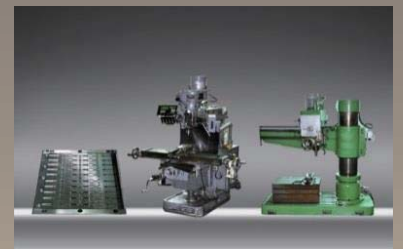


**FASTENING SOLUTIONS.
WE KEEP TOGETHER.**





Welcome to Gecko Fastening Solutions!

Gecko International Co. is a developer, producer and distributor of small, essential components such as Fasteners, Circuit Board Hardware and Metal Spacers.

For 30 years we have paid attention to the construction and production of a wide portfolio, specializing in a variety of applications.

The philosophy of the company is to concentrate on a comprehensive portfolio of products. The highest standard of Quality is imperative, in order to offer innovative tailor-made solutions and to guarantee a fluent supply chain.

Our wide product portfolio consists of circuit board supports, rivets, screws, nuts, feet, damper, rotary damper, LED spacers, cable management, automotive and metal spacers. Furthermore our well trained development team will assist in producing a diverse range of bespoke parts to customer specifications.



Quality philosophy

At Gecko we see ourselves as a manufacturer of high-quality products. We believe in solid workmanship, produced in-house. It is important for us to meet the requirements from the customer and to ensure constant and sustainable success.

Gecko's corporate strategy is based on the philosophy of Quality First, which is firmly established throughout the business and all of its activities.



Our quality principles are guaranteed through

IATF 16949
ISO 9001
ISO 14001
REACH & RoHS

IATF 16949



ISO 9001



ISO 14001



Production

Gecko International Co. is a specialized manufacturer and distributor of plastic Injection Moulded Components. Customer requirements are always achieved through the implementation of modern production facilities and our well trained employees.



PRODUCT SPOTLIGHT

Circuit Board Hardware

P25-169



Dual Locking Spacer, Reverse Locking Spacer, Threaded Spacer, Spacer on Adhesive Base, Round Spacer, Special Spacer

A

Washers and Caps

P170-184



Retaining Washers, Anti-Loss Washers, Distance Washer, Shoulder Washer, Finishing Washer, Cover Cap, Screw Cap

B

Fasteners and Fixings

P185-261



Screws and Nuts, Rivets and Panel Fasteners, Barbed and Push-Fit Fasteners, Special Fasteners and Fixings

C

Cable Ties and Accessories

P262-308



Cable Ties, Cable Tie Holder, Twist Lock, Cable Clamps, Stand-Off Locking Clip

D

Wire Saddles

P309-329



Wire Saddles, Locking, non-locking, Micro Wire Saddle, Blind Hole Mount Wire Saddle, Wire Saddle on Adhesive Base, Fibre Saddle

E

Bushings and Bearings

P330-339



Open Bushes, Closed Bushes, Centering Bushing, Plate Bearing, Grommets, Hole Plugs, Fibre Management

F

LED Hardware

P340-347



LED Spacer, Square LED Spacer, High Temperature Metric LED Spacer

G

PRODUCT SPOTLIGHT

Rotary Damper, Feet & Catches

P348-367

H



Rotary Damper with Gear, Screw on Feet
ABS Damping Feet, Catches and Latches

Automotive

P368-384

I



Blind Rivets, Barbed Push Fasteners,
Screw Rivets, Push Lock Rivets,

Special

P385-392

J



Battery Holder, Tray Clip, Protecting Cap,
Lokut Nut, Clips, Fan Filters

Metal Spacer

P393-415

K



Hex Metal Spacer, Hex Plastic Spacer
with Brass insert, Round Spacer

Tool Design and Construction P416

Raw Material Information P417-419

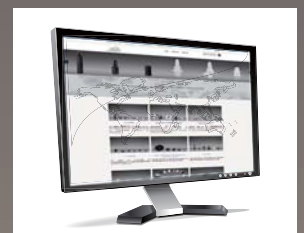
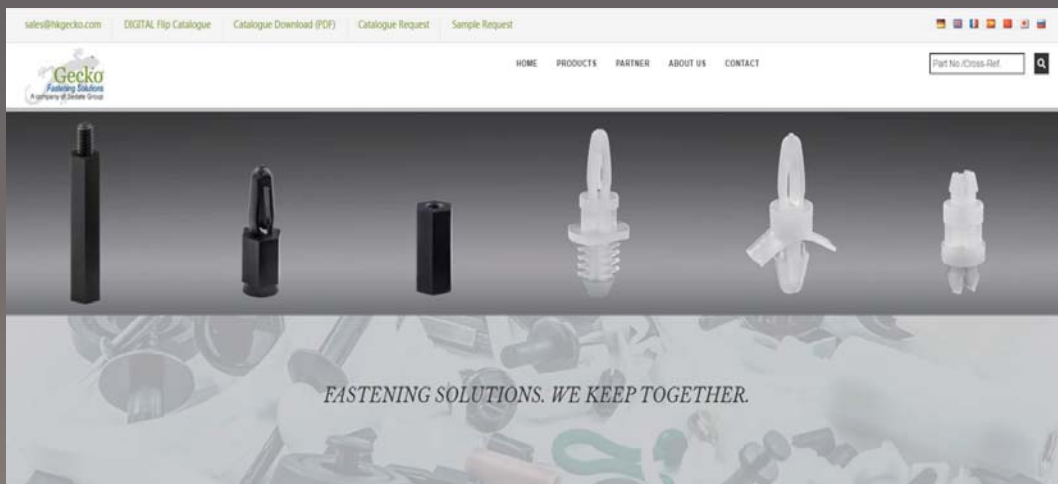
GMS P420-421

Alphabetical Index P422-428



VISIT US ONLINE!

- ➔ Request free samples
- ➔ Easy to find products
- ➔ Get a large range of dimensions and materials to suit your applications



Visit our website today!

www.sucatec.com



**FASTENING SOLUTIONS.
WE KEEP TOGETHER.**

Circuit Board Hardware

Dual Locking Spacer



P25



P26



P26



P26



P27



P28



P29



P29



P30-32



P32



P33-34



P35-36



P37



P37



P38



P39



P39



P40



P41



P41



P42-43



P44-46



P47-49



P50



P51-52



P53-54



P55



P56-57



P58-59



P60



P61



P62-64



P65



P65-66



P67



P67



P68-70



P71

Circuit Board Hardware

Reverse Locking Spacer



P72



P72



P73



P74



P75



P76-77



P78



P79



P79



P80



P81



P82



P83

Circuit Board Hardware

Threaded Spacer



P84-86



P87-89



P90-91



P92



P92



P93



P94



P95-97



P98-99



P100-102



P103



P104-105



P106



P107-108



P109-112



P113



P113



P113



P114



P115-117



P118



P118



P118



P119



P120



P120



P121-125



P126



P126



P126



P127-128



P129



P129

Circuit Board Hardware

Spacer on Adhesive Base



P130



P131



P131



P132



P132



P133



P134

Round Spacer



P135-137



P138



P138



P139

Circuit Board Hardware

Special Spacer



P140



P141-142



P143



P144



P144



P145



P146



P146



P147



P148



P149



P150



P151



P151



P152-155



P156



P157



P157



P158



P158



P159



P159



P160



P160



P161



P161



P161



P162



P162



P163



P163



P164



P164



P165



P165



P166



P166



P167



P167



P168-169

Washers and Caps

Washers and Caps



Fasteners and Fixings

Screws and Nuts



P185-187



P188-189



P189-191



P191-192



P193-194



P195-196



P196-197



P198-199



P200-201



P201



P202



P202



P202



P203



P203



P204



P204-210



P211



P211



P212



P212

Fasteners and Fixings

Rivets and Panel Fasteners



P213-214



P215-217



P218



P218



P219-222



P223-224



P225-226



P227



P228



P229



P230-231



P232



P233



P233



P234



P234



P235



P235



P236



P236



P236



P237



P237



P237



P238



P239



P239



P240-242



P243



P243



P244



P244

Fasteners and Fixings

Barbed and Push-Fit Fasteners



P245



P245



P246



P247



P247



P248



P248



P249



P249



P249



P250



P250



P251

Special Fasteners and Fixings



P252



P252



P252



P253



P253



P254



P255



P255



P256



P256



P256



P257



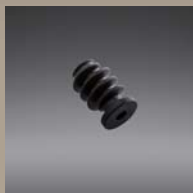
P258



P259



P259



P260



P260



P261

Cable Ties & Accessories

Cable Ties



P262



P262



P262



P263



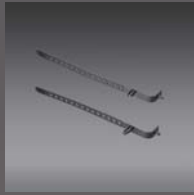
P263



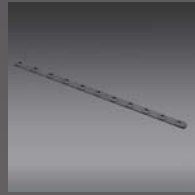
P263



P264



P265



P265



P266

Cable Tie Holder



P267



P267-268



P268



P269



P269



P270



P270



P271



P271



P272



P272



P273



P273



P273



P274-275



P276



P276



P277

Cable Ties & Accessories

Twist Lock



P278



P279



P280



P280



P281-282



P283-284



P285-286



P287



P288



P289-290



P291



P291

Cable Clamps



P292



P293



P293



P294



P294



P295



P295



P296



P296



P297



P297



P298



P299



P300-301



P302-303



P304



P304



P304



P305



P305



P306



P306



P307



P308

Wire Saddles

Wire Saddles



P309



P309



P310



P311-312



P313



P313



P314



P314



P314



P315



P315



P316



P317



P318



P318



P319



P319



P320



P320



P321



P321



P322



P322



P323



P324



P325



P325



P326



P326



P327



P327



P328



P328



P329



P329

Bushings and Bearings

Bushings and Bearings



P330



P330



P331



P331



P331



P332



P332



P332



P333



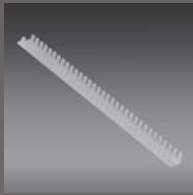
P333



P333



P334



P334



P335



P335



P336



P336



P337



P337

Fibre Management



P338



P338



P339

LED Hardware

LED Hardware



P340-341



P341



P342



P343



P344



P345

High Temperature Metric LED Spacer



P346



P347

Rotary Damper, Feet & Catches

Rotary Damper



P348



P349



P350



P351

Screw on Feet



P352



P353



P354



P354



P355



P356



P356



P356



P357



P358



P359



P360



P360



P361



P361



P362



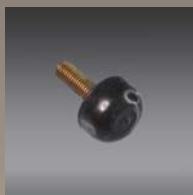
P362



P363



P363



P364

Catches & Latches



P365



P365



P366



P366



P367

Automotive

Blind Rivets



P368



P368-369



P369-370



P370



P371-372

Barbed Push Fasteners



P373



P373



P373



P374



P374



P374

Screw Rivets



P375



P375



P375



P376



P376



P376



P377

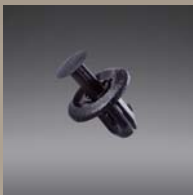


P377



P377

Push Lock Rivets



P378



P378



P378



P379



P379



P379

Automotive

Push Lock Rivets



P380



P380



P380



P381



P381



P381



P382



P382



P382



P383



P383



P383



P384



P384



P384

Special

Special



P385



P385



P385



P386



P387



P387



P388



P388



P388



P389



P389



P390



P390



P390



P391



P391



P391



P392



P392

Metal

Hex Spacer



P393



P394



P395



P396



P397



P398



P399



P400



P401



P402



P403



P404



P405



P406



P407



P408



P409



P410



P411



P412



P413



P414

Round Spacer



P415

DUAL LOCKING SPACER

Locking Circuit Board Support I GLSP11/GTLSP

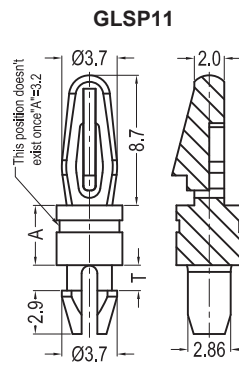


Fig.1

Top Hole: 3.18±0.05mm
Panel Thickness: 1.57mm
Bottom Hole: 3.18±0.05mm
Panel Thickness: See Table

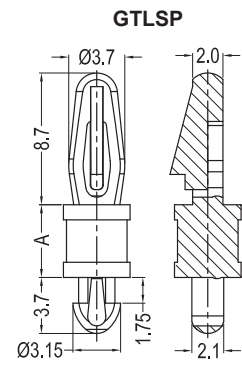
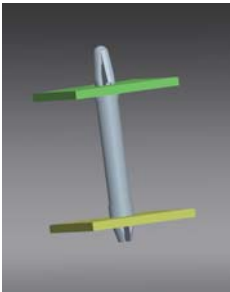


Fig.2

Top Hole: 3.18±0.05mm
Panel Thickness: 1.57mm
Bottom Hole: 2.54±0.05mm
Panel Thickness: 1.63mm

Sizes in mm



P/N.	Article No.	Cross-Ref.	Material	Color	A	T	Bottom Panel Thickness	FIG.	Packing Unit
40907	GLSP11-2-66	LMSP-2-01	PA66 UL94V2	Natural	3.2	1.7	1.57	1	1000
40908	GLSP11-3-66	LMSP-3-01	PA66 UL94V2	Natural	4.8	1.7	1.57	1	1000
40909	GLSP11-4-66	LMSP-4-01	PA66 UL94V2	Natural	6.4	1.7	1.57	1	1000
40910	GLSP11-5-66	LMSP-5-01	PA66 UL94V2	Natural	7.9	1.7	1.57	1	1000
43536	GLSP11-5-1-66	-	PA66 UL94V2	Natural	7.9	2.5	2.36	1	1000
40911	GLSP11-6-66	LMSP-6-01	PA66 UL94V2	Natural	9.5	1.7	1.57	1	1000
40912	GLSP11-7-66	LMSP-7-01	PA66 UL94V2	Natural	11.1	1.7	1.57	1	1000
40913	GLSP11-8-66	LMSP-8-01	PA66 UL94V2	Natural	12.7	1.7	1.57	1	1000
40914	GLSP11-9-66	LMSP-9-01	PA66 UL94V2	Natural	14.3	1.7	1.57	1	1000
40915	GLSP11-10-66	LMSP-10-01	PA66 UL94V2	Natural	15.9	1.7	1.57	1	1000
40916	GLSP11-12-66	LMSP-12-01	PA66 UL94V2	Natural	19.1	1.7	1.57	1	1000
40917	GLSP11-14-66	LMSP-14-01	PA66 UL94V2	Natural	22.2	1.7	1.57	1	1000
42032	GLSP11-2-V0	LMSP-2-19	PA66 UL94V0	Natural	3.2	1.7	1.57	1	1000
42033	GLSP11-3-V0	LMSP-3-19	PA66 UL94V0	Natural	4.8	1.7	1.57	1	1000
42034	GLSP11-4-V0	LMSP-4-19	PA66 UL94V0	Natural	6.4	1.7	1.57	1	1000
42035	GLSP11-5-V0	LMSP-5-19	PA66 UL94V0	Natural	7.9	1.7	1.57	1	1000
43678	GLSP11-5-1-V0	-	PA66 UL94V0	Natural	7.9	2.5	2.36	1	1000
42036	GLSP11-6-V0	LMSP-6-19	PA66 UL94V0	Natural	9.5	1.7	1.57	1	1000
42037	GLSP11-7-V0	LMSP-7-19	PA66 UL94V0	Natural	11.1	1.7	1.57	1	1000
42038	GLSP11-8-V0	LMSP-8-19	PA66 UL94V0	Natural	12.7	1.7	1.57	1	1000
42039	GLSP11-9-V0	LMSP-9-19	PA66 UL94V0	Natural	14.3	1.7	1.57	1	1000
42040	GLSP11-10-V0	LMSP-10-19	PA66 UL94V0	Natural	15.9	1.7	1.57	1	1000
42041	GLSP11-12-V0	LMSP-12-19	PA66 UL94V0	Natural	19.1	1.7	1.57	1	1000
42042	GLSP11-14-V0	LMSP-14-19	PA66 UL94V0	Natural	22.2	1.7	1.57	1	1000
40927	GTLSP-2-66	LCBST-2-01	PA66 UL94V2	Natural	3.2	-	-	2	1000
40928	GTLSP-3-66	LCBST-3-01	PA66 UL94V2	Natural	4.8	-	-	2	1000
40929	GTLSP-4-66	LCBST-4-01	PA66 UL94V2	Natural	6.4	-	-	2	1000
40930	GTLSP-5-66	LCBST-5-01	PA66 UL94V2	Natural	7.9	-	-	2	1000
40931	GTLSP-6-66	LCBST-6-01	PA66 UL94V2	Natural	9.5	-	-	2	1000
40932	GTLSP-7-66	LCBST-7-01	PA66 UL94V2	Natural	11.1	-	-	2	1000
40933	GTLSP-8-66	LCBST-8-01	PA66 UL94V2	Natural	12.7	-	-	2	1000
40934	GTLSP-10-66	LCBST-10-01	PA66 UL94V2	Natural	15.9	-	-	2	1000
42043	GTLSP-2-V0	LCBST-2-19	PA66 UL94V0	Natural	3.2	-	-	2	1000
42044	GTLSP-3-V0	LCBST-3-19	PA66 UL94V0	Natural	4.8	-	-	2	1000
42045	GTLSP-4-V0	LCBST-4-19	PA66 UL94V0	Natural	6.4	-	-	2	1000
42046	GTLSP-5-V0	LCBST-5-19	PA66 UL94V0	Natural	7.9	-	-	2	1000
42047	GTLSP-6-V0	LCBST-6-19	PA66 UL94V0	Natural	9.5	-	-	2	1000
42048	GTLSP-7-V0	LCBST-7-19	PA66 UL94V0	Natural	11.1	-	-	2	1000
42049	GTLSP-8-V0	LCBST-8-19	PA66 UL94V0	Natural	12.7	-	-	2	1000
42050	GTLSP-10-V0	LCBST-10-19	PA66 UL94V0	Natural	15.9	-	-	2	1000

Material: PA66 UL94V2 (GMS-01); PA66 UL94V0 (GMS-02)



sales@sucatec.com

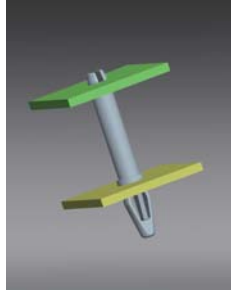


www.sucatec.com

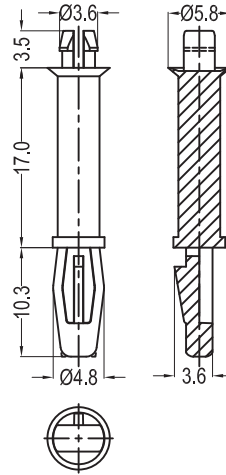
DUAL LOCKING SPACER

Locking Circuit Board Support I GLMSPM

A



GLMSPM



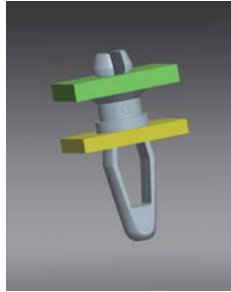
Top Hole: 3.2 ± 0.08 mm
 Panel Thickness: 1.8mm
 Bottom Hole: 4.0 ± 0.08 mm
 Panel Thickness: 1.5mm

Sizes in mm

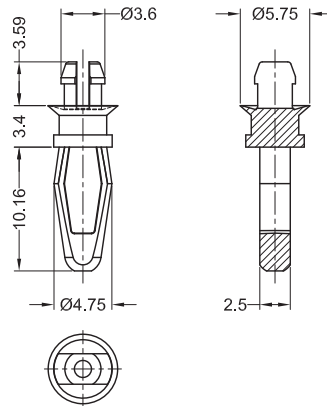
P/N.	Article No.	Material	Color	Packing Unit
40790	GLMSPM-1-17-01	PA66 UL94V2	Natural	1000

Material: PA66 UL94V2 (GMS-01)

Locking Circuit Board Support I GTMSPM



GTMSPM



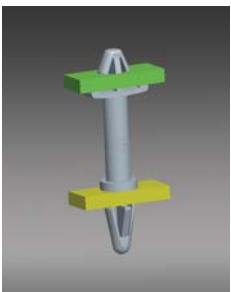
Top Hole: 3.18 ± 0.08 mm
 Panel Thickness: 1.6mm
 Bottom Hole: 3.96 ± 0.08 mm
 Panel Thickness: 1.6mm

Sizes in mm

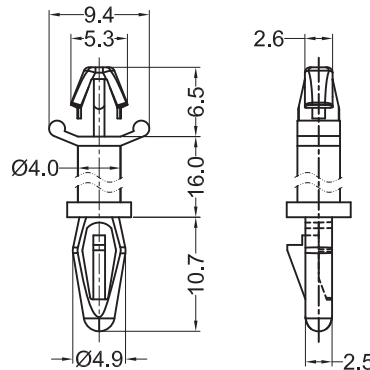
P/N.	Article No.	Material	Color	Packing Unit
43900	GTMSPM-1-3.4-01	PA66 UL94V2	Natural	1000

Material: PA66 UL94V2 (GMS-65)

Locking Circuit Board Support I GLSP16-16M-66



GLSP16-16M-66



Top Hole: 4.0 ± 0.08 mm
 Panel Thickness: 2.4mm
 Bottom Hole: 4.0 ± 0.08 mm
 Panel Thickness: 2.4mm

Sizes in mm

P/N.	Article No.	Material	Color	Packing Unit
43470	GLSP16-16M-66	PA66 UL94V2	Natural	1000

Material: PA66 UL94V2 (GMS-01)

DUAL LOCKING SPACER

Locking Circuit Board Support I GLSP5/GLSP10

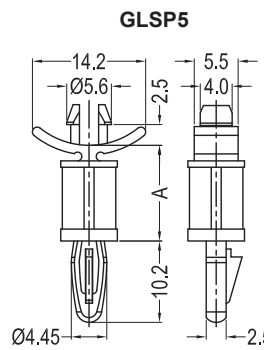


Fig.1

Top Hole: 4.75±0.08mm
Panel Thickness: 0.79-1.98mm
Bottom Hole: 4.0±0.08mm
Panel Thickness: 1.57mm

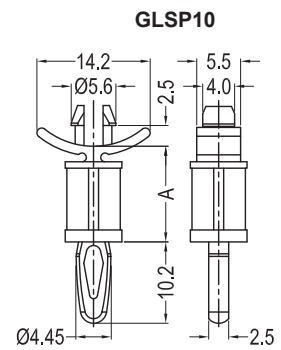


Fig.2

Top Hole: 4.75±0.08mm
Panel Thickness: 0.79-1.98mm
Bottom Hole: 4.0±0.08mm
Panel Thickness: 1.57mm

Sizes in mm

P/N.	Article No.	Cross-Ref.	Material	Color	A	FIG.	Packing Unit
41087	GLSP5-3-66	LCBS-5-3-01	PA66 UL94V2	Natural	4.8	1	1000
41088	GLSP5-4-66	LCBS-5-4-01	PA66 UL94V2	Natural	6.4	1	1000
41089	GLSP5-5-66	LCBS-5-5-01	PA66 UL94V2	Natural	7.9	1	1000
41090	GLSP5-6-66	LCBS-5-6-01	PA66 UL94V2	Natural	9.5	1	1000
41091	GLSP5-7-66	LCBS-5-7-01	PA66 UL94V2	Natural	11.1	1	1000
41092	GLSP5-8-66	LCBS-5-8-01	PA66 UL94V2	Natural	12.7	1	1000
41093	GLSP5-10-66	LCBS-5-10-01	PA66 UL94V2	Natural	15.9	1	1000
41094	GLSP5-12-66	LCBS-5-12-01	PA66 UL94V2	Natural	19.1	1	1000
41095	GLSP5-14-66	LCBS-5-14-01	PA66 UL94V2	Natural	22.2	1	1000
41096	GLSP5-16-66	LCBS-5-16-01	PA66 UL94V2	Natural	25.4	1	1000
41097	GLSP5-18-66	LCBS-5-18-01	PA66 UL94V2	Natural	28.6	1	1000
41098	GLSP5-20-66	LCBS-5-20-01	PA66 UL94V2	Natural	31.7	1	1000
41099	GLSP5-22-66	LCBS-5-22-01	PA66 UL94V2	Natural	34.9	1	1000
42580	GLSP5-3-V0	LCBS-5-3-19	PA66 UL94V0	Natural	4.8	1	1000
42581	GLSP5-4-V0	LCBS-5-4-19	PA66 UL94V0	Natural	6.4	1	1000
42582	GLSP5-5-V0	LCBS-5-5-19	PA66 UL94V0	Natural	7.9	1	1000
42583	GLSP5-6-V0	LCBS-5-6-19	PA66 UL94V0	Natural	9.5	1	1000
42584	GLSP5-7-V0	LCBS-5-7-19	PA66 UL94V0	Natural	11.1	1	1000
42585	GLSP5-8-V0	LCBS-5-8-19	PA66 UL94V0	Natural	12.7	1	1000
42586	GLSP5-10-V0	LCBS-5-10-19	PA66 UL94V0	Natural	15.9	1	1000
42587	GLSP5-12-V0	LCBS-5-12-19	PA66 UL94V0	Natural	19.1	1	1000
42588	GLSP5-14-V0	LCBS-5-14-19	PA66 UL94V0	Natural	22.2	1	1000
42589	GLSP5-16-V0	LCBS-5-16-19	PA66 UL94V0	Natural	25.4	1	1000
42590	GLSP5-18-V0	LCBS-5-18-19	PA66 UL94V0	Natural	28.6	1	1000
42591	GLSP5-20-V0	LCBS-5-20-19	PA66 UL94V0	Natural	31.7	1	1000
42592	GLSP5-22-V0	LCBS-5-22-19	PA66 UL94V0	Natural	34.9	1	1000
40899	GLSP10-3-66	CBS-3-01	PA66 UL94V2	Natural	4.8	2	1000
40900	GLSP10-4-66	CBS-4-01	PA66 UL94V2	Natural	6.4	2	1000
42539	GLSP10-5-66	CBS-5-01	PA66 UL94V2	Natural	7.9	2	1000
40901	GLSP10-6-66	CBS-6-01	PA66 UL94V2	Natural	9.5	2	1000
42540	GLSP10-7-66	CBS-7-01	PA66 UL94V2	Natural	11.1	2	1000
40902	GLSP10-8-66	CBS-8-01	PA66 UL94V2	Natural	12.7	2	1000
40903	GLSP10-10-66	CBS-10-01	PA66 UL94V2	Natural	15.9	2	1000
40904	GLSP10-12-66	CBS-12-01	PA66 UL94V2	Natural	19.1	2	1000
40905	GLSP10-14-66	CBS-14-01	PA66 UL94V2	Natural	22.2	2	1000
42541	GLSP10-16-66	CBS-16-01	PA66 UL94V2	Natural	25.4	2	1000
42542	GLSP10-18-66	CBS-18-01	PA66 UL94V2	Natural	28.6	2	1000
42543	GLSP10-20-66	CBS-20-01	PA66 UL94V2	Natural	31.7	2	1000
42544	GLSP10-22-66	CBS-22-01	PA66 UL94V2	Natural	34.9	2	1000
42025	GLSP10-3-V0	CBS-3-19	PA66 UL94V0	Natural	4.8	2	1000
42026	GLSP10-4-V0	CBS-4-19	PA66 UL94V0	Natural	6.4	2	1000
42556	GLSP10-5-V0	CBS-5-19	PA66 UL94V0	Natural	7.9	2	1000
42027	GLSP10-6-V0	CBS-6-19	PA66 UL94V0	Natural	9.5	2	1000
42557	GLSP10-7-V0	CBS-5-19	PA66 UL94V0	Natural	11.1	2	1000
42028	GLSP10-8-V0	CBS-8-19	PA66 UL94V0	Natural	12.7	2	1000
42029	GLSP10-10-V0	CBS-10-19	PA66 UL94V0	Natural	15.9	2	1000
42030	GLSP10-12-V0	CBS-12-19	PA66 UL94V0	Natural	19.1	2	1000
42031	GLSP10-14-V0	CBS-14-19	PA66 UL94V0	Natural	22.2	2	1000
42558	GLSP10-16-V0	CBS-16-19	PA66 UL94V0	Natural	25.4	2	1000
42559	GLSP10-18-V0	CBS-18-19	PA66 UL94V0	Natural	28.6	2	1000
42560	GLSP10-20-V0	CBS-20-19	PA66 UL94V0	Natural	31.7	2	1000
42561	GLSP10-22-V0	CBS-22-19	PA66 UL94V0	Natural	34.9	2	1000

Material: PA66 UL94V2 (GMS-01); PA66 UL94V0 (GMS-02)



sales@sucatec.com

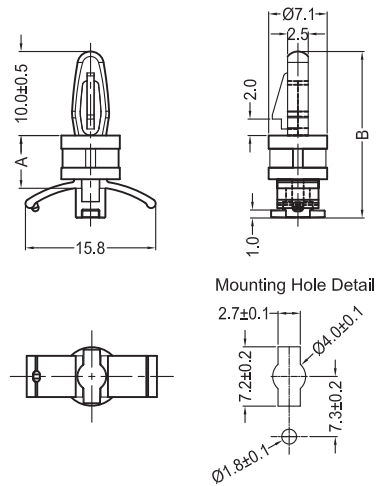
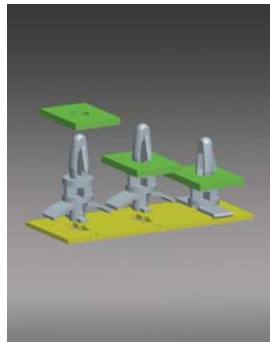


www.sucatec.com

DUAL LOCKING SPACER

Locking Circuit Board Support I GLCBS-9

GLCBS-9



Top Hole: 4.0±0.08mm
Panel Thickness: 1.6mm
Bottom Hole: See Mounting Hole details on drawing
Panel Thickness: 0.8-1.6mm

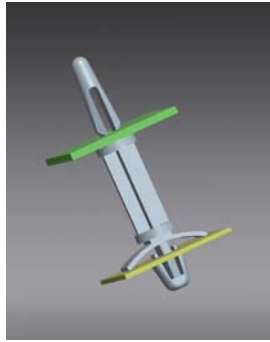
Sizes in mm

P/N.	Article No.	Cross-Ref.	Material	Color	A	B	Packing Unit
43623	GLCBS-9-3-01	LCBS-9-3-01	PA66 UL94V2	Natural	4.8	18.6	1000
43588	GLCBS-9-4-01	LCBS-9-4-01	PA66 UL94V2	Natural	6.4	20.2	1000
43624	GLCBS-9-5-01	LCBS-9-5-01	PA66 UL94V2	Natural	7.9	21.7	1000
43625	GLCBS-9-6-01	LCBS-9-6-01	PA66 UL94V2	Natural	9.5	23.3	1000
43626	GLCBS-9-7-01	LCBS-9-7-01	PA66 UL94V2	Natural	11.1	24.9	1000
43627	GLCBS-9-8-01	LCBS-9-8-01	PA66 UL94V2	Natural	12.7	26.5	1000
43628	GLCBS-9-10-01	LCBS-9-10-01	PA66 UL94V2	Natural	15.9	29.7	1000
43629	GLCBS-9-12-01	LCBS-9-12-01	PA66 UL94V2	Natural	19.1	32.9	1000
43630	GLCBS-9-14-01	LCBS-9-14-01	PA66 UL94V2	Natural	22.2	36.0	1000
43631	GLCBS-9-16-01	LCBS-9-16-01	PA66 UL94V2	Natural	25.4	39.2	1000
43632	GLCBS-9-18-01	LCBS-9-18-01	PA66 UL94V2	Natural	28.6	42.4	1000
43633	GLCBS-9-20-01	LCBS-9-20-01	PA66 UL94V2	Natural	31.8	45.6	1000
43634	GLCBS-9-22-01	LCBS-9-22-01	PA66 UL94V2	Natural	34.9	48.7	1000
43635	GLCBS-9-3-19	LCBS-9-3-19	PA66 UL94V0	Natural	4.8	18.6	1000
43592	GLCBS-9-4-19	LCBS-9-4-19	PA66 UL94V0	Natural	6.4	20.2	1000
43636	GLCBS-9-5-19	LCBS-9-5-19	PA66 UL94V0	Natural	7.9	21.7	1000
43637	GLCBS-9-6-19	LCBS-9-6-19	PA66 UL94V0	Natural	9.5	23.3	1000
43638	GLCBS-9-7-19	LCBS-9-7-19	PA66 UL94V0	Natural	11.1	24.9	1000
43639	GLCBS-9-8-19	LCBS-9-8-19	PA66 UL94V0	Natural	12.7	26.5	1000
43640	GLCBS-9-10-19	LCBS-9-10-19	PA66 UL94V0	Natural	15.9	29.7	1000
43641	GLCBS-9-12-19	LCBS-9-12-19	PA66 UL94V0	Natural	19.1	32.9	1000
43642	GLCBS-9-14-19	LCBS-9-14-19	PA66 UL94V0	Natural	22.2	36.0	1000
43643	GLCBS-9-16-19	LCBS-9-16-19	PA66 UL94V0	Natural	25.4	39.2	1000
43644	GLCBS-9-18-19	LCBS-9-18-19	PA66 UL94V0	Natural	28.6	42.4	1000
43645	GLCBS-9-20-19	LCBS-9-20-19	PA66 UL94V0	Natural	31.8	45.6	1000
43646	GLCBS-9-22-19	LCBS-9-22-19	PA66 UL94V0	Natural	34.9	48.7	1000

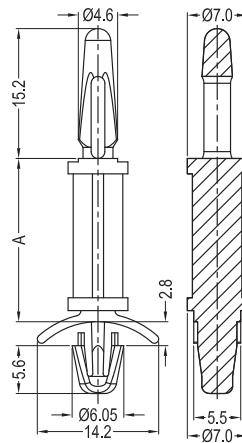
Material: PA66 UL94V2 (GMS-65); PA66 UL94V0 (GMS-49)

DUAL LOCKING SPACER

Locking Circuit Board Support I GLNCBS



GLNCBS



Top Hole: 4.0±0.08mm
Panel Thickness: 1.57mm
Bottom Hole: 4.75±0.08mm
Panel Thickness: 0.79-1.98mm

Sizes in mm

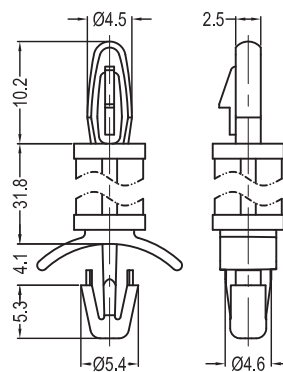
P/N.	Article No.	Cross-Ref.	Material	Color	A	Packing Unit
42516	GLNCBS-3-01	LNCBS-3-01	PA66 UL94V2	Natural	4.8	1000
42494	GLNCBS-4-01	LNCBS-4-01	PA66 UL94V2	Natural	6.4	1000
42517	GLNCBS-6-01	LNCBS-6-01	PA66 UL94V2	Natural	9.5	1000
42518	GLNCBS-8-01	LNCBS-8-01	PA66 UL94V2	Natural	12.7	1000
42519	GLNCBS-10-01	LNCBS-10-01	PA66 UL94V2	Natural	15.9	1000
40975	GLNCBS-12-01	LNCBS-12-01	PA66 UL94V2	Natural	19.1	1000
42520	GLNCBS-14-01	LNCBS-14-01	PA66 UL94V2	Natural	22.2	1000
42521	GLNCBS-3-19	LNCBS-3-19	PA66 UL94V0	Natural	4.8	1000
42522	GLNCBS-4-19	LNCBS-4-19	PA66 UL94V0	Natural	6.4	1000
42523	GLNCBS-6-19	LNCBS-6-19	PA66 UL94V0	Natural	9.5	1000
42524	GLNCBS-8-19	LNCBS-8-19	PA66 UL94V0	Natural	12.7	1000
42525	GLNCBS-10-19	LNCBS-10-19	PA66 UL94V0	Natural	15.9	1000
42526	GLNCBS-12-19	LNCBS-12-19	PA66 UL94V0	Natural	19.1	1000
42527	GLNCBS-14-19	LNCBS-14-19	PA66 UL94V0	Natural	22.2	1000

Material: PA66 UL94V2 (GMS-01); PA66 UL94V0 (GMS-02)

Locking Circuit Board Support II GDE09-0195



GDE09-0195



Top Hole: 4.0±0.08mm
Panel Thickness: 3.2mm
Bottom Hole: 4.8±0.08mm
Panel Thickness: 2.0-3.2mm

Sizes in mm

P/N.	Article No.	Cross-Ref.	Material	Color	Packing Unit
42120	GDE09-0195	DE09-0195	PA66 UL94V0	Natural	1000

Material: PA66 UL94V0 (GMS-49)



DUAL LOCKING SPACER

Locking Circuit Board Support II GLSP2/3/6

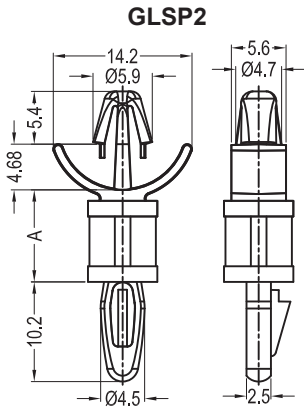


Fig.1

Top Hole: 4.75±0.08mm
Panel Thickness: 1.98-3.56mm
Bottom Hole: 4.0±0.08mm
Panel Thickness: 1.57mm

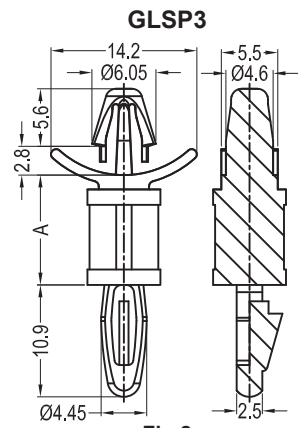


Fig.2

Top Hole: 4.75±0.08mm
Panel Thickness: 0.79-1.98mm
Bottom Hole: 4.0±0.08mm
Panel Thickness: 2.36mm

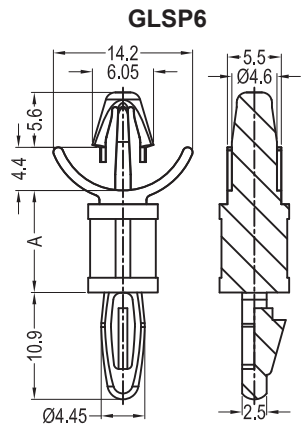


Fig.3

Top Hole: 4.75±0.08mm
Panel Thickness: 1.98-3.56mm
Bottom Hole: 4.0±0.08mm
Panel Thickness: 2.36mm

Sizes in mm

P/N.	Article No.	Cross-Ref.	Material	Color	A	FIG.	Packing Unit
40360	GLSP2-3-66	LCBS-2-3-01	PA66 UL94V2	Natural	4.8	1	1000
40361	GLSP2-4-66	LCBS-2-4-01	PA66 UL94V2	Natural	6.4	1	1000
40362	GLSP2-5-66	LCBS-2-5-01	PA66 UL94V2	Natural	7.9	1	1000
40363	GLSP2-6-66	LCBS-2-6-01	PA66 UL94V2	Natural	9.5	1	1000
40364	GLSP2-7-66	LCBS-2-7-01	PA66 UL94V2	Natural	11.1	1	1000
40365	GLSP2-8-66	LCBS-2-8-01	PA66 UL94V2	Natural	12.7	1	1000
40367	GLSP2-10-66	LCBS-2-10-01	PA66 UL94V2	Natural	15.9	1	1000
40368	GLSP2-12-66	LCBS-2-12-01	PA66 UL94V2	Natural	19.1	1	1000
40369	GLSP2-14-66	LCBS-2-14-01	PA66 UL94V2	Natural	22.2	1	1000
40370	GLSP2-16-66	LCBS-2-16-01	PA66 UL94V2	Natural	25.4	1	1000
40371	GLSP2-18-66	LCBS-2-18-01	PA66 UL94V2	Natural	28.6	1	1000
40372	GLSP2-20-66	LCBS-2-20-01	PA66 UL94V2	Natural	31.7	1	1000
40373	GLSP2-22-66	LCBS-2-22-01	PA66 UL94V2	Natural	34.9	1	1000
41474	GLSP2-3-V0	LCBS-2-3-19	PA66 UL94V0	Natural	4.8	1	1000
41475	GLSP2-4-V0	LCBS-2-4-19	PA66 UL94V0	Natural	6.4	1	1000
41476	GLSP2-5-V0	LCBS-2-5-19	PA66 UL94V0	Natural	7.9	1	1000
41477	GLSP2-6-V0	LCBS-2-6-19	PA66 UL94V0	Natural	9.5	1	1000
41478	GLSP2-7-V0	LCBS-2-7-19	PA66 UL94V0	Natural	11.1	1	1000
40366	GLSP2-8-V0	LCBS-2-8-19	PA66 UL94V0	Natural	12.7	1	1000
41479	GLSP2-10-V0	LCBS-2-10-19	PA66 UL94V0	Natural	15.9	1	1000
41480	GLSP2-12-V0	LCBS-2-12-19	PA66 UL94V0	Natural	19.1	1	1000
41481	GLSP2-14-V0	LCBS-2-14-19	PA66 UL94V0	Natural	22.2	1	1000
41482	GLSP2-16-V0	LCBS-2-16-19	PA66 UL94V0	Natural	25.4	1	1000
41483	GLSP2-18-V0	LCBS-2-18-19	PA66 UL94V0	Natural	28.6	1	1000
41484	GLSP2-20-V0	LCBS-2-20-19	PA66 UL94V0	Natural	31.7	1	1000
41485	GLSP2-22-V0	LCBS-2-22-19	PA66 UL94V0	Natural	34.9	1	1000
40935	GLSP3-3-66	LCBS-3-3-01	PA66 UL94V2	Natural	4.8	2	1000
40936	GLSP3-4-66	LCBS-3-4-01	PA66 UL94V2	Natural	6.4	2	1000
40937	GLSP3-5-66	LCBS-3-5-01	PA66 UL94V2	Natural	7.9	2	1000
40938	GLSP3-6-66	LCBS-3-6-01	PA66 UL94V2	Natural	9.5	2	1000
40939	GLSP3-7-66	LCBS-3-7-01	PA66 UL94V2	Natural	11.1	2	1000
40940	GLSP3-8-66	LCBS-3-8-01	PA66 UL94V2	Natural	12.7	2	1000
40941	GLSP3-10-66	LCBS-3-10-01	PA66 UL94V2	Natural	15.9	2	1000
40942	GLSP3-12-66	LCBS-3-12-01	PA66 UL94V2	Natural	19.1	2	1000
40943	GLSP3-14-66	LCBS-3-14-01	PA66 UL94V2	Natural	22.2	2	1000
40944	GLSP3-16-66	LCBS-3-16-01	PA66 UL94V2	Natural	25.4	2	1000
40945	GLSP3-18-66	LCBS-3-18-01	PA66 UL94V2	Natural	28.6	2	1000
40946	GLSP3-20-66	LCBS-3-20-01	PA66 UL94V2	Natural	31.7	2	1000
40947	GLSP3-22-66	LCBS-3-22-01	PA66 UL94V2	Natural	34.9	2	1000

Material: PA66 UL94V2 (GMS-01); PA66 UL94V0 (GMS-02)



DUAL LOCKING SPACER

Locking Circuit Board Support II GLSP2/3/6



A

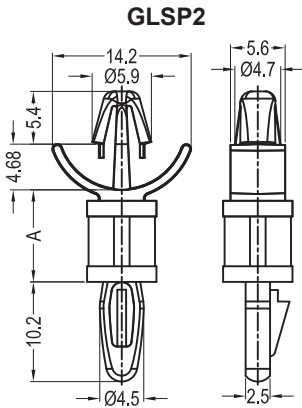


Fig.1

Top Hole: 4.75±0.08mm
Panel Thickness: 1.98-3.56mm
Bottom Hole: 4.0±0.08mm
Panel Thickness: 1.57mm

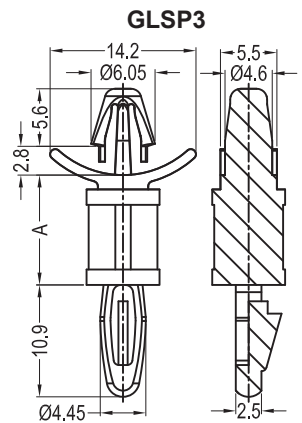


Fig.2

Top Hole: 4.75±0.08mm
Panel Thickness: 0.79-1.98mm
Bottom Hole: 4.0±0.08mm
Panel Thickness: 2.36mm

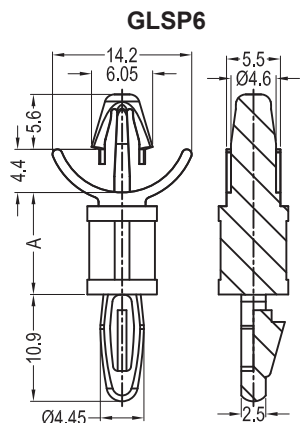


Fig.3

Top Hole: 4.75±0.08mm
Panel Thickness: 1.98-3.56mm
Bottom Hole: 4.0±0.08mm
Panel Thickness: 2.36mm

Sizes in mm

P/N.	Article No.	Cross-Ref.	Material	Color	A	FIG.	Packing Unit
41544	GLSP3-3-V0	LCBS-3-3-19	PA66 UL94V0	Natural	4.8	2	1000
41545	GLSP3-4-V0	LCBS-3-4-19	PA66 UL94V0	Natural	6.4	2	1000
41546	GLSP3-5-V0	LCBS-3-5-19	PA66 UL94V0	Natural	7.9	2	1000
41547	GLSP3-6-V0	LCBS-3-6-19	PA66 UL94V0	Natural	9.5	2	1000
41548	GLSP3-7-V0	LCBS-3-7-19	PA66 UL94V0	Natural	11.1	2	1000
41549	GLSP3-8-V0	LCBS-3-8-19	PA66 UL94V0	Natural	12.7	2	1000
41550	GLSP3-10-V0	LCBS-3-10-19	PA66 UL94V0	Natural	15.9	2	1000
41551	GLSP3-12-V0	LCBS-3-12-19	PA66 UL94V0	Natural	19.1	2	1000
41552	GLSP3-14-V0	LCBS-3-14-19	PA66 UL94V0	Natural	22.2	2	1000
41553	GLSP3-16-V0	LCBS-3-16-19	PA66 UL94V0	Natural	25.4	2	1000
41554	GLSP3-18-V0	LCBS-3-18-19	PA66 UL94V0	Natural	28.6	2	1000
41555	GLSP3-20-V0	LCBS-3-20-19	PA66 UL94V0	Natural	31.7	2	1000
41556	GLSP3-22-V0	LCBS-3-22-19	PA66 UL94V0	Natural	34.9	2	1000
40948	GLSP6-3-66	LCBS-6-3-01	PA66 UL94V2	Natural	4.8	3	1000
40949	GLSP6-4-66	LCBS-6-4-01	PA66 UL94V2	Natural	6.4	3	1000
40950	GLSP6-5-66	LCBS-6-5-01	PA66 UL94V2	Natural	7.9	3	1000
40951	GLSP6-6-66	LCBS-6-6-01	PA66 UL94V2	Natural	9.5	3	1000
40952	GLSP6-7-66	LCBS-6-7-01	PA66 UL94V2	Natural	11.1	3	1000
40953	GLSP6-8-66	LCBS-6-8-01	PA66 UL94V2	Natural	12.7	3	1000
40954	GLSP6-10-66	LCBS-6-10-01	PA66 UL94V2	Natural	15.9	3	1000
40955	GLSP6-12-66	LCBS-6-12-01	PA66 UL94V2	Natural	19.1	3	1000
40956	GLSP6-14-66	LCBS-6-14-01	PA66 UL94V2	Natural	22.2	3	1000
40957	GLSP6-16-66	LCBS-6-16-01	PA66 UL94V2	Natural	25.4	3	1000
40958	GLSP6-18-66	LCBS-6-18-01	PA66 UL94V2	Natural	28.6	3	1000
40959	GLSP6-20-66	LCBS-6-20-01	PA66 UL94V2	Natural	31.7	3	1000
40960	GLSP6-22-66	LCBS-6-22-01	PA66 UL94V2	Natural	34.9	3	1000
42495	GLSP6-3-V0	LCBS-6-3-19	PA66 UL94V0	Natural	4.8	3	1000
42496	GLSP6-4-V0	LCBS-6-4-19	PA66 UL94V0	Natural	6.4	3	1000
42497	GLSP6-5-V0	LCBS-6-5-19	PA66 UL94V0	Natural	7.9	3	1000
42498	GLSP6-6-V0	LCBS-6-6-19	PA66 UL94V0	Natural	9.5	3	1000
42499	GLSP6-7-V0	LCBS-6-7-19	PA66 UL94V0	Natural	11.1	3	1000
42500	GLSP6-8-V0	LCBS-6-8-19	PA66 UL94V0	Natural	12.7	3	1000
42501	GLSP6-10-V0	LCBS-6-10-19	PA66 UL94V0	Natural	15.9	3	1000
42502	GLSP6-12-V0	LCBS-6-12-19	PA66 UL94V0	Natural	19.1	3	1000
42503	GLSP6-14-V0	LCBS-6-14-19	PA66 UL94V0	Natural	22.2	3	1000
42504	GLSP6-16-V0	LCBS-6-16-19	PA66 UL94V0	Natural	25.4	3	1000
42505	GLSP6-18-V0	LCBS-6-18-19	PA66 UL94V0	Natural	28.6	3	1000
42506	GLSP6-20-V0	LCBS-6-20-19	PA66 UL94V0	Natural	31.7	3	1000
42507	GLSP6-22-V0	LCBS-6-22-19	PA66 UL94V0	Natural	34.9	3	1000

Material: PA66 UL94V2 (GMS-01); PA66 UL94V0 (GMS-02)



sales@sucatec.com



www.sucatec.com

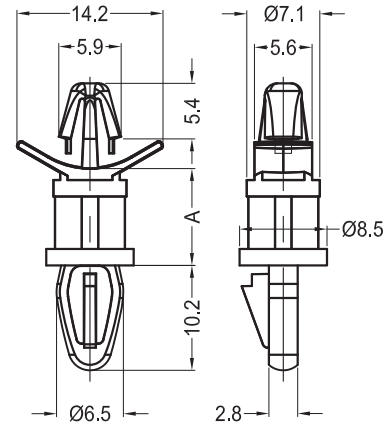
DUAL LOCKING SPACER

Locking Circuit Board Support II GLSP13-8

A



GLSP13-8



Top Hole: 4.75±0.08mm
Panel Thickness: 0.79-1.98mm
Bottom Hole: 6.0±0.8mm
Panel Thickness: 1.57mm

Sizes in mm

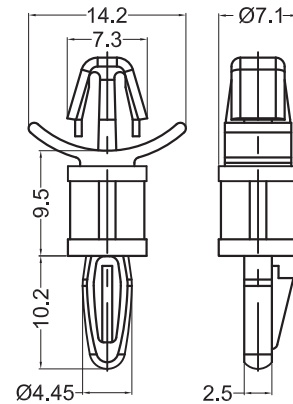
P/N.	Article No.	Material	Color	A	Packing Unit
42469	GLSP13-8-66	PA66 UL94V2	Natural	12.7	1000
42468	GLSP13-8-V0	PA66 UL94V0	Natural	12.7	1000

Material: PA66 UL94V2 (GMS-01); PA66 UL94V0 (GMS-02)

Locking Circuit Board Support II GLSP15-6-66



GLSP15-6-66



Top Hole: □ 6.0±0.08mm
Panel Thickness: 0.79-1.98mm
Bottom Hole: 4.0±0.08mm
Panel Thickness: 1.57mm

Sizes in mm

P/N.	Article No.	Material	Color	Packing Unit
42617	GLSP15-6-66	PA66 UL94V2	Natural	1000

Material: PA66 UL94V2 (GMS-01)

DUAL LOCKING SPACER

Locking Circuit Board Support II GLSP1/4

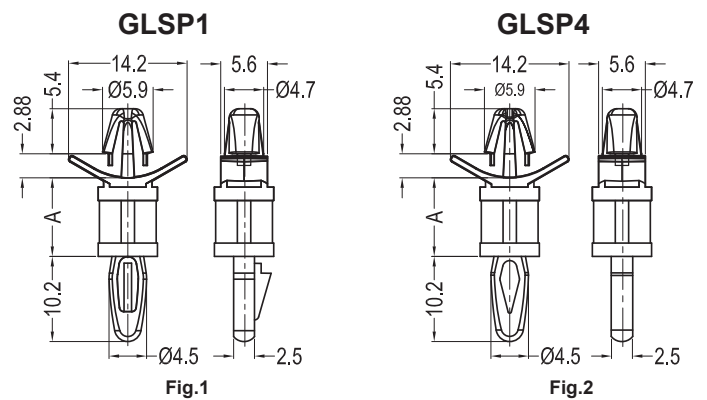


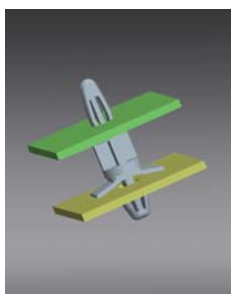
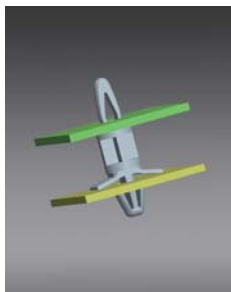
Fig.1
 Top Hole: 4.75±0.08mm
 Panel Thickness: 0.79-1.98mm
 Bottom Hole: 4.0±0.08mm
 Panel Thickness: 1.57mm

Fig.2
 Top Hole: 4.75±0.08mm
 Panel Thickness: 0.79-1.98mm
 Bottom Hole: 4.0±0.08mm
 Panel Thickness: 1.57mm

Sizes in mm

P/N.	Article No.	Cross-Ref.	Material	Color	A	FIG.	Packing Unit
40039	GLSP1-12-HT	LCBS-12-HT	PEI UL94V0	Black	19.1	1	1000
40040	GLSP1-14-HT	LCBS-14-HT	PEI UL94V0	Black	22.2	1	1000
40041	GLSP1-16-HT	LCBS-16-HT	PEI UL94V0	Black	25.4	1	1000
40042	GLSP1-18-HT	LCBS-18-HT	PEI UL94V0	Black	28.6	1	1000
40346	GLSP1-3-66	LCBS-3-01	PA66 UL94V2	Natural	4.8	1	1000
42056	GLSP1-6M-66	LCBS-6M-01	PA66 UL94V2	Natural	6.0	1	1000
40347	GLSP1-4-66	LCBS-4-01	PA66 UL94V2	Natural	6.4	1	1000
40348	GLSP1-5-66	LCBS-5-01	PA66 UL94V2	Natural	7.9	1	1000
40764	GLSP1-8M-66	LCBS-8M-01	PA66 UL94V2	Natural	8.0	1	1000
40349	GLSP1-6-66	LCBS-6-01	PA66 UL94V2	Natural	9.5	1	1000
42058	GLSP1-10M-66	LCBS-10M-01	PA66 UL94V2	Natural	10.0	1	1000
40351	GLSP1-7-66	LCBS-7-01	PA66 UL94V2	Natural	11.1	1	1000
42059	GLSP1-12M-66	LCBS-12M-01	PA66 UL94V2	Natural	12.0	1	1000
40352	GLSP1-8-66	LCBS-8-01	PA66 UL94V2	Natural	12.7	1	1000
42060	GLSP1-14M-66	LCBS-14M-01	PA66 UL94V2	Natural	14.0	1	1000
40353	GLSP1-10-66	LCBS-10-01	PA66 UL94V2	Natural	15.9	1	1000
41288	GLSP1-16M-66	LCBS-16M-01	PA66 UL94V2	Natural	16.0	1	1000
40354	GLSP1-12-66	LCBS-12-01	PA66 UL94V2	Natural	19.1	1	1000
40355	GLSP1-14-66	LCBS-14-01	PA66 UL94V2	Natural	22.2	1	1000
40356	GLSP1-16-66	LCBS-16-01	PA66 UL94V2	Natural	25.4	1	1000
40357	GLSP1-18-66	LCBS-18-01	PA66 UL94V2	Natural	28.6	1	1000
40358	GLSP1-20-66	LCBS-20-01	PA66 UL94V2	Natural	31.7	1	1000
40359	GLSP1-22-66	LCBS-22-01	PA66 UL94V2	Natural	34.9	1	1000
41462	GLSP1-3-V0	LCBS-3-19	PA66 UL94V0	Natural	4.8	1	1000
42289	GLSP1-6M-V0	-	PA66 UL94V0	Natural	6.0	1	1000
41463	GLSP1-4-V0	LCBS-4-19	PA66 UL94V0	Natural	6.4	1	1000
41464	GLSP1-5-V0	LCBS-5-19	PA66 UL94V0	Natural	7.9	1	1000
42293	GLSP1-8M-V0	-	PA66 UL94V0	Natural	8.0	1	1000
40350	GLSP1-6-V0	LCBS-6-19	PA66 UL94V0	Natural	9.5	1	1000
42290	GLSP1-10M-V0	-	PA66 UL94V0	Natural	10.0	1	1000
41465	GLSP1-7-V0	LCBS-7-19	PA66 UL94V0	Natural	11.1	1	1000
42291	GLSP1-12M-V0	-	PA66 UL94V0	Natural	12.0	1	1000
41466	GLSP1-8-V0	LCBS-8-19	PA66 UL94V0	Natural	12.7	1	1000
42292	GLSP1-14M-V0	-	PA66 UL94V0	Natural	14.0	1	1000
41467	GLSP1-10-V0	LCBS-10-19	PA66 UL94V0	Natural	15.9	1	1000
42294	GLSP1-16M-V0	-	PA66 UL94V0	Natural	16.0	1	1000
41468	GLSP1-12-V0	LCBS-12-19	PA66 UL94V0	Natural	19.1	1	1000
41469	GLSP1-14-V0	LCBS-14-19	PA66 UL94V0	Natural	22.2	1	1000
41470	GLSP1-16-V0	LCBS-16-19	PA66 UL94V0	Natural	25.4	1	1000
41471	GLSP1-18-V0	LCBS-18-19	PA66 UL94V0	Natural	28.6	1	1000

Material: PEI UL94V0 (GMS-04); PA66 UL94V2 (GMS-01); PA66 UL94V0 (GMS-02)



DUAL LOCKING SPACER

Locking Circuit Board Support II GLSP1/4

A

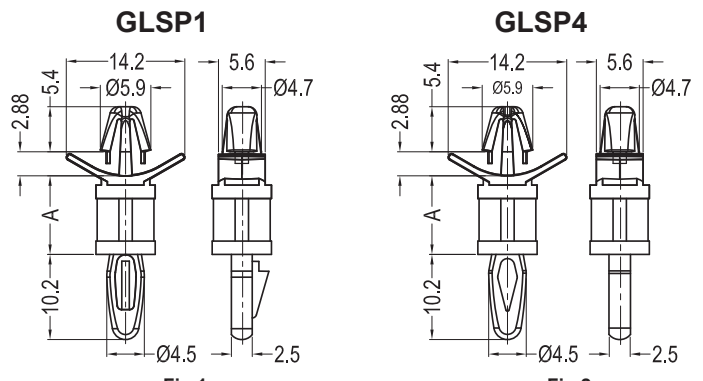


Fig.1
 Top Hole: 4.75±0.08mm
 Panel Thickness: 0.79-1.98mm
 Bottom Hole: 4.0±0.08mm
 Panel Thickness: 1.57mm

Fig.2
 Top Hole: 4.75±0.08mm
 Panel Thickness: 0.79-1.98mm
 Bottom Hole: 4.0±0.08mm
 Panel Thickness: 1.57mm

Sizes in mm

P/N.	Article No.	Cross-Ref.	Material	Color	A	FIG.	Packing Unit
41472	GLSP1-20-V0	LCBS-20-19	PA66 UL94V0	Natural	31.7	1	1000
41473	GLSP1-22-V0	LCBS-22-19	PA66 UL94V0	Natural	34.9	1	1000
40374	GLSP4-3-66	LCBS-4-3-01	PA66 UL94V2	Natural	4.8	2	1000
42533	GLSP4-6M-66	LCBS-4-6M-01	PA66 UL94V2	Natural	6.0	2	1000
40375	GLSP4-4-66	LCBS-4-4-01	PA66 UL94V2	Natural	6.4	2	1000
40377	GLSP4-5-66	LCBS-4-5-01	PA66 UL94V2	Natural	7.9	2	1000
42534	GLSP4-8M-66	LCBS-4-8M-01	PA66 UL94V2	Natural	8.0	2	1000
40378	GLSP4-6-66	LCBS-4-6-01	PA66 UL94V2	Natural	9.5	2	1000
42535	GLSP4-10M-66	LCBS-4-10M-01	PA66 UL94V2	Natural	10.0	2	1000
40379	GLSP4-7-66	LCBS-4-7-01	PA66 UL94V2	Natural	11.1	2	1000
42536	GLSP4-12M-66	LCBS-4-12M-01	PA66 UL94V2	Natural	12.0	2	1000
40380	GLSP4-8-66	LCBS-4-8-01	PA66 UL94V2	Natural	12.7	2	1000
42537	GLSP4-14M-66	LCBS-4-14M-01	PA66 UL94V2	Natural	14.0	2	1000
40381	GLSP4-10-66	LCBS-4-10-01	PA66 UL94V2	Natural	15.9	2	1000
42538	GLSP4-16M-66	LCBS-4-16M-01	PA66 UL94V2	Natural	16.0	2	1000
40382	GLSP4-12-66	LCBS-4-12-01	PA66 UL94V2	Natural	19.1	2	1000
40383	GLSP4-14-66	LCBS-4-14-01	PA66 UL94V2	Natural	22.2	2	1000
40384	GLSP4-16-66	LCBS-4-16-01	PA66 UL94V2	Natural	25.4	2	1000
40385	GLSP4-18-66	LCBS-4-18-01	PA66 UL94V2	Natural	28.6	2	1000
40386	GLSP4-20-66	LCBS-4-20-01	PA66 UL94V2	Natural	31.7	2	1000
40387	GLSP4-22-66	LCBS-4-22-01	PA66 UL94V2	Natural	34.9	2	1000
42663	GLSP4-3-V0	LCBS-4-3-19	PA66 UL94V0	Natural	4.8	2	1000
42675	GLSP4-6M-V0	-	PA66 UL94V0	Natural	6.0	2	1000
40376	GLSP4-4-V0	LCBS-4-4-19	PA66 UL94V0	Natural	6.4	2	1000
42664	GLSP4-5-V0	LCBS-4-5-19	PA66 UL94V0	Natural	7.9	2	1000
42676	GLSP4-8M-V0	-	PA66 UL94V0	Natural	8.0	2	1000
42665	GLSP4-6-V0	LCBS-4-6-19	PA66 UL94V0	Natural	9.5	2	1000
42677	GLSP4-10M-V0	-	PA66 UL94V0	Natural	10.0	2	1000
42666	GLSP4-7-V0	LCBS-4-7-19	PA66 UL94V0	Natural	11.1	2	1000
42678	GLSP4-12M-V0	-	PA66 UL94V0	Natural	12.0	2	1000
42667	GLSP4-8-V0	LCBS-4-8-19	PA66 UL94V0	Natural	12.7	2	1000
42679	GLSP4-14M-V0	-	PA66 UL94V0	Natural	14.0	2	1000
42668	GLSP4-10-V0	LCBS-4-10-19	PA66 UL94V0	Natural	15.9	2	1000
42680	GLSP4-16M-V0	-	PA66 UL94V0	Natural	16.0	2	1000
42669	GLSP4-12-V0	LCBS-4-12-19	PA66 UL94V0	Natural	19.1	2	1000
42670	GLSP4-14-V0	LCBS-4-14-19	PA66 UL94V0	Natural	22.2	2	1000
42671	GLSP4-16-V0	LCBS-4-16-19	PA66 UL94V0	Natural	25.4	2	1000
42672	GLSP4-18-V0	LCBS-4-18-19	PA66 UL94V0	Natural	28.6	2	1000
42673	GLSP4-20-V0	LCBS-4-20-19	PA66 UL94V0	Natural	31.7	2	1000
42674	GLSP4-22-V0	LCBS-4-22-19	PA66 UL94V0	Natural	34.9	2	1000

Material: PA66 UL94V2 (GMS-01); PA66 UL94V0 (GMS-02)



DUAL LOCKING SPACER

Locking Circuit Board Support II GLSP7/8/9

GLSP7

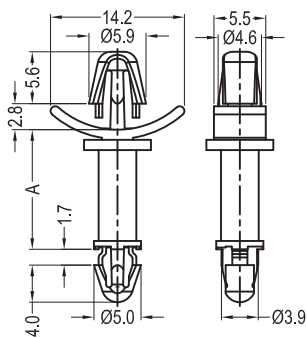


Fig.1

Top Hole: 4.75±0.08mm
Panel Thickness: 0.79-1.98mm
Bottom Hole: 4.0±0.08mm
Panel Thickness: 1.6mm

GLSP8

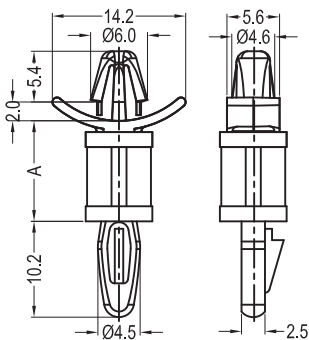


Fig.2

Top Hole: 4.75±0.08mm
Panel Thickness: 0.2-1.4mm
Bottom Hole: 4.0±0.08mm
Panel Thickness: 1.57mm

GLSP9

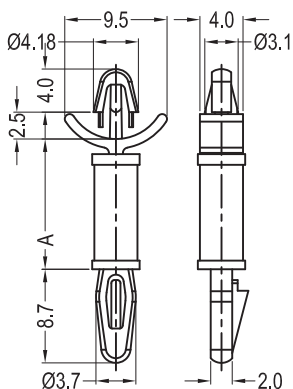
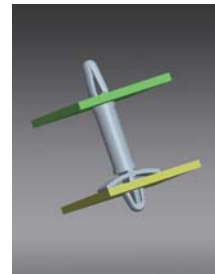
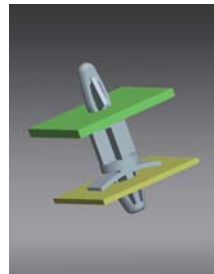


Fig.3

Top Hole: 3.18±0.05mm
Panel Thickness: 0.79-1.98mm
Bottom Hole: 3.18±0.05mm
Panel Thickness: 1.57mm



Sizes in mm

P/N.	Article No.	Cross-Ref.	Material	Color	A	FIG.	Packing Unit
43600	GLSP7-2-66	-	PA66 UL94V2	Natural	3.2	1	1000
41100	GLSP7-3-66	LCBS-7-3-01	PA66 UL94V2	Natural	4.8	1	1000
41101	GLSP7-4-66	LCBS-7-4-01	PA66 UL94V2	Natural	6.4	1	1000
41102	GLSP7-5-66	LCBS-7-5-01	PA66 UL94V2	Natural	7.9	1	1000
41103	GLSP7-6-66	LCBS-7-6-01	PA66 UL94V2	Natural	9.5	1	1000
41104	GLSP7-7-66	LCBS-7-7-01	PA66 UL94V2	Natural	11.1	1	1000
41105	GLSP7-8-66	LCBS-7-8-01	PA66 UL94V2	Natural	12.7	1	1000
43602	GLSP7-9-66	-	PA66 UL94V2	Natural	14.3	1	1000
41106	GLSP7-10-66	LCBS-7-10-01	PA66 UL94V2	Natural	15.9	1	1000
43603	GLSP7-11-66	-	PA66 UL94V2	Natural	17.5	1	1000
41107	GLSP7-12-66	LCBS-7-12-01	PA66 UL94V2	Natural	19.1	1	1000
43604	GLSP7-13-66	-	PA66 UL94V2	Natural	20.6	1	1000
41108	GLSP7-14-66	LCBS-7-14-01	PA66 UL94V2	Natural	22.2	1	1000
43605	GLSP7-15-66	-	PA66 UL94V2	Natural	23.8	1	1000
41109	GLSP7-16-66	LCBS-7-16-01	PA66 UL94V2	Natural	25.4	1	1000
43606	GLSP7-17-66	-	PA66 UL94V2	Natural	27.0	1	1000
41110	GLSP7-18-66	LCBS-7-18-01	PA66 UL94V2	Natural	28.6	1	1000
43607	GLSP7-19-66	-	PA66 UL94V2	Natural	30.1	1	1000
41111	GLSP7-20-66	LCBS-7-20-01	PA66 UL94V2	Natural	31.7	1	1000
43608	GLSP7-21-66	-	PA66 UL94V2	Natural	33.3	1	1000
41112	GLSP7-22-66	LCBS-7-22-01	PA66 UL94V2	Natural	34.9	1	1000
43601	GLSP7-2-V0	-	PA66 UL94V0	Natural	3.2	1	1000
41593	GLSP7-3-V0	LCBS-7-3-19	PA66 UL94V0	Natural	4.8	1	1000
41594	GLSP7-4-V0	LCBS-7-4-19	PA66 UL94V0	Natural	6.4	1	1000
41595	GLSP7-5-V0	LCBS-7-5-19	PA66 UL94V0	Natural	7.9	1	1000
41596	GLSP7-6-V0	LCBS-7-6-19	PA66 UL94V0	Natural	9.5	1	1000
41597	GLSP7-7-V0	LCBS-7-7-19	PA66 UL94V0	Natural	11.1	1	1000
41598	GLSP7-8-V0	LCBS-7-8-19	PA66 UL94V0	Natural	12.7	1	1000
43609	GLSP7-9-V0	-	PA66 UL94V0	Natural	14.3	1	1000
41599	GLSP7-10-V0	LCBS-7-10-19	PA66 UL94V0	Natural	15.9	1	1000
43610	GLSP7-11-V0	-	PA66 UL94V0	Natural	17.5	1	1000
41600	GLSP7-12-V0	LCBS-7-12-19	PA66 UL94V0	Natural	19.1	1	1000
43611	GLSP7-13-V0	-	PA66 UL94V0	Natural	20.6	1	1000
41601	GLSP7-14-V0	LCBS-7-14-19	PA66 UL94V0	Natural	22.2	1	1000
43612	GLSP7-15-V0	-	PA66 UL94V0	Natural	23.8	1	1000
41602	GLSP7-16-V0	LCBS-7-16-19	PA66 UL94V0	Natural	25.4	1	1000
43613	GLSP7-17-V0	-	PA66 UL94V0	Natural	27.0	1	1000
41603	GLSP7-18-V0	LCBS-7-18-19	PA66 UL94V0	Natural	28.6	1	1000
43614	GLSP7-19-V0	-	PA66 UL94V0	Natural	30.1	1	1000
41604	GLSP7-20-V0	LCBS-7-20-19	PA66 UL94V0	Natural	31.7	1	1000
43615	GLSP7-21-V0	-	PA66 UL94V0	Natural	33.3	1	1000
41605	GLSP7-22-V0	LCBS-7-22-19	PA66 UL94V0	Natural	34.9	1	1000
40388	GLSP8-3-66	LCBS-8-3-01	PA66 UL94V2	Natural	4.8	2	1000

Material: PA66 UL94V2 (GMS-01); PA66 UL94V0 (GMS-02)



sales@sucatec.com



www.sucatec.com

DUAL LOCKING SPACER

Locking Circuit Board Support II GLSP7/8/9

A

GLSP7

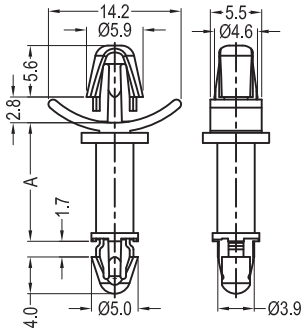


Fig.1

Top Hole: 4.75±0.08mm
Panel Thickness: 0.79-1.98mm
Bottom Hole: 4.0±0.08mm
Panel Thickness: 1.6mm

GLSP8

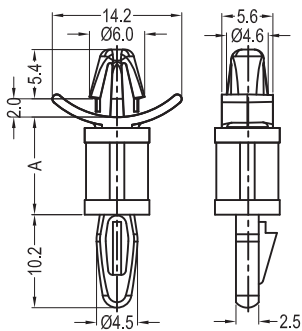


Fig.2

Top Hole: 4.75±0.08mm
Panel Thickness: 0.2-1.4mm
Bottom Hole: 4.0±0.08mm
Panel Thickness: 1.57mm

GLSP9

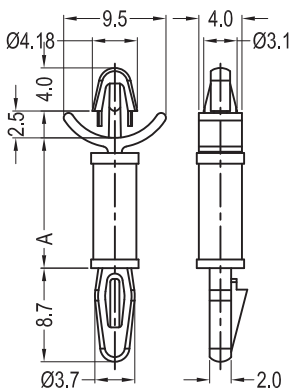
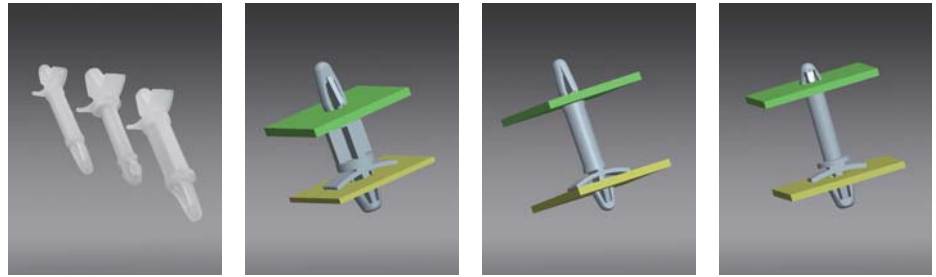


Fig.3

Top Hole: 3.18±0.05mm
Panel Thickness: 0.79-1.98mm
Bottom Hole: 3.18±0.05mm
Panel Thickness: 1.57mm



Sizes in mm

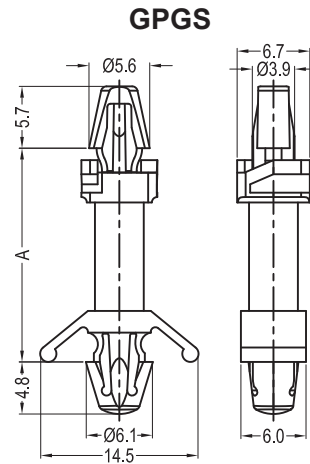
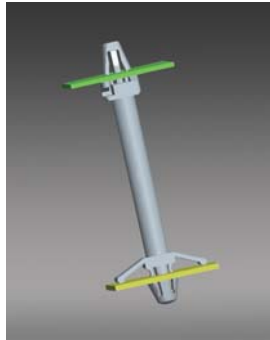
P/N.	Article No.	Cross-Ref.	Material	Color	A	FIG.	Packing Unit
40389	GLSP8-4-66	LCBS-8-4-01	PA66 UL94V2	Natural	6.4	2	1000
40390	GLSP8-5-66	LCBS-8-5-01	PA66 UL94V2	Natural	7.9	2	1000
40391	GLSP8-6-66	LCBS-8-6-01	PA66 UL94V2	Natural	9.5	2	1000
40392	GLSP8-7-66	LCBS-8-7-01	PA66 UL94V2	Natural	11.1	2	1000
40393	GLSP8-8-66	LCBS-8-8-01	PA66 UL94V2	Natural	12.7	2	1000
40394	GLSP8-10-66	LCBS-8-10-01	PA66 UL94V2	Natural	15.9	2	1000
40395	GLSP8-12-66	LCBS-8-12-01	PA66 UL94V2	Natural	19.1	2	1000
40396	GLSP8-14-66	LCBS-8-14-01	PA66 UL94V2	Natural	22.2	2	1000
40397	GLSP8-16-66	LCBS-8-16-01	PA66 UL94V2	Natural	25.4	2	1000
40398	GLSP8-18-66	LCBS-8-18-01	PA66 UL94V2	Natural	28.6	2	1000
40399	GLSP8-20-66	LCBS-8-20-01	PA66 UL94V2	Natural	31.7	2	1000
40400	GLSP8-22-66	LCBS-8-22-01	PA66 UL94V2	Natural	34.9	2	1000
41954	GLSP8-3-V0	LCBS-8-3-19	PA66 UL94V0	Natural	4.8	2	1000
41955	GLSP8-4-V0	LCBS-8-4-19	PA66 UL94V0	Natural	6.4	2	1000
41956	GLSP8-5-V0	LCBS-8-5-19	PA66 UL94V0	Natural	7.9	2	1000
41957	GLSP8-6-V0	LCBS-8-6-19	PA66 UL94V0	Natural	9.5	2	1000
41958	GLSP8-7-V0	LCBS-8-7-19	PA66 UL94V0	Natural	11.1	2	1000
41959	GLSP8-8-V0	LCBS-8-8-19	PA66 UL94V0	Natural	12.7	2	1000
41960	GLSP8-10-V0	LCBS-8-10-19	PA66 UL94V0	Natural	15.9	2	1000
41961	GLSP8-12-V0	LCBS-8-12-19	PA66 UL94V0	Natural	19.1	2	1000
41962	GLSP8-14-V0	LCBS-8-14-19	PA66 UL94V0	Natural	22.2	2	1000
41963	GLSP8-16-V0	LCBS-8-16-19	PA66 UL94V0	Natural	25.4	2	1000
41964	GLSP8-18-V0	LCBS-8-18-19	PA66 UL94V0	Natural	28.6	2	1000
41965	GLSP8-20-V0	LCBS-8-20-19	PA66 UL94V0	Natural	31.7	2	1000
41966	GLSP8-22-V0	LCBS-8-22-19	PA66 UL94V0	Natural	34.9	2	1000
40850	GLSP9-2-66	LCBSM-2-01	PA66 UL94V2	Natural	3.2	3	1000
40852	GLSP9-3-66	LCBSM-3-01	PA66 UL94V2	Natural	4.8	3	1000
40854	GLSP9-4-66	LCBSM-4-01	PA66 UL94V2	Natural	6.4	3	1000
40856	GLSP9-5-66	LCBSM-5-01	PA66 UL94V2	Natural	7.9	3	1000
40858	GLSP9-6-66	LCBSM-6-01	PA66 UL94V2	Natural	9.5	3	1000
40860	GLSP9-7-66	LCBSM-7-01	PA66 UL94V2	Natural	11.1	3	1000
40862	GLSP9-8-66	LCBSM-8-01	PA66 UL94V2	Natural	12.7	3	1000
42123	GLSP9-9-66	LCBSM-9-01	PA66 UL94V2	Natural	14.3	3	1000
40864	GLSP9-10-66	LCBSM-10-01	PA66 UL94V2	Natural	15.9	3	1000
40851	GLSP9-2-V0	LCBSM-2-19	PA66 UL94V0	Natural	3.2	3	1000
40853	GLSP9-3-V0	LCBSM-3-19	PA66 UL94V0	Natural	4.8	3	1000
40855	GLSP9-4-V0	LCBSM-4-19	PA66 UL94V0	Natural	6.4	3	1000
40857	GLSP9-5-V0	LCBSM-5-19	PA66 UL94V0	Natural	7.9	3	1000
40859	GLSP9-6-V0	LCBSM-6-19	PA66 UL94V0	Natural	9.5	3	1000
40861	GLSP9-7-V0	LCBSM-7-19	PA66 UL94V0	Natural	11.1	3	1000
40863	GLSP9-8-V0	LCBSM-8-19	PA66 UL94V0	Natural	12.7	3	1000
42127	GLSP9-9-V0	LCBSM-9-19	PA66 UL94V0	Natural	14.3	3	1000
40865	GLSP9-10-V0	LCBSM-10-19	PA66 UL94V0	Natural	15.9	3	1000

Material: PA66 UL94V2 (GMS-01); PA66 UL94V0 (GMS-02)



DUAL LOCKING SPACER

Locking Circuit Board Support II GPGS



Top Hole: 4.0±0.08mm
Panel Thickness: 1.0-2.0mm
Bottom Hole: 4.8±0.08mm
Panel Thickness: 0.5-2.3mm

Sizes in mm

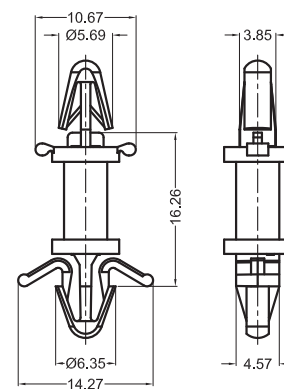
P/N.	Article No.	Material	Color	A	Packing Unit
41533	GPGS-3	PA66 UL94V2	Natural	9.7	1000
41534	GPGS-4	PA66 UL94V2	Natural	11.4	1000
41535	GPGS-6	PA66 UL94V2	Natural	14.4	1000
41536	GPGS-8	PA66 UL94V2	Natural	17.7	1000
43210	GPGS-9	PA66 UL94V2	Natural	19.5	1000
41537	GPGS-10	PA66 UL94V2	Natural	20.9	1000
41538	GPGS-12	PA66 UL94V2	Natural	24.1	1000
41539	GPGS-14	PA66 UL94V2	Natural	27.2	1000
43211	GPGS-15	PA66 UL94V2	Natural	29.0	1000
41540	GPGS-16	PA66 UL94V2	Natural	30.4	1000
41541	GPGS-18	PA66 UL94V2	Natural	33.6	1000
41542	GPGS-22	PA66 UL94V2	Natural	39.9	1000
42223	GPGS-26	PA66 UL94V2	Natural	53.3	1000
43168	GPGS-54	PA66 UL94V2	Natural	91.5	500
43169	GPGS-62	PA66 UL94V2	Natural	101.5	500

Material: PA66 UL94V2 (GMS-01)

Locking Circuit Board Support II GLSP17-6-66



GLSP17-6-66



Top Hole: 4.0±0.08mm
Panel Thickness: 1.57mm
Bottom Hole: 4.75±0.08mm
Panel Thickness: ≤1.79mm

Sizes in mm

P/N.	Article No.	Material	Color	Packing Unit
41230	GLSP17-6-66	PA66 UL94V2	Natural	1000

Material: PA66 UL94V2 (GMS-01)



sales@sucatec.com



www.sucatec.com

DUAL LOCKING SPACER

Snap Rivet Locking Circuit Board Support GRLSP/GSRLAHS



GRLSP

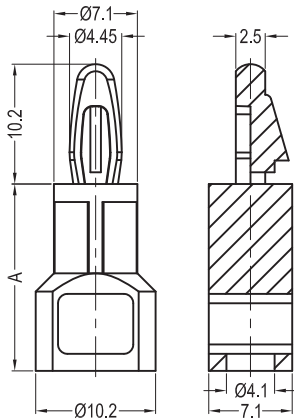


Fig.1

Top Hole: 4.0±0.08mm
Panel Thickness: 1.57mm
Bottom Hole: 4.1-4.2mm
Panel Thickness: See Rivet Table

GSRLAHS

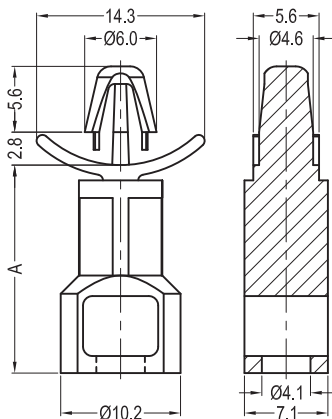


Fig.2

Top Hole: 4.75±0.08mm
Panel Thickness: 0.79-1.98mm
Bottom Hole: 4.1-4.2mm
Panel Thickness: See Rivet Table

Sizes in mm

P/N.	Article No.	Cross-Ref.	Material	Color	A	FIG.	Packing Unit
40339	GRLSP-6-66	SRLCBS-6-01	PA66 UL94V2	Natural	9.5	1	1000
40340	GRLSP-7-66	SRLCBS-7-01	PA66 UL94V2	Natural	11.1	1	1000
40341	GRLSP-8-66	SRLCBS-8-01	PA66 UL94V2	Natural	12.7	1	1000
40342	GRLSP-10-66	SRLCBS-10-01	PA66 UL94V2	Natural	15.9	1	1000
40343	GRLSP-12-66	SRLCBS-12-01	PA66 UL94V2	Natural	19.1	1	1000
40344	GRLSP-14-66	SRLCBS-14-01	PA66 UL94V2	Natural	22.2	1	1000
40345	GRLSP-16-66	SRLCBS-16-01	PA66 UL94V2	Natural	25.4	1	1000
41947	GRLSP-6-V0	SRLCBS-6-19	PA66 UL94V0	Natural	9.5	1	1000
41948	GRLSP-7-V0	SRLCBS-7-19	PA66 UL94V0	Natural	11.1	1	1000
41949	GRLSP-8-V0	SRLCBS-8-19	PA66 UL94V0	Natural	12.7	1	1000
41950	GRLSP-10-V0	SRLCBS-10-19	PA66 UL94V0	Natural	15.9	1	1000
41951	GRLSP-12-V0	SRLCBS-12-19	PA66 UL94V0	Natural	19.1	1	1000
41952	GRLSP-14-V0	SRLCBS-14-19	PA66 UL94V0	Natural	22.2	1	1000
41953	GRLSP-16-V0	SRLCBS-16-19	PA66 UL94V0	Natural	25.4	1	1000
42366	GSRLAHS-7-01	SRLAHS-7-01	PA66 UL94V2	Natural	11.1	2	1000
42367	GSRLAHS-8-01	SRLAHS-8-01	PA66 UL94V2	Natural	12.7	2	1000
42368	GSRLAHS-10-01	SRLAHS-10-01	PA66 UL94V2	Natural	15.9	2	1000
42369	GSRLAHS-12-01	SRLAHS-12-01	PA66 UL94V2	Natural	19.1	2	1000
42370	GSRLAHS-14-01	SRLAHS-14-01	PA66 UL94V2	Natural	22.2	2	1000
42371	GSRLAHS-16-01	SRLAHS-16-01	PA66 UL94V2	Natural	25.4	2	1000
42508	GSRLAHS-7-19	SRLAHS-7-19	PA66 UL94V0	Natural	11.1	2	1000
42509	GSRLAHS-8-19	SRLAHS-8-19	PA66 UL94V0	Natural	12.7	2	1000
42510	GSRLAHS-10-19	SRLAHS-10-19	PA66 UL94V0	Natural	15.9	2	1000
42511	GSRLAHS-12-19	SRLAHS-12-19	PA66 UL94V0	Natural	19.1	2	1000
42512	GSRLAHS-14-19	SRLAHS-14-19	PA66 UL94V0	Natural	22.2	2	1000
42513	GSRLAHS-16-19	SRLAHS-16-19	PA66 UL94V0	Natural	25.4	2	1000

Material: PA66 UL94V2 (GMS-01); PA66 UL94V0 (GMS-02)

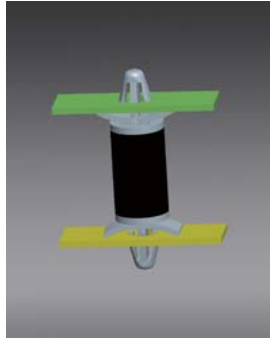
Use Gecko Rivet Part No.	Cross-Ref.	For Chassis Thickness	
20793/20918	GR4040-SPB/W	-	0.1-0.7
20149/20151	GR4050B/W	SR4050B/W	0.7-1.6
20920/20914	GR4055B/W	-	1.2-2.2
20162/20164	GR4060B/W	SR4060B/W	1.5-2.7
20172/20174	GR4070B/W	SR4070B/W	2.7-3.7
20179/20181	GR4080B/W	SR4080B/W	3.7-4.7
20183/20185	GR4090B/W	SR4090B/W	4.7-5.7
20190/20192	GR4100B/W	SR4100B/W	5.7-6.7
20197/20199	GR4120B/W	SR4120B/W	7.2-8.7
20201/20743	GR4155B/W	SR4155B/W	10.7-12.2

Material: PA6 UL94V2 (GMS-10)

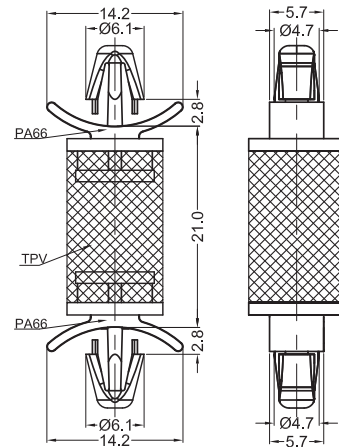
DUAL LOCKING SPACER

Vibration Shock Dampening Spacer

GAEPA



GAEPA



Top Hole: 4.75±0.08mm
Panel Thickness: 0.79-1.98mm
Bottom Hole: 4.75±0.08mm
Panel Thickness: 0.79-1.98mm

Sizes in mm

P/N.	Article No.	Cross-Ref.	Material	Color	Packing Unit
41076	GAEPA-1-21	HSCBS-2	TPV UL94HB + PA66 UL94V0	Black	500

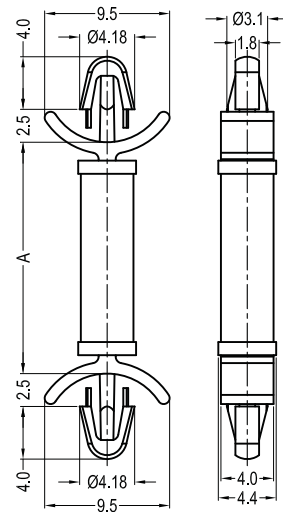
Material: PA66 UL94V0 (GMS-02); TPV UL94HB (GMS-05)

Locking Circuit Board Support Conductive

GDLSP4-14-6B-C



GDLSP4-14-6B-C Conductive Version



Top Hole: 3.18±0.05mm
Panel Thickness: 0.79-1.98mm
Bottom Hole: 3.18±0.05mm
Panel Thickness: 0.79-1.98mm

Sizes in mm

P/N.	Article No.	Material	Color	A	Packing Unit
43273	GDLSP4-14-6B-C	Conductive PA6 UL94HB	Black	22.2	1000

Material: PA6 UL94HB (GMS-64)



sales@sucatec.com



www.sucatec.com

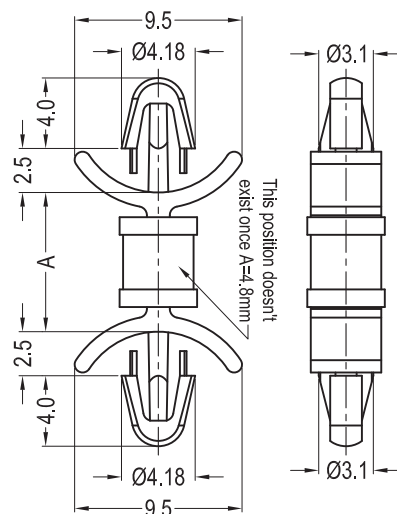
DUAL LOCKING SPACER

Dual Locking Circuit Board Support GDLSP4

A



GDLSP4



Top Hole: 3.18±0.05mm
Panel Thickness: 0.79-1.98mm
Bottom Hole: 3.18±0.05mm
Panel Thickness: 0.79-1.98mm

Sizes in mm

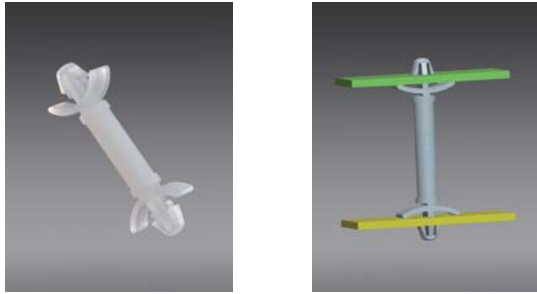
P/N.	Article No.	Cross-Ref.	Material	Color	A	Packing Unit
40800	GDLSP4-3-66	DLCBSM-3-01	PA66 UL94V2	Natural	4.8	1000
40801	GDLSP4-4-66	DLCBSM-4-01	PA66 UL94V2	Natural	6.4	1000
40802	GDLSP4-5-66	DLCBSM-5-01	PA66 UL94V2	Natural	7.9	1000
40803	GDLSP4-6-66	DLCBSM-6-01	PA66 UL94V2	Natural	9.5	1000
40804	GDLSP4-7-66	DLCBSM-7-01	PA66 UL94V2	Natural	11.1	1000
40805	GDLSP4-8-66	DLCBSM-8-01	PA66 UL94V2	Natural	12.7	1000
40806	GDLSP4-9-66	DLCBSM-9-01	PA66 UL94V2	Natural	14.3	1000
40807	GDLSP4-10-66	DLCBSM-10-01	PA66 UL94V2	Natural	15.9	1000
40799	GDLSP4-14-66	DLCBSM-14-01	PA66 UL94V2	Natural	22.2	1000
40798	GDLSP4-3-66B	DLCBSM-3-01BK	PA66 UL94V2	Black	4.8	1000
43126	GDLSP4-4-66B	DLCBSM-4-01BK	PA66 UL94V2	Black	6.4	1000
43127	GDLSP4-5-66B	DLCBSM-5-01BK	PA66 UL94V2	Black	7.9	1000
43128	GDLSP4-6-66B	DLCBSM-6-01BK	PA66 UL94V2	Black	9.5	1000
43129	GDLSP4-7-66B	DLCBSM-7-01BK	PA66 UL94V2	Black	11.1	1000
43130	GDLSP4-8-66B	DLCBSM-8-01BK	PA66 UL94V2	Black	12.7	1000
43131	GDLSP4-9-66B	DLCBSM-9-01BK	PA66 UL94V2	Black	14.3	1000
43132	GDLSP4-10-66B	DLCBSM-10-01BK	PA66 UL94V2	Black	15.9	1000
43133	GDLSP4-14-66B	DLCBSM-14-01BK	PA66 UL94V2	Black	22.2	1000
41983	GDLSP4-3-V0	DLCBSM-3-19	PA66 UL94V0	Natural	4.8	1000
41984	GDLSP4-4-V0	DLCBSM-4-19	PA66 UL94V0	Natural	6.4	1000
41985	GDLSP4-5-V0	DLCBSM-5-19	PA66 UL94V0	Natural	7.9	1000
41986	GDLSP4-6-V0	DLCBSM-6-19	PA66 UL94V0	Natural	9.5	1000
41987	GDLSP4-7-V0	DLCBSM-7-19	PA66 UL94V0	Natural	11.1	1000
41988	GDLSP4-8-V0	DLCBSM-8-19	PA66 UL94V0	Natural	12.7	1000
41989	GDLSP4-9-V0	DLCBSM-9-19	PA66 UL94V0	Natural	14.3	1000
41990	GDLSP4-10-V0	DLCBSM-10-19	PA66 UL94V0	Natural	15.9	1000
40876	GDLSP4-14-V0	DLCBSM-14-19	PA66 UL94V0	Natural	22.2	1000

Material: PA66 UL94V2 (GMS-01); PA66 UL94V0 (GMS-02)



DUAL LOCKING SPACER

Dual Locking Circuit Board Support GDLCBS5

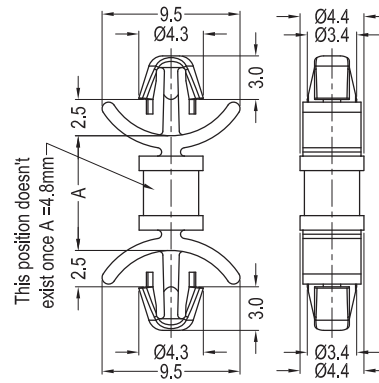


Sizes in mm

P/N.	Article No.	Cross-Ref.	Material	Color	A	Packing Unit
42715	GDLCBS5-3-66	DLCBS5-3-01	PA66 UL94V2	Natural	4.8	1000
42716	GDLCBS5-4-66	DLCBS5-4-01	PA66 UL94V2	Natural	6.4	1000
42717	GDLCBS5-5-66	DLCBS5-5-01	PA66 UL94V2	Natural	7.9	1000
42718	GDLCBS5-6-66	DLCBS5-6-01	PA66 UL94V2	Natural	9.5	1000
42719	GDLCBS5-7-66	DLCBS5-7-01	PA66 UL94V2	Natural	11.1	1000
42720	GDLCBS5-8-66	DLCBS5-8-01	PA66 UL94V2	Natural	12.7	1000
42721	GDLCBS5-9-66	DLCBS5-9-01	PA66 UL94V2	Natural	14.3	1000
42722	GDLCBS5-10-66	DLCBS5-10-01	PA66 UL94V2	Natural	15.9	1000
42723	GDLCBS5-14-66	DLCBS5-14-01	PA66 UL94V2	Natural	22.2	1000
42730	GDLCBS5-3-V0	DLCBS5-3-19	PA66 UL94V0	Natural	4.8	1000
42731	GDLCBS5-4-V0	DLCBS5-4-19	PA66 UL94V0	Natural	6.4	1000
42732	GDLCBS5-5-V0	DLCBS5-5-19	PA66 UL94V0	Natural	7.9	1000
42733	GDLCBS5-6-V0	DLCBS5-6-19	PA66 UL94V0	Natural	9.5	1000
42734	GDLCBS5-7-V0	DLCBS5-7-19	PA66 UL94V0	Natural	11.1	1000
42735	GDLCBS5-8-V0	DLCBS5-8-19	PA66 UL94V0	Natural	12.7	1000
42736	GDLCBS5-9-V0	DLCBS5-9-19	PA66 UL94V0	Natural	14.3	1000
42737	GDLCBS5-10-V0	DLCBS5-10-19	PA66 UL94V0	Natural	15.9	1000
42738	GDLCBS5-14-V0	DLCBS5-14-19	PA66 UL94V0	Natural	22.2	1000

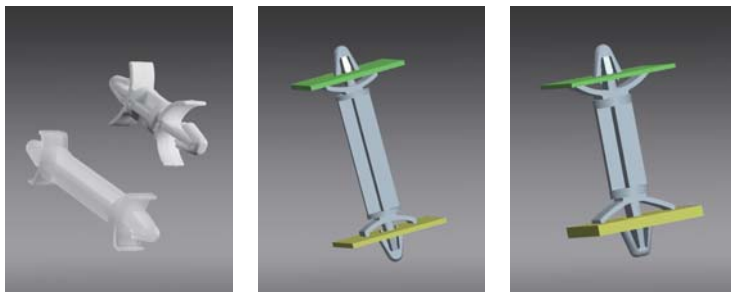
Material: PA66 UL94V2 (GMS-01); PA66 UL94V0 (GMS-02)

GDLCBS5



Top Hole: 3.5±0.05mm
Panel Thickness: 0.8-2.0mm
Bottom Hole: 3.5±0.05mm
Panel Thickness: 0.8-2.0mm

Dual Locking Circuit Board Support GLSP12/GLSP14

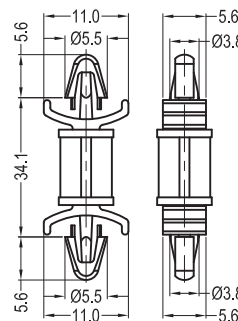


Sizes in mm

P/N.	Article No.	Material	Color	FIG.	Packing Unit
41519	GLSP12-22-66	PA66 UL94V2	Natural	1	1000
41521	GLSP14-6-V0	PA66 UL94V0	Natural	2	1000

Material: PA66 UL94V2 (GMS-01); PA66 UL94V0 (GMS-02)

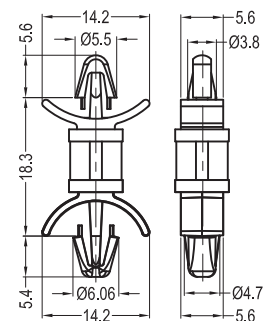
GLSP12



Top Hole: 4.0±0.08mm
Panel Thickness: 1.0-1.7mm
Bottom Hole: 4.0±0.08mm
Panel Thickness: 1.0-1.7mm

Fig.1

GLSP14



Top Hole: 4.0±0.08mm
Panel Thickness: 0.79-1.98mm
Bottom Hole: 4.75±0.08mm
Panel Thickness: 1.98-3.56mm

Fig.2



DUAL LOCKING SPACER

Dual Locking Circuit Board Support

GDLSP5/6/7 GDLSP5

GDLSP6

GDLSP7

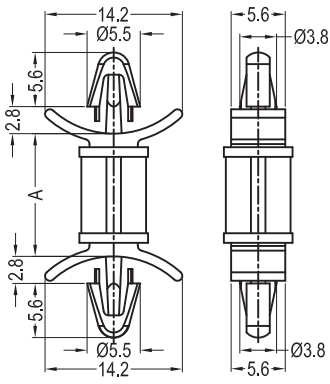


Fig.1

Top Hole: 4.0±0.08mm
Panel Thickness: 0.79-1.98mm
Bottom Hole: 4.0±0.08mm
Panel Thickness: 0.79-1.98mm

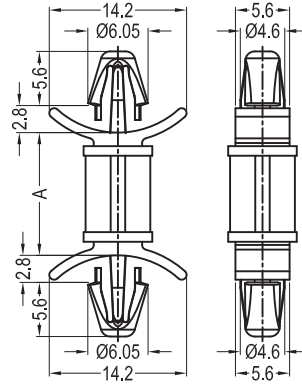


Fig.2

Top Hole: 4.75±0.08mm
Panel Thickness: 0.79-1.98mm
Bottom Hole: 4.75±0.08mm
Panel Thickness: 0.79-1.98mm

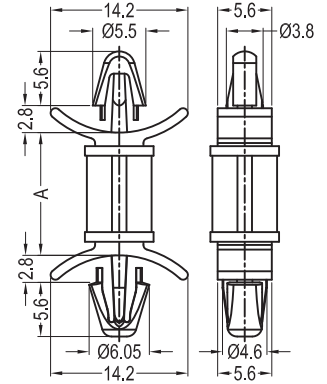
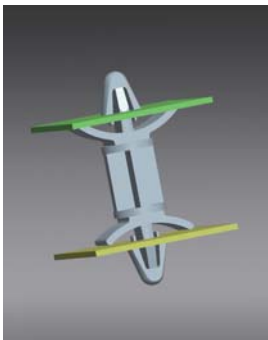


Fig.3

Top Hole: 4.0±0.08mm
Panel Thickness: 0.79-1.98mm
Bottom Hole: 4.75±0.08mm
Panel Thickness: 0.79-1.98mm

Sizes in mm



P/N.	Article No.	Cross-Ref.	Material	Color	A	FIG.	Packing Unit
40815	GDLSP5-3-66	DLCBS-3-01	PA66 UL94V2	Natural	4.8	1	1000
40817	GDLSP5-4-66	DLCBS-4-01	PA66 UL94V2	Natural	6.4	1	1000
42611	GDLSP5-5-66	DLCBS-5-01	PA66 UL94V2	Natural	7.9	1	1000
40819	GDLSP5-6-66	DLCBS-6-01	PA66 UL94V2	Natural	9.5	1	1000
42349	GDLSP5-7-66	DLCBS-7-01	PA66 UL94V2	Natural	11.1	1	1000
40821	GDLSP5-8-66	DLCBS-8-01	PA66 UL94V2	Natural	12.7	1	1000
42456	GDLSP5-9-66	DLCBS-9-01	PA66 UL94V2	Natural	14.3	1	1000
40823	GDLSP5-10-66	DLCBS-10-01	PA66 UL94V2	Natural	15.9	1	1000
40825	GDLSP5-12-66	DLCBS-12-01	PA66 UL94V2	Natural	19.1	1	1000
40827	GDLSP5-14-66	DLCBS-14-01	PA66 UL94V2	Natural	22.2	1	1000
40816	GDLSP5-3-V0	DLCBS-3-19	PA66 UL94V0	Natural	4.8	1	1000
40818	GDLSP5-4-V0	DLCBS-4-19	PA66 UL94V0	Natural	6.4	1	1000
42662	GDLSP5-5-V0	DLCBS-5-19	PA66 UL94V0	Natural	7.9	1	1000
40820	GDLSP5-6-V0	DLCBS-6-19	PA66 UL94V0	Natural	9.5	1	1000
42350	GDLSP5-7-V0	DLCBS-7-19	PA66 UL94V0	Natural	11.1	1	1000
40822	GDLSP5-8-V0	DLCBS-8-19	PA66 UL94V0	Natural	12.7	1	1000
42457	GDLSP5-9-V0	DLCBS-9-19	PA66 UL94V0	Natural	14.3	1	1000
40824	GDLSP5-10-V0	DLCBS-10-19	PA66 UL94V0	Natural	15.9	1	1000
40826	GDLSP5-12-V0	DLCBS-12-19	PA66 UL94V0	Natural	19.1	1	1000
40828	GDLSP5-14-V0	DLCBS-14-19	PA66 UL94V0	Natural	22.2	1	1000
40829	GDLSP6-3-66	DLCBS2-3-01	PA66 UL94V2	Natural	4.8	2	1000
40830	GDLSP6-4-66	DLCBS2-4-01	PA66 UL94V2	Natural	6.4	2	1000
42681	GDLSP6-5-66	DLCBS2-5-01	PA66 UL94V2	Natural	7.9	2	1000
40831	GDLSP6-6-66	DLCBS2-6-01	PA66 UL94V2	Natural	9.5	2	1000
42462	GDLSP6-7-66	DLCBS2-7-01	PA66 UL94V2	Natural	11.1	2	1000
40832	GDLSP6-8-66	DLCBS2-8-01	PA66 UL94V2	Natural	12.7	2	1000
42458	GDLSP6-9-66	DLCBS2-9-01	PA66 UL94V2	Natural	14.3	2	1000
40833	GDLSP6-10-66	DLCBS2-10-01	PA66 UL94V2	Natural	15.9	2	1000
40834	GDLSP6-12-66	DLCBS2-12-01	PA66 UL94V2	Natural	19.1	2	1000
40835	GDLSP6-14-66	DLCBS2-14-01	PA66 UL94V2	Natural	22.2	2	1000

Material: PA66 UL94V2 (GMS-01); PA66 UL94V0 (GMS-02)



DUAL LOCKING SPACER

Dual Locking Circuit Board Support

GDSP5/6/7

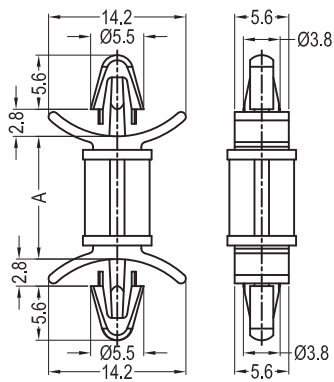


Fig.1

Top Hole: 4.0±0.08mm
Panel Thickness: 0.79-1.98mm
Bottom Hole: 4.0±0.08mm
Panel Thickness: 0.79-1.98mm

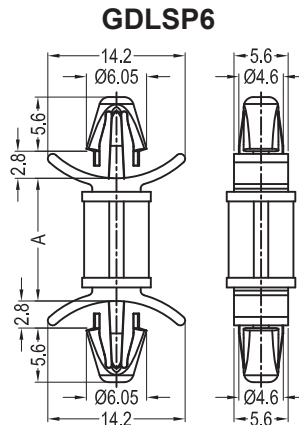


Fig.2

Top Hole: 4.75±0.08mm
Panel Thickness: 0.79-1.98mm
Bottom Hole: 4.75±0.08mm
Panel Thickness: 0.79-1.98mm

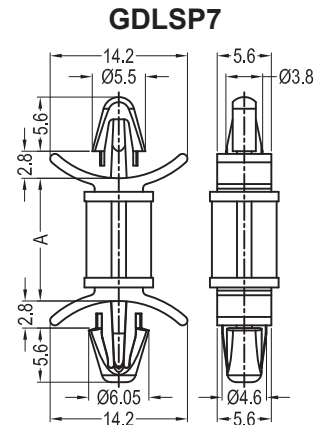
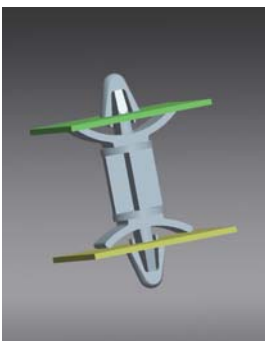


Fig.3

Top Hole: 4.0±0.08mm
Panel Thickness: 0.79-1.98mm
Bottom Hole: 4.75±0.08mm
Panel Thickness: 0.79-1.98mm

Sizes in mm



P/N.	Article No.	Cross-Ref.	Material	Color	A	FIG.	Packing Unit
42012	GDSP6-3-V0	DLCBS2-3-19	PA66 UL94V0	Natural	4.8	2	1000
42013	GDSP6-4-V0	DLCBS2-4-19	PA66 UL94V0	Natural	6.4	2	1000
42682	GDSP6-5-V0	DLCBS2-5-19	PA66 UL94V0	Natural	7.9	2	1000
42014	GDSP6-6-V0	DLCBS2-6-19	PA66 UL94V0	Natural	9.5	2	1000
42463	GDSP6-7-V0	DLCBS2-7-19	PA66 UL94V0	Natural	11.1	2	1000
42015	GDSP6-8-V0	DLCBS2-8-19	PA66 UL94V0	Natural	12.7	2	1000
42459	GDSP6-9-V0	DLCBS2-9-19	PA66 UL94V0	Natural	14.3	2	1000
42016	GDSP6-10-V0	DLCBS2-10-19	PA66 UL94V0	Natural	15.9	2	1000
42017	GDSP6-12-V0	DLCBS2-12-19	PA66 UL94V0	Natural	19.1	2	1000
42018	GDSP6-14-V0	DLCBS2-14-19	PA66 UL94V0	Natural	22.2	2	1000
40836	GDSP7-3-66	DLCBS3-3-01	PA66 UL94V2	Natural	4.8	3	1000
40838	GDSP7-4-66	DLCBS3-4-01	PA66 UL94V2	Natural	6.4	3	1000
42683	GDSP7-5-66	DLCBS3-5-01	PA66 UL94V2	Natural	7.9	3	1000
40840	GDSP7-6-66	DLCBS3-6-01	PA66 UL94V2	Natural	9.5	3	1000
42464	GDSP7-7-66	DLCBS3-7-01	PA66 UL94V2	Natural	11.1	3	1000
40842	GDSP7-8-66	DLCBS3-8-01	PA66 UL94V2	Natural	12.7	3	1000
42460	GDSP7-9-66	DLCBS3-9-01	PA66 UL94V2	Natural	14.3	3	1000
40844	GDSP7-10-66	DLCBS3-10-01	PA66 UL94V2	Natural	15.9	3	1000
40846	GDSP7-12-66	DLCBS3-12-01	PA66 UL94V2	Natural	19.1	3	1000
40848	GDSP7-14-66	DLCBS3-14-01	PA66 UL94V2	Natural	22.2	3	1000
40837	GDSP7-3-V0	DLCBS3-3-19	PA66 UL94V0	Natural	4.8	3	1000
40839	GDSP7-4-V0	DLCBS3-4-19	PA66 UL94V0	Natural	6.4	3	1000
42684	GDSP7-5-V0	DLCBS3-5-19	PA66 UL94V0	Natural	7.9	3	1000
40841	GDSP7-6-V0	DLCBS3-6-19	PA66 UL94V0	Natural	9.5	3	1000
42465	GDSP7-7-V0	DLCBS3-7-19	PA66 UL94V0	Natural	11.1	3	1000
40843	GDSP7-8-V0	DLCBS3-8-19	PA66 UL94V0	Natural	12.7	3	1000
42461	GDSP7-9-V0	DLCBS3-9-19	PA66 UL94V0	Natural	14.3	3	1000
40845	GDSP7-10-V0	DLCBS3-10-19	PA66 UL94V0	Natural	15.9	3	1000
40847	GDSP7-12-V0	DLCBS3-12-19	PA66 UL94V0	Natural	19.1	3	1000
40849	GDSP7-14-V0	DLCBS3-14-19	PA66 UL94V0	Natural	22.2	3	1000

Material: PA66 UL94V2 (GMS-01); PA66 UL94V0 (GMS-02)



sales@sucatec.com



www.sucatec.com

DUAL LOCKING SPACER

Dual Locking Circuit Board Support GDLSP1/2/3

A

GDLSP1

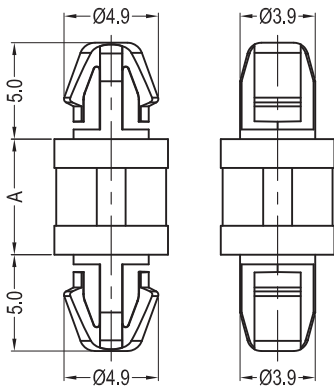


Fig.1

Top Hole: 4.0±0.08mm
Panel Thickness: 1.6mm
Bottom Hole: 4.0±0.08mm
Panel Thickness: 1.6mm

GDLSP3

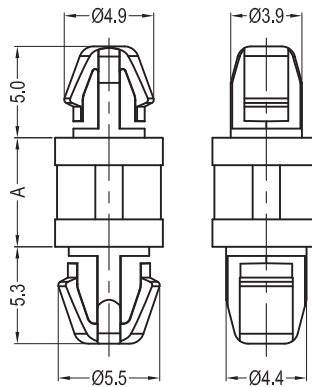


Fig.2

Top Hole: 4.0±0.08mm
Panel Thickness: 1.6mm
Bottom Hole: 4.8±0.08mm
Panel Thickness: 1.6mm

GDLSP2

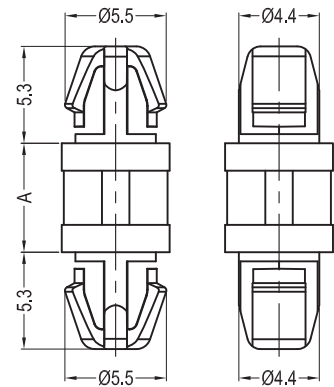
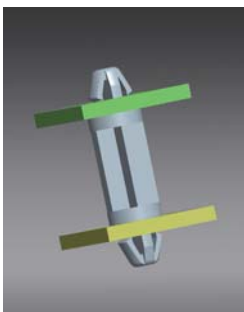


Fig.3

Top Hole: 4.8±0.08mm
Panel Thickness: 1.6mm
Bottom Hole: 4.8±0.08mm
Panel Thickness: 1.6mm

Sizes in mm



P/N.	Article No.	Cross-Ref.	Material	Color	A	FIG.	Packing Unit
40401	GDLSP1-3M-66	DLSP-1-3M-01	PA66 UL94V2	Natural	3.0	1	1000
40402	GDLSP1-4M-66	DLSP-1-4M-01	PA66 UL94V2	Natural	4.0	1	1000
40403	GDLSP1-6M-66	DLSP-1-6M-01	PA66 UL94V2	Natural	6.0	1	1000
40404	GDLSP1-8M-66	DLSP-1-8M-01	PA66 UL94V2	Natural	8.0	1	1000
40405	GDLSP1-10M-66	DLSP-1-10M-01	PA66 UL94V2	Natural	10.0	1	1000
40406	GDLSP1-12M-66	DLSP-1-12M-01	PA66 UL94V2	Natural	12.0	1	1000
40407	GDLSP1-14M-66	DLSP-1-14M-01	PA66 UL94V2	Natural	14.0	1	1000
40408	GDLSP1-16M-66	DLSP-1-16M-01	PA66 UL94V2	Natural	16.0	1	1000
40409	GDLSP1-18M-66	DLSP-1-18M-01	PA66 UL94V2	Natural	18.0	1	1000
41426	GDLSP1-3M-V0	DLSP-1-3M-19	PA66 UL94V0	Natural	3.0	1	1000
41427	GDLSP1-4M-V0	DLSP-1-4M-19	PA66 UL94V0	Natural	4.0	1	1000
41428	GDLSP1-6M-V0	DLSP-1-6M-19	PA66 UL94V0	Natural	6.0	1	1000
41429	GDLSP1-8M-V0	DLSP-1-8M-19	PA66 UL94V0	Natural	8.0	1	1000
41430	GDLSP1-10M-V0	DLSP-1-10M-19	PA66 UL94V0	Natural	10.0	1	1000
41431	GDLSP1-12M-V0	DLSP-1-12M-19	PA66 UL94V0	Natural	12.0	1	1000
41432	GDLSP1-14M-V0	DLSP-1-14M-19	PA66 UL94V0	Natural	14.0	1	1000
41433	GDLSP1-16M-V0	DLSP-1-16M-19	PA66 UL94V0	Natural	16.0	1	1000
41434	GDLSP1-18M-V0	DLSP-1-18M-19	PA66 UL94V0	Natural	18.0	1	1000
40410	GDLSP3-3M-66	DLSP-3-3M-01	PA66 UL94V2	Natural	3.0	2	1000
40411	GDLSP3-4M-66	DLSP-3-4M-01	PA66 UL94V2	Natural	4.0	2	1000
40412	GDLSP3-6M-66	DLSP-3-6M-01	PA66 UL94V2	Natural	6.0	2	1000
40413	GDLSP3-8M-66	DLSP-3-8M-01	PA66 UL94V2	Natural	8.0	2	1000
40414	GDLSP3-10M-66	DLSP-3-10M-01	PA66 UL94V2	Natural	10.0	2	1000
40415	GDLSP3-12M-66	DLSP-3-12M-01	PA66 UL94V2	Natural	12.0	2	1000
40416	GDLSP3-14M-66	DLSP-3-14M-01	PA66 UL94V2	Natural	14.0	2	1000
40417	GDLSP3-16M-66	DLSP-3-16M-01	PA66 UL94V2	Natural	16.0	2	1000
40418	GDLSP3-18M-66	DLSP-3-18M-01	PA66 UL94V2	Natural	18.0	2	1000

Material: PA66 UL94V2 (GMS-01); PA66 UL94V0 (GMS-02)



DUAL LOCKING SPACER

Dual Locking Circuit Board Support GDLSP1/2/3

GDLSP1

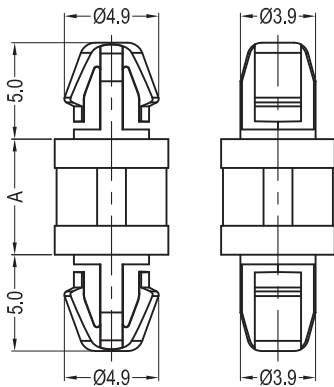


Fig.1

Top Hole: 4.0±0.08mm
Panel Thickness: 1.6mm
Bottom Hole: 4.0±0.08mm
Panel Thickness: 1.6mm

GDLSP3

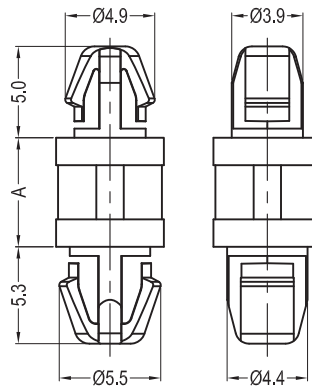


Fig.2

Top Hole: 4.0±0.08mm
Panel Thickness: 1.6mm
Bottom Hole: 4.8±0.08mm
Panel Thickness: 1.6mm

GDLSP2

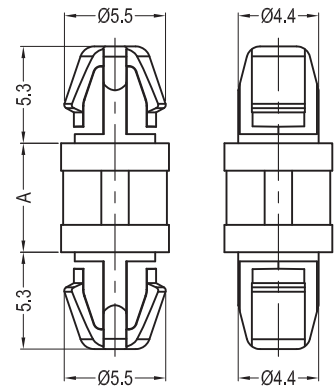
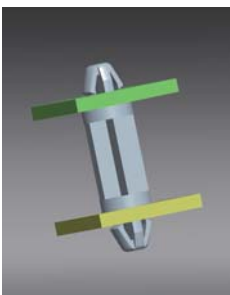


Fig.3

Top Hole: 4.8±0.08mm
Panel Thickness: 1.6mm
Bottom Hole: 4.8±0.08mm
Panel Thickness: 1.6mm

Sizes in mm



P/N.	Article No.	Cross-Ref.	Material	Color	A	FIG.	Packing Unit
41967	GDLSP3-3M-V0	DLSP-3-3M-19	PA66 UL94V0	Natural	3.0	2	1000
41968	GDLSP3-4M-V0	DLSP-3-4M-19	PA66 UL94V0	Natural	4.0	2	1000
41969	GDLSP3-6M-V0	DLSP-3-6M-19	PA66 UL94V0	Natural	6.0	2	1000
41970	GDLSP3-8M-V0	DLSP-3-8M-19	PA66 UL94V0	Natural	8.0	2	1000
41971	GDLSP3-10M-V0	DLSP-3-10M-19	PA66 UL94V0	Natural	10.0	2	1000
41972	GDLSP3-12M-V0	DLSP-3-12M-19	PA66 UL94V0	Natural	12.0	2	1000
41973	GDLSP3-14M-V0	DLSP-3-14M-19	PA66 UL94V0	Natural	14.0	2	1000
41974	GDLSP3-16M-V0	DLSP-3-16M-19	PA66 UL94V0	Natural	16.0	2	1000
41975	GDLSP3-18M-V0	DLSP-3-18M-19	PA66 UL94V0	Natural	18.0	2	1000
41078	GDLSP2-3M-66	DLSP-2-3M-01	PA66 UL94V2	Natural	3.0	3	1000
41079	GDLSP2-4M-66	DLSP-2-4M-01	PA66 UL94V2	Natural	4.0	3	1000
41080	GDLSP2-6M-66	DLSP-2-6M-01	PA66 UL94V2	Natural	6.0	3	1000
41081	GDLSP2-8M-66	DLSP-2-8M-01	PA66 UL94V2	Natural	8.0	3	1000
41082	GDLSP2-10M-66	DLSP-2-10M-01	PA66 UL94V2	Natural	10.0	3	1000
41083	GDLSP2-12M-66	DLSP-2-12M-01	PA66 UL94V2	Natural	12.0	3	1000
41084	GDLSP2-14M-66	DLSP-2-14M-01	PA66 UL94V2	Natural	14.0	3	1000
41085	GDLSP2-16M-66	DLSP-2-16M-01	PA66 UL94V2	Natural	16.0	3	1000
41086	GDLSP2-18M-66	DLSP-2-18M-01	PA66 UL94V2	Natural	18.0	3	1000
41584	GDLSP2-3M-V0	DLSP-2-3M-19	PA66 UL94V0	Natural	3.0	3	1000
41585	GDLSP2-4M-V0	DLSP-2-4M-19	PA66 UL94V0	Natural	4.0	3	1000
41586	GDLSP2-6M-V0	DLSP-2-6M-19	PA66 UL94V0	Natural	6.0	3	1000
41587	GDLSP2-8M-V0	DLSP-2-8M-19	PA66 UL94V0	Natural	8.0	3	1000
41588	GDLSP2-10M-V0	DLSP-2-10M-19	PA66 UL94V0	Natural	10.0	3	1000
41589	GDLSP2-12M-V0	DLSP-2-12M-19	PA66 UL94V0	Natural	12.0	3	1000
41590	GDLSP2-14M-V0	DLSP-2-14M-19	PA66 UL94V0	Natural	14.0	3	1000
41591	GDLSP2-16M-V0	DLSP-2-16M-19	PA66 UL94V0	Natural	16.0	3	1000
41592	GDLSP2-18M-V0	DLSP-2-18M-19	PA66 UL94V0	Natural	18.0	3	1000

Material: PA66 UL94V2 (GMS-01); PA66 UL94V0 (GMS-02)



sales@sucatec.com



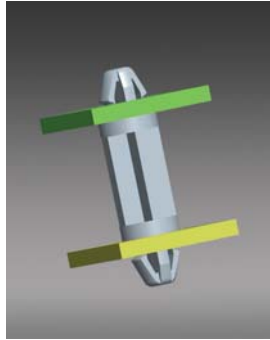
www.sucatec.com

DUAL LOCKING SPACER

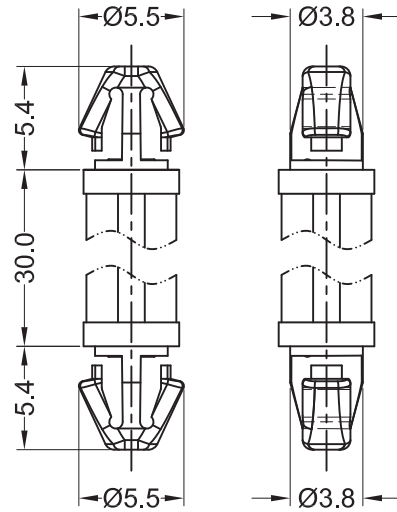
Dual Locking Circuit Board Support

GKCA-30

A



GKCA-30



Top Hole: 4.0±0.08mm
Panel Thickness: 1.4-1.6mm
Bottom Hole: 4.0±0.08mm
Panel Thickness: 1.4-1.6mm

Sizes in mm

P/N.	Article No.	Material	Color	Packing Unit
43489	GKCA-30	PA66 UL94V2	Natural	1000

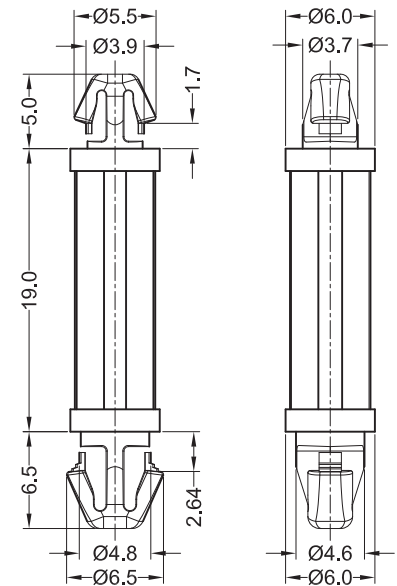
Material: PA66 UL94V2 (GMS-65)

Dual Locking Circuit Board Support

GDLSP8-19M-66



GDLSP8-19M-66



Top Hole: 4.0±0.1mm
Panel Thickness: 1.44-1.7mm
Bottom Hole: 4.8±0.1mm
Panel Thickness: 2.16-2.64mm

Sizes in mm

P/N.	Article No.	Material	Color	Packing Unit
43722	GDLSP8-19M-66	PA66 UL94V2	Natural	1000

Material: PA66 UL94V2 (GMS-65)

DUAL LOCKING SPACER

Dual Locking Circuit Board Support MINI GSP-MDL-1/2



A

Sizes in mm

GSP-MDL-1

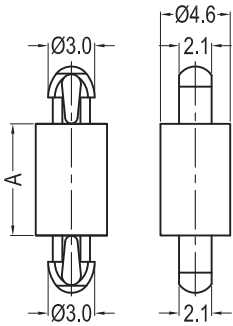


Fig.1

Top Hole: 2.5 ± 0.05 mm
Panel Thickness: 1.57mm
Bottom Hole: 2.5 ± 0.05 mm
Panel Thickness: 1.57mm

GSP-MDL-2

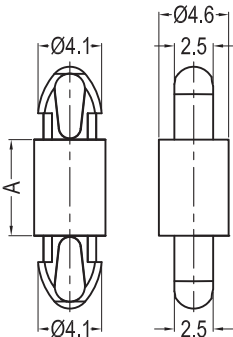


Fig.2

Top Hole: 3.5 ± 0.05 mm
Panel Thickness: 1.57mm
Bottom Hole: 3.5 ± 0.05 mm
Panel Thickness: 1.57mm

P/N.	Article No.	Cross-Ref.	Material	Color	A	FIG.	Packing Unit
40043	GSP-MDL-1-2M-66	MDLSP1-02M-01	PA66 UL 94V2	Natural	2.0	1	1000
40045	GSP-MDL-1-3M-66	MDLSP1-03M-01	PA66 UL94V2	Natural	3.0	1	1000
40047	GSP-MDL-1-4M-66	MDLSP1-04M-01	PA66 UL94V2	Natural	4.0	1	1000
40049	GSP-MDL-1-5M-66	MDLSP1-05M-01	PA66 UL94V2	Natural	5.0	1	1000
40051	GSP-MDL-1-6M-66	MDLSP1-06M-01	PA66 UL94V2	Natural	6.0	1	1000
40053	GSP-MDL-1-7M-66	MDLSP1-07M-01	PA66 UL94V2	Natural	7.0	1	1000
40055	GSP-MDL-1-8M-66	MDLSP1-08M-01	PA66 UL94V2	Natural	8.0	1	1000
42063	GSP-MDL-1-9M-66	MDLSP1-09M-01	PA66 UL94V2	Natural	9.0	1	1000
40057	GSP-MDL-1-10M-66	MDLSP1-10M-01	PA66 UL94V2	Natural	10.0	1	1000
40059	GSP-MDL-1-12M-66	MDLSP1-12M-01	PA66 UL94V2	Natural	12.0	1	1000
40061	GSP-MDL-1-14M-66	MDLSP1-14M-01	PA66 UL94V2	Natural	14.0	1	1000
40063	GSP-MDL-1-16M-66	MDLSP1-16M-01	PA66 UL94V2	Natural	16.0	1	1000
40065	GSP-MDL-1-18M-66	MDLSP1-18M-01	PA66 UL94V2	Natural	18.0	1	1000
40067	GSP-MDL-1-20M-66	MDLSP1-20M-01	PA66 UL94V2	Natural	20.0	1	1000
40069	GSP-MDL-1-22M-66	MDLSP1-22M-01	PA66 UL94V2	Natural	22.0	1	1000
43724	GSP-MDL-1-22.5M-66	-	PA66 UL94V2	Natural	22.5	1	1000
41386	GSP-MDL-1-26.5M-66	-	PA66 UL94V2	Natural	26.5	1	1000
43317	GSP-MDL-1-35M-66	-	PA66 UL94V2	Natural	35.0	1	1000
41506	GSP-MDL-1-2M-66B	MDLSP1-02M-01BK	PA66 UL94V2	Black	2.0	1	1000
41507	GSP-MDL-1-3M-66B	MDLSP1-03M-01BK	PA66 UL94V2	Black	3.0	1	1000
41508	GSP-MDL-1-4M-66B	MDLSP1-04M-01BK	PA66 UL94V2	Black	4.0	1	1000
41490	GSP-MDL-1-5M-66B	MDLSP1-05M-01BK	PA66 UL94V2	Black	5.0	1	1000
41509	GSP-MDL-1-6M-66B	MDLSP1-06M-01BK	PA66 UL94V2	Black	6.0	1	1000
41510	GSP-MDL-1-7M-66B	MDLSP1-07M-01BK	PA66 UL94V2	Black	7.0	1	1000
41511	GSP-MDL-1-8M-66B	MDLSP1-08M-01BK	PA66 UL94V2	Black	8.0	1	1000
42057	GSP-MDL-1-9M-66B	MDLSP1-09M-01BK	PA66 UL94V2	Black	9.0	1	1000
41512	GSP-MDL-1-10M-66B	MDLSP1-10M-01BK	PA66 UL94V2	Black	10.0	1	1000
41513	GSP-MDL-1-12M-66B	MDLSP1-12M-01BK	PA66 UL94V2	Black	12.0	1	1000
41514	GSP-MDL-1-14M-66B	MDLSP1-14M-01BK	PA66 UL94V2	Black	14.0	1	1000
41515	GSP-MDL-1-16M-66B	MDLSP1-16M-01BK	PA66 UL94V2	Black	16.0	1	1000
41516	GSP-MDL-1-18M-66B	MDLSP1-18M-01BK	PA66 UL94V2	Black	18.0	1	1000
41517	GSP-MDL-1-20M-66B	MDLSP1-20M-01BK	PA66 UL94V2	Black	20.0	1	1000
41518	GSP-MDL-1-22M-66B	MDLSP1-22M-01BK	PA66 UL94V2	Black	22.0	1	1000
43765	GSP-MDL-1-22.5M-66B	-	PA66 UL94V2	Black	22.5	1	1000
42863	GSP-MDL-1-26.5M-66B	-	PA66 UL94V2	Black	26.5	1	1000
43318	GSP-MDL-1-35M-66B	-	PA66 UL94V2	Black	35.0	1	1000
40044	GSP-MDL-1-2M-V0	MDLSP1-02M-19	PA66 UL94V0	Natural	2.0	1	1000
40046	GSP-MDL-1-3M-V0	MDLSP1-03M-19	PA66 UL94V0	Natural	3.0	1	1000
40048	GSP-MDL-1-4M-V0	MDLSP1-04M-19	PA66 UL94V0	Natural	4.0	1	1000
40050	GSP-MDL-1-5M-V0	MDLSP1-05M-19	PA66 UL94V0	Natural	5.0	1	1000
40052	GSP-MDL-1-6M-V0	MDLSP1-06M-19	PA66 UL94V0	Natural	6.0	1	1000
40054	GSP-MDL-1-7M-V0	MDLSP1-07M-19	PA66 UL94V0	Natural	7.0	1	1000
40056	GSP-MDL-1-8M-V0	MDLSP1-08M-19	PA66 UL94V0	Natural	8.0	1	1000
42061	GSP-MDL-1-9M-V0	MDLSP1-09M-19	PA66 UL94V0	Natural	9.0	1	1000
40058	GSP-MDL-1-10M-V0	MDLSP1-10M-19	PA66 UL94V0	Natural	10.0	1	1000
40060	GSP-MDL-1-12M-V0	MDLSP1-12M-19	PA66 UL94V0	Natural	12.0	1	1000
40062	GSP-MDL-1-14M-V0	MDLSP1-14M-19	PA66 UL94V0	Natural	14.0	1	1000

Material: PA66 UL94V2 (GMS-01); PA66 UL94V0 (GMS-02)



sales@sucatec.com



www.sucatec.com

DUAL LOCKING SPACER

Dual Locking Circuit Board Support MINI GSP-MDL-1/2



Sizes in mm

GSP-MDL-1

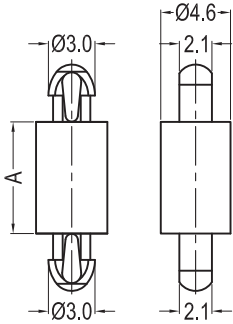


Fig.1

Top Hole: 2.5±0.05mm
Panel Thickness: 1.57mm
Bottom Hole: 2.5±0.05mm
Panel Thickness: 1.57mm

GSP-MDL-2

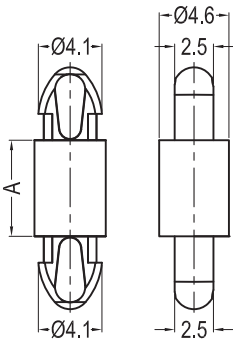


Fig.2

Top Hole: 3.5±0.05mm
Panel Thickness: 1.57mm
Bottom Hole: 3.5±0.05mm
Panel Thickness: 1.57mm

P/N.	Article No.	Cross-Ref.	Material	Color	A	FIG.	Packing Unit
40064	GSP-MDL-1-16M-V0	MDLSP1-16M-19	PA66 UL94V0	Natural	16.0	1	1000
40066	GSP-MDL-1-18M-V0	MDLSP1-18M-19	PA66 UL94V0	Natural	18.0	1	1000
40068	GSP-MDL-1-20M-V0	MDLSP1-20M-19	PA66 UL94V0	Natural	20.0	1	1000
40070	GSP-MDL-1-22M-V0	MDLSP1-22M-19	PA66 UL94V0	Natural	22.0	1	1000
43764	GSP-MDL-1-22.5M-V0	-	PA66 UL94V0	Natural	22.5	1	1000
42064	GSP-MDL-1-26.5M-V0	-	PA66 UL94V0	Natural	26.5	1	1000
43319	GSP-MDL-1-35M-V0	-	PA66 UL94V0	Natural	35.0	1	1000
42816	GSP-MDL-1-2M-BV0	MDLSP1-02M-19BK	PA66 UL94V0	Black	2.0	1	1000
42817	GSP-MDL-1-3M-BV0	MDLSP1-03M-19BK	PA66 UL94V0	Black	3.0	1	1000
42818	GSP-MDL-1-4M-BV0	MDLSP1-04M-19BK	PA66 UL94V0	Black	4.0	1	1000
42819	GSP-MDL-1-5M-BV0	MDLSP1-05M-19BK	PA66 UL94V0	Black	5.0	1	1000
42820	GSP-MDL-1-6M-BV0	MDLSP1-06M-19BK	PA66 UL94V0	Black	6.0	1	1000
42821	GSP-MDL-1-7M-BV0	MDLSP1-07M-19BK	PA66 UL94V0	Black	7.0	1	1000
42822	GSP-MDL-1-8M-BV0	MDLSP1-08M-19BK	PA66 UL94V0	Black	8.0	1	1000
42823	GSP-MDL-1-9M-BV0	MDLSP1-09M-19BK	PA66 UL94V0	Black	9.0	1	1000
42824	GSP-MDL-1-10M-BV0	MDLSP1-10M-19BK	PA66 UL94V0	Black	10.0	1	1000
42825	GSP-MDL-1-12M-BV0	MDLSP1-12M-19BK	PA66 UL94V0	Black	12.0	1	1000
42826	GSP-MDL-1-14M-BV0	MDLSP1-14M-19BK	PA66 UL94V0	Black	14.0	1	1000
42827	GSP-MDL-1-16M-BV0	MDLSP1-16M-19BK	PA66 UL94V0	Black	16.0	1	1000
42828	GSP-MDL-1-18M-BV0	MDLSP1-18M-19BK	PA66 UL94V0	Black	18.0	1	1000
42829	GSP-MDL-1-20M-BV0	MDLSP1-20M-19BK	PA66 UL94V0	Black	20.0	1	1000
42830	GSP-MDL-1-22M-BV0	MDLSP1-22M-19BK	PA66 UL94V0	Black	22.0	1	1000
43766	GSP-MDL-1-22.5M-BV0	-	PA66 UL94V0	Black	22.5	1	1000
42831	GSP-MDL-1-26.5M-BV0	-	PA66 UL94V0	Black	26.5	1	1000
43497	GSP-MDL-1-35M-BV0	-	PA66 UL94V0	Black	35.0	1	1000
40071	GSP-MDL-2-2M-66	MDLSP2-02M-01	PA66 UL94V2	Natural	2.0	2	1000
40073	GSP-MDL-2-3M-66	MDLSP2-03M-01	PA66 UL94V2	Natural	3.0	2	1000
40075	GSP-MDL-2-4M-66	MDLSP2-04M-01	PA66 UL94V2	Natural	4.0	2	1000
40077	GSP-MDL-2-5M-66	MDLSP2-05M-01	PA66 UL94V2	Natural	5.0	2	1000
40079	GSP-MDL-2-6M-66	MDLSP2-06M-01	PA66 UL94V2	Natural	6.0	2	1000
40081	GSP-MDL-2-7M-66	MDLSP2-07M-01	PA66 UL94V2	Natural	7.0	2	1000
40083	GSP-MDL-2-8M-66	MDLSP2-08M-01	PA66 UL94V2	Natural	8.0	2	1000
41491	GSP-MDL-2-9M-66	MDLSP2-09M-01	PA66 UL94V2	Natural	9.0	2	1000
40085	GSP-MDL-2-10M-66	MDLSP2-10M-01	PA66 UL94V2	Natural	10.0	2	1000
40087	GSP-MDL-2-12M-66	MDLSP2-12M-01	PA66 UL94V2	Natural	12.0	2	1000
40089	GSP-MDL-2-14M-66	MDLSP2-14M-01	PA66 UL94V2	Natural	14.0	2	1000
40091	GSP-MDL-2-16M-66	MDLSP2-16M-01	PA66 UL94V2	Natural	16.0	2	1000
40093	GSP-MDL-2-18M-66	MDLSP2-18M-01	PA66 UL94V2	Natural	18.0	2	1000
40095	GSP-MDL-2-20M-66	MDLSP2-20M-01	PA66 UL94V2	Natural	20.0	2	1000
40097	GSP-MDL-2-22M-66	MDLSP2-22M-01	PA66 UL94V2	Natural	22.0	2	1000
42065	GSP-MDL-2-26.5M-66	-	PA66 UL94V2	Natural	26.5	2	1000
42832	GSP-MDL-2-2M-66B	MDLSP2-02M-01BK	PA66 UL94V2	Black	2.0	2	1000
42833	GSP-MDL-2-3M-66B	MDLSP2-03M-01BK	PA66 UL94V2	Black	3.0	2	1000
42834	GSP-MDL-2-4M-66B	MDLSP2-04M-01BK	PA66 UL94V2	Black	4.0	2	1000
40974	GSP-MDL-2-5M-66B	MDLSP2-05M-01BK	PA66 UL94V2	Black	5.0	2	1000
42835	GSP-MDL-2-6M-66B	MDLSP2-06M-01BK	PA66 UL94V2	Black	6.0	2	1000
42836	GSP-MDL-2-7M-66B	MDLSP2-07M-01BK	PA66 UL94V2	Black	7.0	2	1000
42837	GSP-MDL-2-8M-66B	MDLSP2-08M-01BK	PA66 UL94V2	Black	8.0	2	1000

Material: PA66 UL94V2 (GMS-01); PA66 UL94V0 (GMS-02)



DUAL LOCKING SPACER

Dual Locking Circuit Board Support MINI GSP-MDL-1/2

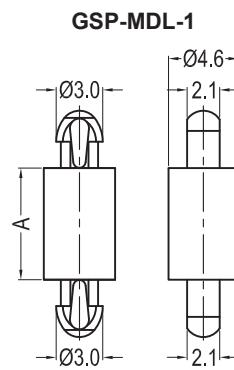


Fig.1

Top Hole: 2.5±0.05mm
Panel Thickness: 1.57mm
Bottom Hole: 2.5±0.05mm
Panel Thickness: 1.57mm

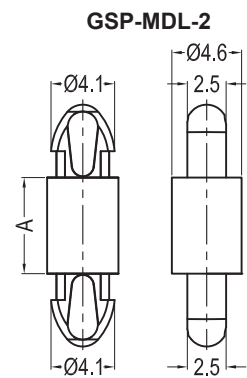


Fig.2

Top Hole: 3.5±0.05mm
Panel Thickness: 1.57mm
Bottom Hole: 3.5±0.05mm
Panel Thickness: 1.57mm

Sizes in mm

P/N.	Article No.	Cross-Ref.	Material	Color	A	FIG.	Packing Unit
42838	GSP-MDL-2-9M-66B	MDLSP2-09M-01BK	PA66 UL94V2	Black	9.0	2	1000
42839	GSP-MDL-2-10M-66B	MDLSP2-10M-01BK	PA66 UL94V2	Black	10.0	2	1000
42840	GSP-MDL-2-12M-66B	MDLSP2-12M-01BK	PA66 UL94V2	Black	12.0	2	1000
42841	GSP-MDL-2-14M-66B	MDLSP2-14M-01BK	PA66 UL94V2	Black	14.0	2	1000
42842	GSP-MDL-2-16M-66B	MDLSP2-16M-01BK	PA66 UL94V2	Black	16.0	2	1000
42843	GSP-MDL-2-18M-66B	MDLSP2-18M-01BK	PA66 UL94V2	Black	18.0	2	1000
42844	GSP-MDL-2-20M-66B	MDLSP2-20M-01BK	PA66 UL94V2	Black	20.0	2	1000
42845	GSP-MDL-2-22M-66B	MDLSP2-22M-01BK	PA66 UL94V2	Black	22.0	2	1000
42846	GSP-MDL-2-26.5M-66B	-	PA66 UL94V2	Black	26.5	2	1000
40072	GSP-MDL-2-2M-V0	MDLSP2-02M-19	PA66 UL94V0	Natural	2.0	2	1000
40074	GSP-MDL-2-3M-V0	MDLSP2-03M-19	PA66 UL94V0	Natural	3.0	2	1000
40076	GSP-MDL-2-4M-V0	MDLSP2-04M-19	PA66 UL94V0	Natural	4.0	2	1000
40078	GSP-MDL-2-5M-V0	MDLSP2-05M-19	PA66 UL94V0	Natural	5.0	2	1000
40080	GSP-MDL-2-6M-V0	MDLSP2-06M-19	PA66 UL94V0	Natural	6.0	2	1000
40082	GSP-MDL-2-7M-V0	MDLSP2-07M-19	PA66 UL94V0	Natural	7.0	2	1000
40084	GSP-MDL-2-8M-V0	MDLSP2-08M-19	PA66 UL94V0	Natural	8.0	2	1000
41493	GSP-MDL-2-9M-V0	MDLSP2-09M-19	PA66 UL94V0	Natural	9.0	2	1000
40086	GSP-MDL-2-10M-V0	MDLSP2-10M-19	PA66 UL94V0	Natural	10.0	2	1000
40088	GSP-MDL-2-12M-V0	MDLSP2-12M-19	PA66 UL94V0	Natural	12.0	2	1000
40090	GSP-MDL-2-14M-V0	MDLSP2-14M-19	PA66 UL94V0	Natural	14.0	2	1000
40092	GSP-MDL-2-16M-V0	MDLSP2-16M-19	PA66 UL94V0	Natural	16.0	2	1000
40094	GSP-MDL-2-18M-V0	MDLSP2-18M-19	PA66 UL94V0	Natural	18.0	2	1000
40096	GSP-MDL-2-20M-V0	MDLSP2-20M-19	PA66 UL94V0	Natural	20.0	2	1000
40098	GSP-MDL-2-22M-V0	MDLSP2-22M-19	PA66 UL94V0	Natural	22.0	2	1000
42066	GSP-MDL-2-26.5M-V0	-	PA66 UL94V0	Natural	26.5	2	1000
42847	GSP-MDL-2-2M-BV0	MDLSP2-02M-19BK	PA66 UL94V0	Black	2.0	2	1000
42848	GSP-MDL-2-3M-BV0	MDLSP2-03M-19BK	PA66 UL94V0	Black	3.0	2	1000
42849	GSP-MDL-2-4M-BV0	MDLSP2-04M-19BK	PA66 UL94V0	Black	4.0	2	1000
42850	GSP-MDL-2-5M-BV0	MDLSP2-05M-19BK	PA66 UL94V0	Black	5.0	2	1000
42851	GSP-MDL-2-6M-BV0	MDLSP2-06M-19BK	PA66 UL94V0	Black	6.0	2	1000
42852	GSP-MDL-2-7M-BV0	MDLSP2-07M-19BK	PA66 UL94V0	Black	7.0	2	1000
42853	GSP-MDL-2-8M-BV0	MDLSP2-08M-19BK	PA66 UL94V0	Black	8.0	2	1000
42854	GSP-MDL-2-9M-BV0	MDLSP2-09M-19BK	PA66 UL94V0	Black	9.0	2	1000
42855	GSP-MDL-2-10M-BV0	MDLSP2-10M-19BK	PA66 UL94V0	Black	10.0	2	1000
42856	GSP-MDL-2-12M-BV0	MDLSP2-12M-19BK	PA66 UL94V0	Black	12.0	2	1000
42857	GSP-MDL-2-14M-BV0	MDLSP2-14M-19BK	PA66 UL94V0	Black	14.0	2	1000
42858	GSP-MDL-2-16M-BV0	MDLSP2-16M-19BK	PA66 UL94V0	Black	16.0	2	1000
42859	GSP-MDL-2-18M-BV0	MDLSP2-18M-19BK	PA66 UL94V0	Black	18.0	2	1000
42860	GSP-MDL-2-20M-BV0	MDLSP2-20M-19BK	PA66 UL94V0	Black	20.0	2	1000
42861	GSP-MDL-2-22M-BV0	MDLSP2-22M-19B	PA66 UL94V0	Black	22.0	2	1000
42862	GSP-MDL-2-26.5M-BV0	-	PA66 UL94V0	Black	26.5	2	1000

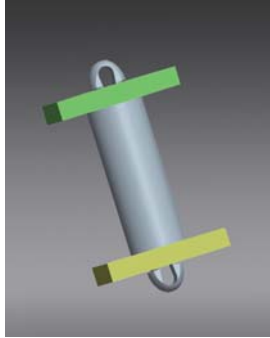
Material: PA66 UL94V2 (GMS-01); PA66 UL94V0 (GMS-02)



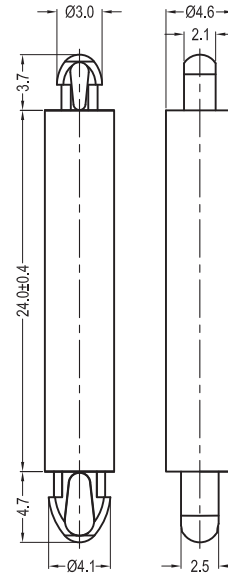
DUAL LOCKING SPACER

Dual Locking Circuit Board Support GSP-MDL-4

A



GSP-MDL-4



Top Hole: 2.5±0.05mm
 Panel Thickness: 1.57mm
 Bottom Hole: 3.5±0.05mm
 Panel Thickness: 1.57mm

Sizes in mm

<u>P/N.</u>	<u>Article No.</u>	<u>Material</u>	<u>Color</u>	<u>Packing Unit</u>
43725	GSP-MDL-4-24M-66	PA66 UL94V2	Natural	1000
43768	GSP-MDL-4-24M-66B	PA66 UL94V2	Black	1000
43767	GSP-MDL-4-24M-V0	PA66 UL94V0	Natural	1000
43769	GSP-MDL-4-24M-BV0	PA66 UL94V0	Black	1000

Material: PA66 UL94V2 (GMS-65); PA66 UL94V0 (GMS-49)

DUAL LOCKING SPACER

Dual Locking Circuit Board Support MINI GSP-MDLS-1/2

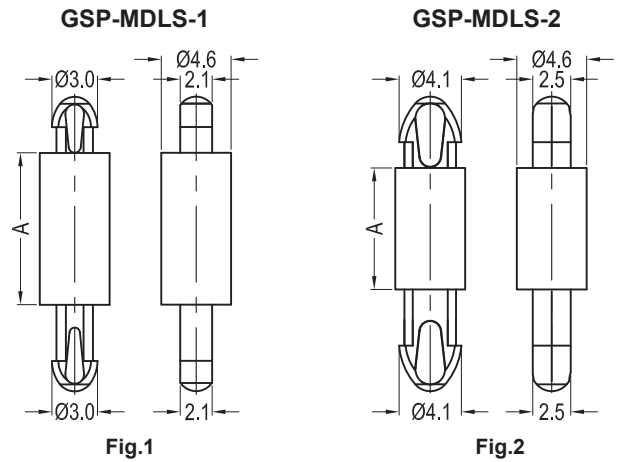


Fig.1
Top Hole: 2.5±0.05mm
Panel Thickness: 1.57mm
Bottom Hole: 2.5±0.05mm
Panel Thickness: 3.6mm

Fig.2
Top Hole: 3.5±0.05mm
Panel Thickness: 1.57mm
Bottom Hole: 3.5±0.05mm
Panel Thickness: 3.6mm

Sizes in mm

P/N.	Article No.	Cross-Ref.	Material	Color	A	FIG.	Packing Unit
40099	GSP-MDLS-1-2M-66	MDLSPK1-02M-01	PA66 UL94V2	Natural	2.0	1	1000
40101	GSP-MDLS-1-3M-66	MDLSPK1-03M-01	PA66 UL94V2	Natural	3.0	1	1000
40103	GSP-MDLS-1-4M-66	MDLSPK1-04M-01	PA66 UL94V2	Natural	4.0	1	1000
40105	GSP-MDLS-1-5M-66	MDLSPK1-05M-01	PA66 UL94V2	Natural	5.0	1	1000
40107	GSP-MDLS-1-6M-66	MDLSPK1-06M-01	PA66 UL94V2	Natural	6.0	1	1000
40109	GSP-MDLS-1-7M-66	MDLSPK1-07M-01	PA66 UL94V2	Natural	7.0	1	1000
40111	GSP-MDLS-1-8M-66	MDLSPK1-08M-01	PA66 UL94V2	Natural	8.0	1	1000
40113	GSP-MDLS-1-10M-66	MDLSPK1-10M-01	PA66 UL94V2	Natural	10.0	1	1000
40115	GSP-MDLS-1-12M-66	MDLSPK1-12M-01	PA66 UL94V2	Natural	12.0	1	1000
40117	GSP-MDLS-1-14M-66	MDLSPK1-14M-01	PA66 UL94V2	Natural	14.0	1	1000
40119	GSP-MDLS-1-16M-66	MDLSPK1-16M-01	PA66 UL94V2	Natural	16.0	1	1000
40121	GSP-MDLS-1-18M-66	MDLSPK1-18M-01	PA66 UL94V2	Natural	18.0	1	1000
40123	GSP-MDLS-1-20M-66	MDLSPK1-20M-01	PA66 UL94V2	Natural	20.0	1	1000
40125	GSP-MDLS-1-22M-66	MDLSPK1-22M-01	PA66 UL94V2	Natural	22.0	1	1000
40100	GSP-MDLS-1-2M-V0	MDLSPK1-02M-19	PA66 UL94V0	Natural	2.0	1	1000
40102	GSP-MDLS-1-3M-V0	MDLSPK1-03M-19	PA66 UL94V0	Natural	3.0	1	1000
40104	GSP-MDLS-1-4M-V0	MDLSPK1-04M-19	PA66 UL94V0	Natural	4.0	1	1000
40106	GSP-MDLS-1-5M-V0	MDLSPK1-05M-19	PA66 UL94V0	Natural	5.0	1	1000
40108	GSP-MDLS-1-6M-V0	MDLSPK1-06M-19	PA66 UL94V0	Natural	6.0	1	1000
40110	GSP-MDLS-1-7M-V0	MDLSPK1-07M-19	PA66 UL94V0	Natural	7.0	1	1000
40112	GSP-MDLS-1-8M-V0	MDLSPK1-08M-19	PA66 UL94V0	Natural	8.0	1	1000
40114	GSP-MDLS-1-10M-V0	MDLSPK1-10M-19	PA66 UL94V0	Natural	10.0	1	1000
40116	GSP-MDLS-1-12M-V0	MDLSPK1-12M-19	PA66 UL94V0	Natural	12.0	1	1000
40118	GSP-MDLS-1-14M-V0	MDLSPK1-14M-19	PA66 UL94V0	Natural	14.0	1	1000
40120	GSP-MDLS-1-16M-V0	MDLSPK1-16M-19	PA66 UL94V0	Natural	16.0	1	1000
40122	GSP-MDLS-1-18M-V0	MDLSPK1-18M-19	PA66 UL94V0	Natural	18.0	1	1000
40124	GSP-MDLS-1-20M-V0	MDLSPK1-20M-19	PA66 UL94V0	Natural	20.0	1	1000
40126	GSP-MDLS-1-22M-V0	MDLSPK1-22M-19	PA66 UL94V0	Natural	22.0	1	1000

Material: PA66 UL94V2 (GMS-01); PA66 UL94V0 (GMS-02)



DUAL LOCKING SPACER

Dual Locking Circuit Board Support MINI GSP-MDLS-1/2

A

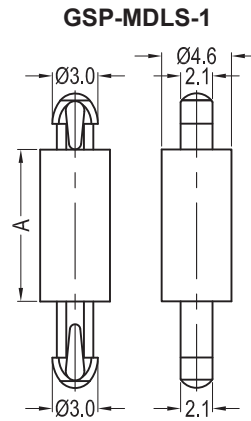


Fig.1

Top Hole: 2.5±0.05mm
Panel Thickness: 1.57mm
Bottom Hole: 2.5±0.05mm
Panel Thickness: 3.6mm

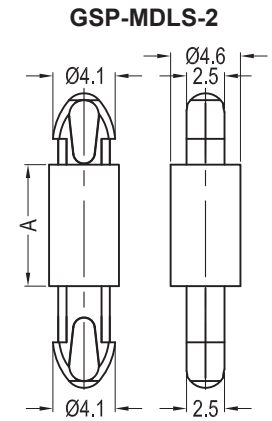
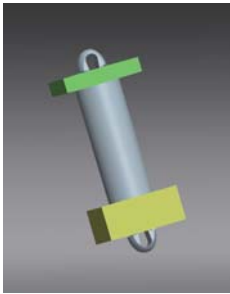


Fig.2

Top Hole: 3.5±0.05mm
Panel Thickness: 1.57mm
Bottom Hole: 3.5±0.05mm
Panel Thickness: 3.6mm

Sizes in mm



P/N.	Article No.	Cross-Ref.	Material	Color	A	FIG.	Packing Unit
40127	GSP-MDLS-2-2M-66	MDLSPK2-02M-01	PA66 UL94V2	Natural	2.0	2	1000
40129	GSP-MDLS-2-3M-66	MDLSPK2-03M-01	PA66 UL94V2	Natural	3.0	2	1000
40131	GSP-MDLS-2-4M-66	MDLSPK2-04M-01	PA66 UL94V2	Natural	4.0	2	1000
40133	GSP-MDLS-2-5M-66	MDLSPK2-05M-01	PA66 UL94V2	Natural	5.0	2	1000
40135	GSP-MDLS-2-6M-66	MDLSPK2-06M-01	PA66 UL94V2	Natural	6.0	2	1000
40137	GSP-MDLS-2-7M-66	MDLSPK2-07M-01	PA66 UL94V2	Natural	7.0	2	1000
40139	GSP-MDLS-2-8M-66	MDLSPK2-08M-01	PA66 UL94V2	Natural	8.0	2	1000
40141	GSP-MDLS-2-10M-66	MDLSPK2-10M-01	PA66 UL94V2	Natural	10.0	2	1000
40143	GSP-MDLS-2-12M-66	MDLSPK2-12M-01	PA66 UL94V2	Natural	12.0	2	1000
40145	GSP-MDLS-2-14M-66	MDLSPK2-14M-01	PA66 UL94V2	Natural	14.0	2	1000
40147	GSP-MDLS-2-16M-66	MDLSPK2-16M-01	PA66 UL94V2	Natural	16.0	2	1000
40149	GSP-MDLS-2-18M-66	MDLSPK2-18M-01	PA66 UL94V2	Natural	18.0	2	1000
40151	GSP-MDLS-2-20M-66	MDLSPK2-20M-01	PA66 UL94V2	Natural	20.0	2	1000
40153	GSP-MDLS-2-22M-66	MDLSPK2-22M-01	PA66 UL94V2	Natural	22.0	2	1000
40128	GSP-MDLS-2-2M-V0	MDLSPK2-02M-19	PA66 UL94V0	Natural	2.0	2	1000
40130	GSP-MDLS-2-3M-V0	MDLSPK2-03M-19	PA66 UL94V0	Natural	3.0	2	1000
40132	GSP-MDLS-2-4M-V0	MDLSPK2-04M-19	PA66 UL94V0	Natural	4.0	2	1000
40134	GSP-MDLS-2-5M-V0	MDLSPK2-05M-19	PA66 UL94V0	Natural	5.0	2	1000
40136	GSP-MDLS-2-6M-V0	MDLSPK2-06M-19	PA66 UL94V0	Natural	6.0	2	1000
40138	GSP-MDLS-2-7M-V0	MDLSPK2-07M-19	PA66 UL94V0	Natural	7.0	2	1000
40140	GSP-MDLS-2-8M-V0	MDLSPK2-08M-19	PA66 UL94V0	Natural	8.0	2	1000
40142	GSP-MDLS-2-10M-V0	MDLSPK2-10M-19	PA66 UL94V0	Natural	10.0	2	1000
40144	GSP-MDLS-2-12M-V0	MDLSPK2-12M-19	PA66 UL94V0	Natural	12.0	2	1000
40146	GSP-MDLS-2-14M-V0	MDLSPK2-14M-19	PA66 UL94V0	Natural	14.0	2	1000
40148	GSP-MDLS-2-16M-V0	MDLSPK2-16M-19	PA66 UL94V0	Natural	16.0	2	1000
40150	GSP-MDLS-2-18M-V0	MDLSPK2-18M-19	PA66 UL94V0	Natural	18.0	2	1000
40152	GSP-MDLS-2-20M-V0	MDLSPK2-20M-19	PA66 UL94V0	Natural	20.0	2	1000
40154	GSP-MDLS-2-22M-V0	MDLSPK2-22M-19	PA66 UL94V0	Natural	22.0	2	1000

Material: PA66 UL94V2 (GMS-01); PA66 UL94V0 (GMS-02)



DUAL LOCKING SPACER

Locking Circuit Board Support GSP-MDL-3/GDLSPTH/GNPR2007

GDLSPTH

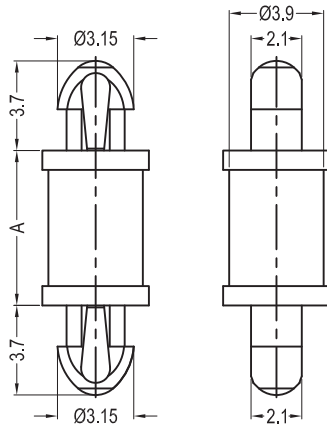


Fig.1

Top Hole: 2.54±0.05mm
Panel Thickness: 1.63mm
Bottom Hole: 2.54±0.05mm
Panel Thickness: 1.63mm

GSP-MDL-3

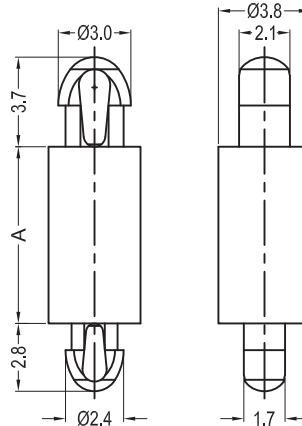


Fig.2

Top Hole: 2.5±0.05mm
Panel Thickness: 1.6mm
Bottom Hole: 2.0±0.05mm
Panel Thickness: 1.0mm

GNPR2007

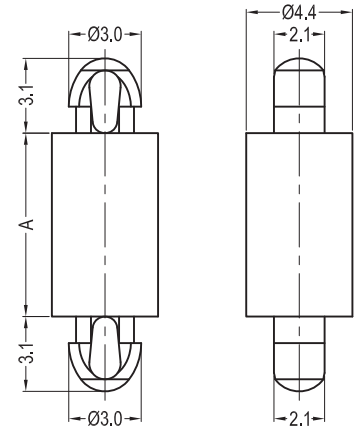


Fig.3

Top Hole: 2.5±0.05mm
Panel Thickness: 0.95mm
Bottom Hole: 2.5±0.05mm
Panel Thickness: 0.95mm

Sizes in mm



P/N.	Article No.	Cross-Ref.	Material	Color	A	FIG.	Packing Unit
40183	GDLSPTH-1-66	DLCBST-1-01	PA66 UL94V2	Natural	1.6	1	1000
40184	GDLSPTH-2-66	DLCBST-2-01	PA66 UL94V2	Natural	3.2	1	1000
40185	GDLSPTH-3-66	DLCBST-3-01	PA66 UL94V2	Natural	4.8	1	1000
40187	GDLSPTH-4-66	DLCBST-4-01	PA66 UL94V2	Natural	6.4	1	1000
40188	GDLSPTH-5-66	DLCBST-5-01	PA66 UL94V2	Natural	7.9	1	1000
40189	GDLSPTH-6-66	DLCBST-6-01	PA66 UL94V2	Natural	9.5	1	1000
40190	GDLSPTH-7-66	DLCBST-7-01	PA66 UL94V2	Natural	11.1	1	1000
40191	GDLSPTH-8-66	DLCBST-8-01	PA66 UL94V2	Natural	12.7	1	1000
40192	GDLSPTH-9-66	DLCBST-9-01	PA66 UL94V2	Natural	14.3	1	1000
40193	GDLSPTH-10-66	DLCBST-10-01	PA66 UL94V2	Natural	15.9	1	1000
41232	GDLSPTH-14-66	DLCBST-14-01	PA66 UL94V2	Natural	22.2	1	1000
41496	GDLSPTH-1-66B	DLCBST-1-01BK	PA66 UL94V2	Black	1.6	1	1000
41497	GDLSPTH-2-66B	DLCBST-2-01BK	PA66 UL94V2	Black	3.2	1	1000
41498	GDLSPTH-3-66B	DLCBST-3-01BK	PA66 UL94V2	Black	4.8	1	1000
41499	GDLSPTH-4-66B	DLCBST-4-01BK	PA66 UL94V2	Black	6.4	1	1000
41500	GDLSPTH-5-66B	DLCBST-5-01BK	PA66 UL94V2	Black	7.9	1	1000
41501	GDLSPTH-6-66B	DLCBST-6-01BK	PA66 UL94V2	Black	9.5	1	1000
41502	GDLSPTH-7-66B	DLCBST-7-01BK	PA66 UL94V2	Black	11.1	1	1000
41503	GDLSPTH-8-66B	DLCBST-8-01BK	PA66 UL94V2	Black	12.7	1	1000
41504	GDLSPTH-9-66B	DLCBST-9-01BK	PA66 UL94V2	Black	14.3	1	1000
41505	GDLSPTH-10-66B	DLCBST-10-01BK	PA66 UL94V2	Black	15.9	1	1000
40877	GDLSPTH-14-66B	DLCBST-14-01BK	PA66 UL94V2	Black	22.2	1	1000
41435	GDLSPTH-1-V0	DLCBST-1-19	PA66 UL94V0	Natural	1.6	1	1000

Material: PA66 UL94V2 (GMS-01); PA66 UL94V0 (GMS-02)



sales@sucatec.com



www.sucatec.com

DUAL LOCKING SPACER

Locking Circuit Board Support GSP-MDL-3/GDLSPTH/GNPR2007

A

GDLSPTH

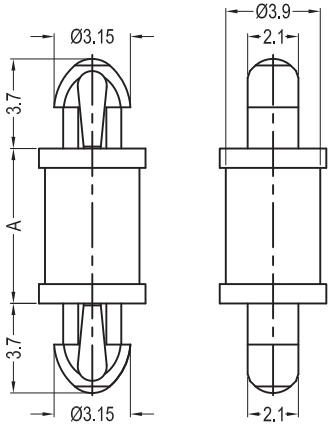


Fig.1

Top Hole: 2.54±0.05mm
Panel Thickness: 1.63mm
Bottom Hole: 2.54±0.05mm
Panel Thickness: 1.63mm

GSP-MDL-3

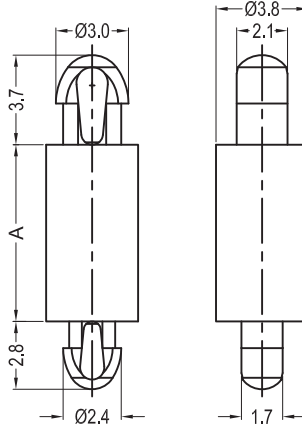


Fig.2

Top Hole: 2.5±0.05mm
Panel Thickness: 1.6mm
Bottom Hole: 2.0±0.05mm
Panel Thickness: 1.0mm

GNPR2007

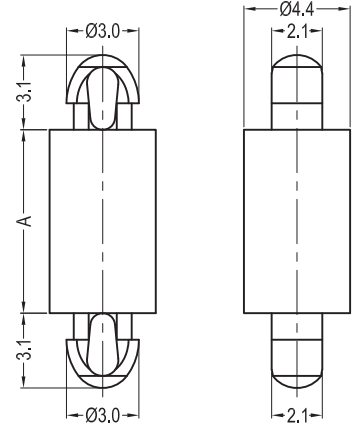


Fig.3

Top Hole: 2.5±0.05mm
Panel Thickness: 0.95mm
Bottom Hole: 2.5±0.05mm
Panel Thickness: 0.95mm

Sizes in mm



P/N.	Article No.	Cross-Ref.	Material	Color	A	FIG.	Packing Unit
41436	GDLSPTH-2-V0	DLCBST-2-19	PA66 UL94V0	Natural	3.2	1	1000
41437	GDLSPTH-3-V0	DLCBST-3-19	PA66 UL94V0	Natural	4.8	1	1000
41438	GDLSPTH-4-V0	DLCBST-4-19	PA66 UL94V0	Natural	6.4	1	1000
41439	GDLSPTH-5-V0	DLCBST-5-19	PA66 UL94V0	Natural	7.9	1	1000
41440	GDLSPTH-6-V0	DLCBST-6-19	PA66 UL94V0	Natural	9.5	1	1000
41441	GDLSPTH-7-V0	DLCBST-7-19	PA66 UL94V0	Natural	11.1	1	1000
41442	GDLSPTH-8-V0	DLCBST-8-19	PA66 UL94V0	Natural	12.7	1	1000
41443	GDLSPTH-9-V0	DLCBST-9-19	PA66 UL94V0	Natural	14.3	1	1000
41444	GDLSPTH-10-V0	DLCBST-10-19	PA66 UL94V0	Natural	15.9	1	1000
41796	GDLSPTH-14-V0	DLCBST-14-19	PA66 UL94V0	Natural	22.2	1	1000
41190	GSP-MDL-3-1-66	MDLSP3-1-01	PA66 UL94V2	Natural	1.6	2	1000
41191	GSP-MDL-3-2-66	MDLSP3-2-01	PA66 UL94V2	Natural	3.2	2	1000
41192	GSP-MDL-3-3-66	MDLSP3-3-01	PA66 UL94V2	Natural	4.8	2	1000
41193	GSP-MDL-3-4-66	MDLSP3-4-01	PA66 UL94V2	Natural	6.4	2	1000
41194	GSP-MDL-3-5-66	MDLSP3-5-01	PA66 UL94V2	Natural	7.9	2	1000
41195	GSP-MDL-3-6-66	MDLSP3-6-01	PA66 UL94V2	Natural	9.5	2	1000
41765	GSP-MDL-3-1-V0	MDLSP3-1-19	PA66 UL94V0	Natural	1.6	2	1000
41766	GSP-MDL-3-2-V0	MDLSP3-2-19	PA66 UL94V0	Natural	3.2	2	1000
41767	GSP-MDL-3-3-V0	MDLSP3-3-19	PA66 UL94V0	Natural	4.8	2	1000
41768	GSP-MDL-3-4-V0	MDLSP3-4-19	PA66 UL94V0	Natural	6.4	2	1000
41769	GSP-MDL-3-5-V0	MDLSP3-5-19	PA66 UL94V0	Natural	7.9	2	1000
41770	GSP-MDL-3-6-V0	MDLSP3-6-19	PA66 UL94V0	Natural	9.5	2	1000
41271	GNPR2007-476	-	PA66 UL94V2	Natural	12.7	3	1000

Material: PA66 UL94V2 (GMS-01); PA66 UL94V0 (GMS-02)

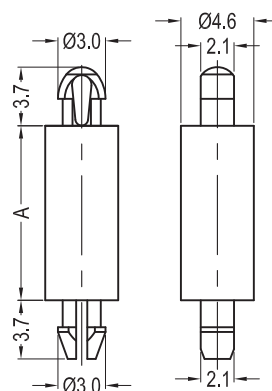


DUAL LOCKING SPACER

Mini Locking-/Round Circuit Board Support GSP-MDL-AH



GSP-MDL-AH-1



GSP-MDL-AH-3

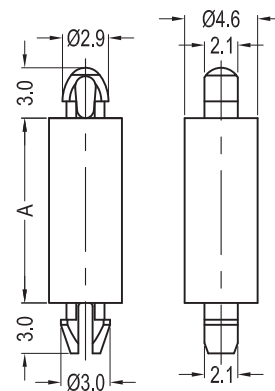


Fig.1

Top Hole: 2.5±0.05mm
Panel Thickness: 1.57mm
Bottom Hole: 2.5±0.05mm
Panel Thickness: 1.57mm

Fig.2

Top Hole: 2.5±0.05mm
Panel Thickness: 0.9mm
Bottom Hole: 2.5±0.05mm
Panel Thickness: 0.9mm

Sizes in mm

P/N.	Article No.	Material	Color	A	FIG.	Packing Unit
40155	GSP-MDL-AH-1-2M-66	PA66 UL94V2	Natural	2.0	1	1000
40157	GSP-MDL-AH-1-3M-66	PA66 UL94V2	Natural	3.0	1	1000
40159	GSP-MDL-AH-1-4M-66	PA66 UL94V2	Natural	4.0	1	1000
40161	GSP-MDL-AH-1-5M-66	PA66 UL94V2	Natural	5.0	1	1000
40163	GSP-MDL-AH-1-6M-66	PA66 UL94V2	Natural	6.0	1	1000
40165	GSP-MDL-AH-1-7M-66	PA66 UL94V2	Natural	7.0	1	1000
40167	GSP-MDL-AH-1-8M-66	PA66 UL94V2	Natural	8.0	1	1000
40169	GSP-MDL-AH-1-10M-66	PA66 UL94V2	Natural	10.0	1	1000
40171	GSP-MDL-AH-1-12M-66	PA66 UL94V2	Natural	12.0	1	1000
40173	GSP-MDL-AH-1-14M-66	PA66 UL94V2	Natural	14.0	1	1000
40175	GSP-MDL-AH-1-16M-66	PA66 UL94V2	Natural	16.0	1	1000
40177	GSP-MDL-AH-1-18M-66	PA66 UL94V2	Natural	18.0	1	1000
40179	GSP-MDL-AH-1-20M-66	PA66 UL94V2	Natural	20.0	1	1000
40181	GSP-MDL-AH-1-22M-66	PA66 UL94V2	Natural	22.0	1	1000
40156	GSP-MDL-AH-1-2M-V0	PA66 UL94V0	Natural	2.0	1	1000
40158	GSP-MDL-AH-1-3M-V0	PA66 UL94V0	Natural	3.0	1	1000
40160	GSP-MDL-AH-1-4M-V0	PA66 UL94V0	Natural	4.0	1	1000
40162	GSP-MDL-AH-1-5M-V0	PA66 UL94V0	Natural	5.0	1	1000
40164	GSP-MDL-AH-1-6M-V0	PA66 UL94V0	Natural	6.0	1	1000
40166	GSP-MDL-AH-1-7M-V0	PA66 UL94V0	Natural	7.0	1	1000
40168	GSP-MDL-AH-1-8M-V0	PA66 UL94V0	Natural	8.0	1	1000
40170	GSP-MDL-AH-1-10M-V0	PA66 UL94V0	Natural	10.0	1	1000
40172	GSP-MDL-AH-1-12M-V0	PA66 UL94V0	Natural	12.0	1	1000
40174	GSP-MDL-AH-1-14M-V0	PA66 UL94V0	Natural	14.0	1	1000
40176	GSP-MDL-AH-1-16M-V0	PA66 UL94V0	Natural	16.0	1	1000
40178	GSP-MDL-AH-1-18M-V0	PA66 UL94V0	Natural	18.0	1	1000
40180	GSP-MDL-AH-1-20M-V0	PA66 UL94V0	Natural	20.0	1	1000
40182	GSP-MDL-AH-1-22M-V0	PA66 UL94V0	Natural	22.0	1	1000
43325	GSP-MDL-AH-3-8M-V0	PA66 UL94V0	Natural	8.0	2	1000

Material: PA66 UL94V2 (GMS-01); PA66 UL94V0 (GMS-02)



sales@sucatec.com



www.sucatec.com

DUAL LOCKING SPACER

Mini Support Post GMCBP/GCBP

A

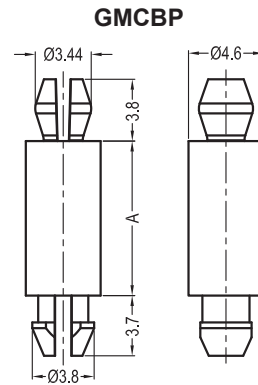


Fig.1

Top Hole: 3.18±0.05mm
Panel Thickness: 1.57mm
Bottom Hole: 3.18±0.05mm
Panel Thickness: 1.57mm

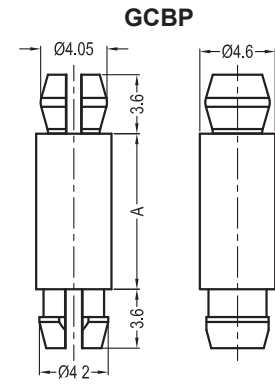


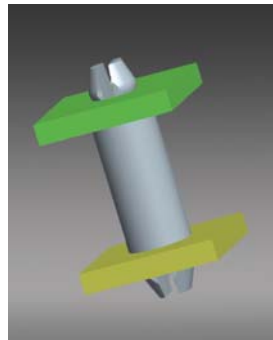
Fig.2

Top Hole: 3.86±0.05mm
Panel Thickness: 1.57mm
Bottom Hole: 3.86±0.05mm
Panel Thickness: 1.57mm

Sizes in mm

P/N.	Article No.	Cross-Ref.	Material	Color	A	FIG.	Packing Unit
40458	GMCBP-01-66	-	PA66 UL94V2	Natural	2.0	1	1000
40457	GMCBP-1S-66	-	PA66 UL94V2	Natural	2.54	1	1000
40459	GMCBP-02-66	MSMPM-2-01	PA66 UL94V2	Natural	3.2	1	1000
42276	GMCBP-4M-66	-	PA66 UL94V2	Natural	4.0	1	1000
40460	GMCBP-03-66	MSMPM-3-01	PA66 UL94V2	Natural	4.8	1	1000
40461	GMCBP-04-66	MSMPM-4-01	PA66 UL94V2	Natural	6.4	1	1000
40462	GMCBP-05-66	MSMPM-5-01	PA66 UL94V2	Natural	7.9	1	1000
40464	GMCBP-06-66	MSMPM-6-01	PA66 UL94V2	Natural	9.5	1	1000
40465	GMCBP-07-66	MSMPM-7-01	PA66 UL94V2	Natural	11.1	1	1000
40466	GMCBP-08-66	MSMPM-8-01	PA66 UL94V2	Natural	12.7	1	1000
40467	GMCBP-09-66	MSMPM-9-01	PA66 UL94V2	Natural	14.3	1	1000
40468	GMCBP-10-66	MSMPM-10-01	PA66 UL94V2	Natural	15.9	1	1000
40469	GMCBP-11-66	-	PA66 UL94V2	Natural	17.5	1	1000
40470	GMCBP-12-66	MSMPM-12-01	PA66 UL94V2	Natural	19.1	1	1000
40471	GMCBP-13-66	MSMPM-13-01	PA66 UL94V2	Natural	20.6	1	1000
40472	GMCBP-14-66	MSMPM-14-01	PA66 UL94V2	Natural	22.2	1	1000
40473	GMCBP-16-66	MSMPM-16-01	PA66 UL94V2	Natural	25.4	1	1000
40474	GMCBP-18-66	MSMPM-18-01	PA66 UL94V2	Natural	28.6	1	1000
40476	GMCBP-20-66	MSMPM-20-01	PA66 UL94V2	Natural	31.7	1	1000
40478	GMCBP-22-66	MSMPM-22-01	PA66 UL94V2	Natural	34.9	1	1000
40479	GMCBP-24-66	MSMPM-24-01	PA66 UL94V2	Natural	38.1	1	1000
41043	GMCBP-01-V0	-	PA66 UL94V0	Natural	2.0	1	1000
41042	GMCBP-1S-V0	-	PA66 UL94V0	Natural	2.54	1	1000
41044	GMCBP-02-V0	MSMPM-2-19	PA66 UL94V0	Natural	3.2	1	1000
40797	GMCBP-4M-V0	-	PA66 UL94V0	Natural	4.0	1	1000
41045	GMCBP-03-V0	MSMPM-3-19	PA66 UL94V0	Natural	4.8	1	1000
41046	GMCBP-04-V0	MSMPM-4-19	PA66 UL94V0	Natural	6.4	1	1000
41047	GMCBP-05-V0	MSMPM-5-19	PA66 UL94V0	Natural	7.9	1	1000
41048	GMCBP-06-V0	MSMPM-6-19	PA66 UL94V0	Natural	9.5	1	1000
41049	GMCBP-07-V0	MSMPM-7-19	PA66 UL94V0	Natural	11.1	1	1000
41050	GMCBP-08-V0	MSMPM-8-19	PA66 UL94V0	Natural	12.7	1	1000
41051	GMCBP-09-V0	MSMPM-9-19	PA66 UL94V0	Natural	14.3	1	1000
41052	GMCBP-10-V0	MSMPM-10-19	PA66 UL94V0	Natural	15.9	1	1000
41053	GMCBP-11-V0	-	PA66 UL94V0	Natural	17.5	1	1000
41054	GMCBP-12-V0	MSMPM-12-19	PA66 UL94V0	Natural	19.1	1	1000
41055	GMCBP-13-V0	MSMPM-13-19	PA66 UL94V0	Natural	20.6	1	1000
41056	GMCBP-14-V0	MSMPM-14-19	PA66 UL94V0	Natural	22.2	1	1000
41057	GMCBP-16-V0	MSMPM-16-19	PA66 UL94V0	Natural	25.4	1	1000
41058	GMCBP-18-V0	MSMPM-18-19	PA66 UL94V0	Natural	28.6	1	1000
41059	GMCBP-20-V0	MSMPM-20-19	PA66 UL94V0	Natural	31.7	1	1000
41060	GMCBP-22-V0	MSMPM-22-19	PA66 UL94V0	Natural	34.9	1	1000
41061	GMCBP-24-V0	MSMPM-24-19	PA66 UL94V0	Natural	38.1	1	1000

Material: PA66 UL94V2 (GMS-01); PA66 UL94V0 (GMS-02)



DUAL LOCKING SPACER

Mini Support Post GMCBP/GCBP

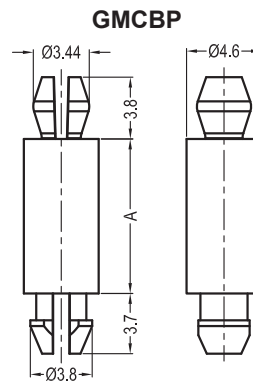


Fig.1

Top Hole: 3.18±0.05mm
Panel Thickness: 1.57mm
Bottom Hole: 3.18±0.05mm
Panel Thickness: 1.57mm

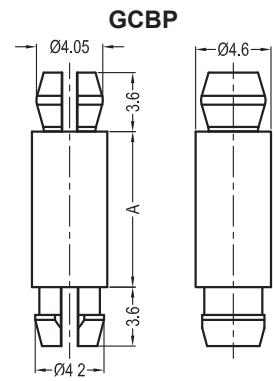


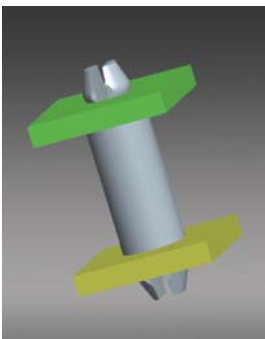
Fig.2

Top Hole: 3.86±0.05mm
Panel Thickness: 1.57mm
Bottom Hole: 3.86±0.05mm
Panel Thickness: 1.57mm

Sizes in mm

P/N.	Article No.	Cross-Ref.	Material	Color	A	FIG.	Packing Unit
42281	GCBP-01-66	-	PA66 UL94V2	Natural	2.0	2	1000
42279	GCBP-1S-66	-	PA66 UL94V2	Natural	2.54	2	1000
40419	GCBP-02-66	MSP-2-01	PA66 UL94V2	Natural	3.2	2	1000
42283	GCBP-4M-66	-	PA66 UL94V2	Natural	4.0	2	1000
40421	GCBP-03-66	MSP-3-01	PA66 UL94V2	Natural	4.8	2	1000
40423	GCBP-04-66	MSP-4-01	PA66 UL94V2	Natural	6.4	2	1000
40425	GCBP-05-66	MSP-5-01	PA66 UL94V2	Natural	7.9	2	1000
40427	GCBP-06-66	MSP-6-01	PA66 UL94V2	Natural	9.5	2	1000
40429	GCBP-07-66	MSP-7-01	PA66 UL94V2	Natural	11.1	2	1000
40431	GCBP-08-66	MSP-8-01	PA66 UL94V2	Natural	12.7	2	1000
40433	GCBP-09-66	MSP-9-01	PA66 UL94V2	Natural	14.3	2	1000
40435	GCBP-10-66	MSP-10-01	PA66 UL94V2	Natural	15.9	2	1000
40437	GCBP-11-66	MSP-11-01	PA66 UL94V2	Natural	17.5	2	1000
40439	GCBP-12-66	MSP-12-01	PA66 UL94V2	Natural	19.1	2	1000
40441	GCBP-13-66	MSP-13-01	PA66 UL94V2	Natural	20.6	2	1000
40443	GCBP-14-66	MSP-14-01	PA66 UL94V2	Natural	22.2	2	1000
40446	GCBP-16-66	MSP-16-01	PA66 UL94V2	Natural	25.4	2	1000
40448	GCBP-18-66	MSP-18-01	PA66 UL94V2	Natural	28.6	2	1000
40450	GCBP-20-66	MSP-20-01	PA66 UL94V2	Natural	31.7	2	1000
40453	GCBP-22-66	MSP-22-01	PA66 UL94V2	Natural	34.9	2	1000
40455	GCBP-24-66	MSP-24-01	PA66 UL94V2	Natural	38.1	2	1000
42282	GCBP-01-V0	-	PA66 UL94V0	Natural	2.0	2	1000
42280	GCBP-1S-V0	-	PA66 UL94V0	Natural	2.54	2	1000
40420	GCBP-02-V0	MSP-2-19	PA66 UL94V0	Natural	3.2	2	1000
42284	GCBP-4M-V0	-	PA66 UL94V0	Natural	4.0	2	1000
40422	GCBP-03-V0	MSP-3-19	PA66 UL94V0	Natural	4.8	2	1000
40424	GCBP-04-V0	MSP-4-19	PA66 UL94V0	Natural	6.4	2	1000
40426	GCBP-05-V0	MSP-5-19	PA66 UL94V0	Natural	7.9	2	1000
40428	GCBP-06-V0	MSP-6-19	PA66 UL94V0	Natural	9.5	2	1000
40430	GCBP-07-V0	MSP-7-19	PA66 UL94V0	Natural	11.1	2	1000
40432	GCBP-08-V0	MSP-8-19	PA66 UL94V0	Natural	12.7	2	1000
40434	GCBP-09-V0	MSP-9-19	PA66 UL94V0	Natural	14.3	2	1000
40436	GCBP-10-V0	MSP-10-19	PA66 UL94V0	Natural	15.9	2	1000
40438	GCBP-11-V0	MSP-11-19	PA66 UL94V0	Natural	17.5	2	1000
40440	GCBP-12-V0	MSP-12-19	PA66 UL94V0	Natural	19.1	2	1000
40442	GCBP-13-V0	MSP-13-19	PA66 UL94V0	Natural	20.6	2	1000
40444	GCBP-14-V0	MSP-14-19	PA66 UL94V0	Natural	22.2	2	1000
40447	GCBP-16-V0	MSP-16-19	PA66 UL94V0	Natural	25.4	2	1000
40449	GCBP-18-V0	MSP-18-19	PA66 UL94V0	Natural	28.6	2	1000
40451	GCBP-20-V0	MSP-20-19	PA66 UL94V0	Natural	31.7	2	1000
40454	GCBP-22-V0	MSP-22-19	PA66 UL94V0	Natural	34.9	2	1000
40456	GCBP-24-V0	MSP-24-19	PA66 UL94V0	Natural	38.1	2	1000

Material: PA66 UL94V2 (GMS-01); PA66 UL94V0 (GMS-02)



DUAL LOCKING SPACER

Mini Support Post GMSPDLN/GMSPDL

A

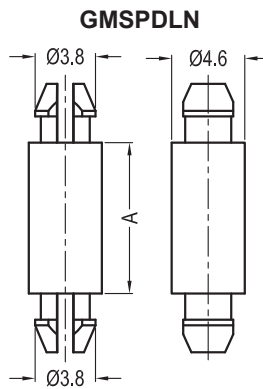


Fig.1

Top Hole: 3.18±0.05mm
Panel Thickness: 1.57mm
Bottom Hole: 3.18±0.05mm
Panel Thickness: 1.57mm

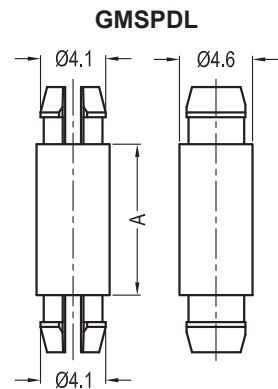


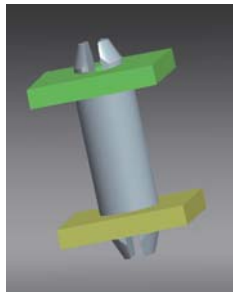
Fig.2

Top Hole: 3.86±0.05mm
Panel Thickness: 1.57mm
Bottom Hole: 3.86±0.05mm
Panel Thickness: 1.57mm

Sizes in mm

P/N.	Article No.	Cross-Ref.	Material	Color	A	FIG.	Packing Unit
40480	GMSPDLN-2-66	DLMSPM-2-01	PA66 UL94V2	Natural	3.2	1	1000
40482	GMSPDLN-3-66	DLMSPM-3-01	PA66 UL94V2	Natural	4.8	1	1000
40484	GMSPDLN-4-66	DLMSPM-4-01	PA66 UL94V2	Natural	6.4	1	1000
40487	GMSPDLN-5-66	DLMSPM-5-01	PA66 UL94V2	Natural	7.9	1	1000
40489	GMSPDLN-6-66	DLMSPM-6-01	PA66 UL94V2	Natural	9.5	1	1000
40491	GMSPDLN-7-66	DLMSPM-7-01	PA66 UL94V2	Natural	11.1	1	1000
40493	GMSPDLN-8-66	DLMSPM-8-01	PA66 UL94V2	Natural	12.7	1	1000
40495	GMSPDLN-9-66	DLMSPM-9-01	PA66 UL94V2	Natural	14.3	1	1000
40497	GMSPDLN-10-66	DLMSPM-10-01	PA66 UL94V2	Natural	15.9	1	1000
40500	GMSPDLN-11-66	DLMSPM-11-01	PA66 UL94V2	Natural	17.5	1	1000
40502	GMSPDLN-12-66	DLMSPM-12-01	PA66 UL94V2	Natural	19.1	1	1000
40504	GMSPDLN-13-66	DLMSPM-13-01	PA66 UL94V2	Natural	20.6	1	1000
40506	GMSPDLN-14-66	DLMSPM-14-01	PA66 UL94V2	Natural	22.2	1	1000
40508	GMSPDLN-16-66	DLMSPM-16-01	PA66 UL94V2	Natural	25.4	1	1000
40510	GMSPDLN-18-66	DLMSPM-18-01	PA66 UL94V2	Natural	28.6	1	1000
40512	GMSPDLN-20-66	DLMSPM-20-01	PA66 UL94V2	Natural	31.7	1	1000
40515	GMSPDLN-22-66	DLMSPM-22-01	PA66 UL94V2	Natural	34.9	1	1000
40517	GMSPDLN-24-66	DLMSPM-24-01	PA66 UL94V2	Natural	38.1	1	1000
40481	GMSPDLN-2-V0	DLMSPM-2-19	PA66 UL94V0	Natural	3.2	1	1000
40483	GMSPDLN-3-V0	DLMSPM-3-19	PA66 UL94V0	Natural	4.8	1	1000
40485	GMSPDLN-4-V0	DLMSPM-4-19	PA66 UL94V0	Natural	6.4	1	1000
40488	GMSPDLN-5-V0	DLMSPM-5-19	PA66 UL94V0	Natural	7.9	1	1000
40490	GMSPDLN-6-V0	DLMSPM-6-19	PA66 UL94V0	Natural	9.5	1	1000
40492	GMSPDLN-7-V0	DLMSPM-7-19	PA66 UL94V0	Natural	11.1	1	1000
40494	GMSPDLN-8-V0	DLMSPM-8-19	PA66 UL94V0	Natural	12.7	1	1000
40496	GMSPDLN-9-V0	DLMSPM-9-19	PA66 UL94V0	Natural	14.3	1	1000
40498	GMSPDLN-10-V0	DLMSPM-10-19	PA66 UL94V0	Natural	15.9	1	1000
40501	GMSPDLN-11-V0	DLMSPM-11-19	PA66 UL94V0	Natural	17.5	1	1000
40503	GMSPDLN-12-V0	DLMSPM-12-19	PA66 UL94V0	Natural	19.1	1	1000
40505	GMSPDLN-13-V0	DLMSPM-13-19	PA66 UL94V0	Natural	20.6	1	1000
40507	GMSPDLN-14-V0	DLMSPM-14-19	PA66 UL94V0	Natural	22.2	1	1000
40509	GMSPDLN-16-V0	DLMSPM-16-19	PA66 UL94V0	Natural	25.4	1	1000
40511	GMSPDLN-18-V0	DLMSPM-18-19	PA66 UL94V0	Natural	28.6	1	1000
40513	GMSPDLN-20-V0	DLMSPM-20-19	PA66 UL94V0	Natural	31.7	1	1000
40516	GMSPDLN-22-V0	DLMSPM-22-19	PA66 UL94V0	Natural	34.9	1	1000
40518	GMSPDLN-24-V0	DLMSPM-24-19	PA66 UL94V0	Natural	38.1	1	1000

Material: PA66 UL94V2 (GMS-01); PA66 UL94V0 (GMS-02)



DUAL LOCKING SPACER

Mini Support Post GMSPDLN/GMSPDL

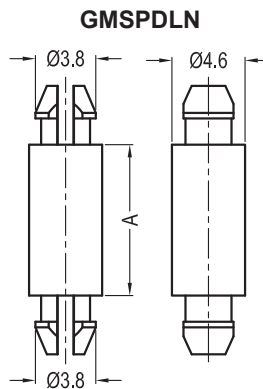
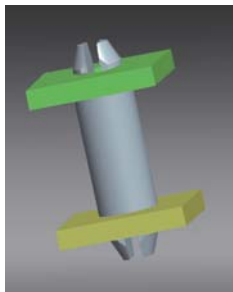


Fig.1

Top Hole: 3.18±0.05mm
Panel Thickness: 1.57mm
Bottom Hole: 3.18±0.05mm
Panel Thickness: 1.57mm

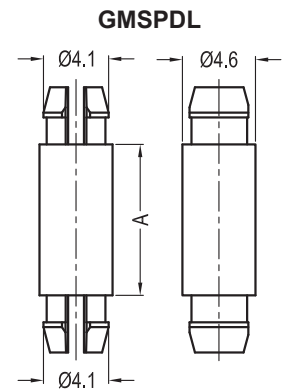


Fig.2

Top Hole: 3.86±0.05mm
Panel Thickness: 1.57mm
Bottom Hole: 3.86±0.05mm
Panel Thickness: 1.57mm

Sizes in mm

P/N.	Article No.	Cross-Ref.	Material	Color	A	FIG.	Packing Unit
40519	GMSPDL-2-66	DLMSP-2-01	PA66 UL94V2	Natural	3.2	2	1000
40521	GMSPDL-3-66	DLMSP-3-01	PA66 UL94V2	Natural	4.8	2	1000
40523	GMSPDL-4-66	DLMSP-4-01	PA66 UL94V2	Natural	6.4	2	1000
40525	GMSPDL-5-66	DLMSP-5-01	PA66 UL94V2	Natural	7.9	2	1000
40527	GMSPDL-6-66	DLMSP-6-01	PA66 UL94V2	Natural	9.5	2	1000
40529	GMSPDL-7-66	DLMSP-7-01	PA66 UL94V2	Natural	11.1	2	1000
40531	GMSPDL-8-66	DLMSP-8-01	PA66 UL94V2	Natural	12.7	2	1000
40533	GMSPDL-9-66	DLMSP-9-01	PA66 UL94V2	Natural	14.3	2	1000
40535	GMSPDL-10-66	DLMSP-10-01	PA66 UL94V2	Natural	15.9	2	1000
40537	GMSPDL-11-66	DLMSP-11-01	PA66 UL94V2	Natural	17.5	2	1000
40539	GMSPDL-12-66	DLMSP-12-01	PA66 UL94V2	Natural	19.1	2	1000
40541	GMSPDL-13-66	DLMSP-13-01	PA66 UL94V2	Natural	20.6	2	1000
40543	GMSPDL-14-66	DLMSP-14-01	PA66 UL94V2	Natural	22.2	2	1000
40545	GMSPDL-16-66	DLMSP-16-01	PA66 UL94V2	Natural	25.4	2	1000
40547	GMSPDL-18-66	DLMSP-18-01	PA66 UL94V2	Natural	28.6	2	1000
40549	GMSPDL-20-66	DLMSP-20-01	PA66 UL94V2	Natural	31.7	2	1000
40551	GMSPDL-22-66	DLMSP-22-01	PA66 UL94V2	Natural	34.9	2	1000
40553	GMSPDL-24-66	DLMSP-24-01	PA66 UL94V2	Natural	38.1	2	1000
40520	GMSPDL-2-V0	DLMSP-2-19	PA66 UL94V0	Natural	3.2	2	1000
40522	GMSPDL-3-V0	DLMSP-3-19	PA66 UL94V0	Natural	4.8	2	1000
40524	GMSPDL-4-V0	DLMSP-4-19	PA66 UL94V0	Natural	6.4	2	1000
40526	GMSPDL-5-V0	DLMSP-5-19	PA66 UL94V0	Natural	7.9	2	1000
40528	GMSPDL-6-V0	DLMSP-6-19	PA66 UL94V0	Natural	9.5	2	1000
40530	GMSPDL-7-V0	DLMSP-7-19	PA66 UL94V0	Natural	11.1	2	1000
40532	GMSPDL-8-V0	DLMSP-8-19	PA66 UL94V0	Natural	12.7	2	1000
40534	GMSPDL-9-V0	DLMSP-9-19	PA66 UL94V0	Natural	14.3	2	1000
40536	GMSPDL-10-V0	DLMSP-10-19	PA66 UL94V0	Natural	15.9	2	1000
40538	GMSPDL-11-V0	DLMSP-11-19	PA66 UL94V0	Natural	17.5	2	1000
40540	GMSPDL-12-V0	DLMSP-12-19	PA66 UL94V0	Natural	19.1	2	1000
40542	GMSPDL-13-V0	DLMSP-13-19	PA66 UL94V0	Natural	20.6	2	1000
40544	GMSPDL-14-V0	DLMSP-14-19	PA66 UL94V0	Natural	22.2	2	1000
40546	GMSPDL-16-V0	DLMSP-16-19	PA66 UL94V0	Natural	25.4	2	1000
40548	GMSPDL-18-V0	DLMSP-18-19	PA66 UL94V0	Natural	28.6	2	1000
40550	GMSPDL-20-V0	DLMSP-20-19	PA66 UL94V0	Natural	31.7	2	1000
40552	GMSPDL-22-V0	DLMSP-22-19	PA66 UL94V0	Natural	34.9	2	1000
40554	GMSPDL-24-V0	DLMSP-24-19	PA66 UL94V0	Natural	38.1	2	1000

Material: PA66 UL94V2 (GMS-01); PA66 UL94V0 (GMS-02)



sales@sucatec.com



www.sucatec.com

A

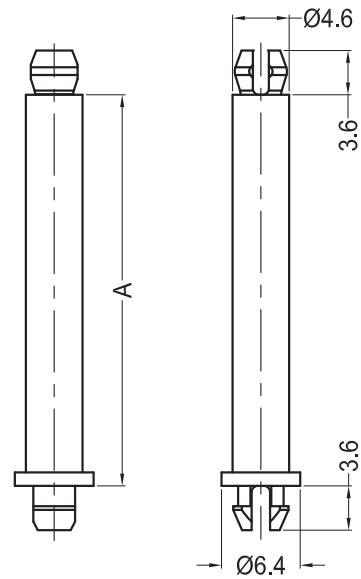
DUAL LOCKING SPACER

Mini Support Post GMSPE

A



GMSPE



Top Hole: 3.9±0.05mm
Panel Thickness: 1.57mm
Bottom Hole: 3.9±0.05mm
Panel Thickness: 1.57mm

Sizes in mm

P/N.	Article No.	Cross-Ref.	Material	Color	A	Packing Unit
43260	GMSPE-2-01	MSPE-2-01	PA66 UL94V2	Natural	3.2	1000
43261	GMSPE-3-01	MSPE-3-01	PA66 UL94V2	Natural	4.8	1000
43262	GMSPE-4-01	MSPE-4-01	PA66 UL94V2	Natural	6.4	1000
43263	GMSPE-5-01	MSPE-5-01	PA66 UL94V2	Natural	7.9	1000
43264	GMSPE-6-01	MSPE-6-01	PA66 UL94V2	Natural	9.5	1000
43265	GMSPE-7-01	MSPE-7-01	PA66 UL94V2	Natural	11.1	1000
43266	GMSPE-8-01	MSPE-8-01	PA66 UL94V2	Natural	12.7	1000
43267	GMSPE-10-01	MSPE-10-01	PA66 UL94V2	Natural	15.9	1000
43268	GMSPE-11-01	MSPE-11-01	PA66 UL94V2	Natural	17.5	1000
43269	GMSPE-12-01	MSPE-12-01	PA66 UL94V2	Natural	19.1	1000
43270	GMSPE-14-01	MSPE-14-01	PA66 UL94V2	Natural	22.2	1000
43271	GMSPE-16-01	MSPE-16-01	PA66 UL94V2	Natural	25.4	1000
43209	GMSPE-20-01	MSPE-20-01	PA66 UL94V2	Natural	31.8	1000
43272	GMSPE-22-01	MSPE-22-01	PA66 UL94V2	Natural	34.9	1000
43440	GMSPE-2-19	MSPE-2-19	PA66 UL94V0	Natural	3.2	1000
43441	GMSPE-3-19	MSPE-3-19	PA66 UL94V0	Natural	4.8	1000
43442	GMSPE-4-19	MSPE-4-19	PA66 UL94V0	Natural	6.4	1000
43443	GMSPE-5-19	MSPE-5-19	PA66 UL94V0	Natural	7.9	1000
43444	GMSPE-6-19	MSPE-6-19	PA66 UL94V0	Natural	9.5	1000
43445	GMSPE-7-19	MSPE-7-19	PA66 UL94V0	Natural	11.1	1000
43446	GMSPE-8-19	MSPE-8-19	PA66 UL94V0	Natural	12.7	1000
43447	GMSPE-10-19	MSPE-10-19	PA66 UL94V0	Natural	15.9	1000
43448	GMSPE-11-19	MSPE-11-19	PA66 UL94V0	Natural	17.5	1000
43449	GMSPE-12-19	MSPE-12-19	PA66 UL94V0	Natural	19.1	1000
43450	GMSPE-14-19	MSPE-14-19	PA66 UL94V0	Natural	22.2	1000
43451	GMSPE-16-19	MSPE-16-19	PA66 UL94V0	Natural	25.4	1000
43452	GMSPE-20-19	MSPE-20-19	PA66 UL94V0	Natural	31.8	1000
43453	GMSPE-22-19	MSPE-22-19	PA66 UL94V0	Natural	34.9	1000

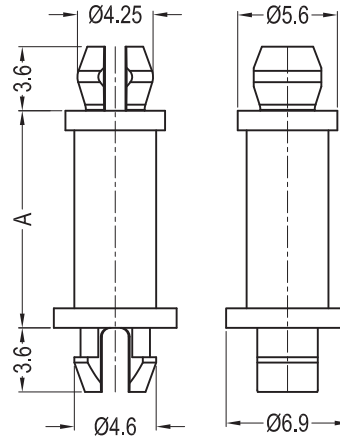
Material: PA66 UL94V2 (GMS-01); PA66 UL94V0 (GMS-49)

DUAL LOCKING SPACER

Mini Support Post GMSPS



GMSPS



Top Hole: 4.0±0.08mm
Panel Thickness: 1.6mm
Bottom Hole: 4.0±0.08mm
Panel Thickness: 1.6mm

Sizes in mm

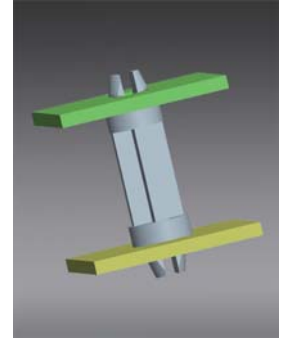
P/N.	Article No.	Cross-Ref.	Material	Color	A	Packing Unit
42124	GMSPS-3-66	MSPS-3-01	PA66 UL94V2	Natural	4.8	1000
42128	GMSPS-4-66	MSPS-4-01	PA66 UL94V2	Natural	6.4	1000
42125	GMSPS-5-66	MSPS-5-01	PA66 UL94V2	Natural	7.9	1000
42126	GMSPS-6-66	MSPS-6-01	PA66 UL94V2	Natural	9.5	1000
42129	GMSPS-7-66	MSPS-7-01	PA66 UL94V2	Natural	11.1	1000
42130	GMSPS-8-66	MSPS-8-01	PA66 UL94V2	Natural	12.7	1000
42131	GMSPS-10-66	MSPS-10-01	PA66 UL94V2	Natural	15.9	1000
42132	GMSPS-11-66	MSPS-11-01	PA66 UL94V2	Natural	17.5	1000
42133	GMSPS-12-66	MSPS-12-01	PA66 UL94V2	Natural	19.1	1000
42134	GMSPS-14-66	MSPS-14-01	PA66 UL94V2	Natural	22.2	1000
41524	GMSPS-3-V0	MSPS-3-19	PA66 UL94V0	Natural	4.8	1000
40660	GMSPS-4-V0	MSPS-4-19	PA66 UL94V0	Natural	6.4	1000
41525	GMSPS-5-V0	MPSP-5-19	PA66 UL94V0	Natural	7.9	1000
41526	GMSPS-6-V0	MSPS-6-19	PA66 UL94V0	Natural	9.5	1000
41527	GMSPS-7-V0	MSPS-7-19	PA66 UL94V0	Natural	11.1	1000
41528	GMSPS-8-V0	MSPS-8-19	PA66 UL94V0	Natural	12.7	1000
41529	GMSPS-10-V0	MSPS-10-19	PA66 UL94V0	Natural	15.9	1000
41530	GMSPS-11-V0	MSPS-11-19	PA66 UL94V0	Natural	17.5	1000
41531	GMSPS-12-V0	MSPS-12-19	PA66 UL94V0	Natural	19.1	1000
41532	GMSPS-14-V0	MSPS-14-19	PA66 UL94V0	Natural	22.2	1000

Material: PA66 UL94V2 (GMS-01); PA66 UL94V0 (GMS-02)



DUAL LOCKING SPACER

Dual Locking Circuit Board Support GSP1/2/3



A

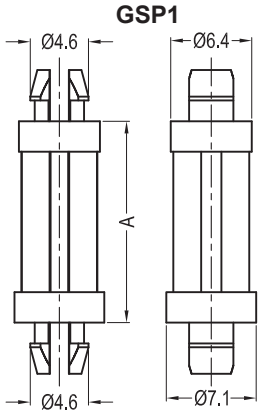


Fig.1

Top Hole: 4.0 ± 0.08 mm
Panel Thickness: 1.57mm
Bottom Hole: 4.0 ± 0.08 mm
Panel Thickness: 1.57mm

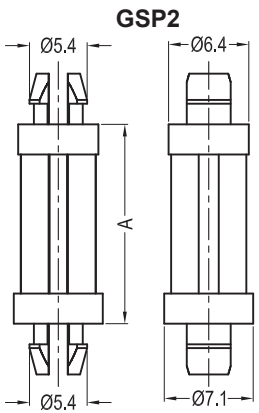


Fig.2

Top Hole: 4.75 ± 0.08 mm
Panel Thickness: 1.57mm
Bottom Hole: 4.75 ± 0.08 mm
Panel Thickness: 1.57mm

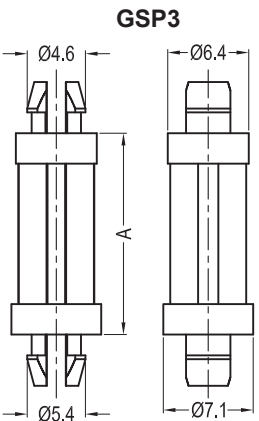


Fig.3

Top Hole: 4.0 ± 0.08 mm
Panel Thickness: 1.57mm
Bottom Hole: 4.75 ± 0.08 mm
Panel Thickness: 1.57mm

Sizes in mm

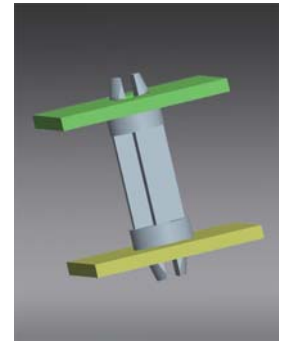
P/N.	Article No.	Cross-Ref.	Material	Color	A	FIG.	Packing Unit
40219	GSP1-3-66	SP1-3-01	PA66 UL94V2	Natural	4.8	1	1000
40221	GSP1-4-66	SP1-4-01	PA66 UL94V2	Natural	6.4	1	1000
40223	GSP1-5-66	SP1-5-01	PA66 UL94V2	Natural	7.9	1	1000
40225	GSP1-6-66	SP1-6-01	PA66 UL94V2	Natural	9.5	1	1000
40227	GSP1-7-66	SP1-7-01	PA66 UL94V2	Natural	11.1	1	1000
40229	GSP1-8-66	SP1-8-01	PA66 UL94V2	Natural	12.7	1	1000
40231	GSP1-9-66	SP1-9-01	PA66 UL94V2	Natural	14.3	1	1000
40233	GSP1-10-66	SP1-10-01	PA66 UL94V2	Natural	15.9	1	1000
40235	GSP1-12-66	SP1-12-01	PA66 UL94V2	Natural	19.1	1	1000
40237	GSP1-14-66	SP1-14-01	PA66 UL94V2	Natural	22.2	1	1000
40239	GSP1-16-66	SP1-16-01	PA66 UL94V2	Natural	25.4	1	1000
40220	GSP1-3-66B	SP1-3-01BK	PA66 UL94V2	Black	4.8	1	1000
40222	GSP1-4-66B	SP1-4-01BK	PA66 UL94V2	Black	6.4	1	1000
40224	GSP1-5-66B	SP1-5-01BK	PA66 UL94V2	Black	7.9	1	1000
40226	GSP1-6-66B	SP1-6-01BK	PA66 UL94V2	Black	9.5	1	1000
40228	GSP1-7-66B	SP1-7-01BK	PA66 UL94V2	Black	11.1	1	1000
40230	GSP1-8-66B	SP1-8-01BK	PA66 UL94V2	Black	12.7	1	1000
40232	GSP1-9-66B	SP1-9-01BK	PA66 UL94V2	Black	14.3	1	1000
40234	GSP1-10-66B	SP1-10-01BK	PA66 UL94V2	Black	15.9	1	1000
40236	GSP1-12-66B	SP1-12-01BK	PA66 UL94V2	Black	19.1	1	1000
40238	GSP1-14-66B	SP1-14-01BK	PA66 UL94V2	Black	22.2	1	1000
40240	GSP1-16-66B	SP1-16-01BK	PA66 UL94V2	Black	25.4	1	1000
41829	GSP1-3-V0	SP1-3-19	PA66 UL94V0	Natural	4.8	1	1000
41831	GSP1-4-V0	SP1-4-19	PA66 UL94V0	Natural	6.4	1	1000
41833	GSP1-5-V0	SP1-5-19	PA66 UL94V0	Natural	7.9	1	1000
41835	GSP1-6-V0	SP1-6-19	PA66 UL94V0	Natural	9.5	1	1000
41837	GSP1-7-V0	SP1-7-19	PA66 UL94V0	Natural	11.1	1	1000
41839	GSP1-8-V0	SP1-8-19	PA66 UL94V0	Natural	12.7	1	1000
41841	GSP1-9-V0	SP1-9-19	PA66 UL94V0	Natural	14.3	1	1000
41843	GSP1-10-V0	SP1-10-19	PA66 UL94V0	Natural	15.9	1	1000
41845	GSP1-12-V0	SP1-12-19	PA66 UL94V0	Natural	19.1	1	1000
41847	GSP1-14-V0	SP1-14-19	PA66 UL94V0	Natural	22.2	1	1000
41849	GSP1-16-V0	SP1-16-19	PA66 UL94V0	Natural	25.4	1	1000
41830	GSP1-3-BV0	SP1-3-19BK	PA66 UL94V0	Black	4.8	1	1000
41832	GSP1-4-BV0	SP1-4-19BK	PA66 UL94V0	Black	6.4	1	1000
41834	GSP1-5-BV0	SP1-5-19BK	PA66 UL94V0	Black	7.9	1	1000
41836	GSP1-6-BV0	SP1-6-19BK	PA66 UL94V0	Black	9.5	1	1000
41838	GSP1-7-BV0	SP1-7-19BK	PA66 UL94V0	Black	11.1	1	1000
41840	GSP1-8-BV0	SP1-8-19BK	PA66 UL94V0	Black	12.7	1	1000
41842	GSP1-9-BV0	SP1-9-19BK	PA66 UL94V0	Black	14.3	1	1000
41844	GSP1-10-BV0	SP1-10-19BK	PA66 UL94V0	Black	15.9	1	1000
41846	GSP1-12-BV0	SP1-12-19BK	PA66 UL94V0	Black	19.1	1	1000
41848	GSP1-14-BV0	SP1-14-19BK	PA66 UL94V0	Black	22.2	1	1000
41850	GSP1-16-BV0	SP1-16-19BK	PA66 UL94V0	Black	25.4	1	1000

Material: PA66 UL94V2 (GMS-01); PA66 UL94V0 (GMS-02)



DUAL LOCKING SPACER

Dual Locking Circuit Board Support GSP1/2/3



A

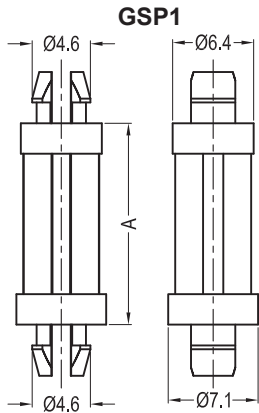


Fig.1

Top Hole: 4.0±0.08mm
Panel Thickness: 1.57mm
Bottom Hole: 4.0±0.08mm
Panel Thickness: 1.57mm

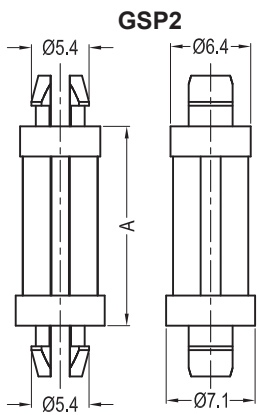


Fig.2

Top Hole: 4.75±0.08mm
Panel Thickness: 1.57mm
Bottom Hole: 4.75±0.08mm
Panel Thickness: 1.57mm

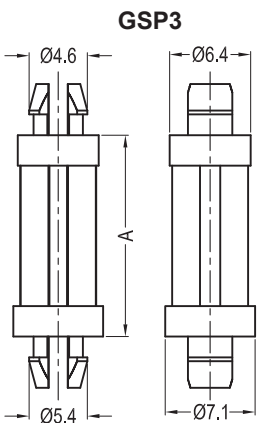


Fig.3

Top Hole: 4.0±0.08mm
Panel Thickness: 1.57mm
Bottom Hole: 4.75±0.08mm
Panel Thickness: 1.57mm

Sizes in mm

P/N.	Article No.	Cross-Ref.	Material	Color	A	FIG.	Packing Unit
40241	GSP2-3-66	SP2-3-01	PA66 UL94V2	Natural	4.8	2	1000
40243	GSP2-4-66	SP2-4-01	PA66 UL94V2	Natural	6.4	2	1000
40245	GSP2-5-66	SP2-5-01	PA66 UL94V2	Natural	7.9	2	1000
40247	GSP2-6-66	SP2-6-01	PA66 UL94V2	Natural	9.5	2	1000
40249	GSP2-7-66	SP2-7-01	PA66 UL94V2	Natural	11.1	2	1000
40251	GSP2-8-66	SP2-8-01	PA66 UL94V2	Natural	12.7	2	1000
40253	GSP2-9-66	SP2-9-01	PA66 UL94V2	Natural	14.3	2	1000
40255	GSP2-10-66	SP2-10-01	PA66 UL94V2	Natural	15.9	2	1000
40257	GSP2-12-66	SP2-12-01	PA66 UL94V2	Natural	19.1	2	1000
40259	GSP2-14-66	SP2-14-01	PA66 UL94V2	Natural	22.2	2	1000
40261	GSP2-16-66	SP2-16-01	PA66 UL94V2	Natural	25.4	2	1000
40242	GSP2-3-66B	SP2-3-01BK	PA66 UL94V2	Black	4.8	2	1000
40244	GSP2-4-66B	SP2-4-01BK	PA66 UL94V2	Black	6.4	2	1000
40246	GSP2-5-66B	SP2-5-01BK	PA66 UL94V2	Black	7.9	2	1000
40248	GSP2-6-66B	SP2-6-01BK	PA66 UL94V2	Black	9.5	2	1000
40250	GSP2-7-66B	SP2-7-01BK	PA66 UL94V2	Black	11.1	2	1000
40252	GSP2-8-66B	SP2-8-01BK	PA66 UL94V2	Black	12.7	2	1000
40254	GSP2-9-66B	SP2-9-01BK	PA66 UL94V2	Black	14.3	2	1000
40256	GSP2-10-66B	SP2-10-01BK	PA66 UL94V2	Black	15.9	2	1000
40258	GSP2-12-66B	SP2-12-01BK	PA66 UL94V2	Black	19.1	2	1000
40260	GSP2-14-66B	SP2-14-01BK	PA66 UL94V2	Black	22.2	2	1000
40262	GSP2-16-66B	SP2-16-01BK	PA66 UL94V2	Black	25.4	2	1000
41851	GSP2-3-V0	SP2-3-19	PA66 UL94V0	Natural	4.8	2	1000
41853	GSP2-4-V0	SP2-4-19	PA66 UL94V0	Natural	6.4	2	1000
41855	GSP2-5-V0	SP2-5-19	PA66 UL94V0	Natural	7.9	2	1000
41857	GSP2-6-V0	SP2-6-19	PA66 UL94V0	Natural	9.5	2	1000
41859	GSP2-7-V0	SP2-7-19	PA66 UL94V0	Natural	11.1	2	1000
41861	GSP2-8-V0	SP2-8-19	PA66 UL94V0	Natural	12.7	2	1000
41863	GSP2-9-V0	SP2-9-19	PA66 UL94V0	Natural	14.3	2	1000
41865	GSP2-10-V0	SP2-10-19	PA66 UL94V0	Natural	15.9	2	1000
41867	GSP2-12-V0	SP2-12-19	PA66 UL94V0	Natural	19.1	2	1000
41869	GSP2-14-V0	SP2-14-19	PA66 UL94V0	Natural	22.2	2	1000
41871	GSP2-16-V0	SP2-16-19	PA66 UL94V0	Natural	25.4	2	1000
41852	GSP2-3-BV0	SP2-3-19BK	PA66 UL94V0	Black	4.8	2	1000
41854	GSP2-4-BV0	SP2-4-19BK	PA66 UL94V0	Black	6.4	2	1000
41856	GSP2-5-BV0	SP2-5-19BK	PA66 UL94V0	Black	7.9	2	1000
41858	GSP2-6-BV0	SP2-6-19BK	PA66 UL94V0	Black	9.5	2	1000
41860	GSP2-7-BV0	SP2-7-19BK	PA66 UL94V0	Black	11.1	2	1000
41862	GSP2-8-BV0	SP2-8-19BK	PA66 UL94V0	Black	12.7	2	1000
41864	GSP2-9-BV0	SP2-9-19BK	PA66 UL94V0	Black	14.3	2	1000
41866	GSP2-10-BV0	SP2-10-19BK	PA66 UL94V0	Black	15.9	2	1000
41868	GSP2-12-BV0	SP2-12-19BK	PA66 UL94V0	Black	19.1	2	1000
41870	GSP2-14-BV0	SP2-14-19BK	PA66 UL94V0	Black	22.2	2	1000
41872	GSP2-16-BV0	SP2-16-19BK	PA66 UL94V0	Black	25.4	2	1000

Material: PA66 UL94V2 (GMS-01); PA66 UL94V0 (GMS-02)



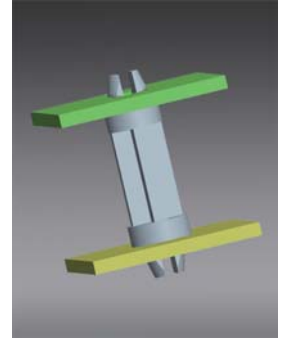
sales@sucatec.com



www.sucatec.com

DUAL LOCKING SPACER

Dual Locking Circuit Board Support GSP1/2/3



A

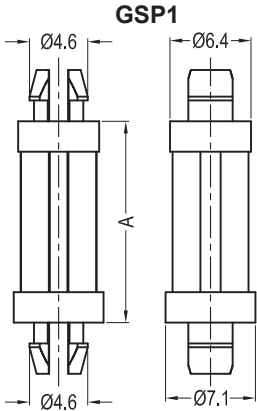


Fig.1

Top Hole: 4.0±0.08mm
Panel Thickness: 1.57mm
Bottom Hole: 4.0±0.08mm
Panel Thickness: 1.57mm

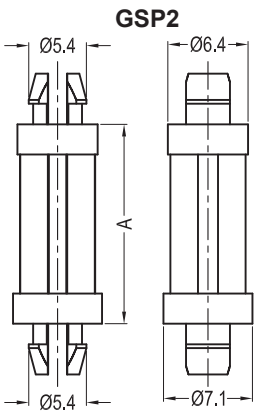


Fig.2

Top Hole: 4.75±0.08mm
Panel Thickness: 1.57mm
Bottom Hole: 4.75±0.08mm
Panel Thickness: 1.57mm

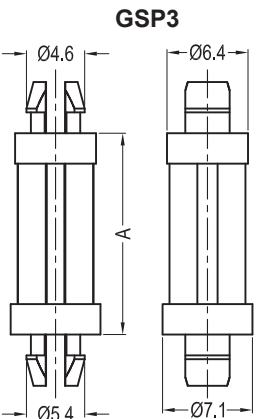


Fig.3

Top Hole: 4.0±0.08mm
Panel Thickness: 1.57mm
Bottom Hole: 4.75±0.08mm
Panel Thickness: 1.57mm

Sizes in mm

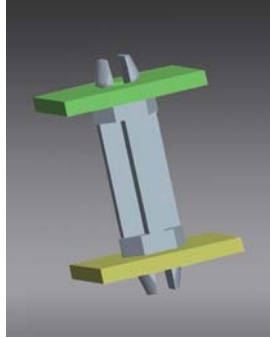
P/N.	Article No.	Cross-Ref.	Material	Color	A	FIG.	Packing Unit
40263	GSP3-3-66	SP3-3-01	PA66 UL94V2	Natural	4.8	3	1000
40265	GSP3-4-66	SP3-4-01	PA66 UL94V2	Natural	6.4	3	1000
40267	GSP3-5-66	SP3-5-01	PA66 UL94V2	Natural	7.9	3	1000
40269	GSP3-6-66	SP3-6-01	PA66 UL94V2	Natural	9.5	3	1000
40271	GSP3-7-66	SP3-7-01	PA66 UL94V2	Natural	11.1	3	1000
40273	GSP3-8-66	SP3-8-01	PA66 UL94V2	Natural	12.7	3	1000
40275	GSP3-9-66	SP3-9-01	PA66 UL94V2	Natural	14.3	3	1000
40277	GSP3-10-66	SP3-10-01	PA66 UL94V2	Natural	15.9	3	1000
40279	GSP3-12-66	SP3-12-01	PA66 UL94V2	Natural	19.1	3	1000
40281	GSP3-14-66	SP3-14-01	PA66 UL94V2	Natural	22.2	3	1000
40283	GSP3-16-66	SP3-16-01	PA66 UL94V2	Natural	25.4	3	1000
40264	GSP3-3-66B	SP3-3-01BK	PA66 UL94V2	Black	4.8	3	1000
40266	GSP3-4-66B	SP3-4-01BK	PA66 UL94V2	Black	6.4	3	1000
40268	GSP3-5-66B	SP3-5-01BK	PA66 UL94V2	Black	7.9	3	1000
40270	GSP3-6-66B	SP3-6-01BK	PA66 UL94V2	Black	9.5	3	1000
40272	GSP3-7-66B	SP3-7-01BK	PA66 UL94V2	Black	11.1	3	1000
40274	GSP3-8-66B	SP3-8-01BK	PA66 UL94V2	Black	12.7	3	1000
40276	GSP3-9-66B	SP3-9-01BK	PA66 UL94V2	Black	14.3	3	1000
40278	GSP3-10-66B	SP3-10-01BK	PA66 UL94V2	Black	15.9	3	1000
40280	GSP3-12-66B	SP3-12-01BK	PA66 UL94V2	Black	19.1	3	1000
40282	GSP3-14-66B	SP3-14-01BK	PA66 UL94V2	Black	22.2	3	1000
40284	GSP3-16-66B	SP3-16-01BK	PA66 UL94V2	Black	25.4	3	1000
41873	GSP3-3-V0	SP3-3-19	PA66 UL94V0	Natural	4.8	3	1000
41875	GSP3-4-V0	SP3-4-19	PA66 UL94V0	Natural	6.4	3	1000
41877	GSP3-5-V0	SP3-5-19	PA66 UL94V0	Natural	7.9	3	1000
41879	GSP3-6-V0	SP3-6-19	PA66 UL94V0	Natural	9.5	3	1000
41881	GSP3-7-V0	SP3-7-19	PA66 UL94V0	Natural	11.1	3	1000
41883	GSP3-8-V0	SP3-8-19	PA66 UL94V0	Natural	12.7	3	1000
41885	GSP3-9-V0	SP3-9-19	PA66 UL94V0	Natural	14.3	3	1000
41887	GSP3-10-V0	SP3-10-19	PA66 UL94V0	Natural	15.9	3	1000
41889	GSP3-12-V0	SP3-12-19	PA66 UL94V0	Natural	19.1	3	1000
41891	GSP3-14-V0	SP3-14-19	PA66 UL94V0	Natural	22.2	3	1000
41893	GSP3-16-V0	SP3-16-19	PA66 UL94V0	Natural	25.4	3	1000
41874	GSP3-3-BV0	SP3-3-19BK	PA66 UL94V0	Black	4.8	3	1000
41876	GSP3-4-BV0	SP3-4-19BK	PA66 UL94V0	Black	6.4	3	1000
41878	GSP3-5-BV0	SP3-5-19BK	PA66 UL94V0	Black	7.9	3	1000
41880	GSP3-6-BV0	SP3-6-19BK	PA66 UL94V0	Black	9.5	3	1000
41882	GSP3-7-BV0	SP3-7-19BK	PA66 UL94V0	Black	11.1	3	1000
41884	GSP3-8-BV0	SP3-8-19BK	PA66 UL94V0	Black	12.7	3	1000
41886	GSP3-9-BV0	SP3-9-19BK	PA66 UL94V0	Black	14.3	3	1000
41888	GSP3-10-BV0	SP3-10-19BK	PA66 UL94V0	Black	15.9	3	1000
41890	GSP3-12-BV0	SP3-12-19BK	PA66 UL94V0	Black	19.1	3	1000
41892	GSP3-14-BV0	SP3-14-19BK	PA66 UL94V0	Black	22.2	3	1000
41894	GSP3-16-BV0	SP3-16-19BK	PA66 UL94V0	Black	25.4	3	1000

Material: PA66 UL94V2 (GMS-01); PA66 UL94V0 (GMS-02)

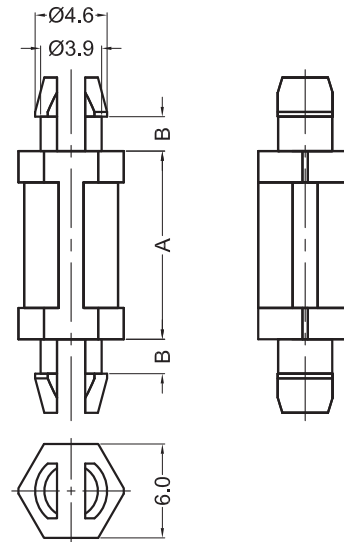


DUAL LOCKING SPACER

Mini Support Post GSP4



GSP4

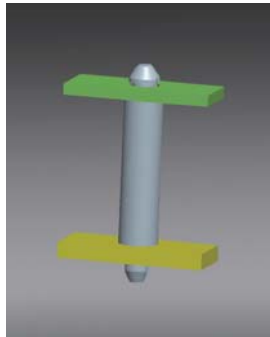


Sizes in mm

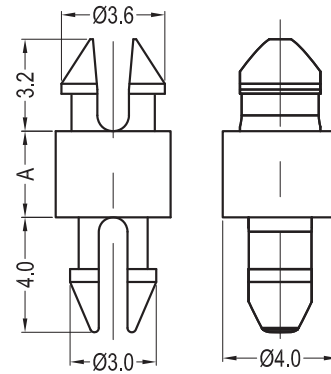
P/N.	Article No.	Material	Color	A	B	Hole	Panel Thickness	Packing Unit
42052	GSP4-6-66B	PA66 UL94V2	Black	6.0	1.8	4.0±0.08	1.6	1000
42054	GSP4-30-66B	PA66 UL94V2	Black	30.0	1.8	4.0±0.08	1.6	1000
43586	GSP4-20-1-66B	PA66 UL94V2	Black	20.0	2.2	4.0±0.08	2.0	1000
40601	GSP4-22-1-66B	PA66 UL94V2	Black	22.0	2.2	4.0±0.08	2.0	1000

Material: PA66 UL94V2 (GMS-01)

Mini Support Post GMSPDLN1



GMSPDLN1



Top Hole: 3.0±0.08mm
 Panel Thickness: 1.2mm
 Bottom Hole: 2.5±0.05mm
 Panel Thickness: 1.7mm

Sizes in mm

P/N.	Article No.	Material	Color	A	Packing Unit
42986	GMSPDLN1-3-66	PA66 UL94V2	Natural	3.0	1000
42987	GMSPDLN1-4-66	PA66 UL94V2	Natural	4.0	1000
42988	GMSPDLN1-5-66	PA66 UL94V2	Natural	5.0	1000
42989	GMSPDLN1-6-66	PA66 UL94V2	Natural	6.0	1000
42990	GMSPDLN1-7-66	PA66 UL94V2	Natural	7.0	1000
42991	GMSPDLN1-8-66	PA66 UL94V2	Natural	8.0	1000
42992	GMSPDLN1-9-66	PA66 UL94V2	Natural	9.0	1000
42993	GMSPDLN1-10-66	PA66 UL94V2	Natural	10.0	1000
42994	GMSPDLN1-11-66	PA66 UL94V2	Natural	11.0	1000
42995	GMSPDLN1-12-66	PA66 UL94V2	Natural	12.0	1000

Material: PA66 UL94V2 (GMS-01); PA66 UL94V0 (GMS-02)



sales@sucatec.com

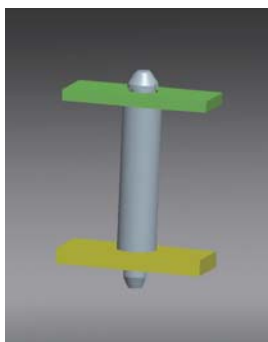


www.sucatec.com

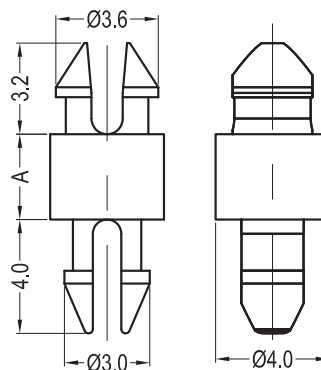
DUAL LOCKING SPACER

Mini Support Post GMSPDLN1

A



GMSPDLN1



Top Hole: 3.0±0.08mm
Panel Thickness: 1.2mm
Bottom Hole: 2.5±0.05mm
Panel Thickness: 1.7mm

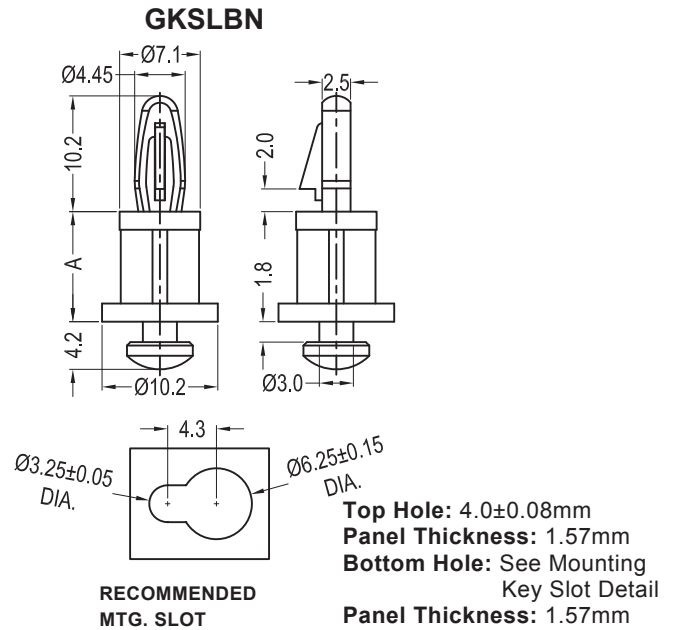
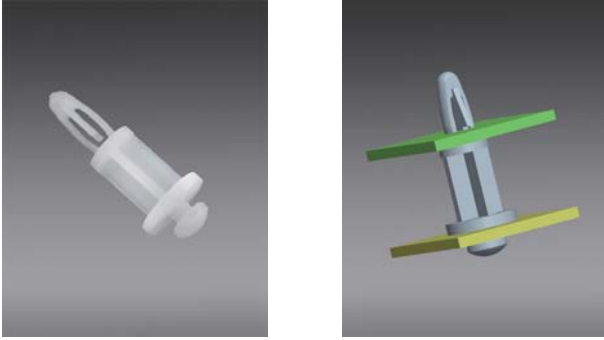
Sizes in mm

P/N.	Article No.	Material	Color	A	Packing Unit
42996	GMSPDLN1-13-66	PA66 UL94V2	Natural	13.0	1000
42997	GMSPDLN1-14-66	PA66 UL94V2	Natural	14.0	1000
42998	GMSPDLN1-15-66	PA66 UL94V2	Natural	15.0	1000
42784	GMSPDLN1-3-66B	PA66 UL94V2	Black	3.0	1000
42785	GMSPDLN1-4-66B	PA66 UL94V2	Black	4.0	1000
42786	GMSPDLN1-5-66B	PA66 UL94V2	Black	5.0	1000
42787	GMSPDLN1-6-66B	PA66 UL94V2	Black	6.0	1000
42788	GMSPDLN1-7-66B	PA66 UL94V2	Black	7.0	1000
42789	GMSPDLN1-8-66B	PA66 UL94V2	Black	8.0	1000
42790	GMSPDLN1-9-66B	PA66 UL94V2	Black	9.0	1000
42791	GMSPDLN1-10-66B	PA66 UL94V2	Black	10.0	1000
42792	GMSPDLN1-11-66B	PA66 UL94V2	Black	11.0	1000
42793	GMSPDLN1-12-66B	PA66 UL94V2	Black	12.0	1000
42794	GMSPDLN1-13-66B	PA66 UL94V2	Black	13.0	1000
42795	GMSPDLN1-14-66B	PA66 UL94V2	Black	14.0	1000
42796	GMSPDLN1-15-66B	PA66 UL94V2	Black	15.0	1000
43012	GMSPDLN1-3-V0	PA66 UL94V0	Natural	3.0	1000
43013	GMSPDLN1-4-V0	PA66 UL94V0	Natural	4.0	1000
43014	GMSPDLN1-5-V0	PA66 UL94V0	Natural	5.0	1000
43015	GMSPDLN1-6-V0	PA66 UL94V0	Natural	6.0	1000
43016	GMSPDLN1-7-V0	PA66 UL94V0	Natural	7.0	1000
43017	GMSPDLN1-8-V0	PA66 UL94V0	Natural	8.0	1000
43018	GMSPDLN1-9-V0	PA66 UL94V0	Natural	9.0	1000
43019	GMSPDLN1-10-V0	PA66 UL94V0	Natural	10.0	1000
43020	GMSPDLN1-11-V0	PA66 UL94V0	Natural	11.0	1000
43021	GMSPDLN1-12-V0	PA66 UL94V0	Natural	12.0	1000
43022	GMSPDLN1-13-V0	PA66 UL94V0	Natural	13.0	1000
43023	GMSPDLN1-14-V0	PA66 UL94V0	Natural	14.0	1000
43024	GMSPDLN1-15-V0	PA66 UL94V0	Natural	15.0	1000
42999	GMSPDLN1-3-BV0	PA66 UL94V0	Black	3.0	1000
43000	GMSPDLN1-4-BV0	PA66 UL94V0	Black	4.0	1000
43001	GMSPDLN1-5-BV0	PA66 UL94V0	Black	5.0	1000
43002	GMSPDLN1-6-BV0	PA66 UL94V0	Black	6.0	1000
43003	GMSPDLN1-7-BV0	PA66 UL94V0	Black	7.0	1000
43004	GMSPDLN1-8-BV0	PA66 UL94V0	Black	8.0	1000
43005	GMSPDLN1-9-BV0	PA66 UL94V0	Black	9.0	1000
43006	GMSPDLN1-10-BV0	PA66 UL94V0	Black	10.0	1000
43007	GMSPDLN1-11-BV0	PA66 UL94V0	Black	11.0	1000
43008	GMSPDLN1-12-BV0	PA66 UL94V0	Black	12.0	1000
43009	GMSPDLN1-13-BV0	PA66 UL94V0	Black	13.0	1000
43010	GMSPDLN1-14-BV0	PA66 UL94V0	Black	14.0	1000
43011	GMSPDLN1-15-BV0	PA66 UL94V0	Black	15.0	1000

Material: PA66 UL94V2 (GMS-01); PA66 UL94V0 (GMS-02)

DUAL LOCKING SPACER

Key Slot Locking Support Post GKSLBN

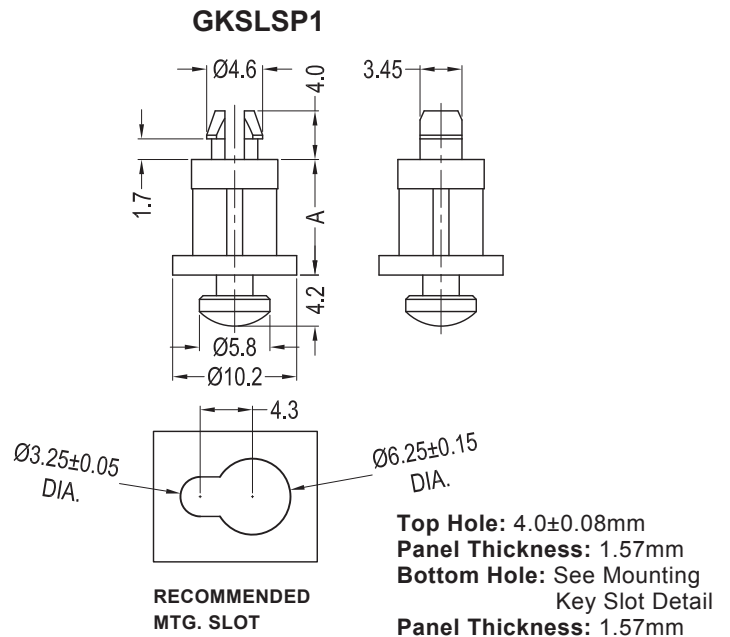


Sizes in mm

P/N.	Article No.	Cross-Ref.	Material	Color	A	Packing Unit
40978	GKSLBN-2-01	KSLBN-2-01	PA66 UL94V2	Natural	3.2	1000
40979	GKSLBN-4-01	KSLBN-4-01	PA66 UL94V2	Natural	6.4	1000
40980	GKSLBN-6-01	KSLBN-6-01	PA66 UL94V2	Natural	9.5	1000
40981	GKSLBN-8-01	KSLBN-8-01	PA66 UL94V2	Natural	12.7	1000

Material: PA66 UL94V2 (GMS-01)

Key Slot Locking Support Post GKSLSP1



Sizes in mm

P/N.	Article No.	Cross-Ref.	Material	Color	A	Packing Unit
42746	GKSLSP1-3-01	KSLSP1-3-01	PA66 UL94V2	Natural	4.8	1000
42747	GKSLSP1-4-01	KSLSP1-4-01	PA66 UL94V2	Natural	6.4	1000
42748	GKSLSP1-6-01	KSLSP1-6-01	PA66 UL94V2	Natural	9.5	1000
42749	GKSLSP1-8-01	KSLSP1-8-01	PA66 UL94V2	Natural	12.7	1000
42750	GKSLSP1-10-01	KSLSP1-10-01	PA66 UL94V2	Natural	15.9	1000

Material: PA66 UL94V2 (GMS-01)



DUAL LOCKING SPACER

Blind Hole Circuit Board Support

GBS/2/4/5

A

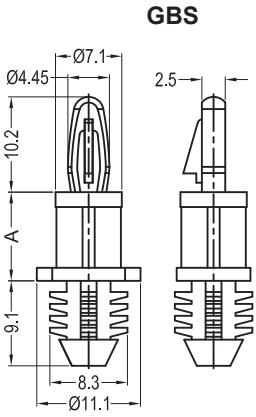


Fig.1

Top Hole: 4.0±0.08mm
 Panel Thickness: 1.57mm
 Bottom Hole: 7.92±0.08mm
 Panel Thickness: 6.4mm Min.

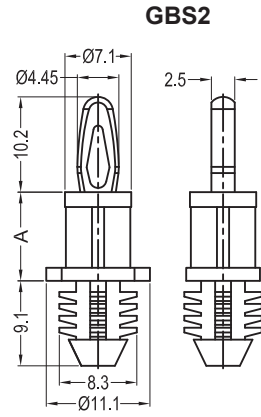


Fig.2

Top Hole: 4.0±0.08mm
 Panel Thickness: 1.57mm
 Bottom Hole: 7.92±0.08mm
 Panel Thickness: 6.4mm Min.

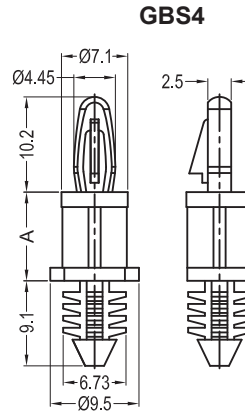


Fig.3

Top Hole: 4.0±0.08mm
 Panel Thickness: 1.57mm
 Bottom Hole: 6.35±0.08mm
 Panel Thickness: 6.4mm Min.

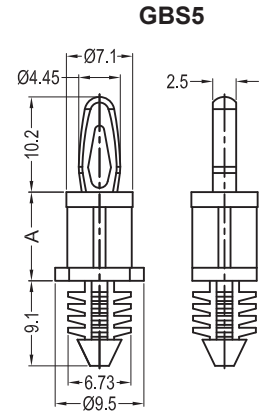
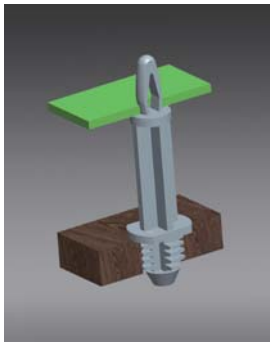


Fig.4

Top Hole: 4.0±0.08mm
 Panel Thickness: 1.57mm
 Bottom Hole: 6.35±0.08mm
 Panel Thickness: 6.4mm Min.

Sizes in mm



P/N.	Article No.	Cross-Ref.	Material	Color	A	FIG.	Packing Unit
41010	GBS-3-66	BHL-3-01	PA66 UL94V2	Natural	4.8	1	1000
41011	GBS-4-66	BHL-4-01	PA66 UL94V2	Natural	6.4	1	1000
41012	GBS-6-66	BHL-6-01	PA66 UL94V2	Natural	9.5	1	1000
41013	GBS-7-66	BHL-7-01	PA66 UL94V2	Natural	11.1	1	1000
41014	GBS-8-66	BHL-8-01	PA66 UL94V2	Natural	12.7	1	1000
41015	GBS-10-66	BHL-10-01	PA66 UL94V2	Natural	15.9	1	1000
41016	GBS-12-66	BHL-12-01	PA66 UL94V2	Natural	19.1	1	1000
41017	GBS-14-66	BHL-14-01	PA66 UL94V2	Natural	22.2	1	1000
41565	GBS-3-V0	BHL-3-19	PA66 UL94V0	Natural	4.8	1	1000
41566	GBS-4-V0	BHL-4-19	PA66 UL94V0	Natural	6.4	1	1000
41567	GBS-6-V0	BHL-6-19	PA66 UL94V0	Natural	9.5	1	1000
41568	GBS-7-V0	BHL-7-19	PA66 UL94V0	Natural	11.1	1	1000
41569	GBS-8-V0	BHL-8-19	PA66 UL94V0	Natural	12.7	1	1000
41570	GBS-10-V0	BHL-10-19	PA66 UL94V0	Natural	15.9	1	1000
41571	GBS-12-V0	BHL-12-19	PA66 UL94V0	Natural	19.1	1	1000
41572	GBS-14-V0	BHL-14-19	PA66 UL94V0	Natural	22.2	1	1000
41113	GBS2-3-66	BHC-3-01	PA66 UL94V2	Natural	4.8	2	1000
41114	GBS2-4-66	BHC-4-01	PA66 UL94V2	Natural	6.4	2	1000
41115	GBS2-6-66	BHC-6-01	PA66 UL94V2	Natural	9.5	2	1000
41116	GBS2-7-66	BHC-7-01	PA66 UL94V2	Natural	11.1	2	1000
41117	GBS2-8-66	BHC-8-01	PA66 UL94V2	Natural	12.7	2	1000
41118	GBS2-10-66	BHC-10-01	PA66 UL94V2	Natural	15.9	2	1000
41119	GBS2-12-66	BHC-12-01	PA66 UL94V2	Natural	19.1	2	1000
41120	GBS2-14-66	BHC-14-01	PA66 UL94V2	Natural	22.2	2	1000
41606	GBS2-3-V0	BHC-3-19	PA66 UL94V0	Natural	4.8	2	1000
41607	GBS2-4-V0	BHC-4-19	PA66 UL94V0	Natural	6.4	2	1000
41608	GBS2-6-V0	BHC-6-19	PA66 UL94V0	Natural	9.5	2	1000

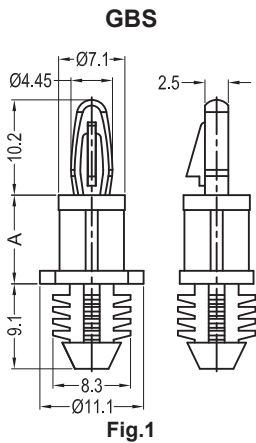
Material: PA66 UL94V2 (GMS-01); PA66 UL94V0 (GMS-02)



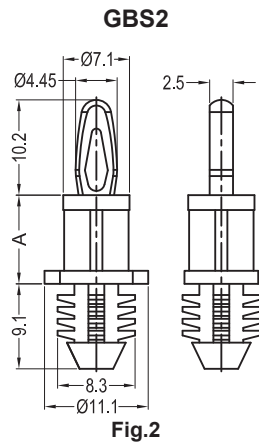
DUAL LOCKING SPACER

Blind Hole Circuit Board Support GBS/2/4/5

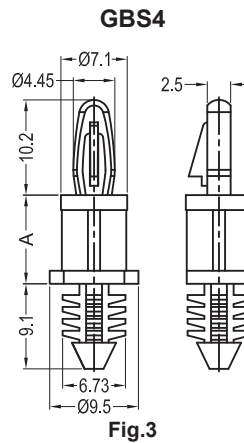
A



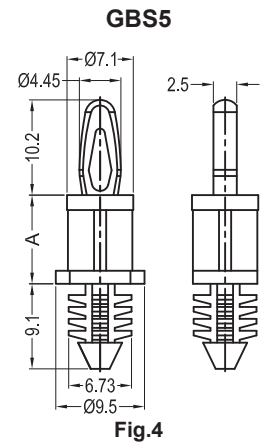
Top Hole: 4.0±0.08mm
Panel Thickness: 1.57mm
Bottom Hole: 7.92±0.08mm
Panel Thickness: 6.4mm Min.



Top Hole: 4.0±0.08mm
Panel Thickness: 1.57mm
Bottom Hole: 7.92±0.08mm
Panel Thickness: 6.4mm Min.

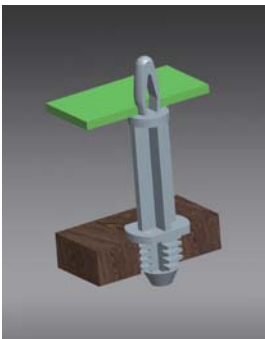


Top Hole: 4.0±0.08mm
Panel Thickness: 1.57mm
Bottom Hole: 6.35±0.08mm
Panel Thickness: 6.4mm Min.



Top Hole: 4.0±0.08mm
Panel Thickness: 1.57mm
Bottom Hole: 6.35±0.08mm
Panel Thickness: 6.4mm Min.

Sizes in mm



P/N.	Article No.	Cross-Ref.	Material	Color	A	FIG.	Packing Unit
41609	GBS2-7-V0	BHC-7-19	PA66 UL94V0	Natural	11.1	2	1000
41610	GBS2-8-V0	BHC-8-19	PA66 UL94V0	Natural	12.7	2	1000
41611	GBS2-10-V0	BHC-10-19	PA66 UL94V0	Natural	15.9	2	1000
41612	GBS2-12-V0	BHC-12-19	PA66 UL94V0	Natural	19.1	2	1000
41613	GBS2-14-V0	BHC-14-19	PA66 UL94V0	Natural	22.2	2	1000
41127	GBS4-3-66	BHL1-3-01	PA66 UL94V2	Natural	4.8	3	1000
41128	GBS4-4-66	BHL1-4-01	PA66 UL94V2	Natural	6.4	3	1000
41129	GBS4-6-66	BHL1-6-01	PA66 UL94V2	Natural	9.5	3	1000
41130	GBS4-7-66	BHL1-7-01	PA66 UL94V2	Natural	11.1	3	1000
41131	GBS4-8-66	BHL1-8-01	PA66 UL94V2	Natural	12.7	3	1000
41132	GBS4-10-66	BHL1-10-01	PA66 UL94V2	Natural	15.9	3	1000
41133	GBS4-12-66	BHL1-12-01	PA66 UL94V2	Natural	19.1	3	1000
41134	GBS4-14-66	BHL1-14-01	PA66 UL94V2	Natural	22.2	3	1000
41620	GBS4-3-V0	BHL1-3-19	PA66 UL94V0	Natural	4.8	3	1000
41621	GBS4-4-V0	BHL1-4-19	PA66 UL94V0	Natural	6.4	3	1000
41622	GBS4-6-V0	BHL1-6-19	PA66 UL94V0	Natural	9.5	3	1000
41623	GBS4-7-V0	BHL1-7-19	PA66 UL94V0	Natural	11.1	3	1000
41624	GBS4-8-V0	BHL1-8-19	PA66 UL94V0	Natural	12.7	3	1000
41625	GBS4-10-V0	BHL1-10-19	PA66 UL94V0	Natural	15.9	3	1000
41626	GBS4-12-V0	BHL1-12-19	PA66 UL94V0	Natural	19.1	3	1000
41627	GBS4-14-V0	BHL1-14-19	PA66 UL94V0	Natural	22.2	3	1000
41135	GBS5-3-66	BHC1-3-01	PA66 UL94V2	Natural	4.8	4	1000
41136	GBS5-4-66	BHC1-4-01	PA66 UL94V2	Natural	6.4	4	1000
41137	GBS5-6-66	BHC1-6-01	PA66 UL94V2	Natural	9.5	4	1000
41138	GBS5-7-66	BHC1-7-01	PA66 UL94V2	Natural	11.1	4	1000
41139	GBS5-8-66	BHC1-8-01	PA66 UL94V2	Natural	12.7	4	1000
41140	GBS5-10-66	BHC1-10-01	PA66 UL94V2	Natural	15.9	4	1000

Material: PA66 UL94V2 (GMS-01); PA66 UL94V0 (GMS-02)



sales@sucatec.com



www.sucatec.com

DUAL LOCKING SPACER

Blind Hole Circuit Board Support

GBS/2/4/5

A

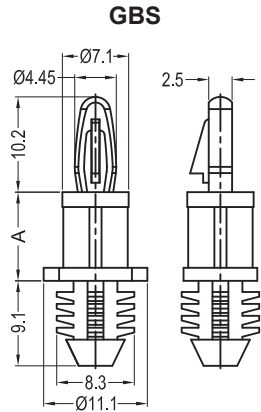


Fig.1

Top Hole: 4.0±0.08mm
Panel Thickness: 1.57mm
Bottom Hole: 7.92±0.08mm
Panel Thickness: 6.4mm

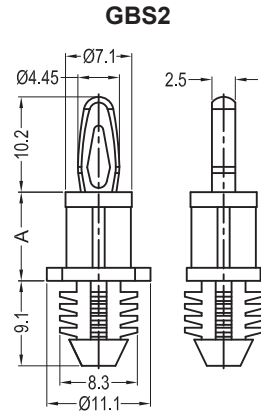


Fig.2

Top Hole: 4.0±0.08mm
Panel Thickness: 1.57mm
Bottom Hole: 7.92±0.08mm
Panel Thickness: 6.4mm

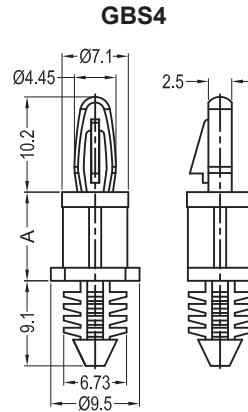


Fig.3

Top Hole: 4.0±0.08mm
Panel Thickness: 1.57mm
Bottom Hole: 6.35±0.08mm
Panel Thickness: 6.4mm

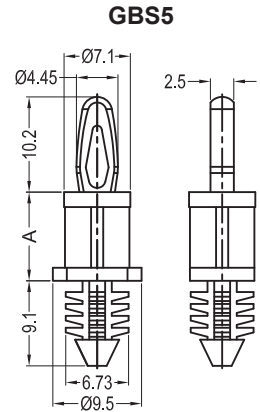
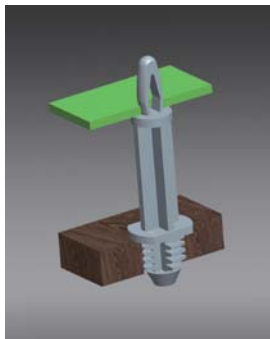


Fig.4

Top Hole: 4.0±0.08mm
Panel Thickness: 1.57mm
Bottom Hole: 6.35±0.08mm
Panel Thickness: 6.4mm

Sizes in mm



P/N.	Article No.	Cross-Ref.	Material	Color	A	FIG.	Packing Unit
41141	GBS5-12-66	BHC1-12-01	PA66 UL94V2	Natural	19.1	4	1000
41142	GBS5-14-66	BHC1-14-01	PA66 UL94V2	Natural	22.2	4	1000
41628	GBS5-3-V0	BHC1-3-19	PA66 UL94V0	Natural	4.8	4	1000
41629	GBS5-4-V0	BHC1-4-19	PA66 UL94V0	Natural	6.4	4	1000
41630	GBS5-6-V0	BHC1-6-19	PA66 UL94V0	Natural	9.5	4	1000
41631	GBS5-7-V0	BHC1-7-19	PA66 UL94V0	Natural	11.1	4	1000
41632	GBS5-8-V0	BHC1-8-19	PA66 UL94V0	Natural	12.7	4	1000
41633	GBS5-10-V0	BHC1-10-19	PA66 UL94V0	Natural	15.9	4	1000
41634	GBS5-12-V0	BHC1-12-19	PA66 UL94V0	Natural	19.1	4	1000
41635	GBS5-14-V0	BHC1-14-19	PA66 UL94V0	Natural	22.2	4	1000
42751	GBS5-3-66B	BHC1-3-01BK	PA66 UL94V2	Black	4.8	4	1000
42754	GBS5-4-66B	BHC1-4-01BK	PA66 UL94V2	Black	6.4	4	1000
42755	GBS5-6-66B	BHC1-6-01BK	PA66 UL94V2	Black	9.5	4	1000
42756	GBS5-7-66B	BHC1-7-01BK	PA66 UL94V2	Black	11.1	4	1000
42757	GBS5-8-66B	BHC1-8-01BK	PA66 UL94V2	Black	12.7	4	1000
42758	GBS5-10-66B	BHC1-10-01BK	PA66 UL94V2	Black	15.9	4	1000
42759	GBS5-12-66B	BHC1-12-01BK	PA66 UL94V2	Black	19.1	4	1000
42760	GBS5-14-66B	BHC1-14-01BK	PA66 UL94V2	Black	22.2	4	1000
42761	GBS5-3-BV0	BHC1-3-19BK	PA66 UL94V0	Black	4.8	4	1000
42762	GBS5-4-BV0	BHC1-4-19BK	PA66 UL94V0	Black	6.4	4	1000
42763	GBS5-6-BV0	BHC1-6-19BK	PA66 UL94V0	Black	9.5	4	1000
42764	GBS5-7-BV0	BHC1-7-19BK	PA66 UL94V0	Black	11.1	4	1000
42765	GBS5-8-BV0	BHC1-8-19BK	PA66 UL94V0	Black	12.7	4	1000
42766	GBS5-10-BV0	BHC1-10-19BK	PA66 UL94V0	Black	15.9	4	1000
42767	GBS5-12-BV0	BHC1-12-19BK	PA66 UL94V0	Black	19.1	4	1000
42768	GBS5-14-BV0	BHC1-14-19BK	PA66 UL94V0	Black	22.2	4	1000

Material: PA66 UL94V2 (GMS-01); PA66 UL94V0 (GMS-02)



DUAL LOCKING SPACER

Blind Hole Circuit Board Support GBS3/6



GBS3

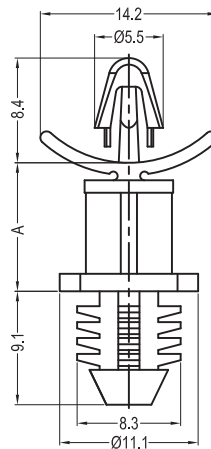


Fig.1

Top Hole: 4.0±0.08mm
Panel Thickness: 0.79-1.98mm
Bottom Hole: 7.92±0.08mm
Panel Thickness: 6.4mm Min.

GBS6

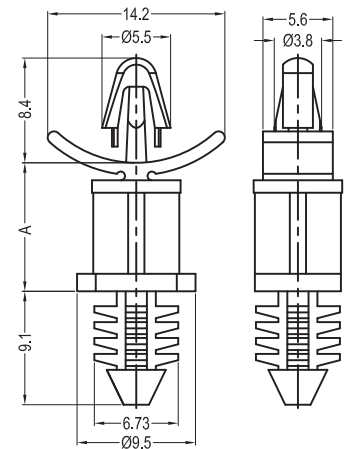


Fig.2

Top Hole: 4.0±0.08mm
Panel Thickness: 0.79-1.98mm
Bottom Hole: 6.35±0.08mm
Panel Thickness: 6.4mm Min.

Sizes in mm

P/N.	Article No.	Cross-Ref.	Material	Color	A	FIG.	Packing Unit
41121	GBS3-4-66	BHDL-4-01	PA66 UL94V2	Natural	6.4	1	1000
41122	GBS3-6-66	BHDL-6-01	PA66 UL94V2	Natural	9.5	1	1000
41123	GBS3-8-66	BHDL-8-01	PA66 UL94V2	Natural	12.7	1	1000
41124	GBS3-10-66	BHDL-10-01	PA66 UL94V2	Natural	15.9	1	1000
41125	GBS3-12-66	BHDL-12-01	PA66 UL94V2	Natural	19.1	1	1000
41126	GBS3-14-66	BHDL-14-01	PA66 UL94V2	Natural	22.2	1	1000
41614	GBS3-4-V0	BHDL-4-19	PA66 UL94V0	Natural	6.4	1	1000
41615	GBS3-6-V0	BHDL-6-19	PA66 UL94V0	Natural	9.5	1	1000
41616	GBS3-8-V0	BHDL-8-19	PA66 UL94V0	Natural	12.7	1	1000
41617	GBS3-10-V0	BHDL-10-19	PA66 UL94V0	Natural	15.9	1	1000
41618	GBS3-12-V0	BHDL-12-19	PA66 UL94V0	Natural	19.1	1	1000
41619	GBS3-14-V0	BHDL-14-19	PA66 UL94V0	Natural	22.2	1	1000
41143	GBS6-4-66	BHDL1-4-01	PA66 UL94V2	Natural	6.4	2	1000
41144	GBS6-6-66	BHDL1-6-01	PA66 UL94V2	Natural	9.5	2	1000
41145	GBS6-8-66	BHDL1-8-01	PA66 UL94V2	Natural	12.7	2	1000
41146	GBS6-10-66	BHDL1-10-01	PA66 UL94V2	Natural	15.9	2	1000
41147	GBS6-12-66	BHDL1-12-01	PA66 UL94V2	Natural	19.1	2	1000
41148	GBS6-14-66	BHDL1-14-01	PA66 UL94V2	Natural	22.2	2	1000
41636	GBS6-4-V0	BHDL1-4-19	PA66 UL94V0	Natural	6.4	2	1000
41637	GBS6-6-V0	BHDL1-6-19	PA66 UL94V0	Natural	9.5	2	1000
41638	GBS6-8-V0	BHDL1-8-19	PA66 UL94V0	Natural	12.7	2	1000
41639	GBS6-10-V0	BHDL1-10-19	PA66 UL94V0	Natural	15.9	2	1000
41640	GBS6-12-V0	BHDL1-12-19	PA66 UL94V0	Natural	19.1	2	1000
41641	GBS6-14-V0	BHDL1-14-19	PA66 UL94V0	Natural	22.2	2	1000

Material: PA66 UL94V2 (GMS-01); PA66 UL94V0 (GMS-02)



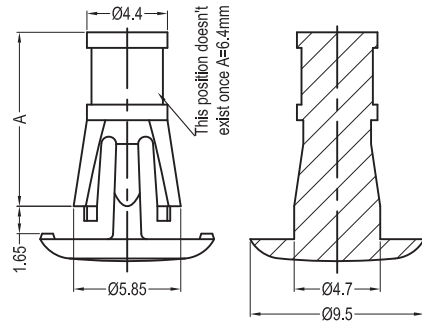
REVERSE LOCKING SPACER

Reverse Locking Circuit Board Support - Round Hole Spacer GLCBSC3

A



GLCBSC3



Bottom Hole: 4.75±0.08mm
Panel Thickness: 1.5-1.6mm

Sizes in mm

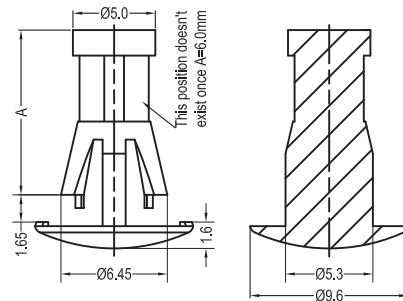
P/N.	Article No.	Cross-Ref.	Material	Color	A	Packing Unit
41204	GLCBSC3-4-66	RLCBSRS-4-01	PA66 UL94V2	Natural	6.4	1000
41205	GLCBSC3-5-66	RLCBSRS-5-01	PA66 UL94V2	Natural	7.9	1000
41206	GLCBSC3-6-66	RLCBSRS-6-01	PA66 UL94V2	Natural	9.5	1000
41207	GLCBSC3-7-66	RLCBSRS-7-01	PA66 UL94V2	Natural	11.1	1000
41208	GLCBSC3-8-66	RLCBSRS-8-01	PA66 UL94V2	Natural	12.7	1000
41209	GLCBSC3-9-66	RLCBSRS-9-01	PA66 UL94V2	Natural	14.3	1000
41210	GLCBSC3-10-66	RLCBSRS-10-01	PA66 UL94V2	Natural	15.9	1000
41771	GLCBSC3-4-V0	RLCBSRS-4-19	PA66 UL94V0	Natural	6.4	1000
41772	GLCBSC3-5-V0	RLCBSRS-5-19	PA66 UL94V0	Natural	7.9	1000
41773	GLCBSC3-6-V0	RLCBSRS-6-19	PA66 UL94V0	Natural	9.5	1000
41774	GLCBSC3-7-V0	RLCBSRS-7-19	PA66 UL94V0	Natural	11.1	1000
41775	GLCBSC3-8-V0	RLCBSRS-8-19	PA66 UL94V0	Natural	12.7	1000
41776	GLCBSC3-9-V0	RLCBSRS-9-19	PA66 UL94V0	Natural	14.3	1000
41777	GLCBSC3-10-V0	RLCBSRS-10-19	PA66 UL94V0	Natural	15.9	1000

Material: PA66 UL94V2 (GMS-01); PA66 UL94V0 (GMS-02)

Reverse Locking Circuit Board Support - Round Hole Spacer GLCBSC11



GLCBSC11



Bottom Hole: 5.4±0.08mm
Panel Thickness: 1.6mm

Sizes in mm

P/N.	Article No.	Material	Color	A	Packing Unit
41242	GLCBSC11-6-66	PA66 UL94V2	Natural	6.0	1000
41344	GLCBSC11-7.8-66	PA66 UL94V2	Natural	7.8	1000
41243	GLCBSC11-8-66	PA66 UL94V2	Natural	8.0	1000
41244	GLCBSC11-10-66	PA66 UL94V2	Natural	10.0	1000
41245	GLCBSC11-12-66	PA66 UL94V2	Natural	12.0	1000
41246	GLCBSC11-14-66	PA66 UL94V2	Natural	14.0	1000

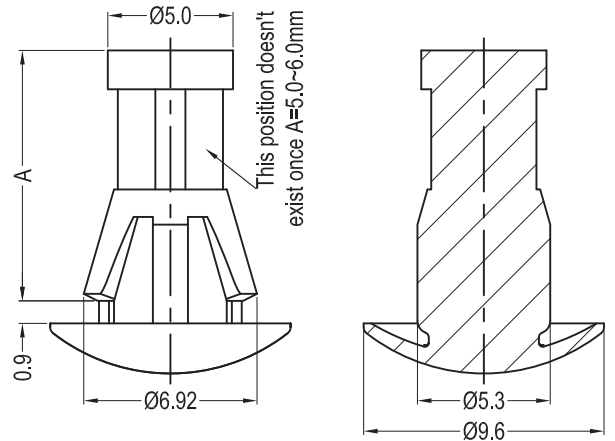
Material: PA66 UL94V2 (GMS-01)

REVERSE LOCKING SPACER

Reverse Locking Circuit Board Support - Round Hole Spacer GNPS



GNPS



Bottom Hole: $5.5 \pm 0.08\text{mm}$
Panel Thickness: $1.0-1.5\text{mm}$

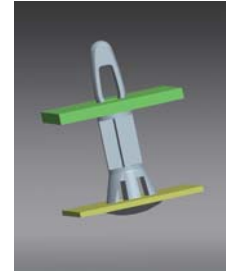
Sizes in mm

<u>P/N.</u>	<u>Article No.</u>	<u>Material</u>	<u>Color</u>	<u>A</u>	<u>Packing Unit</u>
40968	GNPS-5	PA66 UL94V2	Natural	5.0	1000
40969	GNPS-6	PA66 UL94V2	Natural	6.0	1000
40970	GNPS-8	PA66 UL94V2	Natural	8.0	1000
41488	GNPS-10	PA66 UL94V2	Natural	10.0	1000
40971	GNPS-12	PA66 UL94V2	Natural	12.0	1000
41489	GNPS-14	PA66 UL94V2	Natural	14.0	1000
40972	GNPS-16	PA66 UL94V2	Natural	16.0	1000
40973	GNPS-18	PA66 UL94V2	Natural	18.0	1000
42242	GNPS-20	PA66 UL94V2	Natural	20.0	1000

Material: PA66 UL94V2 (GMS-01)

REVERSE LOCKING SPACER

Cupped Reverse Locking Circuit Board Support GLCBSC4/13/15



Sizes in mm

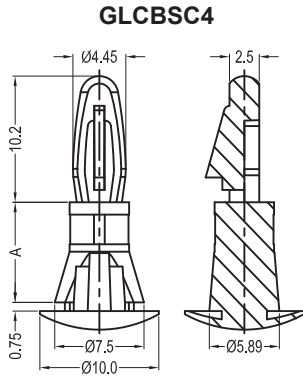


Fig.1

Top Hole: 4.0±0.08mm
Panel Thickness: 1.6mm
Bottom Hole: 6.0±0.08mm
Panel Thickness: 0.8-1.2mm

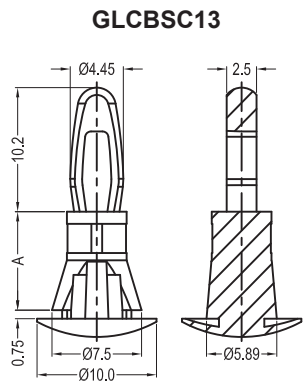


Fig.2

Top Hole: 4.0±0.08mm
Panel Thickness: 1.6mm
Bottom Hole: 6.0±0.08mm
Panel Thickness: 0.8-1.2mm

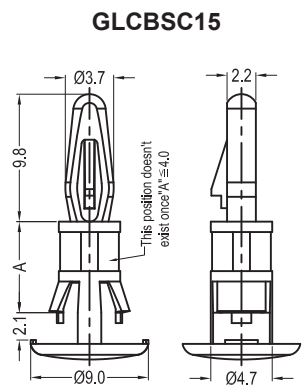


Fig.3

Top Hole: 3.2±0.08mm
Panel Thickness: 1.5mm
Bottom Hole: 5.0±0.08mm
Panel Thickness: 2.0mm

P/N.	Article No.	Cross-Ref.	Material	Color	A	FIG.	Packing Unit
40893	GLCBSC4-3-66	CRLCBSR-3-01	PA66 UL94V2	Natural	4.8	1	1000
40894	GLCBSC4-4-66	CRLCBSR-4-01	PA66 UL94V2	Natural	6.4	1	1000
40895	GLCBSC4-5-66	CRLCBSR-5-01	PA66 UL94V2	Natural	7.9	1	1000
40896	GLCBSC4-6-66	CRLCBSR-6-01	PA66 UL94V2	Natural	9.5	1	1000
40897	GLCBSC4-8-66	CRLCBSR-8-01	PA66 UL94V2	Natural	12.7	1	1000
42023	GLCBSC4-10-66	CRLCBSR-10-01	PA66 UL94V2	Natural	15.9	1	1000
40898	GLCBSC4-12-66	CRLCBSR-12-01	PA66 UL94V2	Natural	19.1	1	1000
41456	GLCBSC4-3-66B	CRLCBSR-3-01BK	PA66 UL94V2	Black	4.8	1	1000
41457	GLCBSC4-4-66B	CRLCBSR-4-01BK	PA66 UL94V2	Black	6.4	1	1000
41458	GLCBSC4-5-66B	CRLCBSR-5-01BK	PA66 UL94V2	Black	7.9	1	1000
41459	GLCBSC4-6-66B	CRLCBSR-6-01BK	PA66 UL94V2	Black	9.5	1	1000
41460	GLCBSC4-8-66B	CRLCBSR-8-01BK	PA66 UL94V2	Black	12.7	1	1000
40615	GLCBSC4-10-66B	CRLCBSR-10-01BK	PA66 UL94V2	Black	15.9	1	1000
41461	GLCBSC4-12-66B	CRLCBSR-12-01BK	PA66 UL94V2	Black	19.1	1	1000
41450	GLCBSC4-3-V0	CRLCBSR-3-19	PA66 UL94V0	Natural	4.8	1	1000
41451	GLCBSC4-4-V0	CRLCBSR-4-19	PA66 UL94V0	Natural	6.4	1	1000
41452	GLCBSC4-5-V0	CRLCBSR-5-19	PA66 UL94V0	Natural	7.9	1	1000
41453	GLCBSC4-6-V0	CRLCBSR-6-19	PA66 UL94V0	Natural	9.5	1	1000
41454	GLCBSC4-8-V0	CRLCBSR-8-19	PA66 UL94V0	Natural	12.7	1	1000
42024	GLCBSC4-10-V0	CRLCBSR-10-19	PA66 UL94V0	Natural	15.9	1	1000
41455	GLCBSC4-12-V0	CRLCBSR-12-19	PA66 UL94V0	Natural	19.1	1	1000
41378	GLCBSC13-3-66	-	PA66 UL94V2	Natural	4.8	2	1000
41379	GLCBSC13-4-66	-	PA66 UL94V2	Natural	6.4	2	1000
41380	GLCBSC13-5-66	-	PA66 UL94V2	Natural	7.9	2	1000
41381	GLCBSC13-6-66	-	PA66 UL94V2	Natural	9.5	2	1000
41382	GLCBSC13-8-66	-	PA66 UL94V2	Natural	12.7	2	1000
42545	GLCBSC13-10-66	-	PA66 UL94V2	Natural	15.9	2	1000
41383	GLCBSC13-12-66	-	PA66 UL94V2	Natural	19.1	2	1000
42080	GLCBSC13-3-V0	-	PA66 UL94V0	Natural	4.8	2	1000
42450	GLCBSC13-4-V0	-	PA66 UL94V0	Natural	6.4	2	1000
42451	GLCBSC13-5-V0	-	PA66 UL94V0	Natural	7.9	2	1000
42452	GLCBSC13-6-V0	-	PA66 UL94V0	Natural	9.5	2	1000
42453	GLCBSC13-8-V0	-	PA66 UL94V0	Natural	12.7	2	1000
42546	GLCBSC13-10-V0	-	PA66 UL94V0	Natural	15.9	2	1000
42454	GLCBSC13-12-V0	-	PA66 UL94V0	Natural	19.1	2	1000
43421	GLCBSC15-3.2-66B-HB	-	PA66 UL94HB	Black	3.2	3	1000
43422	GLCBSC15-4-66B-HB	-	PA66 UL94HB	Black	4.0	3	1000
43423	GLCBSC15-5-66B-HB	-	PA66 UL94HB	Black	5.0	3	1000
43424	GLCBSC15-6-66B-HB	-	PA66 UL94HB	Black	6.0	3	1000
43425	GLCBSC15-7-66B-HB	-	PA66 UL94HB	Black	7.0	3	1000
43426	GLCBSC15-8-66B-HB	-	PA66 UL94HB	Black	8.0	3	1000
43427	GLCBSC15-9-66B-HB	-	PA66 UL94HB	Black	9.0	3	1000
43428	GLCBSC15-10-66B-HB	-	PA66 UL94HB	Black	10.0	3	1000
43429	GLCBSC15-11-66B-HB	-	PA66 UL94HB	Black	11.0	3	1000
43430	GLCBSC15-12-66B-HB	-	PA66 UL94HB	Black	12.0	3	1000
43431	GLCBSC15-13-66B-HB	-	PA66 UL94HB	Black	13.0	3	1000
43432	GLCBSC15-14-66B-HB	-	PA66 UL94HB	Black	14.0	3	1000
43433	GLCBSC15-15-66B-HB	-	PA66 UL94HB	Black	15.0	3	1000

Material: PA66 UL94V2 (GMS-01); PA66 UL94V0 (GMS-02); PA66 UL94HB (GMS-34)



REVERSE LOCKING SPACER

Cupped Reverse Locking Circuit Board Support GLCBSC5/6/7

GLCBSC5

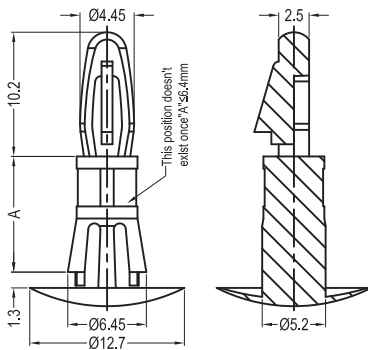


Fig.1

Top Hole: $4.0 \pm 0.08\text{mm}$
Panel Thickness: 1.6mm
Bottom Hole: $5.4 \pm 0.08\text{mm}$
Panel Thickness: 1.2-2.0mm

GLCBSC6

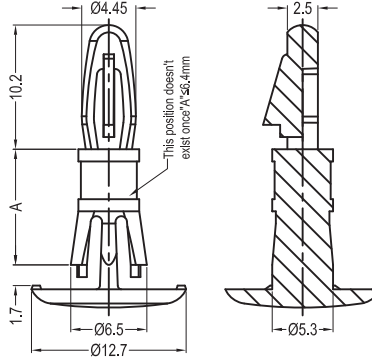


Fig.2

Top Hole: $4.0 \pm 0.08\text{mm}$
Panel Thickness: 1.57mm
Bottom Hole: $5.4 \pm 0.08\text{mm}$
Panel Thickness: 1.5-1.65mm

GLCBSC7

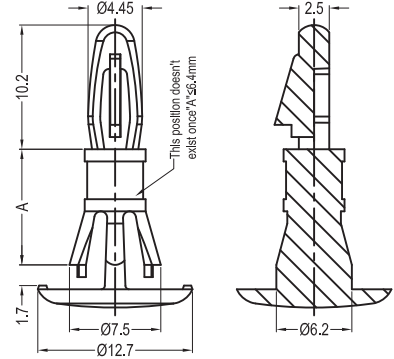


Fig.3

Top Hole: $4.0 \pm 0.08\text{mm}$
Panel Thickness: 1.57mm
Bottom Hole: $6.35 \pm 0.08\text{mm}$
Panel Thickness: 1.5-1.65mm

Sizes in mm

P/N.	Article No.	Cross-Ref.	Material	Color	A	FIG.	Packing Unit
42693	GLCBSC5-3-66	CRLCBSRE-3-01	PA66 UL94V2	Natural	4.8	1	1000
40889	GLCBSC5-4-66	CRLCBSRE-4-01	PA66 UL94V2	Natural	6.4	1	1000
40890	GLCBSC5-6-66	CRLCBSRE-6-01	PA66 UL94V2	Natural	9.5	1	1000
40891	GLCBSC5-8-66	CRLCBSRE-8-01	PA66 UL94V2	Natural	12.7	1	1000
40892	GLCBSC5-10-66	CRLCBSRE-10-01	PA66 UL94V2	Natural	15.9	1	1000
42694	GLCBSC5-3-V0	CRLCBSRE-3-19	PA66 UL94V0	Natural	4.8	1	1000
42019	GLCBSC5-4-V0	CRLCBSRE-4-19	PA66 UL94V0	Natural	6.4	1	1000
42020	GLCBSC5-6-V0	CRLCBSRE-6-19	PA66 UL94V0	Natural	9.5	1	1000
42021	GLCBSC5-8-V0	CRLCBSRE-8-19	PA66 UL94V0	Natural	12.7	1	1000
42022	GLCBSC5-10-V0	CRLCBSRE-10-19	PA66 UL94V0	Natural	15.9	1	1000
43775	GLCBSC6-3-66	RLCBSRE-3-01	PA66 UL94V2	Natural	4.8	2	1000
40984	GLCBSC6-4-66	RLCBSRE-4-01	PA66 UL94V2	Natural	6.4	2	1000
40983	GLCBSC6-4-66B	RLCBSRE-4-01BK	PA66 UL94V2	Black	6.4	2	1000
40985	GLCBSC6-6-66	RLCBSRE-6-01	PA66 UL94V2	Natural	9.5	2	1000
42386	GLCBSC6-6-66B	RLCBSRE-6-01BK	PA66 UL94V2	Black	9.5	2	1000
40986	GLCBSC6-8-66	RLCBSRE-8-01	PA66 UL94V2	Natural	12.7	2	1000
40987	GLCBSC6-10-66	RLCBSRE-10-01	PA66 UL94V2	Natural	15.9	2	1000
43774	GLCBSC6-3-V0	RLCBSRE-3-19	PA66 UL94V0	Natural	4.8	2	1000
41557	GLCBSC6-4-V0	RLCBSRE-4-19	PA66 UL94V0	Natural	6.4	2	1000
41558	GLCBSC6-6-V0	RLCBSRE-6-19	PA66 UL94V0	Natural	9.5	2	1000
41559	GLCBSC6-8-V0	RLCBSRE-8-19	PA66 UL94V0	Natural	12.7	2	1000
41560	GLCBSC6-10-V0	RLCBSRE-10-19	PA66 UL94V0	Natural	15.9	2	1000
40988	GLCBSC7-4-66	RLCBSR1-4-01	PA66 UL94V2	Natural	6.4	3	1000
40989	GLCBSC7-6-66	RLCBSR1-6-01	PA66 UL94V2	Natural	9.5	3	1000
40990	GLCBSC7-8-66	RLCBSR1-8-01	PA66 UL94V2	Natural	12.7	3	1000
42532	GLCBSC7-8-66B	RLCBSR1-8-01BK	PA66 UL94V2	Black	12.7	3	1000
40991	GLCBSC7-10-66	RLCBSR1-10-01	PA66 UL94V2	Natural	15.9	3	1000
41561	GLCBSC7-4-V0	RLCBSR1-4-19	PA66 UL94V0	Natural	6.4	3	1000
41562	GLCBSC7-6-V0	RLCBSR1-6-19	PA66 UL94V0	Natural	9.5	3	1000
41563	GLCBSC7-8-V0	RLCBSR1-8-19	PA66 UL94V0	Natural	12.7	3	1000
41564	GLCBSC7-10-V0	RLCBSR1-10-19	PA66 UL94V0	Natural	15.9	3	1000

Material: PA66 UL94V2 (GMS-01); PA66 UL94V0 (GMS-02)

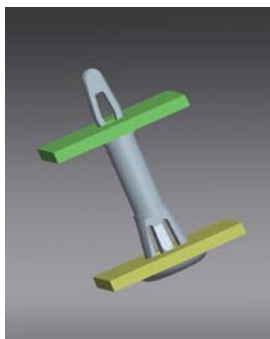
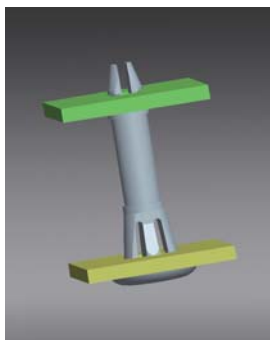
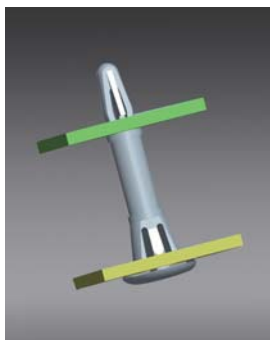


REVERSE LOCKING SPACER

Cupped Reverse Locking Circuit Board Support

GLCBSC2/8/9

A



GLCBSC2

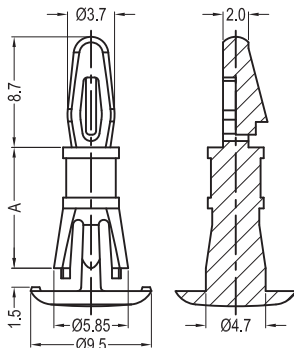


Fig.1

Top Hole: 3.18±0.05mm
 Panel Thickness: 1.57mm
 Bottom Hole: 4.75±0.08mm
 Panel Thickness: 1.5-1.6mm

GLCBSC8

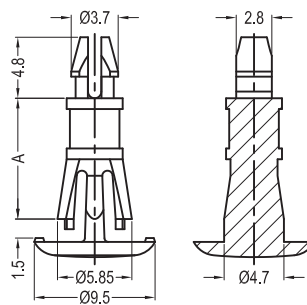


Fig.2

Top Hole: 3.18±0.05mm
 Panel Thickness: 1.57mm
 Bottom Hole: 4.75±0.08mm
 Panel Thickness: 1.5-1.6mm

GLCBSC9

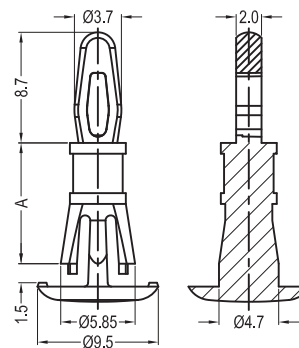


Fig.3

Top Hole: 3.18±0.05mm
 Panel Thickness: 1.57mm
 Bottom Hole: 4.75±0.08mm
 Panel Thickness: 1.5-1.6mm

Sizes in mm

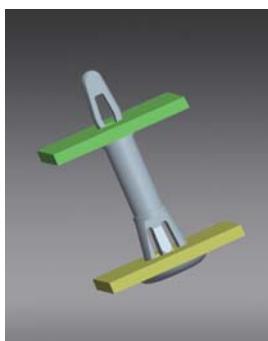
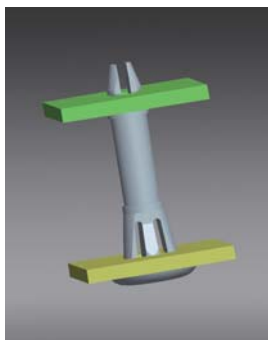
P/N.	Article No.	Cross-Ref.	Material	Color	A	FIG.	Packing Unit
40618	GLCBSC2-4-66	RLCBSR-4-01	PA66 UL94V2	Natural	6.4	1	1000
40620	GLCBSC2-5-66	RLCBSR-5-01	PA66 UL94V2	Natural	7.9	1	1000
40621	GLCBSC2-6-66	RLCBSR-6-01	PA66 UL94V2	Natural	9.5	1	1000
40622	GLCBSC2-7-66	RLCBSR-7-01	PA66 UL94V2	Natural	11.1	1	1000
40623	GLCBSC2-8-66	RLCBSR-8-01	PA66 UL94V2	Natural	12.7	1	1000
40625	GLCBSC2-9-66	RLCBSR-9-01	PA66 UL94V2	Natural	14.3	1	1000
40626	GLCBSC2-10-66	RLCBSR-10-01	PA66 UL94V2	Natural	15.9	1	1000
40619	GLCBSC2-4-66B	RLCBSR-4-01BK	PA66 UL94V2	Black	6.4	1	1000
43134	GLCBSC2-5-66B	RLCBSR-5-01BK	PA66 UL94V2	Black	7.9	1	1000
41422	GLCBSC2-6-66B	RLCBSR-6-01BK	PA66 UL94V2	Black	9.5	1	1000
43135	GLCBSC2-7-66B	RLCBSR-7-01BK	PA66 UL94V2	Black	11.1	1	1000
40624	GLCBSC2-8-66B	RLCBSR-8-01BK	PA66 UL94V2	Black	12.7	1	1000
43136	GLCBSC2-9-66B	RLCBSR-9-01BK	PA66 UL94V2	Black	14.3	1	1000
43137	GLCBSC2-10-66B	RLCBSR-10-01BK	PA66 UL94V2	Black	15.9	1	1000
41976	GLCBSC2-4-V0	RLCBSR-4-19	PA66 UL94V0	Natural	6.4	1	1000
41977	GLCBSC2-5-V0	RLCBSR-5-19	PA66 UL94V0	Natural	7.9	1	1000
41978	GLCBSC2-6-V0	RLCBSR-6-19	PA66 UL94V0	Natural	9.5	1	1000
41979	GLCBSC2-7-V0	RLCBSR-7-19	PA66 UL94V0	Natural	11.1	1	1000
41980	GLCBSC2-8-V0	RLCBSR-8-19	PA66 UL94V0	Natural	12.7	1	1000
41981	GLCBSC2-9-V0	RLCBSR-9-19	PA66 UL94V0	Natural	14.3	1	1000
41982	GLCBSC2-10-V0	RLCBSR-10-19	PA66 UL94V0	Natural	15.9	1	1000
41211	GLCBSC8-4-66	RLCBSR-4-01	PA66 UL94V2	Natural	6.4	2	1000
41212	GLCBSC8-5-66	RLCBSR-5-01	PA66 UL94V2	Natural	7.9	2	1000
41213	GLCBSC8-6-66	RLCBSR-6-01	PA66 UL94V2	Natural	9.5	2	1000
41214	GLCBSC8-7-66	RLCBSR-7-01	PA66 UL94V2	Natural	11.1	2	1000
41215	GLCBSC8-8-66	RLCBSR-8-01	PA66 UL94V2	Natural	12.7	2	1000
41216	GLCBSC8-9-66	RLCBSR-9-01	PA66 UL94V2	Natural	14.3	2	1000

Material: PA66 UL94V2 (GMS-01); PA66 UL94V0 (GMS-02)



REVERSE LOCKING SPACER

Cupped Reverse Locking Circuit Board Support GLCBSC2/8/9



GLCBSC2

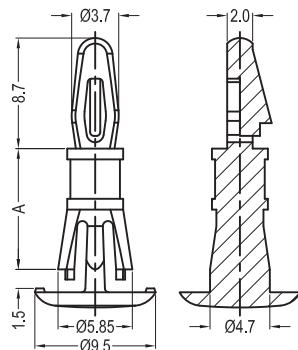


Fig.1

Top Hole: 3.18±0.05mm
Panel Thickness: 1.57mm
Bottom Hole: 4.75±0.08mm
Panel Thickness: 1.5-1.6mm

GLCBSC8

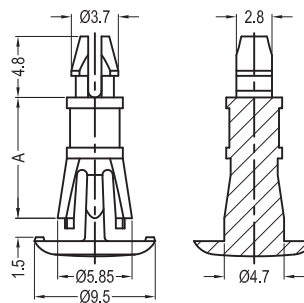


Fig.2

Top Hole: 3.18±0.05mm
Panel Thickness: 1.57mm
Bottom Hole: 4.75±0.08mm
Panel Thickness: 1.5-1.6mm

GLCBSC9

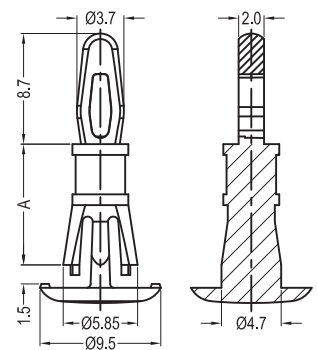


Fig.3

Top Hole: 3.18±0.05mm
Panel Thickness: 1.57mm
Bottom Hole: 4.75±0.08mm
Panel Thickness: 1.5-1.6mm

Sizes in mm

P/N.	Article No.	Cross-Ref.	Material	Color	A	FIG.	Packing Unit
41217	GLCBSC8-10-66	RLCBSPR-10-01	PA66 UL94V2	Natural	15.9	2	1000
41411	GLCBSC8-4-66B	RLCBSPR-4-01BK	PA66 UL94V2	Black	6.4	2	1000
41412	GLCBSC8-5-66B	RLCBSPR-5-01BK	PA66 UL94V2	Black	7.9	2	1000
41413	GLCBSC8-6-66B	RLCBSPR-6-01BK	PA66 UL94V2	Black	9.5	2	1000
41414	GLCBSC8-7-66B	RLCBSPR-7-01BK	PA66 UL94V2	Black	11.1	2	1000
41415	GLCBSC8-8-66B	RLCBSPR-8-01BK	PA66 UL94V2	Black	12.7	2	1000
41416	GLCBSC8-9-66B	RLCBSPR-9-01BK	PA66 UL94V2	Black	14.3	2	1000
41417	GLCBSC8-10-66B	RLCBSPR-10-01BK	PA66 UL94V2	Black	15.9	2	1000
41778	GLCBSC8-4-V0	RLCBSPR-4-19	PA66 UL94V0	Natural	6.4	2	1000
41779	GLCBSC8-5-V0	RLCBSPR-5-19	PA66 UL94V0	Natural	7.9	2	1000
41780	GLCBSC8-6-V0	RLCBSPR-6-19	PA66 UL94V0	Natural	9.5	2	1000
41781	GLCBSC8-7-V0	RLCBSPR-7-19	PA66 UL94V0	Natural	11.1	2	1000
41782	GLCBSC8-8-V0	RLCBSPR-8-19	PA66 UL94V0	Natural	12.7	2	1000
41783	GLCBSC8-9-V0	RLCBSPR-9-19	PA66 UL94V0	Natural	14.3	2	1000
41784	GLCBSC8-10-V0	RLCBSPR-10-19	PA66 UL94V0	Natural	15.9	2	1000
41218	GLCBSC9-4-66	RCBSR-4-01	PA66 UL94V2	Natural	6.4	3	1000
41219	GLCBSC9-5-66	RCBSR-5-01	PA66 UL94V2	Natural	7.9	3	1000
41220	GLCBSC9-6-66	RCBSR-6-01	PA66 UL94V2	Natural	9.5	3	1000
41221	GLCBSC9-7-66	RCBSR-7-01	PA66 UL94V2	Natural	11.1	3	1000
41222	GLCBSC9-8-66	RCBSR-8-01	PA66 UL94V2	Natural	12.7	3	1000
41223	GLCBSC9-9-66	RCBSR-9-01	PA66 UL94V2	Natural	14.3	3	1000
41224	GLCBSC9-10-66	RCBSR-10-01	PA66 UL94V2	Natural	15.9	3	1000
41785	GLCBSC9-4-V0	RCBSR-4-19	PA66 UL94V0	Natural	6.4	3	1000
41786	GLCBSC9-5-V0	RCBSR-5-19	PA66 UL94V0	Natural	7.9	3	1000
41787	GLCBSC9-6-V0	RCBSR-6-19	PA66 UL94V0	Natural	9.5	3	1000
41788	GLCBSC9-7-V0	RCBSR-7-19	PA66 UL94V0	Natural	11.1	3	1000
41789	GLCBSC9-8-V0	RCBSR-8-19	PA66 UL94V0	Natural	12.7	3	1000
41790	GLCBSC9-9-V0	RCBSR-9-19	PA66 UL94V0	Natural	14.3	3	1000
41791	GLCBSC9-10-V0	RCBSR-10-19	PA66 UL94V0	Natural	15.9	3	1000

Material: PA66 UL94V2 (GMS-01); PA66 UL94V0 (GMS-02)



sales@sucatec.com



www.sucatec.com

REVERSE LOCKING SPACER

Cupped Reverse Locking Circuit Board Support

GLCBSC/10/12-2

A

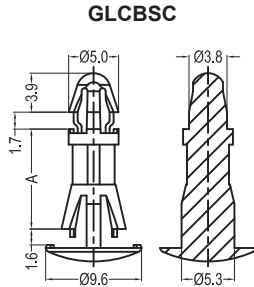


Fig.1

Top Hole: 4.0±0.08mm
Panel Thickness: 1.6mm
Bottom Hole: 5.4±0.08mm
Panel Thickness: 1.6mm

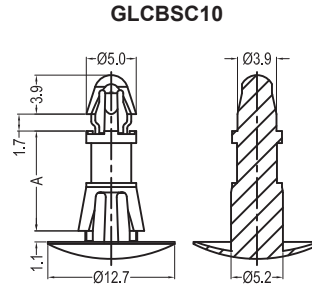


Fig.2

Top Hole: 4.0±0.08mm
Panel Thickness: 1.6mm
Bottom Hole: 5.4±0.08mm
Panel Thickness: 1.0-1.6mm

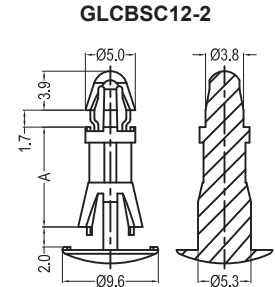


Fig.3

Top Hole: 4.0±0.08mm
Panel Thickness: 1.6mm
Bottom Hole: 5.4±0.08mm
Panel Thickness: 2.0mm

Sizes in mm

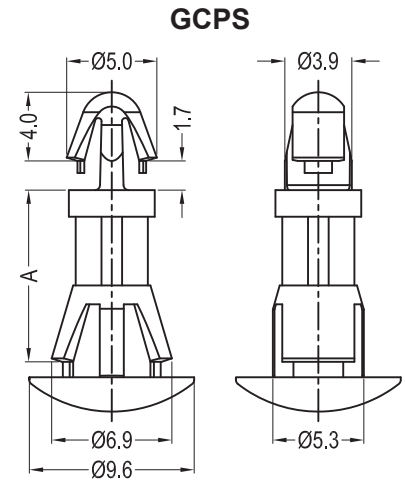
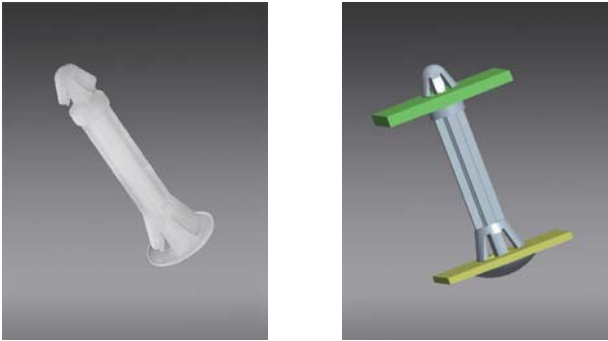
P/N.	Article No.	Cross-Ref.	Material	Color	A	FIG.	Packing Unit
40578	GLCBSC-6-66	RLCBSK-6-01	PA66 UL94V2	Natural	6.0	1	1000
40579	GLCBSC-8-66	RLCBSK-8-01	PA66 UL94V2	Natural	8.0	1	1000
40580	GLCBSC-10-66	RLCBSK-10-01	PA66 UL94V2	Natural	10.0	1	1000
40581	GLCBSC-12-66	RLCBSK-12-01	PA66 UL94V2	Natural	12.0	1	1000
40582	GLCBSC-14-66	RLCBSK-14-01	PA66 UL94V2	Natural	14.0	1	1000
43455	GLCBSC-16-66	RLCBSK-16-01	PA66 UL94V2	Natural	16.0	1	1000
41345	GLCBSC-6-V0	RLCBSK-6-19	PA66 UL94V0	Natural	6.0	1	1000
41346	GLCBSC-8-V0	RLCBSK-8-19	PA66 UL94V0	Natural	8.0	1	1000
41347	GLCBSC-10-V0	RLCBSK-10-19	PA66 UL94V0	Natural	10.0	1	1000
41348	GLCBSC-12-V0	RLCBSK-12-19	PA66 UL94V0	Natural	12.0	1	1000
41349	GLCBSC-14-V0	RLCBSK-14-19	PA66 UL94V0	Natural	14.0	1	1000
43457	GLCBSC-16-V0	RLCBSK-16-19	PA66 UL94V0	Natural	16.0	1	1000
41445	GLCBSC-6-66B	RLCBSK-6-01BK	PA66 UL94V2	Black	6.0	1	1000
41446	GLCBSC-8-66B	RLCBSK-8-01BK	PA66 UL94V2	Black	8.0	1	1000
41447	GLCBSC-10-66B	RLCBSK-10-01BK	PA66 UL94V2	Black	10.0	1	1000
41448	GLCBSC-12-66B	RLCBSK-12-01BK	PA66 UL94V2	Black	12.0	1	1000
41449	GLCBSC-14-66B	RLCBSK-14-01BK	PA66 UL94V2	Black	14.0	1	1000
43456	GLCBSC-16-66B	RLCBSK-16-01BK	PA66 UL94V2	Black	16.0	1	1000
41225	GLCBSC10-8-66	CRLCBSK-2-8-01	PA66 UL94V2	Natural	8.0	2	1000
41226	GLCBSC10-10-66	CRLCBSK-2-10-01	PA66 UL94V2	Natural	10.0	2	1000
41227	GLCBSC10-12-66	CRLCBSK-2-12-01	PA66 UL94V2	Natural	12.0	2	1000
41228	GLCBSC10-14-66	CRLCBSK-2-14-01	PA66 UL94V2	Natural	14.0	2	1000
41792	GLCBSC10-8-V0	CRLCBSK-2-8-19	PA66 UL94V0	Natural	8.0	2	1000
41793	GLCBSC10-10-V0	CRLCBSK-2-10-19	PA66 UL94V0	Natural	10.0	2	1000
41794	GLCBSC10-12-V0	CRLCBSK-2-12-19	PA66 UL94V0	Natural	12.0	2	1000
41795	GLCBSC10-14-V0	CRLCBSK-2-14-19	PA66 UL94V0	Natural	14.0	2	1000
41249	GLCBSC12-2-6-66	RLCBSK-2-6-01	PA66 UL94V2	Natural	6.0	3	1000
41250	GLCBSC12-2-8-66	RLCBSK-2-8-01	PA66 UL94V2	Natural	8.0	3	1000
41251	GLCBSC12-2-10-66	RLCBSK-2-10-01	PA66 UL94V2	Natural	10.0	3	1000
41252	GLCBSC12-2-12-66	RLCBSK-2-12-01	PA66 UL94V2	Natural	12.0	3	1000
41253	GLCBSC12-2-14-66	RLCBSK-2-14-01	PA66 UL94V2	Natural	14.0	3	1000
41824	GLCBSC12-2-6-V0	RLCBSK-2-6-19	PA66 UL94V0	Natural	6.0	3	1000
41825	GLCBSC12-2-8-V0	RLCBSK-2-8-19	PA66 UL94V0	Natural	8.0	3	1000
41826	GLCBSC12-2-10-V0	RLCBSK-2-10-19	PA66 UL94V0	Natural	10.0	3	1000
41827	GLCBSC12-2-12-V0	RLCBSK-2-12-19	PA66 UL94V0	Natural	12.0	3	1000
41828	GLCBSC12-2-14-V0	RLCBSK-2-14-19	PA66 UL94V0	Natural	14.0	3	1000

Material: PA66 UL94V2 (GMS-01); PA66 UL94V0 (GMS-02)



REVERSE LOCKING SPACER

Cupped Reverse Locking Circuit Board Support GCPS



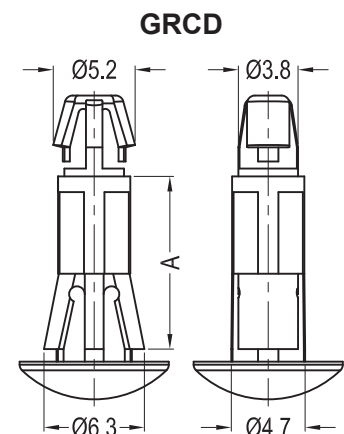
Top Hole: 4.0±0.08mm
Panel Thickness: 1.6mm
Bottom Hole: 5.5±0.08mm
Panel Thickness: 1.0-1.5mm

Sizes in mm

P/N.	Article No.	Cross-Ref.	Material	Color	A	Packing Unit
40878	GCPS-5	100305200002	PA66 UL94V2	Natural	5.0	1000
40879	GCPS-6	100306000002	PA66 UL94V2	Natural	6.0	1000
40880	GCPS-8	100308000002	PA66 UL94V2	Natural	8.0	1000
40881	GCPS-10	100310000002	PA66 UL94V2	Natural	10.0	1000
40882	GCPS-12	100312000002	PA66 UL94V2	Natural	12.0	1000
40883	GCPS-14	-	PA66 UL94V2	Natural	14.0	1000
40884	GCPS-16	100316000002	PA66 UL94V2	Natural	16.0	1000
40885	GCPS-18	-	PA66 UL94V2	Natural	18.0	1000
40886	GCPS-20	100320000002	PA66 UL94V2	Natural	20.0	1000
40887	GCPS-22	-	PA66 UL94V2	Natural	22.0	1000
41327	GCPS-24	100324000002	PA66 UL94V2	Natural	24.0	1000

Material: PA66 UL94V2 (GMS-01)

Cupped Reverse Locking Circuit Board Support GRCD



Top Hole: 4.0±0.08mm
Panel Thickness: 1.0-1.7mm
Bottom Hole: 4.8±0.08mm
Panel Thickness: 0.8-1.2mm

Sizes in mm

P/N.	Article No.	Material	Color	A	Packing Unit
42108	GRCD-6	PA66 UL94V2	Natural	6.3	1000
42111	GRCD-8	PA66 UL94V2	Natural	8.0	1000
42109	GRCD-10	PA66 UL94V2	Natural	10.0	1000
42112	GRCD-11	PA66 UL94V2	Natural	11.0	1000

Material: PA66 UL94V2 (GMS-01)



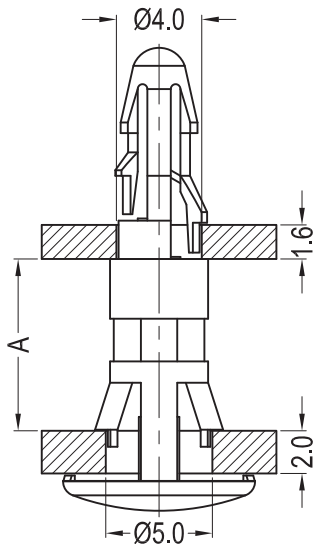
REVERSE LOCKING SPACER

Cupped Reverse Locking Circuit Board Support GRLCBSL-2

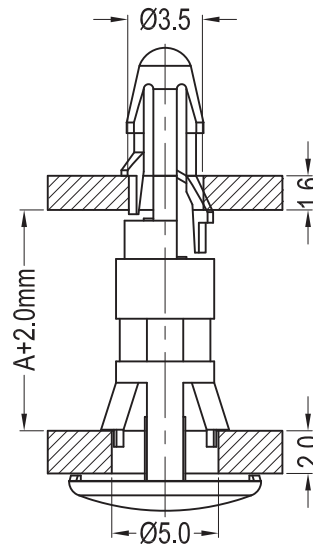
A



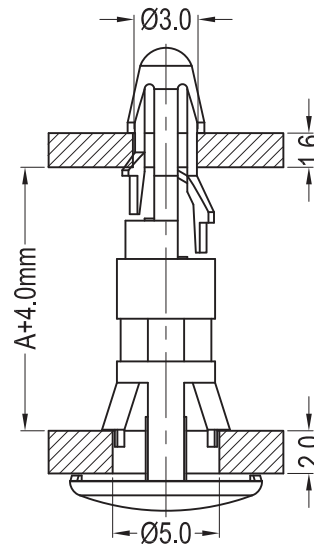
GRLCBSL-2



Top Hole: 4.0±0.08mm
Panel Thickness: 1.6mm
Bottom Hole: 5.0±0.08mm
Panel Thickness: 2.0mm



Top Hole: 3.5±0.08mm
Panel Thickness: 1.6mm
Bottom Hole: 5.0±0.08mm
Panel Thickness: 2.0mm



Top Hole: 3.0±0.08mm
Panel Thickness: 1.6mm
Bottom Hole: 5.0±0.08mm
Panel Thickness: 2.0mm

Sizes in mm

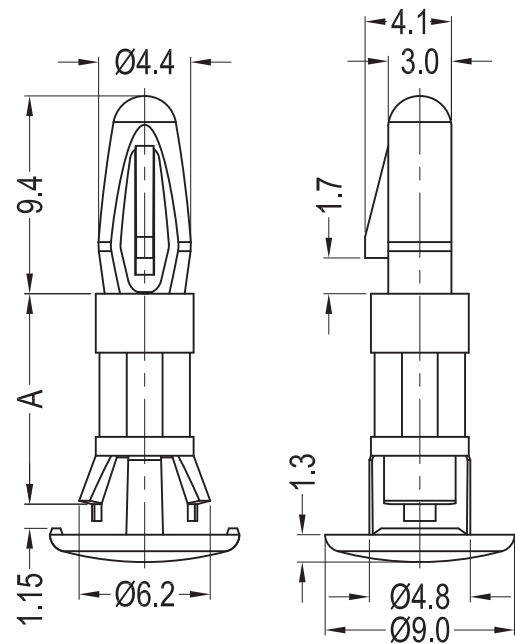
P/N.	Article No.	Material	Color	A	Packing Unit
42565	GRLCBSL-2-6M-66B	PA66 UL94V2	Black	6.0	1000
42566	GRLCBSL-2-7M-66B	PA66 UL94V2	Black	7.0	1000
42567	GRLCBSL-2-8M-66B	PA66 UL94V2	Black	8.0	1000
42568	GRLCBSL-2-9M-66B	PA66 UL94V2	Black	9.0	1000
42569	GRLCBSL-2-10M-66B	PA66 UL94V2	Black	10.0	1000
42570	GRLCBSL-2-11M-66B	PA66 UL94V2	Black	11.0	1000
42571	GRLCBSL-2-12M-66B	PA66 UL94V2	Black	12.0	1000
42572	GRLCBSL-2-13M-66B	PA66 UL94V2	Black	13.0	1000
42573	GRLCBSL-2-14M-66B	PA66 UL94V2	Black	14.0	1000
42574	GRLCBSL-2-15M-66B	PA66 UL94V2	Black	15.0	1000
42575	GRLCBSL-2-16M-66B	PA66 UL94V2	Black	16.0	1000
42576	GRLCBSL-2-17M-66B	PA66 UL94V2	Black	17.0	1000
42577	GRLCBSL-2-18M-66B	PA66 UL94V2	Black	18.0	1000
42578	GRLCBSL-2-19M-66B	PA66 UL94V2	Black	19.0	1000
42579	GRLCBSL-2-20M-66B	PA66 UL94V2	Black	20.0	1000

Material: PA66 UL94V2 (GMS-01)

REVERSE LOCKING SPACER

Cupped Reverse Locking Circuit Board Support GCRLCBSR-L2

GCRLCBSR-L2



Top Hole: $4.0 \pm 0.08 \text{mm}$
Panel Thickness: 1.6mm
Bottom Hole: $5.0 \pm 0.08 \text{mm}$
Panel Thickness: 1.0mm

Sizes in mm

P/N.	Article No.	Material	Color	A	Packing Unit
42769	GCRLCBSR-L2-10	PA66 UL94V2	Black	10.0	1000
42770	GCRLCBSR-L2-11	PA66 UL94V2	Black	11.0	1000
42771	GCRLCBSR-L2-12	PA66 UL94V2	Black	12.0	1000
42772	GCRLCBSR-L2-13	PA66 UL94V2	Black	13.0	1000
42773	GCRLCBSR-L2-14	PA66 UL94V2	Black	14.0	1000
42774	GCRLCBSR-L2-15	PA66 UL94V2	Black	15.0	1000
42775	GCRLCBSR-L2-16	PA66 UL94V2	Black	16.0	1000
42776	GCRLCBSR-L2-17	PA66 UL94V2	Black	17.0	1000
42777	GCRLCBSR-L2-18	PA66 UL94V2	Black	18.0	1000
42778	GCRLCBSR-L2-19	PA66 UL94V2	Black	19.0	1000
42779	GCRLCBSR-L2-20	PA66 UL94V2	Black	20.0	1000

Material: PA66 UL94V2 (GMS-01)



sales@sucatec.com



www.sucatec.com

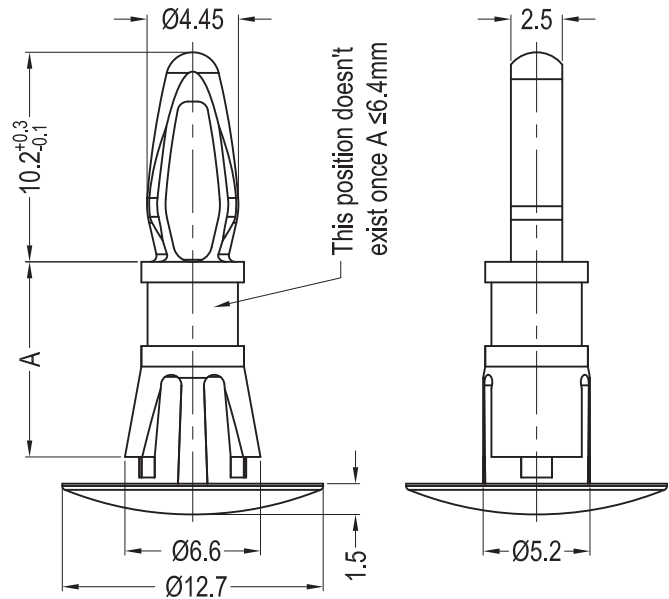
A

REVERSE LOCKING SPACER

Cupped Reverse Locking Circuit Board Support

GLCBSC14

GLCBSC14



Top Hole: 4.0±0.08mm
Panel Thickness: 1.6mm
Bottom Hole: 5.4±0.08mm
Panel Thickness: 1.2-2.0mm

Sizes in mm

P/N.	Article No.	Cross-Ref.	Material	Color	A	Packing Unit
42695	GLCBSC14-3-66	CRCBSRE-3-01	PA66 UL94V2	Natural	4.8	1000
42697	GLCBSC14-4-66	CRCBSRE-4-01	PA66 UL94V2	Natural	6.4	1000
42699	GLCBSC14-6-66	CRCBSRE-6-01	PA66 UL94V2	Natural	9.5	1000
42701	GLCBSC14-8-66	CRCBSRE-8-01	PA66 UL94V2	Natural	12.7	1000
42703	GLCBSC14-10-66	CRCBSRE-10-01	PA66 UL94V2	Natural	15.9	1000
42696	GLCBSC14-3-V0	CRCBSRE-3-19	PA66 UL94V0	Natural	4.8	1000
42698	GLCBSC14-4-V0	CRCBSRE-4-19	PA66 UL94V0	Natural	6.4	1000
42700	GLCBSC14-6-V0	CRCBSRE-6-19	PA66 UL94V0	Natural	9.5	1000
42702	GLCBSC14-8-V0	CRCBSRE-8-19	PA66 UL94V0	Natural	12.7	1000
42704	GLCBSC14-10-V0	CRCBSRE-10-19	PA66 UL94V0	Natural	15.9	1000

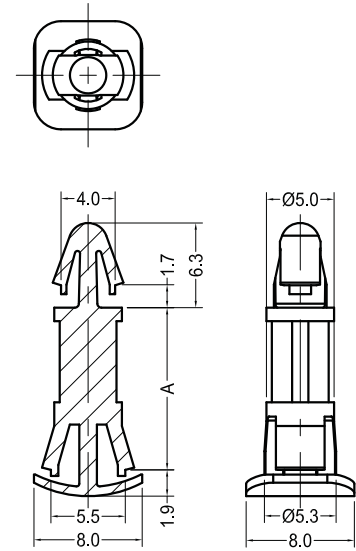
Material: PA66 UL94V2 (GMS-01); PA66 UL94V0 (GMS-02)

REVERSE LOCKING SPACER

Cupped Reverse Locking Circuit Board Support GRLCBSA



GRLCBSA



Top Hole: 4.0±0.08mm
Panel Thickness: 1.6mm
Bottom Hole: 5.5±0.08mm
Panel Thickness: 0.5-1.0mm

Sizes in mm

P/N.	Article No.	Cross-Ref.	Material	Color	A	Packing Unit
43616	GRLCBSA-5-01	RLCBSA-5-01	PA66 UL94V2	Natural	5.0	1000
43617	GRLCBSA-6-01	RLCBSA-6-01	PA66 UL94V2	Natural	6.0	1000
43618	GRLCBSA-8-01	RLCBSA-8-01	PA66 UL94V2	Natural	8.0	1000
43619	GRLCBSA-10-01	RLCBSA-10-01	PA66 UL94V2	Natural	10.0	1000
43620	GRLCBSA-12-01	RLCBSA-12-01	PA66 UL94V2	Natural	12.0	1000
43621	GRLCBSA-14-01	RLCBSA-14-01	PA66 UL94V2	Natural	14.0	1000
43649	GRLCBSA-5-19	RLCBSA-5-19	PA66 UL94V0	Natural	5.0	1000
43650	GRLCBSA-6-19	RLCBSA-6-19	PA66 UL94V0	Natural	6.0	1000
43651	GRLCBSA-8-19	RLCBSA-8-19	PA66 UL94V0	Natural	8.0	1000
43652	GRLCBSA-10-19	RLCBSA-10-19	PA66 UL94V0	Natural	10.0	1000
43653	GRLCBSA-12-19	RLCBSA-12-19	PA66 UL94V0	Natural	12.0	1000
43654	GRLCBSA-14-19	RLCBSA-14-19	PA66 UL94V0	Natural	14.0	1000

Material: PA66 UL94V2 (GMS-65); PA66 UL94V0 (GMS-49)



Locking Circuit Board Support Threaded GSCBS/8

A

GSCBS

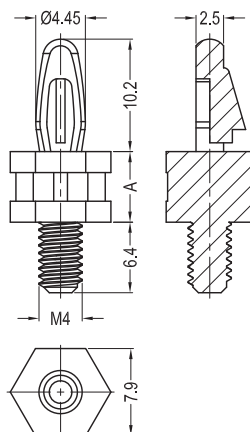


Fig.1

Top Hole: 4.0±0.08mm
Panel Thickness: 1.57mm

GSCBS8

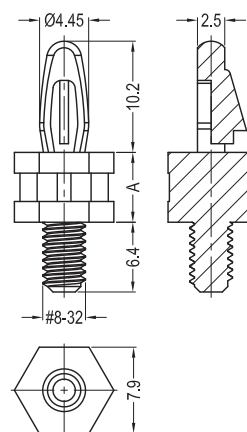


Fig.2

Top Hole: 4.0±0.08mm
Panel Thickness: 1.57mm

Sizes in mm

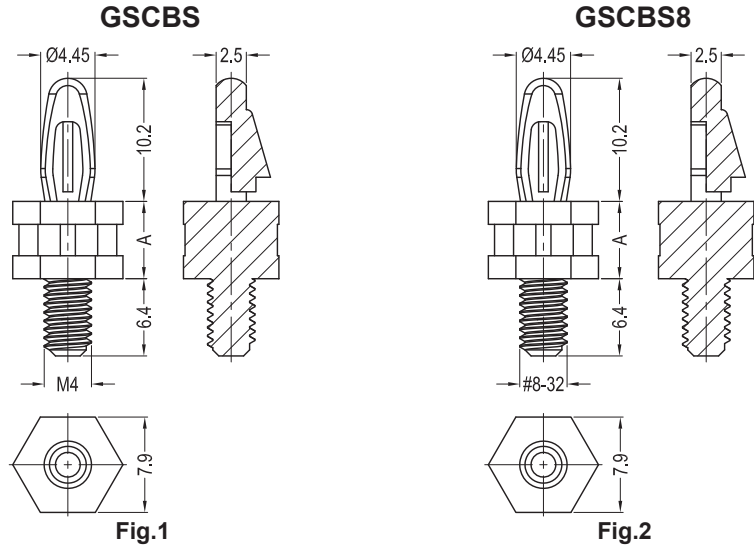


P/N.	Article No.	Cross-Ref.	Material	Color	A	FIG.	Packing Unit
40303	GSCBS-4-66	MSCBS-4-01	PA66 UL94V2	Natural	6.4	1	1000
40305	GSCBS-6-66	MSCBS-6-01	PA66 UL94V2	Natural	9.5	1	1000
40307	GSCBS-8-66	MSCBS-8-01	PA66 UL94V2	Natural	12.7	1	1000
40309	GSCBS-10-66	MSCBS-10-01	PA66 UL94V2	Natural	15.9	1	1000
40311	GSCBS-12-66	MSCBS-12-01	PA66 UL94V2	Natural	19.1	1	1000
42101	GSCBS-13-66	MSCBS-13-01	PA66 UL94V2	Natural	20.4	1	1000
40313	GSCBS-14-66	MSCBS-14-01	PA66 UL94V2	Natural	22.2	1	1000
40315	GSCBS-16-66	MSCBS-16-01	PA66 UL94V2	Natural	25.4	1	1000
40317	GSCBS-18-66	MSCBS-18-01	PA66 UL94V2	Natural	28.6	1	1000
40319	GSCBS-22.5-66	MSCBS-22.5-01	PA66 UL94V2	Natural	35.7	1	1000
41913	GSCBS-4-66B	MSCBS-4-01BK	PA66 UL94V2	Black	6.4	1	1000
41915	GSCBS-6-66B	MSCBS-6-01BK	PA66 UL94V2	Black	9.5	1	1000
41917	GSCBS-8-66B	MSCBS-8-01BK	PA66 UL94V2	Black	12.7	1	1000
41919	GSCBS-10-66B	MSCBS-10-01BK	PA66 UL94V2	Black	15.9	1	1000
41921	GSCBS-12-66B	MSCBS-12-01BK	PA66 UL94V2	Black	19.1	1	1000
41523	GSCBS-13-66B	MSCBS-13-01BK	PA66 UL94V2	Black	20.4	1	1000
41923	GSCBS-14-66B	MSCBS-14-01BK	PA66 UL94V2	Black	22.2	1	1000
41925	GSCBS-16-66B	MSCBS-16-01BK	PA66 UL94V2	Black	25.4	1	1000
41927	GSCBS-18-66B	MSCBS-18-01BK	PA66 UL94V2	Black	28.6	1	1000
41929	GSCBS-22.5-66B	MSCBS-22.5-01BK	PA66 UL94V2	Black	35.7	1	1000
40304	GSCBS-4-V0	MSCBS-4-19	PA66 UL94V0	Natural	6.4	1	1000
40306	GSCBS-6-V0	MSCBS-6-19	PA66 UL94V0	Natural	9.5	1	1000
40308	GSCBS-8-V0	MSCBS-8-19	PA66 UL94V0	Natural	12.7	1	1000
40310	GSCBS-10-V0	MSCBS-10-19	PA66 UL94V0	Natural	15.9	1	1000
40312	GSCBS-12-V0	MSCBS-12-19	PA66 UL94V0	Natural	19.1	1	1000
42102	GSCBS-13-V0	MSCBS-13-19	PA66 UL94V0	Natural	20.4	1	1000
40314	GSCBS-14-V0	MSCBS-14-19	PA66 UL94V0	Natural	22.2	1	1000

Material: PA66 UL94V2 (GMS-01); PA66 UL94V0 (GMS-02)

THREADED SPACER

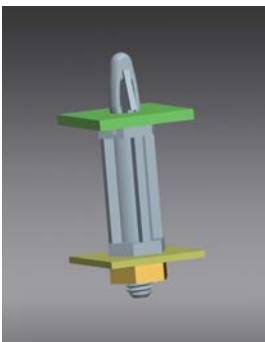
Locking Circuit Board Support Threaded GSCBS/8



Top Hole: 4.0±0.08mm
Panel Thickness: 1.57mm

Top Hole: 4.0±0.08mm
Panel Thickness: 1.57mm

Sizes in mm



P/N.	Article No.	Cross-Ref.	Material	Color	A	FIG.	Packing Unit
40316	GSCBS-16-V0	MSCBS-16-19	PA66 UL94V0	Natural	25.4	1	1000
40318	GSCBS-18-V0	MSCBS-18-19	PA66 UL94V0	Natural	28.6	1	1000
40320	GSCBS-22.5-V0	MSCBS-22.5-19	PA66 UL94V0	Natural	35.7	1	1000
41914	GSCBS-4-BV0	MSCBS-4-19BK	PA66 UL94V0	Black	6.4	1	1000
41916	GSCBS-6-BV0	MSCBS-6-19BK	PA66 UL94V0	Black	9.5	1	1000
41918	GSCBS-8-BV0	MSCBS-8-19BK	PA66 UL94V0	Black	12.7	1	1000
41920	GSCBS-10-BV0	MSCBS-10-19BK	PA66 UL94V0	Black	15.9	1	1000
41922	GSCBS-12-BV0	MSCBS-12-19BK	PA66 UL94V0	Black	19.1	1	1000
42725	GSCBS-13-BV0	MSCBS-13-19BK	PA66 UL94V0	Black	20.4	1	1000
41924	GSCBS-14-BV0	MSCBS-14-19BK	PA66 UL94V0	Black	22.2	1	1000
41926	GSCBS-16-BV0	MSCBS-16-19BK	PA66 UL94V0	Black	25.4	1	1000
41928	GSCBS-18-BV0	MSCBS-18-19BK	PA66 UL94V0	Black	28.6	1	1000
41930	GSCBS-22.5-BV0	MSCBS-22.5-19BK	PA66 UL94V0	Black	35.7	1	1000
40321	GSCBS8-4-66	SCBS-4-01	PA66 UL94V2	Natural	6.4	2	1000
40323	GSCBS8-6-66	SCBS-6-01	PA66 UL94V2	Natural	9.5	2	1000
40325	GSCBS8-8-66	SCBS-8-01	PA66 UL94V2	Natural	12.7	2	1000
40327	GSCBS8-10-66	SCBS-10-01	PA66 UL94V2	Natural	15.9	2	1000
40329	GSCBS8-12-66	SCBS-12-01	PA66 UL94V2	Natural	19.1	2	1000
42550	GSCBS8-13-66	SCBS-13-01	PA66 UL94V2	Natural	20.4	2	1000
40331	GSCBS8-14-66	SCBS-14-01	PA66 UL94V2	Natural	22.2	2	1000
40333	GSCBS8-16-66	SCBS-16-01	PA66 UL94V2	Natural	25.4	2	1000
40335	GSCBS8-18-66	SCBS-18-01	PA66 UL94V2	Natural	28.6	2	1000
40337	GSCBS8-22.5-66	SCBS-22.5-01	PA66 UL94V2	Natural	35.7	2	1000
41931	GSCBS8-4-66B	SCBS-4-01BK	PA66 UL94V2	Black	6.4	2	1000
41933	GSCBS8-6-66B	SCBS-6-01BK	PA66 UL94V2	Black	9.5	2	1000
41935	GSCBS8-8-66B	SCBS-8-01BK	PA66 UL94V2	Black	12.7	2	1000
41937	GSCBS8-10-66B	SCBS-10-01BK	PA66 UL94V2	Black	15.9	2	1000

Material: PA66 UL94V2 (GMS-01); PA66 UL94V0 (GMS-02)



sales@sucatec.com



www.sucatec.com

A

Locking Circuit Board Support Threaded GSCBS/8

A

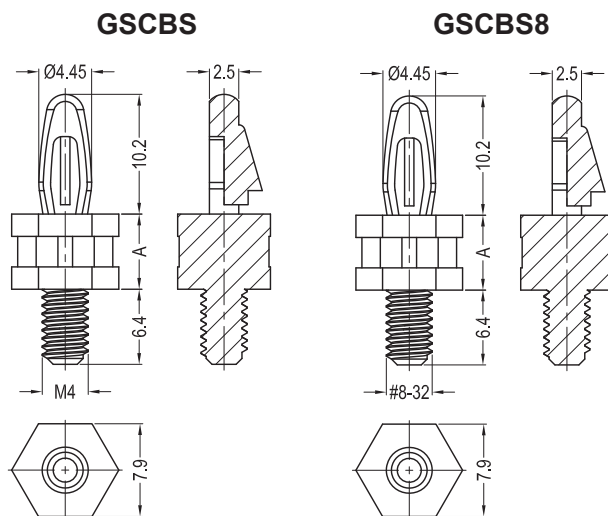


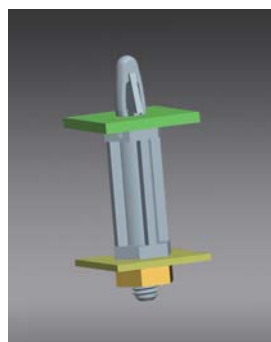
Fig.1

Fig.2

Top Hole: 4.0±0.08mm
Panel Thickness: 1.57mm

Top Hole: 4.0±0.08mm
Panel Thickness: 1.57mm

Sizes in mm



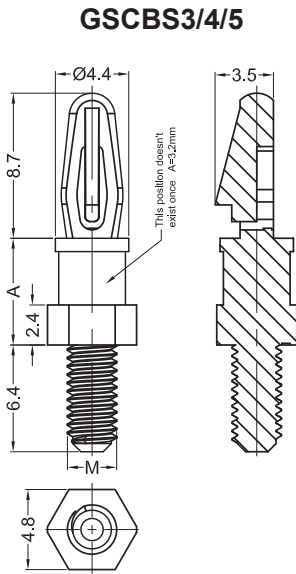
P/N.	Article No.	Cross-Ref.	Material	Color	A	FIG.	Packing Unit
41939	GSCBS8-12-66B	SCBS-12-01BK	PA66 UL94V2	Black	19.1	2	1000
42726	GSCBS8-13-66B	SCBS-13-01BK	PA66 UL94V2	Black	20.4	2	1000
41941	GSCBS8-14-66B	SCBS-14-01BK	PA66 UL94V2	Black	22.2	2	1000
41943	GSCBS8-16-66B	SCBS-16-01BK	PA66 UL94V2	Black	25.4	2	1000
41945	GSCBS8-18-66B	SCBS-18-01BK	PA66 UL94V2	Black	28.6	2	1000
42728	GSCBS8-22.5-66B	SCBS-22.5-01BK	PA66 UL94V2	Black	35.7	2	1000
40322	GSCBS8-4-V0	SCBS-4-19	PA66 UL94V0	Natural	6.4	2	1000
40324	GSCBS8-6-V0	SCBS-6-19	PA66 UL94V0	Natural	9.5	2	1000
40326	GSCBS8-8-V0	SCBS-8-19	PA66 UL94V0	Natural	12.7	2	1000
40328	GSCBS8-10-V0	SCBS-10-19	PA66 UL94V0	Natural	15.9	2	1000
40330	GSCBS8-12-V0	SCBS-12-19	PA66 UL94V0	Natural	19.1	2	1000
42551	GSCBS8-13-V0	SCBS-13-19	PA66 UL94V0	Natural	20.4	2	1000
40332	GSCBS8-14-V0	SCBS-14-19	PA66 UL94V0	Natural	22.2	2	1000
40334	GSCBS8-16-V0	SCBS-16-19	PA66 UL94V0	Natural	25.4	2	1000
40336	GSCBS8-18-V0	SCBS-18-19	PA66 UL94V0	Natural	28.6	2	1000
40338	GSCBS8-22.5-V0	SCBS-22.5-19	PA66 UL94V0	Natural	35.7	2	1000
41932	GSCBS8-4-BV0	SCBS-4-19BK	PA66 UL94V0	Black	6.4	2	1000
41934	GSCBS8-6-BV0	SCBS-6-19BK	PA66 UL94V0	Black	9.5	2	1000
41936	GSCBS8-8-BV0	SCBS-8-19BK	PA66 UL94V0	Black	12.7	2	1000
41938	GSCBS8-10-BV0	SCBS-10-19BK	PA66 UL94V0	Black	15.9	2	1000
41940	GSCBS8-12-BV0	SCBS-12-19BK	PA66 UL94V0	Black	19.1	2	1000
42727	GSCBS8-13-BV0	SCBS-13-19BK	PA66 UL94V0	Black	20.4	2	1000
41942	GSCBS8-14-BV0	SCBS-14-19BK	PA66 UL94V0	Black	22.2	2	1000
41944	GSCBS8-16-BV0	SCBS-16-19BK	PA66 UL94V0	Black	25.4	2	1000
41946	GSCBS8-18-BV0	SCBS-18-19BK	PA66 UL94V0	Black	28.6	2	1000
42729	GSCBS8-22.5-BV0	SCBS-22.5-19BK	PA66 UL94V0	Black	35.7	2	1000

Material: PA66 UL94V2 (GMS-01); PA66 UL94V0 (GMS-02)

THREADED SPACER

Locking Circuit Board Support Threaded GSCBS3/4/5

A



Top Hole: 3.18±0.05mm
Panel Thickness: 1.57mm



Sizes in mm

41156	GSCBS3-2-66	MSCBSM-M3-2-01	PA66 UL94V2	Natural	3.2	M3	1000
41157	GSCBS3-3-66	MSCBSM-M3-3-01	PA66 UL94V2	Natural	4.8	M3	1000
41158	GSCBS3-4-66	MSCBSM-M3-4-01	PA66 UL94V2	Natural	6.4	M3	1000
41159	GSCBS3-5-66	MSCBSM-M3-5-01	PA66 UL94V2	Natural	7.9	M3	1000
41160	GSCBS3-6-66	MSCBSM-M3-6-01	PA66 UL94V2	Natural	9.5	M3	1000
41161	GSCBS3-7-66	MSCBSM-M3-7-01	PA66 UL94V2	Natural	11.1	M3	1000
41162	GSCBS3-8-66	MSCBSM-M3-8-01	PA66 UL94V2	Natural	12.7	M3	1000
41163	GSCBS3-9-66	MSCBSM-M3-9-01	PA66 UL94V2	Natural	14.3	M3	1000
41164	GSCBS3-10-66	MSCBSM-M3-10-01	PA66 UL94V2	Natural	15.9	M3	1000
43595	GSCBS3-12-66	-	PA66 UL94V2	Natural	19.1	M3	1000
41663	GSCBS3-2-66B	MSCBSM-M3-2-01BK	PA66 UL94V2	Black	3.2	M3	1000
41664	GSCBS3-3-66B	MSCBSM-M3-3-01BK	PA66 UL94V2	Black	4.8	M3	1000
41665	GSCBS3-4-66B	MSCBSM-M3-4-01BK	PA66 UL94V2	Black	6.4	M3	1000
41666	GSCBS3-5-66B	MSCBSM-M3-5-01BK	PA66 UL94V2	Black	7.9	M3	1000
41667	GSCBS3-6-66B	MSCBSM-M3-6-01BK	PA66 UL94V2	Black	9.5	M3	1000
41668	GSCBS3-7-66B	MSCBSM-M3-7-01BK	PA66 UL94V2	Black	11.1	M3	1000
41669	GSCBS3-8-66B	MSCBSM-M3-8-01BK	PA66 UL94V2	Black	12.7	M3	1000
41670	GSCBS3-9-66B	MSCBSM-M3-9-01BK	PA66 UL94V2	Black	14.3	M3	1000
41671	GSCBS3-10-66B	MSCBSM-M3-10-01BK	PA66 UL94V2	Black	15.9	M3	1000
43597	GSCBS3-12-66B	-	PA66 UL94V2	Black	19.1	M3	1000
41672	GSCBS3-2-V0	MSCBSM-M3-2-19	PA66 UL94V0	Natural	3.2	M3	1000
41673	GSCBS3-3-V0	MSCBSM-M3-3-19	PA66 UL94V0	Natural	4.8	M3	1000
41674	GSCBS3-4-V0	MSCBSM-M3-4-19	PA66 UL94V0	Natural	6.4	M3	1000
41675	GSCBS3-5-V0	MSCBSM-M3-5-19	PA66 UL94V0	Natural	7.9	M3	1000
41676	GSCBS3-6-V0	MSCBSM-M3-6-19	PA66 UL94V0	Natural	9.5	M3	1000
41677	GSCBS3-7-V0	MSCBSM-M3-7-19	PA66 UL94V0	Natural	11.1	M3	1000
41678	GSCBS3-8-V0	MSCBSM-M3-8-19	PA66 UL94V0	Natural	12.7	M3	1000
41679	GSCBS3-9-V0	MSCBSM-M3-9-19	PA66 UL94V0	Natural	14.3	M3	1000
41680	GSCBS3-10-V0	MSCBSM-M3-10-19	PA66 UL94V0	Natural	15.9	M3	1000
43596	GSCBS3-12-V0	-	PA66 UL94V0	Natural	19.1	M3	1000
41681	GSCBS3-2-BV0	MSCBSM-M3-2-19BK	PA66 UL94V0	Black	3.2	M3	1000
41682	GSCBS3-3-BV0	MSCBSM-M3-3-19BK	PA66 UL94V0	Black	4.8	M3	1000
41683	GSCBS3-4-BV0	MSCBSM-M3-4-19BK	PA66 UL94V0	Black	6.4	M3	1000
41684	GSCBS3-5-BV0	MSCBSM-M3-5-19BK	PA66 UL94V0	Black	7.9	M3	1000
41685	GSCBS3-6-BV0	MSCBSM-M3-6-19BK	PA66 UL94V0	Black	9.5	M3	1000
41686	GSCBS3-7-BV0	MSCBSM-M3-7-19BK	PA66 UL94V0	Black	11.1	M3	1000
41687	GSCBS3-8-BV0	MSCBSM-M3-8-19BK	PA66 UL94V0	Black	12.7	M3	1000
41688	GSCBS3-9-BV0	MSCBSM-M3-9-19BK	PA66 UL94V0	Black	14.3	M3	1000
41689	GSCBS3-10-BV0	MSCBSM-M3-10-19BK	PA66 UL94V0	Black	15.9	M3	1000
43598	GSCBS3-12-BV0	-	PA66 UL94V0	Black	19.1	M3	1000

Material: PA66 UL94V2 (GMS-01); PA66 UL94V0 (GMS-02)



sales@sucatec.com



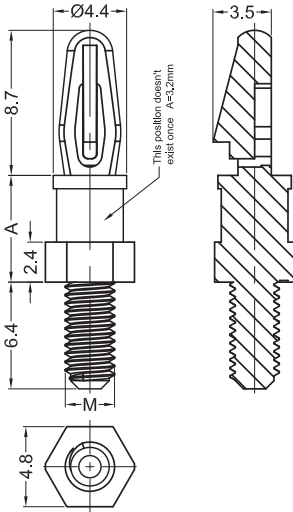
www.sucatec.com

THREADED SPACER

Locking Circuit Board Support Threaded GSCBS3/4/5

A

GSCBS3/4/5



Top Hole: 3.18±0.05mm
Panel Thickness: 1.57mm



Sizes in mm

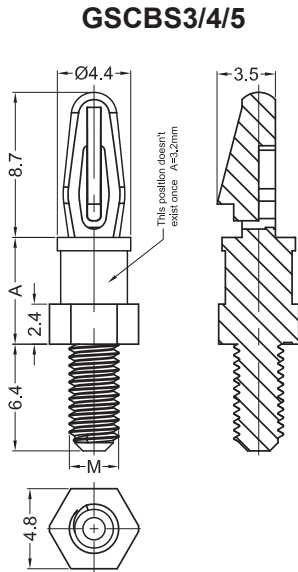
P/N.	Article No.	Cross-Ref.	Material	Color	A	Thread M	Packing Unit
41165	GSCBS4-2-66	MSCBSM-M4-2-01	PA66 UL94V2	Natural	3.2	M4	1000
41166	GSCBS4-3-66	MSCBSM-M4-3-01	PA66 UL94V2	Natural	4.8	M4	1000
41167	GSCBS4-4-66	MSCBSM-M4-4-01	PA66 UL94V2	Natural	6.4	M4	1000
41168	GSCBS4-5-66	MSCBSM-M4-5-01	PA66 UL94V2	Natural	7.9	M4	1000
41169	GSCBS4-6-66	MSCBSM-M4-6-01	PA66 UL94V2	Natural	9.5	M4	1000
41170	GSCBS4-7-66	MSCBSM-M4-7-01	PA66 UL94V2	Natural	11.1	M4	1000
41171	GSCBS4-8-66	MSCBSM-M4-8-01	PA66 UL94V2	Natural	12.7	M4	1000
41172	GSCBS4-9-66	MSCBSM-M4-9-01	PA66 UL94V2	Natural	14.3	M4	1000
41173	GSCBS4-10-66	MSCBSM-M4-10-01	PA66 UL94V2	Natural	15.9	M4	1000
43701	GSCBS4-12-66	-	PA66 UL94V2	Natural	19.1	M4	1000
41708	GSCBS4-2-66B	MSCBSM-M4-2-01BK	PA66 UL94V2	Black	3.2	M4	1000
41709	GSCBS4-3-66B	MSCBSM-M4-3-01BK	PA66 UL94V2	Black	4.8	M4	1000
41710	GSCBS4-4-66B	MSCBSM-M4-4-01BK	PA66 UL94V2	Black	6.4	M4	1000
41711	GSCBS4-5-66B	MSCBSM-M4-5-01BK	PA66 UL94V2	Black	7.9	M4	1000
41712	GSCBS4-6-66B	MSCBSM-M4-6-01BK	PA66 UL94V2	Black	9.5	M4	1000
41713	GSCBS4-7-66B	MSCBSM-M4-7-01BK	PA66 UL94V2	Black	11.1	M4	1000
41714	GSCBS4-8-66B	MSCBSM-M4-8-01BK	PA66 UL94V2	Black	12.7	M4	1000
41715	GSCBS4-9-66B	MSCBSM-M4-9-01BK	PA66 UL94V2	Black	14.3	M4	1000
41716	GSCBS4-10-66B	MSCBSM-M4-10-01BK	PA66 UL94V2	Black	15.9	M4	1000
43703	GSCBS4-12-66B	-	PA66 UL94V2	Black	19.1	M4	1000
41690	GSCBS4-2-V0	MSCBSM-M4-2-19	PA66 UL94V0	Natural	3.2	M4	1000
41691	GSCBS4-3-V0	MSCBSM-M4-3-19	PA66 UL94V0	Natural	4.8	M4	1000
41692	GSCBS4-4-V0	MSCBSM-M4-4-19	PA66 UL94V0	Natural	6.4	M4	1000
41693	GSCBS4-5-V0	MSCBSM-M4-5-19	PA66 UL94V0	Natural	7.9	M4	1000
41694	GSCBS4-6-V0	MSCBSM-M4-6-19	PA66 UL94V0	Natural	9.5	M4	1000
41695	GSCBS4-7-V0	MSCBSM-M4-7-19	PA66 UL94V0	Natural	11.1	M4	1000
41696	GSCBS4-8-V0	MSCBSM-M4-8-19	PA66 UL94V0	Natural	12.7	M4	1000
41697	GSCBS4-9-V0	MSCBSM-M4-9-19	PA66 UL94V0	Natural	14.3	M4	1000
41698	GSCBS4-10-V0	MSCBSM-M4-10-19	PA66 UL94V0	Natural	15.9	M4	1000
43702	GSCBS4-12-V0	-	PA66 UL94V0	Natural	19.1	M4	1000
41726	GSCBS4-2-BV0	MSCBSM-M4-2-19BK	PA66 UL94V0	Black	3.2	M4	1000
41727	GSCBS4-3-BV0	MSCBSM-M4-3-19BK	PA66 UL94V0	Black	4.8	M4	1000
41728	GSCBS4-4-BV0	MSCBSM-M4-4-19BK	PA66 UL94V0	Black	6.4	M4	1000
41729	GSCBS4-5-BV0	MSCBSM-M4-5-19BK	PA66 UL94V0	Black	7.9	M4	1000
41730	GSCBS4-6-BV0	MSCBSM-M4-6-19BK	PA66 UL94V0	Black	9.5	M4	1000
41731	GSCBS4-7-BV0	MSCBSM-M4-7-19BK	PA66 UL94V0	Black	11.1	M4	1000
41732	GSCBS4-8-BV0	MSCBSM-M4-8-19BK	PA66 UL94V0	Black	12.7	M4	1000
41733	GSCBS4-9-BV0	MSCBSM-M4-9-19BK	PA66 UL94V0	Black	14.3	M4	1000
41734	GSCBS4-10-BV0	MSCBSM-M4-10-19BK	PA66 UL94V0	Black	15.9	M4	1000
43704	GSCBS4-12-BV0	-	PA66 UL94V0	Black	19.1	M4	1000

Material: PA66 UL94V2 (GMS-01); PA66 UL94V0 (GMS-02)

THREADED SPACER

Locking Circuit Board Support Threaded GSCBS3/4/5

A



Top Hole: 3.18±0.05mm
Panel Thickness: 1.57mm



Sizes in mm

P/N.	Article No.	Cross-Ref.	Material	Color	A	Thread M	Packing Unit
41174	GSCBS5-2-66	SCBSM-632-2-01	PA66 UL94V2	Natural	3.2	#6-32	1000
41175	GSCBS5-3-66	SCBSM-632-3-01	PA66 UL94V2	Natural	4.8	#6-32	1000
41176	GSCBS5-4-66	SCBSM-632-4-01	PA66 UL94V2	Natural	6.4	#6-32	1000
41177	GSCBS5-5-66	SCBSM-632-5-01	PA66 UL94V2	Natural	7.9	#6-32	1000
41178	GSCBS5-6-66	SCBSM-632-6-01	PA66 UL94V2	Natural	9.5	#6-32	1000
41179	GSCBS5-7-66	SCBSM-632-7-01	PA66 UL94V2	Natural	11.1	#6-32	1000
41180	GSCBS5-8-66	SCBSM-632-8-01	PA66 UL94V2	Natural	12.7	#6-32	1000
41181	GSCBS5-9-66	SCBSM-632-9-01	PA66 UL94V2	Natural	14.3	#6-32	1000
41182	GSCBS5-10-66	SCBSM-632-10-01	PA66 UL94V2	Natural	15.9	#6-32	1000
43713	GSCBS5-12-66	-	PA66 UL94V2	Natural	19.1	#6-32	1000
41717	GSCBS5-2-66B	SCBSM-632-2-01BK	PA66 UL94V2	Black	3.2	#6-32	1000
41718	GSCBS5-3-66B	SCBSM-632-3-01BK	PA66 UL94V2	Black	4.8	#6-32	1000
41719	GSCBS5-4-66B	SCBSM-632-4-01BK	PA66 UL94V2	Black	6.4	#6-32	1000
41720	GSCBS5-5-66B	SCBSM-632-5-01BK	PA66 UL94V2	Black	7.9	#6-32	1000
41721	GSCBS5-6-66B	SCBSM-632-6-01BK	PA66 UL94V2	Black	9.5	#6-32	1000
41722	GSCBS5-7-66B	SCBSM-632-7-01BK	PA66 UL94V2	Black	11.1	#6-32	1000
41723	GSCBS5-8-66B	SCBSM-632-8-01BK	PA66 UL94V2	Black	12.7	#6-32	1000
41724	GSCBS5-9-66B	SCBSM-632-9-01BK	PA66 UL94V2	Black	14.3	#6-32	1000
41725	GSCBS5-10-66B	SCBSM-632-10-01BK	PA66 UL94V2	Black	15.9	#6-32	1000
43715	GSCBS5-12-66B	-	PA66 UL94V2	Black	19.1	#6-32	1000
41699	GSCBS5-2-V0	SCBSM-632-2-19	PA66 UL94V0	Natural	3.2	#6-32	1000
41700	GSCBS5-3-V0	SCBSM-632-3-19	PA66 UL94V0	Natural	4.8	#6-32	1000
41701	GSCBS5-4-V0	SCBSM-632-4-19	PA66 UL94V0	Natural	6.4	#6-32	1000
41702	GSCBS5-5-V0	SCBSM-632-5-19	PA66 UL94V0	Natural	7.9	#6-32	1000
41703	GSCBS5-6-V0	SCBSM-632-6-19	PA66 UL94V0	Natural	9.5	#6-32	1000
41704	GSCBS5-7-V0	SCBSM-632-7-19	PA66 UL94V0	Natural	11.1	#6-32	1000
41705	GSCBS5-8-V0	SCBSM-632-8-19	PA66 UL94V0	Natural	12.7	#6-32	1000
41706	GSCBS5-9-V0	SCBSM-632-9-19	PA66 UL94V0	Natural	14.3	#6-32	1000
41707	GSCBS5-10-V0	SCBSM-632-10-19	PA66 UL94V0	Natural	15.9	#6-32	1000
43714	GSCBS5-12-V0	-	PA66 UL94V0	Natural	19.1	#6-32	1000
41735	GSCBS5-2-BV0	SCBSM-632-2-19BK	PA66 UL94V0	Black	3.2	#6-32	1000
41736	GSCBS5-3-BV0	SCBSM-632-3-19BK	PA66 UL94V0	Black	4.8	#6-32	1000
41737	GSCBS5-4-BV0	SCBSM-632-4-19BK	PA66 UL94V0	Black	6.4	#6-32	1000
41738	GSCBS5-5-BV0	SCBSM-632-5-19BK	PA66 UL94V0	Black	7.9	#6-32	1000
41739	GSCBS5-6-BV0	SCBSM-632-6-19BK	PA66 UL94V0	Black	9.5	#6-32	1000
41740	GSCBS5-7-BV0	SCBSM-632-7-19BK	PA66 UL94V0	Black	11.1	#6-32	1000
41741	GSCBS5-8-BV0	SCBSM-632-8-19BK	PA66 UL94V0	Black	12.7	#6-32	1000
41742	GSCBS5-9-BV0	SCBSM-632-9-19BK	PA66 UL94V0	Black	14.3	#6-32	1000
41743	GSCBS5-10-BV0	SCBSM-632-10-19BK	PA66 UL94V0	Black	15.9	#6-32	1000
43716	GSCBS5-12-BV0	-	PA66 UL94V0	Black	19.1	#6-32	1000

Material: PA66 UL94V2 (GMS-01); PA66 UL94V0 (GMS-02)



sales@sucatec.com



www.sucatec.com

THREADED SPACER

Locking Circuit Board Support Threaded GSCBS6/7/9

A



Sizes in mm

GSCBS6/7

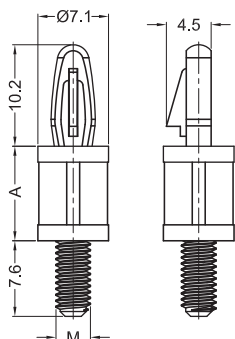


Fig.1

Top Hole: 4.0±0.08mm
Panel Thickness: 1.57mm

GSCBS9

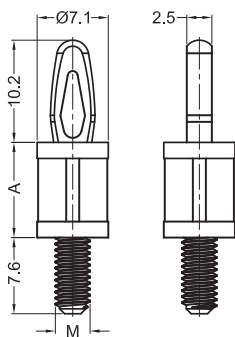


Fig.2

Top Hole: 4.0±0.08mm
Panel Thickness: 1.57mm

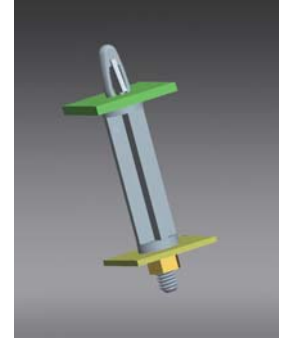
P/N.	Article No.	Cross-Ref.	Material	Color	A	Thread M	FIG.	Packing Unit
41149	GSCBS6-4-66	LCBS-TM-4-01	PA66 UL94V2	Natural	6.4	#6-32	1	1000
41150	GSCBS6-6-66	LCBS-TM-6-01	PA66 UL94V2	Natural	9.5	#6-32	1	1000
41151	GSCBS6-8-66	LCBS-TM-8-01	PA66 UL94V2	Natural	12.7	#6-32	1	1000
41152	GSCBS6-10-66	LCBS-TM-10-01	PA66 UL94V2	Natural	15.9	#6-32	1	1000
41153	GSCBS6-12-66	LCBS-TM-12-01	PA66 UL94V2	Natural	19.1	#6-32	1	1000
41154	GSCBS6-14-66	LCBS-TM-14-01	PA66 UL94V2	Natural	22.2	#6-32	1	1000
41155	GSCBS6-16-66	LCBS-TM-16-01	PA66 UL94V2	Natural	25.4	#6-32	1	1000
41642	GSCBS6-4-66B	LCBS-TM-4-01BK	PA66 UL94V2	Black	6.4	#6-32	1	1000
41643	GSCBS6-6-66B	LCBS-TM-6-01BK	PA66 UL94V2	Black	9.5	#6-32	1	1000
41644	GSCBS6-8-66B	LCBS-TM-8-01BK	PA66 UL94V2	Black	12.7	#6-32	1	1000
41645	GSCBS6-10-66B	LCBS-TM-10-01BK	PA66 UL94V2	Black	15.9	#6-32	1	1000
41646	GSCBS6-12-66B	LCBS-TM-12-01BK	PA66 UL94V2	Black	19.1	#6-32	1	1000
41647	GSCBS6-14-66B	LCBS-TM-14-01BK	PA66 UL94V2	Black	22.2	#6-32	1	1000
41648	GSCBS6-16-66B	LCBS-TM-16-01BK	PA66 UL94V2	Black	25.4	#6-32	1	1000
41649	GSCBS6-4-V0	LCBS-TM-4-19	PA66 UL94V0	Natural	6.4	#6-32	1	1000
41650	GSCBS6-6-V0	LCBS-TM-6-19	PA66 UL94V0	Natural	9.5	#6-32	1	1000
41651	GSCBS6-8-V0	LCBS-TM-8-19	PA66 UL94V0	Natural	12.7	#6-32	1	1000
41652	GSCBS6-10-V0	LCBS-TM-10-19	PA66 UL94V0	Natural	15.9	#6-32	1	1000
41653	GSCBS6-12-V0	LCBS-TM-12-19	PA66 UL94V0	Natural	19.1	#6-32	1	1000
41654	GSCBS6-14-V0	LCBS-TM-14-19	PA66 UL94V0	Natural	22.2	#6-32	1	1000
41655	GSCBS6-16-V0	LCBS-TM-16-19	PA66 UL94V0	Natural	25.4	#6-32	1	1000
41656	GSCBS6-4-BV0	LCBS-TM-4-19BK	PA66 UL94V0	Black	6.4	#6-32	1	1000
41657	GSCBS6-6-BV0	LCBS-TM-6-19BK	PA66 UL94V0	Black	9.5	#6-32	1	1000
41658	GSCBS6-8-BV0	LCBS-TM-8-19BK	PA66 UL94V0	Black	12.7	#6-32	1	1000
41659	GSCBS6-10-BV0	LCBS-TM-10-19BK	PA66 UL94V0	Black	15.9	#6-32	1	1000
41660	GSCBS6-12-BV0	LCBS-TM-12-19BK	PA66 UL94V0	Black	19.1	#6-32	1	1000
41661	GSCBS6-14-BV0	LCBS-TM-14-19BK	PA66 UL94V0	Black	22.2	#6-32	1	1000
41662	GSCBS6-16-BV0	LCBS-TM-16-19BK	PA66 UL94V0	Black	25.4	#6-32	1	1000
41183	GSCBS7-4-66	LCBS-TM-M4-4-01	PA66 UL94V2	Natural	6.4	M4	1	1000
41184	GSCBS7-6-66	LCBS-TM-M4-6-01	PA66 UL94V2	Natural	9.5	M4	1	1000
41185	GSCBS7-8-66	LCBS-TM-M4-8-01	PA66 UL94V2	Natural	12.7	M4	1	1000
41186	GSCBS7-10-66	LCBS-TM-M4-10-01	PA66 UL94V2	Natural	15.9	M4	1	1000
41187	GSCBS7-12-66	LCBS-TM-M4-12-01	PA66 UL94V2	Natural	19.1	M4	1	1000
41188	GSCBS7-14-66	LCBS-TM-M4-14-01	PA66 UL94V2	Natural	22.2	M4	1	1000
41189	GSCBS7-16-66	LCBS-TM-M4-16-01	PA66 UL94V2	Natural	25.4	M4	1	1000
41744	GSCBS7-4-66B	LCBS-TM-M4-4-01BK	PA66 UL94V2	Black	6.4	M4	1	1000
41745	GSCBS7-6-66B	LCBS-TM-M4-6-01BK	PA66 UL94V2	Black	9.5	M4	1	1000
41746	GSCBS7-8-66B	LCBS-TM-M4-8-01BK	PA66 UL94V2	Black	12.7	M4	1	1000
41747	GSCBS7-10-66B	LCBS-TM-M4-10-01BK	PA66 UL94V2	Black	15.9	M4	1	1000
41748	GSCBS7-12-66B	LCBS-TM-M4-12-01BK	PA66 UL94V2	Black	19.1	M4	1	1000
41749	GSCBS7-14-66B	LCBS-TM-M4-14-01BK	PA66 UL94V2	Black	22.2	M4	1	1000
41750	GSCBS7-16-66B	LCBS-TM-M4-16-01BK	PA66 UL94V2	Black	25.4	M4	1	1000

Material: PA66 UL94V2 (GMS-01); PA66 UL94V0 (GMS-02)



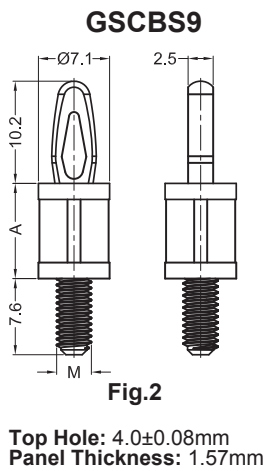
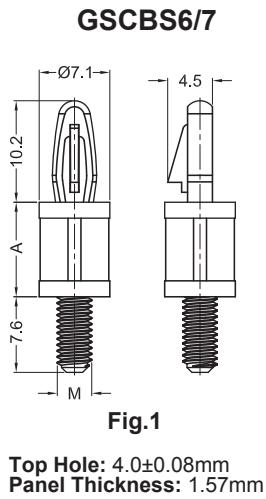
THREADED SPACER

Locking Circuit Board Support Threaded GSCBS6/7/9



A

Sizes in mm



P/N.	Article No.	Cross-Ref.	Material	Color	A	Thread M	FIG.	Packing Unit
41751	GSCBS7-4-V0	LCBS-TM-M4-4-19	PA66 UL94V0	Natural	6.4	M4	1	1000
41752	GSCBS7-6-V0	LCBS-TM-M4-6-19	PA66 UL94V0	Natural	9.5	M4	1	1000
41753	GSCBS7-8-V0	LCBS-TM-M4-8-19	PA66 UL94V0	Natural	12.7	M4	1	1000
41754	GSCBS7-10-V0	LCBS-TM-M4-10-19	PA66 UL94V0	Natural	15.9	M4	1	1000
41755	GSCBS7-12-V0	LCBS-TM-M4-12-19	PA66 UL94V0	Natural	19.1	M4	1	1000
41756	GSCBS7-14-V0	LCBS-TM-M4-14-19	PA66 UL94V0	Natural	22.2	M4	1	1000
41757	GSCBS7-16-V0	LCBS-TM-M4-16-19	PA66 UL94V0	Natural	25.4	M4	1	1000
41758	GSCBS7-4-BV0	LCBS-TM-M4-4-19BK	PA66 UL94V0	Black	6.4	M4	1	1000
41759	GSCBS7-6-BV0	LCBS-TM-M4-6-19BK	PA66 UL94V0	Black	9.5	M4	1	1000
41760	GSCBS7-8-BV0	LCBS-TM-M4-8-19BK	PA66 UL94V0	Black	12.7	M4	1	1000
41761	GSCBS7-10-BV0	LCBS-TM-M4-10-19BK	PA66 UL94V0	Black	15.9	M4	1	1000
41762	GSCBS7-12-BV0	LCBS-TM-M4-12-19BK	PA66 UL94V0	Black	19.1	M4	1	1000
41763	GSCBS7-14-BV0	LCBS-TM-M4-14-19BK	PA66 UL94V0	Black	22.2	M4	1	1000
41764	GSCBS7-16-BV0	LCBS-TM-M4-16-19BK	PA66 UL94V0	Black	25.4	M4	1	1000
43666	GSCBS9-4-66	CBS-TM-4-01	PA66 UL94V2	Natural	6.4	#6-32	2	1000
43665	GSCBS9-6-66	CBS-TM-6-01	PA66 UL94V2	Natural	9.5	#6-32	2	1000
43664	GSCBS9-8-66	CBS-TM-8-01	PA66 UL94V2	Natural	12.7	#6-32	2	1000
43667	GSCBS9-10-66	CBS-TM-10-01	PA66 UL94V2	Natural	15.9	#6-32	2	1000
43668	GSCBS9-12-66	CBS-TM-12-01	PA66 UL94V2	Natural	19.1	#6-32	2	1000
43669	GSCBS9-14-66	CBS-TM-14-01	PA66 UL94V2	Natural	22.2	#6-32	2	1000
43670	GSCBS9-16-66	CBS-TM-16-01	PA66 UL94V2	Natural	25.4	#6-32	2	1000
43688	GSCBS9-4-66B	CBS-TM-4-01BK	PA66 UL94V2	Black	6.4	#6-32	2	1000
43687	GSCBS9-6-66B	CBS-TM-6-01BK	PA66 UL94V2	Black	9.5	#6-32	2	1000
43686	GSCBS9-8-66B	CBS-TM-8-01BK	PA66 UL94V2	Black	12.7	#6-32	2	1000
43689	GSCBS9-10-66B	CBS-TM-10-01BK	PA66 UL94V2	Black	15.9	#6-32	2	1000
43690	GSCBS9-12-66B	CBS-TM-12-01BK	PA66 UL94V2	Black	19.1	#6-32	2	1000
43691	GSCBS9-14-66B	CBS-TM-14-01BK	PA66 UL94V2	Black	22.2	#6-32	2	1000
43692	GSCBS9-16-66B	CBS-TM-16-01BK	PA66 UL94V2	Black	25.4	#6-32	2	1000
43671	GSCBS9-4-V0	CBS-TM-4-19	PA66 UL94V0	Natural	6.4	#6-32	2	1000
43672	GSCBS9-6-V0	CBS-TM-6-19	PA66 UL94V0	Natural	9.5	#6-32	2	1000
43673	GSCBS9-8-V0	CBS-TM-8-19	PA66 UL94V0	Natural	12.7	#6-32	2	1000
43674	GSCBS9-10-V0	CBS-TM-10-19	PA66 UL94V0	Natural	15.9	#6-32	2	1000
43675	GSCBS9-12-V0	CBS-TM-12-19	PA66 UL94V0	Natural	19.1	#6-32	2	1000
43676	GSCBS9-14-V0	CBS-TM-14-19	PA66 UL94V0	Natural	22.2	#6-32	2	1000
43677	GSCBS9-16-V0	CBS-TM-16-19	PA66 UL94V0	Natural	25.4	#6-32	2	1000
43693	GSCBS9-4-BV0	CBS-TM-4-19BK	PA66 UL94V0	Black	6.4	#6-32	2	1000
43694	GSCBS9-6-BV0	CBS-TM-6-19BK	PA66 UL94V0	Black	9.5	#6-32	2	1000
43695	GSCBS9-8-BV0	CBS-TM-8-19BK	PA66 UL94V0	Black	12.7	#6-32	2	1000
43696	GSCBS9-10-BV0	CBS-TM-10-19BK	PA66 UL94V0	Black	15.9	#6-32	2	1000
43697	GSCBS9-12-BV0	CBS-TM-12-19BK	PA66 UL94V0	Black	19.1	#6-32	2	1000
43698	GSCBS9-14-BV0	CBS-TM-14-19BK	PA66 UL94V0	Black	22.2	#6-32	2	1000
43699	GSCBS9-16-BV0	CBS-TM-16-19BK	PA66 UL94V0	Black	25.4	#6-32	2	1000

Material: PA66 UL94V2 (GMS-01); PA66 UL94V0 (GMS-02)



sales@sucatec.com

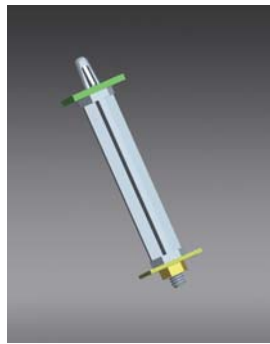


www.sucatec.com

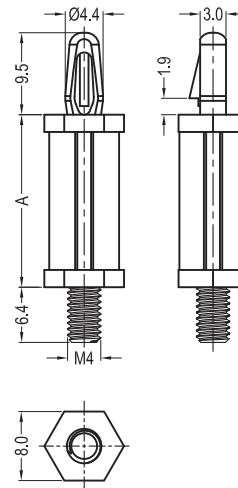
THREADED SPACER

Locking Circuit Board Support Threaded GMSS-M4

A



GMSS-M4



Top Hole: 4.0±0.08mm
Panel Thickness: 1.57mm

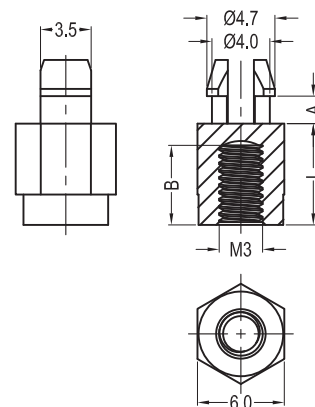
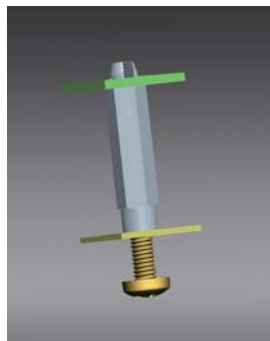
Sizes in mm

P/N.	Article No.	Cross-Ref.	Material	Color	A	Thread M	Packing Unit
40555	GMSS-M4-45-818B-HB	-	PA66 UL94HB	Black	45.0	M4	500
40556	GMSS-M4-50-818B-HB	-	PA66 UL94HB	Black	50.0	M4	500
40610	GMSS-M4-45-818B	MSCBS-45-01	PA66 UL94V2	Black	45.0	M4	500
40611	GMSS-M4-50-818B	MSCBS-50-01	PA66 UL94V2	Black	50.0	M4	500

Material: PA66 UL94HB (GMS-08); PA66 UL94V2 (GMS-01)

Screw Mount Locking Circuit Board Support TCBP

TCBP



Sizes in mm

P/N.	Article No.	Cross-Ref.	Material	Color	A	B	L	Hole	Panel Thickness	Thread	Packing Unit
42218	TCBP-M3-6-7	MSP2-M3-7	PA6 UL94V2	Black	1.9	5.5	7.0	4.0±0.08	1.8	M3	1000
42177	TCBP-M3-6-37	-	PA6 UL94V2	Black	1.7	10.0	37.0	4.0±0.08	1.5	M3	1000

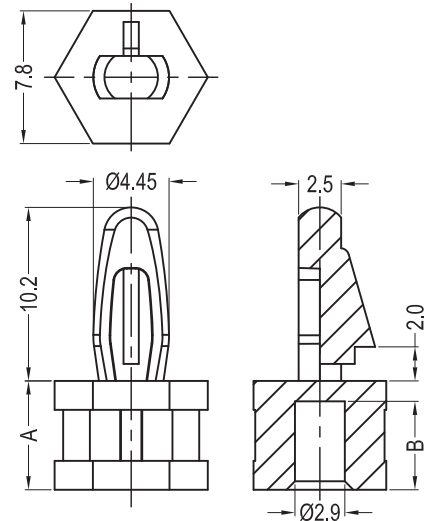
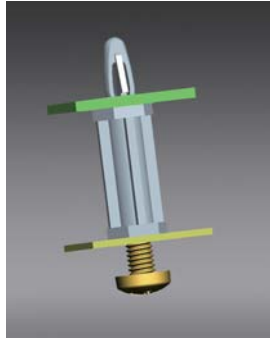
Material: PA6 UL94V2 (GMS-10)



THREADED SPACER

Self-Tapping Circuit Board Support GHCBS

GHCBS



Top Hole: 4.0±0.08mm
Panel Thickness: 1.57mm
Bottom Hole: For #6(3.5) Self-Tapping Screw

Sizes in mm

P/N.	Article No.	Cross-Ref.	Material	Color	A	B	Packing Unit
40558	GHCBS-4-66	TCBS-4-01	PA66 UL94V2	Natural	6.4	5.2	1000
40560	GHCBS-6-66	TCBS-6-01	PA66 UL94V2	Natural	9.5	7.9	1000
40562	GHCBS-8-66	TCBS-8-01	PA66 UL94V2	Natural	12.7	7.9	1000
40564	GHCBS-10-66	TCBS-10-01	PA66 UL94V2	Natural	15.9	7.9	1000
40566	GHCBS-12-66	TCBS-12-01	PA66 UL94V2	Natural	19.1	7.9	1000
40568	GHCBS-14-66	TCBS-14-01	PA66 UL94V2	Natural	22.2	7.9	1000
40570	GHCBS-16-66	TCBS-16-01	PA66 UL94V2	Natural	25.4	7.9	1000
40572	GHCBS-18-66	TCBS-18-01	PA66 UL94V2	Natural	28.6	7.9	1000
40574	GHCBS-20-66	TCBS-20-01	PA66 UL94V2	Natural	31.7	7.9	1000
40576	GHCBS-22.5-66	TCBS-22.5-01	PA66 UL94V2	Natural	35.7	7.9	1000
40559	GHCBS-4-V0	TCBS-4-19	PA66 UL94V0	Natural	6.4	5.2	1000
40561	GHCBS-6-V0	TCBS-6-19	PA66 UL94V0	Natural	9.5	7.9	1000
40563	GHCBS-8-V0	TCBS-8-19	PA66 UL94V0	Natural	12.7	7.9	1000
40565	GHCBS-10-V0	TCBS-10-19	PA66 UL94V0	Natural	15.9	7.9	1000
40567	GHCBS-12-V0	TCBS-12-19	PA66 UL94V0	Natural	19.1	7.9	1000
40569	GHCBS-14-V0	TCBS-14-19	PA66 UL94V0	Natural	22.2	7.9	1000
40571	GHCBS-16-V0	TCBS-16-19	PA66 UL94V0	Natural	25.4	7.9	1000
40573	GHCBS-18-V0	TCBS-18-19	PA66 UL94V0	Natural	28.6	7.9	1000
40575	GHCBS-20-V0	TCBS-20-19	PA66 UL94V0	Natural	31.7	7.9	1000
40577	GHCBS-22.5-V0	TCBS-22.5-19	PA66 UL94V0	Natural	35.7	7.9	1000

Material: PA66 UL94V2 (GMS-01); PA66 UL94V0 (GMS-02)

A



THREADED SPACER

Locking Circuit Board Support Threaded GCBS-TF/GLCBS-TF

A

GCBS-TF

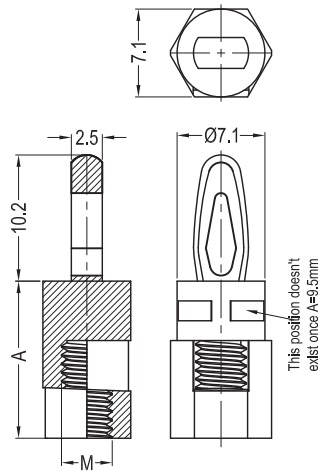


Fig.1

Top Hole: 4.0±0.08mm
Panel Thickness: 1.57mm

GLCBS-TF

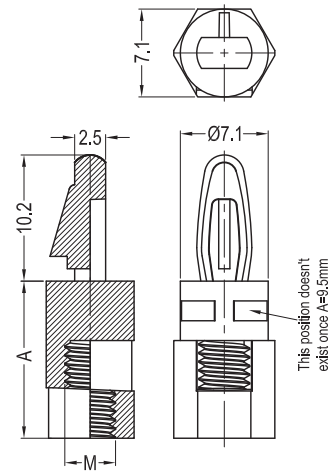


Fig.2

Top Hole: 4.0±0.08mm
Panel Thickness: 1.57mm

Sizes in mm

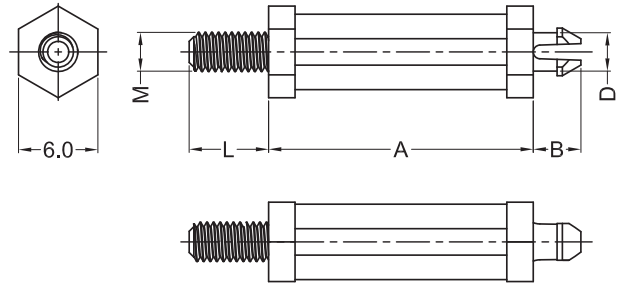
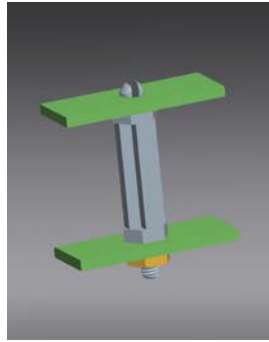


P/N.	Article No.	Cross-Ref.	Material	Color	A	Thread M	FIG.	Packing Unit
42415	GCBS-TF-6-01	CBS-TF-6-01	PA66 UL94V2	Natural	9.5	#6-32	1	1000
42416	GCBS-TF-8-01	CBS-TF-8-01	PA66 UL94V2	Natural	12.7	#6-32	1	1000
42417	GCBS-TF-10-01	CBS-TF-10-01	PA66 UL94V2	Natural	15.9	#6-32	1	1000
42418	GCBS-TF-12-01	CBS-TF-12-01	PA66 UL94V2	Natural	19.1	#6-32	1	1000
42419	GCBS-TF-14-01	CBS-TF-14-01	PA66 UL94V2	Natural	22.2	#6-32	1	1000
42420	GCBS-TF-16-01	CBS-TF-16-01	PA66 UL94V2	Natural	25.4	#6-32	1	1000
42421	GCBS-TF-M4-6-01	CBS-TF-M4-6-01	PA66 UL94V2	Natural	9.5	M4	1	1000
42422	GCBS-TF-M4-8-01	CBS-TF-M4-8-01	PA66 UL94V2	Natural	12.7	M4	1	1000
42423	GCBS-TF-M4-10-01	CBS-TF-M4-10-01	PA66 UL94V2	Natural	15.9	M4	1	1000
42424	GCBS-TF-M4-12-01	CBS-TF-M4-12-01	PA66 UL94V2	Natural	19.1	M4	1	1000
42425	GCBS-TF-M4-14-01	CBS-TF-M4-14-01	PA66 UL94V2	Natural	22.2	M4	1	1000
42426	GCBS-TF-M4-16-01	CBS-TF-M4-16-01	PA66 UL94V2	Natural	25.4	M4	1	1000
42409	GLCBS-TF-6-01	LCBS-TF-6-01	PA66 UL94V2	Natural	9.5	#6-32	2	1000
42410	GLCBS-TF-8-01	LCBS-TF-8-01	PA66 UL94V2	Natural	12.7	#6-32	2	1000
42411	GLCBS-TF-10-01	LCBS-TF-10-01	PA66 UL94V2	Natural	15.9	#6-32	2	1000
42412	GLCBS-TF-12-01	LCBS-TF-12-01	PA66 UL94V2	Natural	19.1	#6-32	2	1000
42413	GLCBS-TF-14-01	LCBS-TF-14-01	PA66 UL94V2	Natural	22.2	#6-32	2	1000
42414	GLCBS-TF-16-01	LCBS-TF-16-01	PA66 UL94V2	Natural	25.4	#6-32	2	1000
41405	GLCBS-TF-M4-6-01	LCBS-TF-M4-6-01	PA66 UL94V2	Natural	9.5	M4	2	1000
41406	GLCBS-TF-M4-8-01	LCBS-TF-M4-8-01	PA66 UL94V2	Natural	12.7	M4	2	1000
41407	GLCBS-TF-M4-10-01	LCBS-TF-M4-10-01	PA66 UL94V2	Natural	15.9	M4	2	1000
41408	GLCBS-TF-M4-12-01	LCBS-TF-M4-12-01	PA66 UL94V2	Natural	19.1	M4	2	1000
41409	GLCBS-TF-M4-14-01	LCBS-TF-M4-14-01	PA66 UL94V2	Natural	22.2	M4	2	1000
41410	GLCBS-TF-M4-16-01	LCBS-TF-M4-16-01	PA66 UL94V2	Natural	25.4	M4	2	1000

Material: PA66 UL94V2 (GMS-01)

THREADED SPACER

Locking Circuit Board Support Threaded GTCBNS



GTCBNS

Top Hole: See Table ($D \pm 0.08\text{mm}$)
Panel Thickness: 1.6mm

Sizes in mm

P/N.	Article No.	Cross-Ref.	Material	Color	A	B	L	D	Thread M	Packing Unit
43049	GTCBNS-M2.5-3-66	-	PA66 UL94V2	Natural	3.0	3.6	6.0	3.0	M2.5	1000
43050	GTCBNS-M2.5-5-66	-	PA66 UL94V2	Natural	5.0	3.6	6.0	3.0	M2.5	1000
43051	GTCBNS-M2.5-6-66	-	PA66 UL94V2	Natural	6.0	3.6	6.0	3.0	M2.5	1000
43052	GTCBNS-M2.5-8-66	-	PA66 UL94V2	Natural	8.0	3.6	6.0	3.0	M2.5	1000
43053	GTCBNS-M2.5-10-66	-	PA66 UL94V2	Natural	10.0	3.6	6.0	3.0	M2.5	1000
43054	GTCBNS-M2.5-12-66	-	PA66 UL94V2	Natural	12.0	3.6	6.0	3.0	M2.5	1000
43055	GTCBNS-M2.5-15-66	-	PA66 UL94V2	Natural	15.0	3.6	6.0	3.0	M2.5	1000
43056	GTCBNS-M2.5-20-66	-	PA66 UL94V2	Natural	20.0	3.6	6.0	3.0	M2.5	1000
43057	GTCBNS-M3-3-66	-	PA66 UL94V2	Natural	3.0	3.6	6.0	3.0	M3	1000
43058	GTCBNS-M3-5-66	-	PA66 UL94V2	Natural	5.0	3.6	6.0	3.0	M3	1000
43059	GTCBNS-M3-6-66	-	PA66 UL94V2	Natural	6.0	3.6	6.0	3.0	M3	1000
43060	GTCBNS-M3-8-66	-	PA66 UL94V2	Natural	8.0	3.6	6.0	3.0	M3	1000
43061	GTCBNS-M3-10-66	-	PA66 UL94V2	Natural	10.0	3.6	6.0	3.0	M3	1000
43062	GTCBNS-M3-12-66	-	PA66 UL94V2	Natural	12.0	3.6	6.0	3.0	M3	1000
43063	GTCBNS-M3-15-66	-	PA66 UL94V2	Natural	15.0	3.6	6.0	3.0	M3	1000
43064	GTCBNS-M3-20-66	-	PA66 UL94V2	Natural	20.0	3.6	6.0	3.0	M3	1000
43065	GTCBNS-M4-3-66	-	PA66 UL94V2	Natural	3.0	4.8	6.4	3.8	M4	1000
43066	GTCBNS-M4-5-66	-	PA66 UL94V2	Natural	5.0	4.8	6.4	3.8	M4	1000
43067	GTCBNS-M4-6-66	-	PA66 UL94V2	Natural	6.0	4.8	6.4	3.8	M4	1000
43068	GTCBNS-M4-8-66	-	PA66 UL94V2	Natural	8.0	4.8	6.4	3.8	M4	1000
43069	GTCBNS-M4-10-66	-	PA66 UL94V2	Natural	10.0	4.8	6.4	3.8	M4	1000
43070	GTCBNS-M4-12-66	-	PA66 UL94V2	Natural	12.0	4.8	6.4	3.8	M4	1000
43071	GTCBNS-M4-15-66	-	PA66 UL94V2	Natural	15.0	4.8	6.4	3.8	M4	1000
43072	GTCBNS-M4-20-66	-	PA66 UL94V2	Natural	20.0	4.8	6.4	3.8	M4	1000
43025	GTCBNS-M2.5-3-66B	TCBNS-M2.5-3	PA66 UL94V2	Black	3.0	3.6	6.0	3.0	M2.5	1000
43026	GTCBNS-M2.5-5-66B	TCBNS-M2.5-5	PA66 UL94V2	Black	5.0	3.6	6.0	3.0	M2.5	1000
43027	GTCBNS-M2.5-6-66B	TCBNS-M2.5-6	PA66 UL94V2	Black	6.0	3.6	6.0	3.0	M2.5	1000
43028	GTCBNS-M2.5-8-66B	TCBNS-M2.5-8	PA66 UL94V2	Black	8.0	3.6	6.0	3.0	M2.5	1000
43029	GTCBNS-M2.5-10-66B	TCBNS-M2.5-10	PA66 UL94V2	Black	10.0	3.6	6.0	3.0	M2.5	1000
43030	GTCBNS-M2.5-12-66B	TCBNS-M2.5-12	PA66 UL94V2	Black	12.0	3.6	6.0	3.0	M2.5	1000
43031	GTCBNS-M2.5-15-66B	TCBNS-M2.5-15	PA66 UL94V2	Black	15.0	3.6	6.0	3.0	M2.5	1000
43032	GTCBNS-M2.5-20-66B	TCBNS-M2.5-20	PA66 UL94V2	Black	20.0	3.6	6.0	3.0	M2.5	1000

Material: PA66 UL94V2 (GMS-01)



sales@sucatec.com

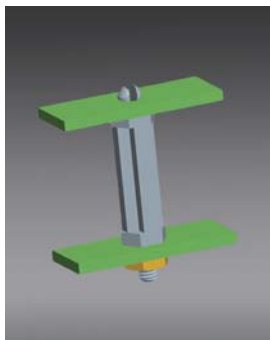


www.sucatec.com

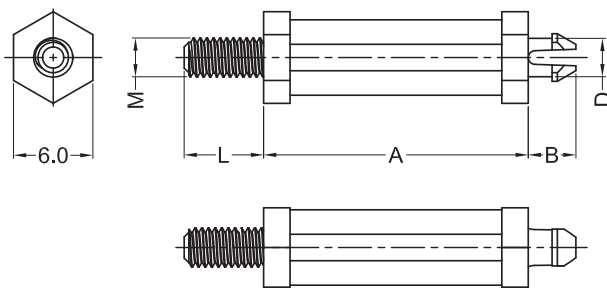
THREADED SPACER

Locking Circuit Board Support Threaded GTCBNS

A



GTCBNS



Top Hole: See Table ($D \pm 0.08\text{mm}$)
Panel Thickness: 1.6mm

Sizes in mm

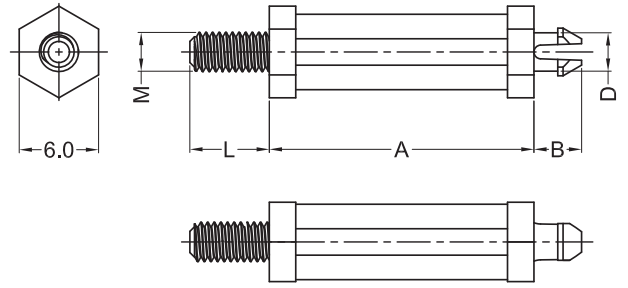
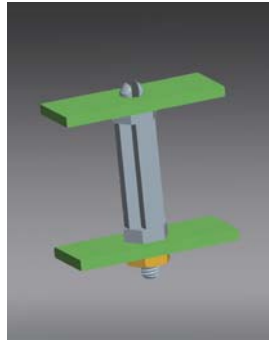
P/N.	Article No.	Cross-Ref.	Material	Color	A	B	L	D	Thread M	Packing Unit
43033	GTCBNS-M3-3-66B	TCBNS-M3-3	PA66 UL94V2	Black	3.0	3.6	6.0	3.0	M3	1000
43034	GTCBNS-M3-5-66B	TCBNS-M3-5	PA66 UL94V2	Black	5.0	3.6	6.0	3.0	M3	1000
43035	GTCBNS-M3-6-66B	TCBNS-M3-6	PA66 UL94V2	Black	6.0	3.6	6.0	3.0	M3	1000
43036	GTCBNS-M3-8-66B	TCBNS-M3-8	PA66 UL94V2	Black	8.0	3.6	6.0	3.0	M3	1000
43037	GTCBNS-M3-10-66B	TCBNS-M3-10	PA66 UL94V2	Black	10.0	3.6	6.0	3.0	M3	1000
43038	GTCBNS-M3-12-66B	TCBNS-M3-12	PA66 UL94V2	Black	12.0	3.6	6.0	3.0	M3	1000
43039	GTCBNS-M3-15-66B	TCBNS-M3-15	PA66 UL94V2	Black	15.0	3.6	6.0	3.0	M3	1000
43040	GTCBNS-M3-20-66B	TCBNS-M3-20	PA66 UL94V2	Black	20.0	3.6	6.0	3.0	M3	1000
43041	GTCBNS-M4-3-66B	TCBNS-M4-3	PA66 UL94V2	Black	3.0	4.8	6.4	3.8	M4	1000
43042	GTCBNS-M4-5-66B	TCBNS-M4-5	PA66 UL94V2	Black	5.0	4.8	6.4	3.8	M4	1000
43043	GTCBNS-M4-6-66B	TCBNS-M4-6	PA66 UL94V2	Black	6.0	4.8	6.4	3.8	M4	1000
43044	GTCBNS-M4-8-66B	TCBNS-M4-8	PA66 UL94V2	Black	8.0	4.8	6.4	3.8	M4	1000
43045	GTCBNS-M4-10-66B	TCBNS-M4-10	PA66 UL94V2	Black	10.0	4.8	6.4	3.8	M4	1000
43046	GTCBNS-M4-12-66B	TCBNS-M4-12	PA66 UL94V2	Black	12.0	4.8	6.4	3.8	M4	1000
43047	GTCBNS-M4-15-66B	TCBNS-M4-15	PA66 UL94V2	Black	15.0	4.8	6.4	3.8	M4	1000
43048	GTCBNS-M4-20-66B	TCBNS-M4-20	PA66 UL94V2	Black	20.0	4.8	6.4	3.8	M4	1000
43097	GTCBNS-M2.5-3-V0	-	PA66 UL94V0	Natural	3.0	3.6	6.0	3.0	M2.5	1000
43098	GTCBNS-M2.5-5-V0	-	PA66 UL94V0	Natural	5.0	3.6	6.0	3.0	M2.5	1000
43099	GTCBNS-M2.5-6-V0	-	PA66 UL94V0	Natural	6.0	3.6	6.0	3.0	M2.5	1000
43100	GTCBNS-M2.5-8-V0	-	PA66 UL94V0	Natural	8.0	3.6	6.0	3.0	M2.5	1000
43101	GTCBNS-M2.5-10-V0	-	PA66 UL94V0	Natural	10.0	3.6	6.0	3.0	M2.5	1000
43102	GTCBNS-M2.5-12-V0	-	PA66 UL94V0	Natural	12.0	3.6	6.0	3.0	M2.5	1000
43103	GTCBNS-M2.5-15-V0	-	PA66 UL94V0	Natural	15.0	3.6	6.0	3.0	M2.5	1000
43104	GTCBNS-M2.5-20-V0	-	PA66 UL94V0	Natural	20.0	3.6	6.0	3.0	M2.5	1000
43105	GTCBNS-M3-3-V0	-	PA66 UL94V0	Natural	3.0	3.6	6.0	3.0	M3	1000
43106	GTCBNS-M3-5-V0	-	PA66 UL94V0	Natural	5.0	3.6	6.0	3.0	M3	1000
43107	GTCBNS-M3-6-V0	-	PA66 UL94V0	Natural	6.0	3.6	6.0	3.0	M3	1000
43108	GTCBNS-M3-8-V0	-	PA66 UL94V0	Natural	8.0	3.6	6.0	3.0	M3	1000
43109	GTCBNS-M3-10-V0	-	PA66 UL94V0	Natural	10.0	3.6	6.0	3.0	M3	1000
43110	GTCBNS-M3-12-V0	-	PA66 UL94V0	Natural	12.0	3.6	6.0	3.0	M3	1000
43111	GTCBNS-M3-15-V0	-	PA66 UL94V0	Natural	15.0	3.6	6.0	3.0	M3	1000
43112	GTCBNS-M3-20-V0	-	PA66 UL94V0	Natural	20.0	3.6	6.0	3.0	M3	1000

Material: PA66 UL94V2 (GMS-01)

THREADED SPACER

Locking Circuit Board Support Threaded GTCBNS

GTCBNS



Top Hole: See Table (D±0.08mm)
Panel Thickness: 1.6mm

Sizes in mm

P/N.	Article No.	Cross-Ref.	Material	Color	A	B	L	D	Thread M	Packing Unit
43113	GTCBNS-M4-3-V0	-	PA66 UL94V0	Natural	3.0	4.8	6.4	3.8	M4	1000
43114	GTCBNS-M4-5-V0	-	PA66 UL94V0	Natural	5.0	4.8	6.4	3.8	M4	1000
43115	GTCBNS-M4-6-V0	-	PA66 UL94V0	Natural	6.0	4.8	6.4	3.8	M4	1000
43116	GTCBNS-M4-8-V0	-	PA66 UL94V0	Natural	8.0	4.8	6.4	3.8	M4	1000
43117	GTCBNS-M4-10-V0	-	PA66 UL94V0	Natural	10.0	4.8	6.4	3.8	M4	1000
43118	GTCBNS-M4-12-V0	-	PA66 UL94V0	Natural	12.0	4.8	6.4	3.8	M4	1000
43119	GTCBNS-M4-15-V0	-	PA66 UL94V0	Natural	15.0	4.8	6.4	3.8	M4	1000
43120	GTCBNS-M4-20-V0	-	PA66 UL94V0	Natural	20.0	4.8	6.4	3.8	M4	1000
43073	GTCBNS-M2.5-3-BV0	-	PA66 UL94V0	Black	3.0	3.6	6.0	3.0	M2.5	1000
43074	GTCBNS-M2.5-5-BV0	-	PA66 UL94V0	Black	5.0	3.6	6.0	3.0	M2.5	1000
43075	GTCBNS-M2.5-6-BV0	-	PA66 UL94V0	Black	6.0	3.6	6.0	3.0	M2.5	1000
43076	GTCBNS-M2.5-8-BV0	-	PA66 UL94V0	Black	8.0	3.6	6.0	3.0	M2.5	1000
43077	GTCBNS-M2.5-10-BV0	-	PA66 UL94V0	Black	10.0	3.6	6.0	3.0	M2.5	1000
43078	GTCBNS-M2.5-12-BV0	-	PA66 UL94V0	Black	12.0	3.6	6.0	3.0	M2.5	1000
43079	GTCBNS-M2.5-15-BV0	-	PA66 UL94V0	Black	15.0	3.6	6.0	3.0	M2.5	1000
43080	GTCBNS-M2.5-20-BV0	-	PA66 UL94V0	Black	20.0	3.6	6.0	3.0	M2.5	1000
43081	GTCBNS-M3-3-BV0	-	PA66 UL94V0	Black	3.0	3.6	6.0	3.0	M3	1000
43082	GTCBNS-M3-5-BV0	-	PA66 UL94V0	Black	5.0	3.6	6.0	3.0	M3	1000
43083	GTCBNS-M3-6-BV0	-	PA66 UL94V0	Black	6.0	3.6	6.0	3.0	M3	1000
43084	GTCBNS-M3-8-BV0	-	PA66 UL94V0	Black	8.0	3.6	6.0	3.0	M3	1000
43085	GTCBNS-M3-10-BV0	-	PA66 UL94V0	Black	10.0	3.6	6.0	3.0	M3	1000
43086	GTCBNS-M3-12-BV0	-	PA66 UL94V0	Black	12.0	3.6	6.0	3.0	M3	1000
43087	GTCBNS-M3-15-BV0	-	PA66 UL94V0	Black	15.0	3.6	6.0	3.0	M3	1000
43088	GTCBNS-M3-20-BV0	-	PA66 UL94V0	Black	20.0	3.6	6.0	3.0	M3	1000
43089	GTCBNS-M4-3-BV0	-	PA66 UL94V0	Black	3.0	4.8	6.4	3.8	M4	1000
43090	GTCBNS-M4-5-BV0	-	PA66 UL94V0	Black	5.0	4.8	6.4	3.8	M4	1000
43091	GTCBNS-M4-6-BV0	-	PA66 UL94V0	Black	6.0	4.8	6.4	3.8	M4	1000
43092	GTCBNS-M4-8-BV0	-	PA66 UL94V0	Black	8.0	4.8	6.4	3.8	M4	1000
43093	GTCBNS-M4-10-BV0	-	PA66 UL94V0	Black	10.0	4.8	6.4	3.8	M4	1000
43094	GTCBNS-M4-12-BV0	-	PA66 UL94V0	Black	12.0	4.8	6.4	3.8	M4	1000
43095	GTCBNS-M4-15-BV0	-	PA66 UL94V0	Black	15.0	4.8	6.4	3.8	M4	1000
43096	GTCBNS-M4-20-BV0	-	PA66 UL94V0	Black	20.0	4.8	6.4	3.8	M4	1000

Material: PA66 UL94V2 (GMS-01)



sales@sucatec.com



www.sucatec.com

THREADED SPACER

Hex Mini Support Post Threaded GSCBS1/2

A



GSCBS1

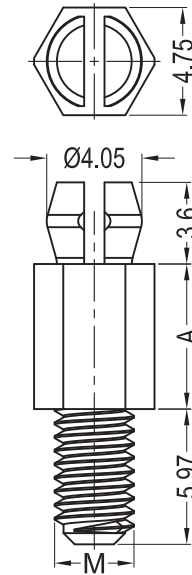


Fig.1

GSCBS2

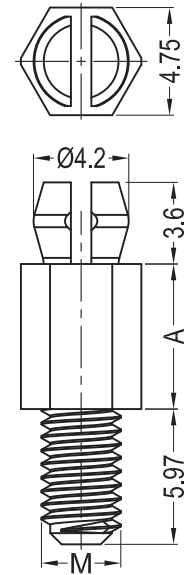


Fig.2

Top Hole: 3.86±0.05mm
Panel Thickness: 1.57mm

Top Hole: 4.0±0.08mm
Panel Thickness: 1.57mm

Sizes in mm

P/N.	Article No.	Cross-Ref.	Material	Color	A	Thread M	FIG.	Packing Unit
41369	GSCBS1-2-66	HMSP-TM-2-01	PA66 UL94V2	Natural	3.2	#6-32	1	1000
41370	GSCBS1-3-66	HMSP-TM-3-01	PA66 UL94V2	Natural	4.8	#6-32	1	1000
41371	GSCBS1-4-66	HMSP-TM-4-01	PA66 UL94V2	Natural	6.4	#6-32	1	1000
41372	GSCBS1-6-66	HMSP-TM-6-01	PA66 UL94V2	Natural	9.5	#6-32	1	1000
41373	GSCBS1-8-66	HMSP-TM-8-01	PA66 UL94V2	Natural	12.7	#6-32	1	1000
41374	GSCBS1-10-66	HMSP-TM-10-01	PA66 UL94V2	Natural	15.9	#6-32	1	1000
41375	GSCBS1-12-66	HMSP-TM-12-01	PA66 UL94V2	Natural	19.1	#6-32	1	1000
41376	GSCBS1-14-66	HMSP-TM-14-01	PA66 UL94V2	Natural	22.2	#6-32	1	1000
41263	GSCBS1-2-V0	HMSP-TM-2-19	PA66 UL94V0	Natural	3.2	#6-32	1	1000
41264	GSCBS1-3-V0	HMSP-TM-3-19	PA66 UL94V0	Natural	4.8	#6-32	1	1000
41265	GSCBS1-4-V0	HMSP-TM-4-19	PA66 UL94V0	Natural	6.4	#6-32	1	1000
41266	GSCBS1-6-V0	HMSP-TM-6-19	PA66 UL94V0	Natural	9.5	#6-32	1	1000
41267	GSCBS1-8-V0	HMSP-TM-8-19	PA66 UL94V0	Natural	12.7	#6-32	1	1000
41268	GSCBS1-10-V0	HMSP-TM-10-19	PA66 UL94V0	Natural	15.9	#6-32	1	1000
41269	GSCBS1-12-V0	HMSP-TM-12-19	PA66 UL94V0	Natural	19.1	#6-32	1	1000
41270	GSCBS1-14-V0	HMSP-TM-14-19	PA66 UL94V0	Natural	22.2	#6-32	1	1000
42225	GSCBS1-M3-2-66	HMSP-TM-M3-2-01	PA66 UL94V2	Natural	3.2	M3	1	1000
42226	GSCBS1-M3-3-66	HMSP-TM-M3-3-01	PA66 UL94V2	Natural	4.8	M3	1	1000
42227	GSCBS1-M3-4-66	HMSP-TM-M3-4-01	PA66 UL94V2	Natural	6.4	M3	1	1000
42228	GSCBS1-M3-6-66	HMSP-TM-M3-6-01	PA66 UL94V2	Natural	9.5	M3	1	1000
42229	GSCBS1-M3-8-66	HMSP-TM-M3-8-01	PA66 UL94V2	Natural	12.7	M3	1	1000
42230	GSCBS1-M3-10-66	HMSP-TM-M3-10-01	PA66 UL94V2	Natural	15.9	M3	1	1000
42231	GSCBS1-M3-12-66	HMSP-TM-M3-12-01	PA66 UL94V2	Natural	19.1	M3	1	1000
42232	GSCBS1-M3-14-66	HMSP-TM-M3-14-01	PA66 UL94V2	Natural	22.2	M3	1	1000
42620	GSCBS1-M3-2-V0	HMSP-TM-M3-2-19	PA66 UL94V0	Natural	3.2	M3	1	1000
42621	GSCBS1-M3-3-V0	HMSP-TM-M3-3-19	PA66 UL94V0	Natural	4.8	M3	1	1000
42622	GSCBS1-M3-4-V0	HMSP-TM-M3-4-19	PA66 UL94V0	Natural	6.4	M3	1	1000
42623	GSCBS1-M3-6-V0	HMSP-TM-M3-6-19	PA66 UL94V0	Natural	9.5	M3	1	1000

Material: PA66 UL94V2 (GMS-01); PA66 UL94V0 (GMS-02)



THREADED SPACER

Hex Mini Support Post Threaded GSCBS1/2

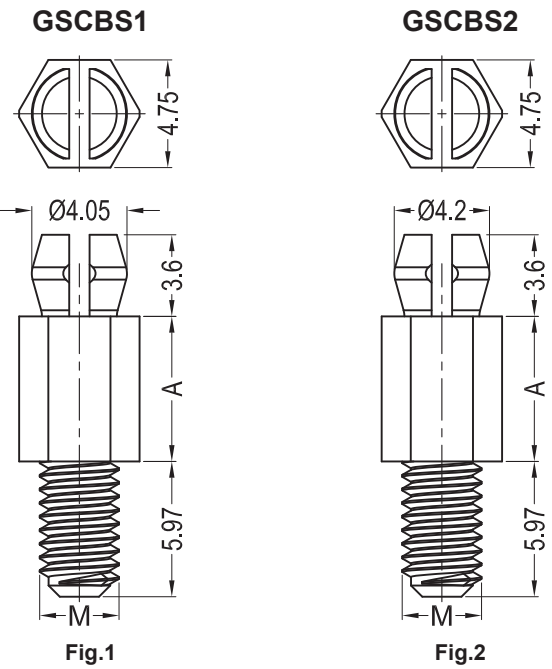


Fig.1
Top Hole: 3.86±0.05mm
Panel Thickness: 1.57mm

Fig.2
Top Hole: 4.0±0.08mm
Panel Thickness: 1.57mm

Sizes in mm

P/N.	Article No.	Cross-Ref.	Material	Color	A	Thread M	FIG.	Packing Unit
42624	GSCBS1-M3-8-V0	HMSP-TM-M3-8-19	PA66 UL94V0	Natural	12.7	M3	1	1000
42625	GSCBS1-M3-10-V0	HMSP-TM-M3-10-19	PA66 UL94V0	Natural	15.9	M3	1	1000
42626	GSCBS1-M3-12-V0	HMSP-TM-M3-12-19	PA66 UL94V0	Natural	19.1	M3	1	1000
42627	GSCBS1-M3-14-V0	HMSP-TM-M3-14-19	PA66 UL94V0	Natural	22.2	M3	1	1000
42233	GSCBS1-M4-2-66	HMSP-TM-M4-2-01	PA66 UL94V2	Natural	3.2	M4	1	1000
42241	GSCBS1-M4-3-66	HMSP-TM-M4-3-01	PA66 UL94V2	Natural	4.8	M4	1	1000
42235	GSCBS1-M4-4-66	HMSP-TM-M4-4-01	PA66 UL94V2	Natural	6.4	M4	1	1000
42236	GSCBS1-M4-6-66	HMSP-TM-M4-6-01	PA66 UL94V2	Natural	9.5	M4	1	1000
42237	GSCBS1-M4-8-66	HMSP-TM-M4-8-01	PA66 UL94V2	Natural	12.7	M4	1	1000
42238	GSCBS1-M4-10-66	HMSP-TM-M4-10-01	PA66 UL94V2	Natural	15.9	M4	1	1000
42239	GSCBS1-M4-12-66	HMSP-TM-M4-12-01	PA66 UL94V2	Natural	19.1	M4	1	1000
42240	GSCBS1-M4-14-66	HMSP-TM-M4-14-01	PA66 UL94V2	Natural	22.2	M4	1	1000
42628	GSCBS1-M4-2-V0	HMSP-TM-M4-2-19	PA66 UL94V0	Natural	3.2	M4	1	1000
42234	GSCBS1-M4-3-V0	HMSP-TM-M4-3-19	PA66 UL94V0	Natural	4.8	M4	1	1000
42629	GSCBS1-M4-4-V0	HMSP-TM-M4-4-19	PA66 UL94V0	Natural	6.4	M4	1	1000
42630	GSCBS1-M4-6-V0	HMSP-TM-M4-6-19	PA66 UL94V0	Natural	9.5	M4	1	1000
42631	GSCBS1-M4-8-V0	HMSP-TM-M4-8-19	PA66 UL94V0	Natural	12.7	M4	1	1000
42632	GSCBS1-M4-10-V0	HMSP-TM-M4-10-19	PA66 UL94V0	Natural	15.9	M4	1	1000
42633	GSCBS1-M4-12-V0	HMSP-TM-M4-12-19	PA66 UL94V0	Natural	19.1	M4	1	1000
42634	GSCBS1-M4-14-V0	HMSP-TM-M4-14-19	PA66 UL94V0	Natural	22.2	M4	1	1000
42707	GSCBS2-M3-2-66	-	PA66 UL94V2	Natural	3.2	M3	2	1000
42708	GSCBS2-M3-3-66	-	PA66 UL94V2	Natural	4.8	M3	2	1000
42709	GSCBS2-M3-4-66	-	PA66 UL94V2	Natural	6.4	M3	2	1000
42710	GSCBS2-M3-6-66	-	PA66 UL94V2	Natural	9.5	M3	2	1000
42711	GSCBS2-M3-8-66	-	PA66 UL94V2	Natural	12.7	M3	2	1000
42712	GSCBS2-M3-10-66	-	PA66 UL94V2	Natural	15.9	M3	2	1000
42713	GSCBS2-M3-12-66	-	PA66 UL94V2	Natural	19.1	M3	2	1000
42714	GSCBS2-M3-14-66	-	PA66 UL94V2	Natural	22.2	M3	2	1000

Material: PA66 UL94V2 (GMS-01); PA66 UL94V0 (GMS-02)



sales@sucatec.com



www.sucatec.com

A

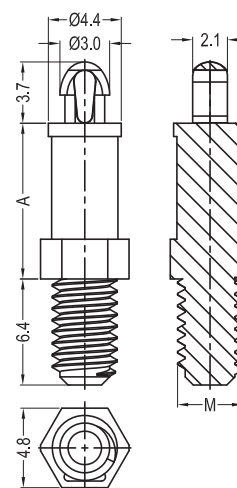
THREADED SPACER

Mini Threaded Circuit Board Support GMSCBST

A



GMSCBST



Top Hole: 2.5±0.05mm
Panel Thickness: 1.6mm

Sizes in mm

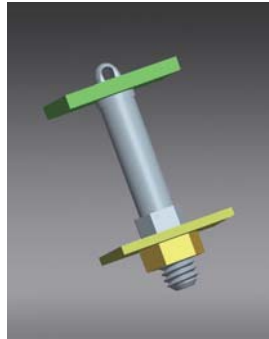
P/N.	Article No.	Cross-Ref.	Material	Color	A	Thread M	Packing Unit
42248	GMSCBST-M3-2-01	MSCBST-M3-2-01	PA66 UL94V2	Natural	3.2	M3	1000
42249	GMSCBST-M3-3-01	MSCBST-M3-3-01	PA66 UL94V2	Natural	4.8	M3	1000
42250	GMSCBST-M3-4-01	MSCBST-M3-4-01	PA66 UL94V2	Natural	6.4	M3	1000
42251	GMSCBST-M3-5-01	MSCBST-M3-5-01	PA66 UL94V2	Natural	7.9	M3	1000
42252	GMSCBST-M3-6-01	MSCBST-M3-6-01	PA66 UL94V2	Natural	9.5	M3	1000
42253	GMSCBST-M3-7-01	MSCBST-M3-7-01	PA66 UL94V2	Natural	11.1	M3	1000
42254	GMSCBST-M3-8-01	MSCBST-M3-8-01	PA66 UL94V2	Natural	12.7	M3	1000
42255	GMSCBST-M3-9-01	MSCBST-M3-9-01	PA66 UL94V2	Natural	14.3	M3	1000
42256	GMSCBST-M3-10-01	MSCBST-M3-10-01	PA66 UL94V2	Natural	15.9	M3	1000
43705	GMSCBST-M3-12-01	-	PA66 UL94V2	Natural	19.1	M3	1000
42797	GMSCBST-M3-2-01B	MSCBST-M3-2-01BK	PA66 UL94V2	Black	3.2	M3	1000
42798	GMSCBST-M3-3-01B	MSCBST-M3-3-01BK	PA66 UL94V2	Black	4.8	M3	1000
42799	GMSCBST-M3-4-01B	MSCBST-M3-4-01BK	PA66 UL94V2	Black	6.4	M3	1000
42800	GMSCBST-M3-5-01B	MSCBST-M3-5-01BK	PA66 UL94V2	Black	7.9	M3	1000
42801	GMSCBST-M3-6-01B	MSCBST-M3-6-01BK	PA66 UL94V2	Black	9.5	M3	1000
42802	GMSCBST-M3-7-01B	MSCBST-M3-7-01BK	PA66 UL94V2	Black	11.1	M3	1000
42803	GMSCBST-M3-8-01B	MSCBST-M3-8-01BK	PA66 UL94V2	Black	12.7	M3	1000
42804	GMSCBST-M3-9-01B	MSCBST-M3-9-01BK	PA66 UL94V2	Black	14.3	M3	1000
42805	GMSCBST-M3-10-01B	MSCBST-M3-10-01BK	PA66 UL94V2	Black	15.9	M3	1000
43707	GMSCBST-M3-12-01B	-	PA66 UL94V2	Black	19.1	M3	1000
42260	GMSCBST-M3-2-19	MSCBST-M3-2-19	PA66 UL94V0	Natural	3.2	M3	1000
42261	GMSCBST-M3-3-19	MSCBST-M3-3-19	PA66 UL94V0	Natural	4.8	M3	1000
42262	GMSCBST-M3-4-19	MSCBST-M3-4-19	PA66 UL94V0	Natural	6.4	M3	1000
42263	GMSCBST-M3-5-19	MSCBST-M3-5-19	PA66 UL94V0	Natural	7.9	M3	1000
42264	GMSCBST-M3-6-19	MSCBST-M3-6-19	PA66 UL94V0	Natural	9.5	M3	1000
42265	GMSCBST-M3-7-19	MSCBST-M3-7-19	PA66 UL94V0	Natural	11.1	M3	1000

Material: PA66 UL94V2 (GMS-01); PA66 UL94V0 (GMS-02)

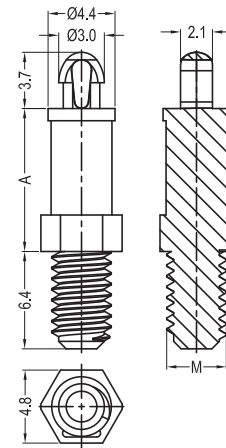


THREADED SPACER

Mini Threaded Circuit Board Support GMSCBST



GMSCBST



Sizes in mm

Top Hole: 2.5±0.05mm
Panel Thickness: 1.6mm

P/N.	Article No.	Cross-Ref.	Material	Color	A	Thread M	Packing Unit
42266	GMSCBST-M3-8-19	MSCBST-M3-8-19	PA66 UL94V0	Natural	12.7	M3	1000
42267	GMSCBST-M3-9-19	MSCBST-M3-9-19	PA66 UL94V0	Natural	14.3	M3	1000
42268	GMSCBST-M3-10-19	MSCBST-M3-10-19	PA66 UL94V0	Natural	15.9	M3	1000
43706	GMSCBST-M3-12-19	-	PA66 UL94V0	Natural	19.1	M3	1000
42806	GMSCBST-M3-2-19B	MSCBST-M3-2-19BK	PA66 UL94V0	Black	3.2	M3	1000
42807	GMSCBST-M3-3-19B	MSCBST-M3-3-19BK	PA66 UL94V0	Black	4.8	M3	1000
42808	GMSCBST-M3-4-19B	MSCBST-M3-4-19BK	PA66 UL94V0	Black	6.4	M3	1000
42809	GMSCBST-M3-5-19B	MSCBST-M3-5-19BK	PA66 UL94V0	Black	7.9	M3	1000
42810	GMSCBST-M3-6-19B	MSCBST-M3-6-19BK	PA66 UL94V0	Black	9.5	M3	1000
42811	GMSCBST-M3-7-19B	MSCBST-M3-7-19BK	PA66 UL94V0	Black	11.1	M3	1000
42812	GMSCBST-M3-8-19B	MSCBST-M3-8-19BK	PA66 UL94V0	Black	12.7	M3	1000
42813	GMSCBST-M3-9-19B	MSCBST-M3-9-19BK	PA66 UL94V0	Black	14.3	M3	1000
43708	GMSCBST-M3-12-19B	-	PA66 UL94V0	Black	19.1	M3	1000
42814	GMSCBST-M3-10-19B	MSCBST-M3-10-19BK	PA66 UL94V0	Black	15.9	M3	1000
41233	GMSCBST-M4-2-01	MSCBST-M4-02-01	PA66 UL94V2	Natural	3.2	M4	1000
41234	GMSCBST-M4-3-01	MSCBST-M4-03-01	PA66 UL94V2	Natural	4.8	M4	1000
41235	GMSCBST-M4-4-01	MSCBST-M4-04-01	PA66 UL94V2	Natural	6.4	M4	1000
41236	GMSCBST-M4-5-01	MSCBST-M4-05-01	PA66 UL94V2	Natural	7.9	M4	1000
41237	GMSCBST-M4-6-01	MSCBST-M4-06-01	PA66 UL94V2	Natural	9.5	M4	1000
41238	GMSCBST-M4-7-01	MSCBST-M4-07-01	PA66 UL94V2	Natural	11.1	M4	1000
41239	GMSCBST-M4-8-01	MSCBST-M4-08-01	PA66 UL94V2	Natural	12.7	M4	1000
41240	GMSCBST-M4-9-01	MSCBST-M4-09-01	PA66 UL94V2	Natural	14.3	M4	1000
41241	GMSCBST-M4-10-01	MSCBST-M4-10-01	PA66 UL94V2	Natural	15.9	M4	1000
43709	GMSCBST-M4-12-01	-	PA66 UL94V2	Natural	19.1	M4	1000
41806	GMSCBST-M4-2-01B	MSCBST-M4-02-01BK	PA66 UL94V2	Black	3.2	M4	1000
41807	GMSCBST-M4-3-01B	MSCBST-M4-03-01BK	PA66 UL94V2	Black	4.8	M4	1000
41808	GMSCBST-M4-4-01B	MSCBST-M4-04-01BK	PA66 UL94V2	Black	6.4	M4	1000

Material: PA66 UL94V2 (GMS-01); PA66 UL94V0 (GMS-02)



sales@sucatec.com

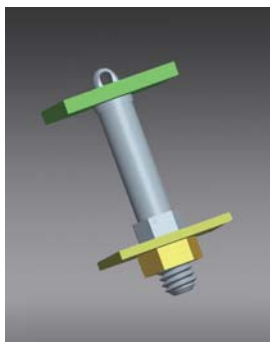


www.sucatec.com

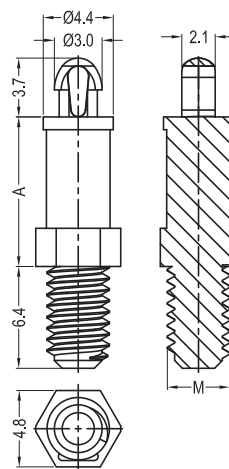
THREADED SPACER

Mini Threaded Circuit Board Support GMSCBST

A



GMSCBST



Top Hole: 2.5±0.05mm
Panel Thickness: 1.6mm

Sizes in mm

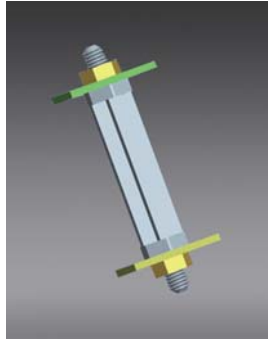
P/N.	Article No.	Cross-Ref.	Material	Color	A	Thread M	Packing Unit
41809	GMSCBST-M4-5-01B	MSCBST-M4-05-01BK	PA66 UL94V2	Black	7.9	M4	1000
41810	GMSCBST-M4-6-01B	MSCBST-M4-06-01BK	PA66 UL94V2	Black	9.5	M4	1000
41811	GMSCBST-M4-7-01B	MSCBST-M4-07-01BK	PA66 UL94V2	Black	11.1	M4	1000
41812	GMSCBST-M4-8-01B	MSCBST-M4-08-01BK	PA66 UL94V2	Black	12.7	M4	1000
41813	GMSCBST-M4-9-01B	MSCBST-M4-09-01BK	PA66 UL94V2	Black	14.3	M4	1000
41814	GMSCBST-M4-10-01B	MSCBST-M4-10-01BK	PA66 UL94V2	Black	15.9	M4	1000
43711	GMSCBST-M4-12-01B	-	PA66 UL94V2	Black	19.1	M4	1000
41797	GMSCBST-M4-2-19	MSCBST-M4-02-19	PA66 UL94V0	Natural	3.2	M4	1000
41798	GMSCBST-M4-3-19	MSCBST-M4-03-19	PA66 UL94V0	Natural	4.8	M4	1000
41799	GMSCBST-M4-4-19	MSCBST-M4-04-19	PA66 UL94V0	Natural	6.4	M4	1000
41800	GMSCBST-M4-5-19	MSCBST-M4-05-19	PA66 UL94V0	Natural	7.9	M4	1000
41801	GMSCBST-M4-6-19	MSCBST-M4-06-19	PA66 UL94V0	Natural	9.5	M4	1000
41802	GMSCBST-M4-7-19	MSCBST-M4-07-19	PA66 UL94V0	Natural	11.1	M4	1000
41803	GMSCBST-M4-8-19	MSCBST-M4-08-19	PA66 UL94V0	Natural	12.7	M4	1000
41804	GMSCBST-M4-9-19	MSCBST-M4-09-19	PA66 UL94V0	Natural	14.3	M4	1000
41805	GMSCBST-M4-10-19	MSCBST-M4-10-19	PA66 UL94V0	Natural	15.9	M4	1000
43710	GMSCBST-M4-12-19	-	PA66 UL94V0	Natural	19.1	M4	1000
41815	GMSCBST-M4-2-19B	MSCBST-M4-02-19BK	PA66 UL94V0	Black	3.2	M4	1000
41816	GMSCBST-M4-3-19B	MSCBST-M4-03-19BK	PA66 UL94V0	Black	4.8	M4	1000
41817	GMSCBST-M4-4-19B	MSCBST-M4-04-19BK	PA66 UL94V0	Black	6.4	M4	1000
41818	GMSCBST-M4-5-19B	MSCBST-M4-05-19BK	PA66 UL94V0	Black	7.9	M4	1000
41819	GMSCBST-M4-6-19B	MSCBST-M4-06-19BK	PA66 UL94V0	Black	9.5	M4	1000
41820	GMSCBST-M4-7-19B	MSCBST-M4-07-19BK	PA66 UL94V0	Black	11.1	M4	1000
41821	GMSCBST-M4-8-19B	MSCBST-M4-08-19BK	PA66 UL94V0	Black	12.7	M4	1000
41822	GMSCBST-M4-9-19B	MSCBST-M4-09-19BK	PA66 UL94V0	Black	14.3	M4	1000
41823	GMSCBST-M4-10-19B	MSCBST-M4-10-19BK	PA66 UL94V0	Black	15.9	M4	1000
43712	GMSCBST-M4-12-19B	-	PA66 UL94V0	Black	19.1	M4	1000

Material: PA66 UL94V2 (GMS-01); PA66 UL94V0 (GMS-02)

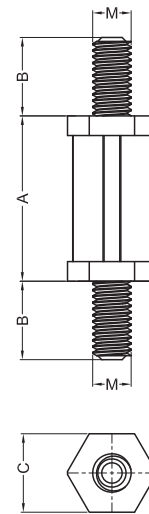


THREADED SPACER

Hex Threaded Standoff GHTS-MM



GHTS-MM



Sizes in mm

P/N.	Article No.	Cross-Ref.	Material	Color	A	B	C	Thread M	Packing Unit
42436	GHTS-MM-M3-6-5B-HB	-	PA66 UL94HB	Black	5.0	6.0	6.0	M3	1000
42359	GHTS-MM-M3-6-6B-HB	-	PA66 UL94HB	Black	6.0	6.0	6.0	M3	1000
42552	GHTS-MM-M3-6-5B	HTSN-M3-5-3	PA66 UL94V2	Black	5.0	6.0	6.0	M3	1000
42553	GHTS-MM-M3-6-6B	HTSN-M3-6-3	PA66 UL94V2	Black	6.0	6.0	6.0	M3	1000
41295	GHTS-MM-M3-6-25B	HTSN-M3-25-3	PA66 UL94V2	Black	25.0	6.0	6.0	M3	1000
42924	GHTS-MM-M3-6-35B	HTSN-M3-35-3	PA66 UL94V2	Black	35.0	6.0	6.0	M3	1000
42925	GHTS-MM-M4-6-12B	HTSN-M4-12-3	PA66 UL94V2	Black	12.0	6.0	6.0	M4	1000
42926	GHTS-MM-M4-6-25B	HTSN-M4-25-3	PA66 UL94V2	Black	25.0	6.0	6.0	M4	1000
42927	GHTS-MM-M4-6-40B	HTSN-M4-40-3	PA66 UL94V2	Black	40.0	6.0	6.0	M4	1000
43582	GHTS-MM-M5-10-80B	-	PA66 UL94V2	Black	80.0	10.0	10.0	M5	200

Material: PA66 UL94HB (GMS-11); PA66 UL94V2 (GMS-65)



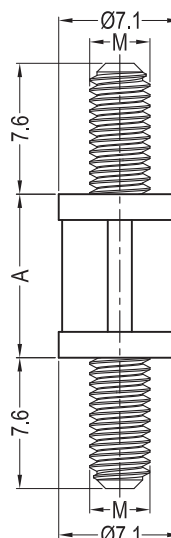
THREADED SPACER

Circuit Board Stacking Spacer GCBS-TMM

A



GCBS-TMM



Sizes in mm

P/N.	Article No.	Cross-Ref.	Material	Color	A	Thread M	Packing Unit
40808	GCBS-TMM-4-66	CBS-TMM-4-01	PA66 UL94V2	Natural	6.4	#6-32	1000
40809	GCBS-TMM-6-66	CBS-TMM-6-01	PA66 UL94V2	Natural	9.5	#6-32	1000
40810	GCBS-TMM-8-66	CBS-TMM-8-01	PA66 UL94V2	Natural	12.7	#6-32	1000
40811	GCBS-TMM-10-66	CBS-TMM-10-01	PA66 UL94V2	Natural	15.9	#6-32	1000
40812	GCBS-TMM-12-66	CBS-TMM-12-01	PA66 UL94V2	Natural	19.1	#6-32	1000
40813	GCBS-TMM-14-66	CBS-TMM-14-01	PA66 UL94V2	Natural	22.2	#6-32	1000
40814	GCBS-TMM-16-66	CBS-TMM-16-01	PA66 UL94V2	Natural	25.4	#6-32	1000
41991	GCBS-TMM-4-66B	CBS-TMM-4-01BK	PA66 UL94V2	Black	6.4	#6-32	1000
41992	GCBS-TMM-6-66B	CBS-TMM-6-01BK	PA66 UL94V2	Black	9.5	#6-32	1000
41993	GCBS-TMM-8-66B	CBS-TMM-8-01BK	PA66 UL94V2	Black	12.7	#6-32	1000
41994	GCBS-TMM-10-66B	CBS-TMM-10-01BK	PA66 UL94V2	Black	15.9	#6-32	1000
41995	GCBS-TMM-12-66B	CBS-TMM-12-01BK	PA66 UL94V2	Black	19.1	#6-32	1000
41996	GCBS-TMM-14-66B	CBS-TMM-14-01BK	PA66 UL94V2	Black	22.2	#6-32	1000
41997	GCBS-TMM-16-66B	CBS-TMM-16-01BK	PA66 UL94V2	Black	25.4	#6-32	1000
42005	GCBS-TMM-4-V0	CBS-TMM-4-19	PA66 UL94V0	Natural	6.4	#6-32	1000
42006	GCBS-TMM-6-V0	CBS-TMM-6-19	PA66 UL94V0	Natural	9.5	#6-32	1000
42007	GCBS-TMM-8-V0	CBS-TMM-8-19	PA66 UL94V0	Natural	12.7	#6-32	1000
42008	GCBS-TMM-10-V0	CBS-TMM-10-19	PA66 UL94V0	Natural	15.9	#6-32	1000
42009	GCBS-TMM-12-V0	CBS-TMM-12-19	PA66 UL94V0	Natural	19.1	#6-32	1000
42010	GCBS-TMM-14-V0	CBS-TMM-14-19	PA66 UL94V0	Natural	22.2	#6-32	1000
42011	GCBS-TMM-16-V0	CBS-TMM-16-19	PA66 UL94V0	Natural	25.4	#6-32	1000
41998	GCBS-TMM-4-BV0	CBS-TMM-4-19BK	PA66 UL94V0	Black	6.4	#6-32	1000
41999	GCBS-TMM-6-BV0	CBS-TMM-6-19BK	PA66 UL94V0	Black	9.5	#6-32	1000
42000	GCBS-TMM-8-BV0	CBS-TMM-8-19BK	PA66 UL94V0	Black	12.7	#6-32	1000
42001	GCBS-TMM-10-BV0	CBS-TMM-10-19BK	PA66 UL94V0	Black	15.9	#6-32	1000
42002	GCBS-TMM-12-BV0	CBS-TMM-12-19BK	PA66 UL94V0	Black	19.1	#6-32	1000
42003	GCBS-TMM-14-BV0	CBS-TMM-14-19BK	PA66 UL94V0	Black	22.2	#6-32	1000
42004	GCBS-TMM-16-BV0	CBS-TMM-16-19BK	PA66 UL94V0	Black	25.4	#6-32	1000

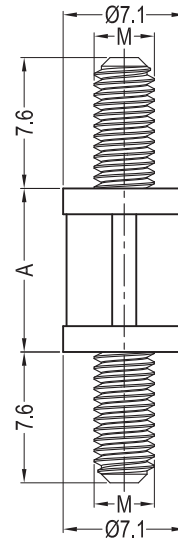
Material: PA66 UL94V2 (GMS-01); PA66 UL94V0 (GMS-02)

THREADED SPACER

Circuit Board Stacking Spacer GCBS-TMM



GCBS-TMM



Sizes in mm

P/N.	Article No.	Cross-Ref.	Material	Color	A	Thread M	Packing Unit
42739	GCBS-TMM-M4-4-66	CBS-TMM-M4-4-01	PA66 UL94V2	Natural	6.4	M4	1000
42740	GCBS-TMM-M4-6-66	CBS-TMM-M4-6-01	PA66 UL94V2	Natural	9.5	M4	1000
42741	GCBS-TMM-M4-8-66	CBS-TMM-M4-8-01	PA66 UL94V2	Natural	12.7	M4	1000
42742	GCBS-TMM-M4-10-66	CBS-TMM-M4-10-01	PA66 UL94V2	Natural	15.9	M4	1000
42743	GCBS-TMM-M4-12-66	CBS-TMM-M4-12-01	PA66 UL94V2	Natural	19.1	M4	1000
42744	GCBS-TMM-M4-14-66	CBS-TMM-M4-14-01	PA66 UL94V2	Natural	22.2	M4	1000
42745	GCBS-TMM-M4-16-66	CBS-TMM-M4-16-01	PA66 UL94V2	Natural	25.4	M4	1000
43239	GCBS-TMM-M4-4-66B	CBS-TMM-M4-4-01BK	PA66 UL94V2	Black	6.4	M4	1000
43240	GCBS-TMM-M4-6-66B	CBS-TMM-M4-6-01BK	PA66 UL94V2	Black	9.5	M4	1000
43241	GCBS-TMM-M4-8-66B	CBS-TMM-M4-8-01BK	PA66 UL94V2	Black	12.7	M4	1000
43242	GCBS-TMM-M4-10-66B	CBS-TMM-M4-10-01BK	PA66 UL94V2	Black	15.9	M4	1000
43243	GCBS-TMM-M4-12-66B	CBS-TMM-M4-12-01BK	PA66 UL94V2	Black	19.1	M4	1000
43244	GCBS-TMM-M4-14-66B	CBS-TMM-M4-14-01BK	PA66 UL94V2	Black	22.2	M4	1000
43245	GCBS-TMM-M4-16-66B	CBS-TMM-M4-16-01BK	PA66 UL94V2	Black	25.4	M4	1000
43246	GCBS-TMM-M4-4-V0	CBS-TMM-M4-4-19	PA66 UL94V0	Natural	6.4	M4	1000
43247	GCBS-TMM-M4-6-V0	CBS-TMM-M4-6-19	PA66 UL94V0	Natural	9.5	M4	1000
43248	GCBS-TMM-M4-8-V0	CBS-TMM-M4-8-19	PA66 UL94V0	Natural	12.7	M4	1000
43249	GCBS-TMM-M4-10-V0	CBS-TMM-M4-10-19	PA66 UL94V0	Natural	15.9	M4	1000
43250	GCBS-TMM-M4-12-V0	CBS-TMM-M4-12-19	PA66 UL94V0	Natural	19.1	M4	1000
43251	GCBS-TMM-M4-14-V0	CBS-TMM-M4-14-19	PA66 UL94V0	Natural	22.2	M4	1000
43252	GCBS-TMM-M4-16-V0	CBS-TMM-M4-16-19	PA66 UL94V0	Natural	25.4	M4	1000
43253	GCBS-TMM-M4-4-BV0	CBS-TMM-M4-4-19BK	PA66 UL94V0	Black	6.4	M4	1000
43254	GCBS-TMM-M4-6-BV0	CBS-TMM-M4-6-19BK	PA66 UL94V0	Black	9.5	M4	1000
43255	GCBS-TMM-M4-8-BV0	CBS-TMM-M4-8-19BK	PA66 UL94V0	Black	12.7	M4	1000
43256	GCBS-TMM-M4-10-BV0	CBS-TMM-M4-10-19BK	PA66 UL94V0	Black	15.9	M4	1000
43257	GCBS-TMM-M4-12-BV0	CBS-TMM-M4-12-19BK	PA66 UL94V0	Black	19.1	M4	1000
43258	GCBS-TMM-M4-14-BV0	CBS-TMM-M4-14-19BK	PA66 UL94V0	Black	22.2	M4	1000
43259	GCBS-TMM-M4-16-BV0	CBS-TMM-M4-16-19BK	PA66 UL94V0	Black	25.4	M4	1000

Material: PA66 UL94V2 (GMS-01); PA66 UL94V0 (GMS-02)



sales@sucatec.com

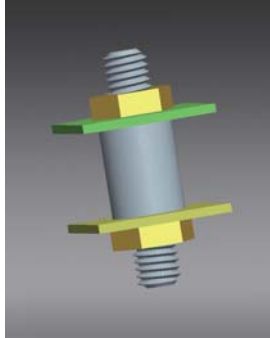


www.sucatec.com

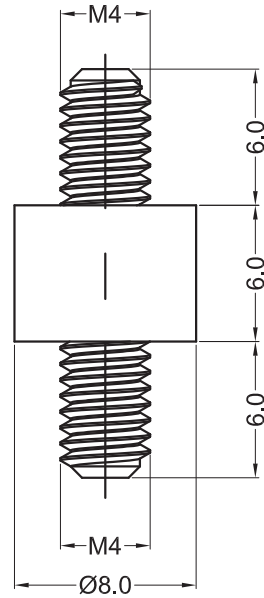
THREADED SPACER

Round Male-Male Spacer GRTS-MM-M4-8-6

A



GRTS-MM



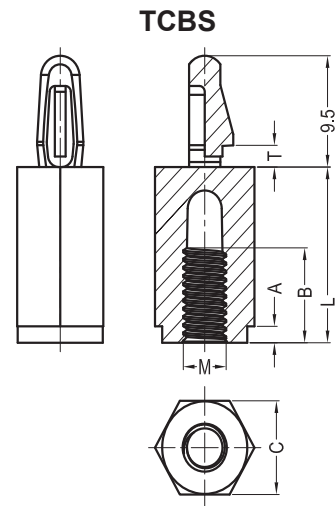
Sizes in mm

<u>P/N.</u>	<u>Article No.</u>	<u>Material</u>	<u>Color</u>	<u>Thread</u>	<u>Packing Unit</u>
40616	GRTS-MM-M4-8-6	PA66 UL94V2	Natural	M4	1000

Material: PA66 UL94V2 (GMS-01)

THREADED SPACER

Metric Threaded Circuit Board Support TCBS Black



Top Hole: 4.0±0.08mm
Panel Thickness: See Table

Sizes in mm

P/N.	Article No.	Cross-Ref.	Material	A	B	C	L	T	Panel Thickness	Thread M	Packing Unit
42951	TCBS-M3-6-5-T1.7	TCBN-T1-M3-6-5	PA66 UL94V2	0.5	3.0	6.0	5.0	1.7	1.5-1.6	M3	1000
42952	TCBS-M3-6-6-T1.7	TCBN-T1-M3-6-6	PA66 UL94V2	0.5	4.0	6.0	6.0	1.7	1.5-1.6	M3	1000
42953	TCBS-M3-6-7-T1.7	TCBN-T1-M3-6-7	PA66 UL94V2	2.2	4.0	6.0	7.0	1.7	1.5-1.6	M3	1000
42954	TCBS-M3-6-9-T1.7	TCBN-T1-M3-6-9	PA66 UL94V2	1.5	6.0	6.0	9.0	1.7	1.5-1.6	M3	1000
42115	TCBS-M3-6-10-T1.7	TCBN-T1-M3-6-10	PA66 UL94V2	1.5	8.0	6.0	10.0	1.7	1.5-1.6	M3	1000
42955	TCBS-M3-6-12-T1.7	TCBN-T1-M3-6-12	PA66 UL94V2	1.35	10.0	6.0	12.0	1.7	1.5-1.6	M3	1000
42637	TCBS-M3-6-15C-T1.7	TCBN-T1-M3-6-15	PA66 UL94V2	1.35	7.6	6.0	15.0	1.7	1.5-1.6	M3	1000
41284	TCBS-M3-6-15-T1.7	-	PA66 UL94V2	2.2	7.6	6.0	15.0	1.7	1.5-1.6	M3	1000
43467	TCBS-M3-6-17-T1.8	TCBN-T1-M3-6-17	PA66 UL94V2	2.2	10.0	6.0	17.0	1.8	1.6-1.7	M3	1000
42956	TCBS-M3-6-18-T1.7	TCBN-T1-M3-6-18	PA66 UL94V2	2.2	10.0	6.0	18.0	1.7	1.5-1.6	M3	1000
41286	TCBS-M3-6-20-T1.8	TCBN-T1-M3-6-20	PA66 UL94V2	2.2	10.0	6.0	20.0	1.8	1.6-1.7	M3	1000
42554	TCBS-M3-6-22-T1.8	TCBN-T1-M3-6-22	PA66 UL94V2	2.2	10.0	6.0	22.0	1.8	1.6-1.7	M3	1000
42555	TCBS-M3-6-25-T1.8	TCBN-T1-M3-6-25	PA66 UL94V2	2.2	10.0	6.0	25.0	1.8	1.6-1.7	M3	1000
42958	TCBS-M3-6-30-T1.7	TCBN-T1-M3-6-30	PA66 UL94V2	2.2	10.0	6.0	30.0	1.7	1.5-1.6	M3	1000
43458	TCBS-M3-6-31-T1.7	TCBN-T1-M3-6-31	PA66 UL94V2	2.2	10.0	6.0	31.0	1.7	1.5-1.6	M3	1000
43459	TCBS-M3-6-35-T1.7	TCBN-T1-M3-6-35	PA66 UL94V2	2.2	10.0	6.0	35.0	1.7	1.5-1.6	M3	1000
42959	TCBS-M3-6-40-T1.7	TCBN-T1-M3-6-40	PA66 UL94V2	2.2	10.0	6.0	40.0	1.7	1.5-1.6	M3	1000
42960	TCBS-M3-6-45-T1.7	TCBN-T1-M3-6-45	PA66 UL94V2	2.2	10.0	6.0	45.0	1.7	1.5-1.6	M3	1000
41287	TCBS-M3-6-8-T2	-	PA66 UL94V2	1.5	6.0	6.0	8.0	2.0	1.8-1.9	M3	1000
42271	TCBS-M3-6-12-T2	-	PA66 UL94V2	1.35	10.0	6.0	12.0	2.0	1.8-1.9	M3	1000
42272	TCBS-M3-6-14-T2	-	PA66 UL94V2	1.35	10.0	6.0	14.0	2.0	1.8-1.9	M3	1000
42273	TCBS-M3-6-15-T2	-	PA66 UL94V2	1.35	10.0	6.0	15.0	2.0	1.8-1.9	M3	1000
42961	TCBS-M3-6-6-T2.2	TCBN-T2-M3-6-6	PA66 UL94V2	0.5	4.0	6.0	6.0	2.2	2.0-2.1	M3	1000
42962	TCBS-M3-6-8-T2.2	TCBN-T2-M3-6-8	PA66 UL94V2	1.5	6.0	6.0	8.0	2.2	2.0-2.1	M3	1000
42963	TCBS-M3-6-10-T2.2	TCBN-T2-M3-6-10	PA66 UL94V2	1.5	8.0	6.0	10.0	2.2	2.0-2.1	M3	1000
42964	TCBS-M3-6-25-T2.2	TCBN-T2-M3-6-25	PA66 UL94V2	2.2	10.0	6.0	25.0	2.2	2.0-2.1	M3	1000
42965	TCBS-M3-6-50-T2.2	TCBN-T2-M3-6-50	PA66 UL94V2	2.2	10.0	6.0	50.0	2.2	2.0-2.1	M3	1000
42876	TCBS-M3-8-5-T1.7	TCBN-T1-M3-8-5	PA66 UL94V2	1.0	3.0	8.0	5.0	1.7	1.5-1.6	M3	1000
42966	TCBS-M3-8-7-T1.7	TCBN-T1-M3-8-7	PA66 UL94V2	1.0	4.0	8.0	7.0	1.7	1.5-1.6	M3	1000
40032	TCBS-M3-8-8-T1.7	TCBN-T1-M3-8-8	PA66 UL94V2	1.5	6.0	8.0	8.0	1.7	1.5-1.6	M3	1000
43165	TCBS-M3-8-10-T1.7	TCBN-T1-M3-8-10	PA66 UL94V2	1.5	8.0	8.0	10.0	1.7	1.5-1.6	M3	1000
42967	TCBS-M3-8-12-T1.7	TCBN-T1-M3-8-12	PA66 UL94V2	1.5	10.0	8.0	12.0	1.7	1.5-1.6	M3	1000
41285	TCBS-M3-8-23-T1.7	TCBN-T1-M3-8-23	PA66 UL94V2	4.5	10.0	8.0	23.0	1.7	1.5-1.6	M3	1000
42968	TCBS-M3-8-8-T2.2	TCBN-T2-M3-8-8	PA66 UL94V2	1.5	6.0	8.0	8.0	2.2	2.0-2.1	M3	1000
42969	TCBS-M3-8-12-T2.2	TCBN-T2-M3-8-12	PA66 UL94V2	1.5	10.0	8.0	12.0	2.2	2.0-2.1	M3	1000
42970	TCBS-M4-8-5-T1.7	TCBN-T1-M4-8-5	PA66 UL94V2	1.2	4.0	8.0	5.0	1.7	1.5-1.6	M4	1000
42609	TCBS-M4-8-6-T1.7	TCBN-T1-M4-8-6	PA66 UL94V2	1.2	4.0	8.0	6.0	1.7	1.5-1.6	M4	1000

Material: PA66 UL94V2 (GMS-01)



THREADED SPACER

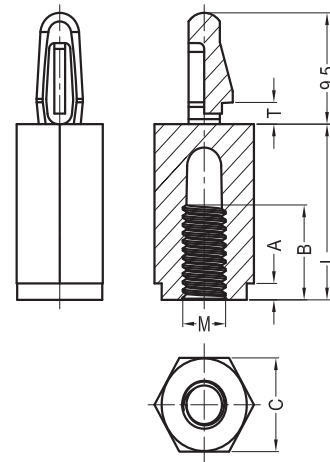
Metric Threaded Circuit Board Support

TCBS Black

A



TCBS



Top Hole: 4.0±0.08mm
Panel Thickness: See Table

Sizes in mm

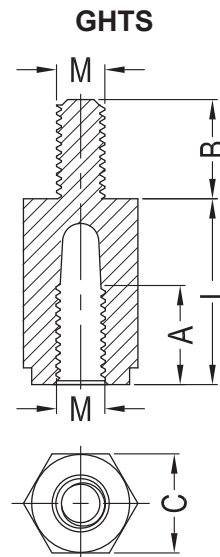
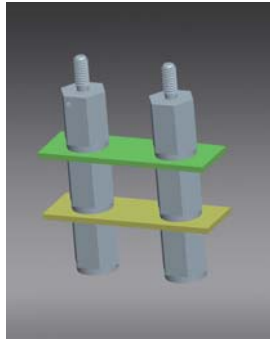
P/N.	Article No.	Cross-Ref.	Material	A	B	C	L	T	Panel Thickness	Thread M	Packing Unit
42971	TCBS-M4-8-7-T1.7	TCBN-T1-M4-8-7	PA66 UL94V2	1.2	4.0	8.0	7.0	1.7	1.5-1.6	M4	1000
42972	TCBS-M4-8-8-T1.7	TCBN-T1-M4-8-8	PA66 UL94V2	1.4	6.0	8.0	8.0	1.7	1.5-1.6	M4	1000
42973	TCBS-M4-8-9-T1.7	TCBN-T1-M4-8-9	PA66 UL94V2	2.2	7.0	8.0	9.0	1.7	1.5-1.6	M4	1000
40791	TCBS-M4-8-10-T1.7	TCBN-T1-M4-8-10	PA66 UL94V2	1.4	8.0	8.0	10.0	1.7	1.5-1.6	M4	1000
42178	TCBS-M4-8-12-T1.8	TCBN-T1-M4-8-12	PA66 UL94V2	1.4	10.0	8.0	12.0	1.8	1.6-1.7	M4	1000
42685	TCBS-M4-8-13-T1.8	TCBN-T1-M4-8-13	PA66 UL94V2	1.4	10.0	8.0	13.0	1.8	1.6-1.7	M4	1000
41289	TCBS-M4-8-15-T1.7	TCBN-T1-M4-8-15	PA66 UL94V2	1.4	8.0	8.0	15.0	1.7	1.5-1.6	M4	1000
42974	TCBS-M4-8-18-T1.7	TCBN-T1-M4-8-18	PA66 UL94V2	2.2	10.0	8.0	18.0	1.7	1.5-1.6	M4	1000
42975	TCBS-M4-8-20-T1.7	TCBN-T1-M4-8-20	PA66 UL94V2	1.4	10.0	8.0	20.0	1.7	1.5-1.6	M4	1000
42642	TCBS-M4-8-23-T1.8	TCBN-T1-M4-8-23	PA66 UL94V2	1.4	10.0	8.0	23.0	1.8	1.6-1.7	M4	1000
42976	TCBS-M4-8-25-T1.7	TCBN-T1-M4-8-25	PA66 UL94V2	1.4	10.0	8.0	25.0	1.7	1.5-1.6	M4	1000
42638	TCBS-M4-8-30C-T1.7	TCBN-T1-M4-8-30	PA66 UL94V2	1.8	10.0	8.0	30.0	1.7	1.5-1.6	M4	1000
41294	TCBS-M4-8-30-T1.7	-	PA66 UL94V2	5.0	10.0	8.0	30.0	1.7	1.5-1.6	M4	1000
41293	TCBS-M4-8-30-T1.8	TCBN-T1-M4-8-30	PA66 UL94V2	5.0	10.0	8.0	30.0	1.8	1.6-1.7	M4	1000
42977	TCBS-M4-8-40-T1.7	TCBN-T1-M4-8-40	PA66 UL94V2	5.0	10.0	8.0	40.0	1.7	1.5-1.6	M4	1000
42978	TCBS-M4-8-45-T1.7	TCBN-T1-M4-8-45	PA66 UL94V2	2.5	10.0	8.0	45.0	1.7	1.5-1.6	M4	1000
42686	TCBS-M4-8-50C-T1.7	TCBN-T1-M4-8-50	PA66 UL94V2	2.5	10.0	8.0	50.0	1.7	1.5-1.6	M4	1000
41283	TCBS-M4-8-50-T1.7	-	PA66 UL94V2	5.0	10.0	8.0	50.0	1.7	1.5-1.6	M4	1000
42979	TCBS-M4-8-60-T1.7	TCBN-T1-M4-8-60	PA66 UL94V2	5.0	10.0	8.0	60.0	1.7	1.5-1.6	M4	1000
41290	TCBS-M4-8-70-T1.7	TCBN-T1-M4-8-70	PA66 UL94V2	12.6	12.6	8.0	70.0	1.7	1.5-1.6	M4	500
42562	TCBS-M4-8-6-T2.2	TCBN-T2-M4-8-6	PA66 UL94V2	1.2	4.0	8.0	6.0	2.2	2.0-2.1	M4	1000
42980	TCBS-M4-8-7-T2.2	TCBN-T2-M4-8-7	PA66 UL94V2	1.2	4.0	8.0	7.0	2.2	2.0-2.1	M4	1000
42981	TCBS-M4-8-8-T2.2	TCBN-T2-M4-8-8	PA66 UL94V2	1.4	6.0	8.0	8.0	2.2	2.0-2.1	M4	1000
42243	TCBS-M4-8-9-T2.2	TCBN-T2-M4-8-9	PA66 UL94V2	2.2	7.0	8.0	9.0	2.2	2.0-2.1	M4	1000
42724	TCBS-M4-8-10-T2.2	TCBN-T2-M4-8-10	PA66 UL94V2	1.4	8.0	8.0	10.0	2.2	2.0-2.1	M4	1000
42982	TCBS-M4-8-12-T2.2	TCBN-T2-M4-8-12	PA66 UL94V2	1.4	10.0	8.0	12.0	2.2	2.0-2.1	M4	1000
42274	TCBS-M4-8-14-T2.2	TCBN-T2-M4-8-14	PA66 UL94V2	1.4	10.0	8.0	14.0	2.2	2.0-2.1	M4	1000
42471	TCBS-M4-8-18-T2.2	TCBN-T2-M4-8-18	PA66 UL94V2	2.2	10.0	8.0	18.0	2.2	2.0-2.1	M4	1000
42983	TCBS-M4-8-25-T2.2	TCBN-T2-M4-8-25	PA66 UL94V2	1.4	10.0	8.0	25.0	2.2	2.0-2.1	M4	1000
41291	TCBS-M4-8-30-T2.2	TCBN-T2-M4-8-30	PA66 UL94V2	5.0	10.0	8.0	30.0	2.2	2.0-2.1	M4	1000
41292	TCBS-M4-8-35-T2.2	TCBN-T2-M4-8-35	PA66 UL94V2	5.0	10.0	8.0	35.0	2.2	2.0-2.1	M4	1000
42984	TCBS-M4-8-45-T2.2	TCBN-T2-M4-8-45	PA66 UL94V2	2.5	10.0	8.0	45.0	2.2	2.0-2.1	M4	1000
42985	TCBS-M4-8-50-T2.2	TCBN-T2-M4-8-50	PA66 UL94V2	2.5	10.0	8.0	50.0	2.2	2.0-2.1	M4	1000

Material: PA66 UL94V2 (GMS-01)



THREADED SPACER

Hex Threaded Standoff GHTS



Sizes in mm

P/N.	Article No.	Cross-Ref.	Material	Color	A	B	C	L	Thread M	Packing Unit
42903	GHTS-M2.5-5-5B	HTSN-M2.5-5-5-2	PA66 UL94V2	Black	3.0	8.0	5.0	5.0	M2.5	1000
43138	GHTS-M2.5-5-5N	-	PA66 UL94V2	Natural	3.0	8.0	5.0	5.0	M2.5	1000
42180	GHTS-M2.5-5-8B	-	PA66 UL94V2	Black	6.0	3.0	5.0	8.0	M2.5	1000
42105	GHTS-M2.5-5-8N	-	PA66 UL94V2	Natural	6.0	3.0	5.0	8.0	M2.5	1000
42815	GHTS-M2.5-5-8-8B	HTSN-M2.5-8-5-2	PA66 UL94V2	Black	6.0	8.0	5.0	8.0	M2.5	1000
40614	GHTS-M2.5-5-8-8N	-	PA66 UL94V2	Natural	6.0	8.0	5.0	8.0	M2.5	1000
42904	GHTS-M2.5-5-10B	HTSN-M2.5-10-5-2	PA66 UL94V2	Black	8.0	8.0	5.0	10.0	M2.5	1000
43139	GHTS-M2.5-5-10N	-	PA66 UL94V2	Natural	8.0	8.0	5.0	10.0	M2.5	1000
42905	GHTS-M3-5.5-5B	HTSN-M3-5.5-5-2	PA66 UL94V2	Black	3.0	8.0	5.5	5.0	M3	1000
43140	GHTS-M3-5.5-5N	-	PA66 UL94V2	Natural	3.0	8.0	5.5	5.0	M3	1000
42906	GHTS-M3-5.5-8B	HTSN-M3-8-5.5-2	PA66 UL94V2	Black	6.0	8.0	5.5	8.0	M3	1000
43141	GHTS-M3-5.5-8N	-	PA66 UL94V2	Natural	6.0	8.0	5.5	8.0	M3	1000
42907	GHTS-M3-5.5-10B	HTSN-M3-10-5.5-2	PA66 UL94V2	Black	8.0	8.0	5.5	10.0	M3	1000
43142	GHTS-M3-5.5-10N	-	PA66 UL94V2	Natural	8.0	8.0	5.5	10.0	M3	1000
42908	GHTS-M3-5.5-12B	HTSN-M3-12-5.5-2	PA66 UL94V2	Black	8.0	8.0	5.5	12.0	M3	1000
43143	GHTS-M3-5.5-12N	-	PA66 UL94V2	Natural	8.0	8.0	5.5	12.0	M3	1000
42909	GHTS-M3-5.5-15B	HTSN-M3-15-5.5-2	PA66 UL94V2	Black	8.0	8.0	5.5	15.0	M3	1000
43144	GHTS-M3-5.5-15N	-	PA66 UL94V2	Natural	8.0	8.0	5.5	15.0	M3	1000
42910	GHTS-M3-5.5-20B	HTSN-M3-20-5.5-2	PA66 UL94V2	Black	8.0	8.0	5.5	20.0	M3	1000
43145	GHTS-M3-5.5-20N	-	PA66 UL94V2	Natural	8.0	8.0	5.5	20.0	M3	1000
42911	GHTS-M3-5.5-25B	HTSN-M3-25-5.5-2	PA66 UL94V2	Black	8.0	8.0	5.5	25.0	M3	1000
43146	GHTS-M3-5.5-25N	-	PA66 UL94V2	Natural	8.0	8.0	5.5	25.0	M3	1000
42912	GHTS-M3-5.5-35B	HTSN-M3-35-5.5-2	PA66 UL94V2	Black	8.0	8.0	5.5	35.0	M3	1000
43147	GHTS-M3-5.5-35N	-	PA66 UL94V2	Natural	8.0	8.0	5.5	35.0	M3	1000
42913	GHTS-M3-6-5B	HTSN-M3-5-6-2	PA66 UL94V2	Black	3.0	8.0	6.0	5.0	M3	1000
43148	GHTS-M3-6-5N	-	PA66 UL94V2	Natural	3.0	8.0	6.0	5.0	M3	1000
40715	GHTS-M3-6-6B	HTSN-M3-6-6-2	PA66 UL94V2	Black	4.0	8.0	6.0	6.0	M3	1000
41304	GHTS-M3-6-6N	-	PA66 UL94V2	Natural	4.0	8.0	6.0	6.0	M3	1000
40716	GHTS-M3-6-8B	HTSN-M3-8-6-2	PA66 UL94V2	Black	6.0	8.0	6.0	8.0	M3	1000
41305	GHTS-M3-6-8N	-	PA66 UL94V2	Natural	6.0	8.0	6.0	8.0	M3	1000

Material: PA66 UL94V2 (GMS-01)



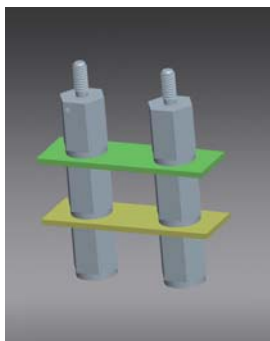
sales@sucatec.com



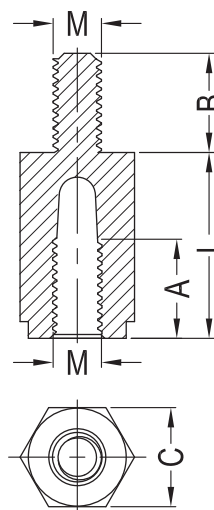
www.sucatec.com

THREADED SPACER

Hex Threaded Standoff GHTS



GHTS



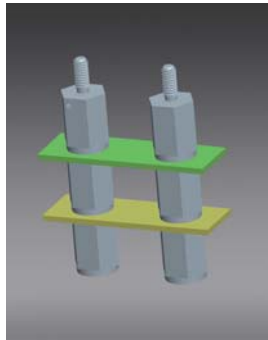
Sizes in mm

P/N.	Article No.	Cross-Ref.	Material	Color	A	B	C	L	Thread M	Packing Unit
42106	GHTS-M3-6-8-6.3B	-	PA66 UL94V2	Black	6.0	6.3	6.0	8.0	M3	1000
41320	GHTS-M3-6-8-6.3N	NTS-8	PA66 UL94V2	Natural	6.0	6.3	6.0	8.0	M3	1000
40696	GHTS-M3-6-10B	HTSN-M3-10-6-2	PA66 UL94V2	Black	8.0	8.0	6.0	10.0	M3	1000
41306	GHTS-M3-6-10N	-	PA66 UL94V2	Natural	8.0	8.0	6.0	10.0	M3	1000
40796	GHTS-M3-6-12B	HTSN-M3-12-6-2	PA66 UL94V2	Black	10.0	8.0	6.0	12.0	M3	1000
42213	GHTS-M3-6-12N	-	PA66 UL94V2	Natural	10.0	8.0	6.0	12.0	M3	1000
40788	GHTS-M3-6-13B	HTSN-M3-13-6-2	PA66 UL94V2	Black	10.0	8.0	6.0	13.0	M3	1000
42214	GHTS-M3-6-13N	-	PA66 UL94V2	Natural	10.0	8.0	6.0	13.0	M3	1000
41342	GHTS-M3-6-15B	HTSN-M3-15-6-2	PA66 UL94V2	Black	10.0	8.0	6.0	15.0	M3	1000
42215	GHTS-M3-6-15N	-	PA66 UL94V2	Natural	10.0	8.0	6.0	15.0	M3	1000
40789	GHTS-M3-6-16B	HTSN-M3-16-6-2	PA66 UL94V2	Black	10.0	8.0	6.0	16.0	M3	1000
42216	GHTS-M3-6-16N	-	PA66 UL94V2	Natural	10.0	8.0	6.0	16.0	M3	1000
43580	GHTS-M3-6-17B	HTSN-M3-17-6-2	PA66 UL94V2	Black	10.0	8.0	6.0	17.0	M3	1000
43581	GHTS-M3-6-17N	-	PA66 UL94V2	Natural	10.0	8.0	6.0	17.0	M3	1000
40787	GHTS-M3-6-18B	HTSN-M3-18-6-2	PA66 UL94V2	Black	10.0	8.0	6.0	18.0	M3	1000
42217	GHTS-M3-6-18N	-	PA66 UL94V2	Natural	10.0	8.0	6.0	18.0	M3	1000
40718	GHTS-M3-6-20B	HTSN-M3-20-6-2	PA66 UL94V2	Black	10.0	8.0	6.0	20.0	M3	1000
41307	GHTS-M3-6-20N	-	PA66 UL94V2	Natural	10.0	8.0	6.0	20.0	M3	1000
40719	GHTS-M3-6-22B	HTSN-M3-22-6-2	PA66 UL94V2	Black	10.0	8.0	6.0	22.0	M3	1000
41308	GHTS-M3-6-22N	-	PA66 UL94V2	Natural	10.0	8.0	6.0	22.0	M3	1000
42914	GHTS-M3-6-25B	HTSN-M3-25-6-2	PA66 UL94V2	Black	10.0	8.0	6.0	25.0	M3	1000
43149	GHTS-M3-6-25N	-	PA66 UL94V2	Natural	10.0	8.0	6.0	25.0	M3	1000
43213	GHTS-M3-6-27B	HTSN-M3-27-6-2	PA66 UL94V2	Black	10.0	8.0	6.0	27.0	M3	1000
43216	GHTS-M3-6-27N	-	PA66 UL94V2	Natural	10.0	8.0	6.0	27.0	M3	1000
42200	GHTS-M3-6-30B	HTSN-M3-30-6-2	PA66 UL94V2	Black	10.0	8.0	6.0	30.0	M3	1000
41309	GHTS-M3-6-30N	-	PA66 UL94V2	Natural	10.0	8.0	6.0	30.0	M3	1000
42915	GHTS-M3-6-35B	HTSN-M3-35-6-2	PA66 UL94V2	Black	10.0	8.0	6.0	35.0	M3	1000
43150	GHTS-M3-6-35N	-	PA66 UL94V2	Natural	10.0	8.0	6.0	35.0	M3	1000
40714	GHTS-M3-6-40B	HTSN-M3-40-6-2	PA66 UL94V2	Black	10.0	8.0	6.0	40.0	M3	1000
42107	GHTS-M3-6-40N	-	PA66 UL94V2	Natural	10.0	8.0	6.0	40.0	M3	1000
42916	GHTS-M3-8-8B	HTSN-M3-5-8-2	PA66 UL94V2	Black	6.0	8.0	8.0	8.0	M3	1000
43151	GHTS-M3-8-8N	-	PA66 UL94V2	Natural	6.0	8.0	8.0	8.0	M3	1000

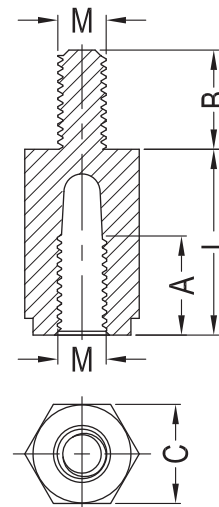
Material: PA66 UL94V2 (GMS-01)

THREADED SPACER

Hex Threaded Standoff GHTS



GHTS



Sizes in mm

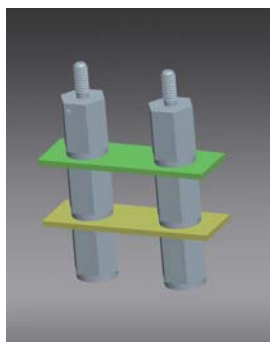
P/N.	Article No.	Cross-Ref.	Material	Color	A	B	C	L	Thread M	Packing Unit
42917	GHTS-M3-8-10B	HTSN-M3-10-8-2	PA66 UL94V2	Black	8.0	8.0	8.0	10.0	M3	1000
43152	GHTS-M3-8-10N	-	PA66 UL94V2	Natural	8.0	8.0	8.0	10.0	M3	1000
42918	GHTS-M3-8-20B	HTSN-M3-20-8-2	PA66 UL94V2	Black	8.0	8.0	8.0	20.0	M3	1000
43153	GHTS-M3-8-20N	-	PA66 UL94V2	Natural	8.0	8.0	8.0	20.0	M3	1000
42919	GHTS-M3-8-35B	HTSN-M3-35-8-2	PA66 UL94V2	Black	8.0	8.0	8.0	35.0	M3	1000
43154	GHTS-M3-8-35N	-	PA66 UL94V2	Natural	8.0	8.0	8.0	35.0	M3	1000
41075	GHTS-M4-7-45B	HTSN-M4-45-7-2	PA66 UL94V2	Black	8.0	6.0	7.0	45.0	M4	1000
42207	GHTS-M4-7-45N	-	PA66 UL94V2	Natural	8.0	6.0	7.0	45.0	M4	1000
42920	GHTS-M4-8-5B	HTSN-M4-5-8-2	PA66 UL94V2	Black	3.0	8.0	8.0	5.0	M4	1000
43155	GHTS-M4-8-5N	-	PA66 UL94V2	Natural	3.0	8.0	8.0	5.0	M4	1000
40765	GHTS-M4-8-7B	HTSN-M4-7-8-2	PA66 UL94V2	Black	5.5	8.0	8.0	7.0	M4	1000
41310	GHTS-M4-8-7N	-	PA66 UL94V2	Natural	5.5	8.0	8.0	7.0	M4	1000
42138	GHTS-M4-8-8B	HTSN-M4-8-8-2	PA66 UL94V2	Black	6.0	8.0	8.0	8.0	M4	1000
41319	GHTS-M4-8-8N	-	PA66 UL94V2	Natural	6.0	8.0	8.0	8.0	M4	1000
40766	GHTS-M4-8-10B	HTSN-M4-10-8-2	PA66 UL94V2	Black	8.0	8.0	8.0	10.0	M4	1000
41311	GHTS-M4-8-10N	-	PA66 UL94V2	Natural	8.0	8.0	8.0	10.0	M4	1000
42156	GHTS-M4-8-12B	HTSN-M4-12-8-2	PA66 UL94V2	Black	8.0	8.0	8.0	12.0	M4	1000
42208	GHTS-M4-8-12N	-	PA66 UL94V2	Natural	8.0	8.0	8.0	12.0	M4	1000
43214	GHTS-M4-8-13B	HTSN-M4-13-8-2	PA66 UL94V2	Black	8.0	8.0	8.0	13.0	M4	1000
43217	GHTS-M4-8-13N	-	PA66 UL94V2	Natural	8.0	8.0	8.0	13.0	M4	1000
42139	GHTS-M4-8-15B	HTSN-M4-15-8-2	PA66 UL94V2	Black	8.0	8.0	8.0	15.0	M4	1000
41312	GHTS-M4-8-15N	-	PA66 UL94V2	Natural	8.0	8.0	8.0	15.0	M4	1000
42921	GHTS-M4-8-18B	HTSN-M4-18-8-2	PA66 UL94V2	Black	8.0	8.0	8.0	18.0	M4	1000
43156	GHTS-M4-8-18N	-	PA66 UL94V2	Natural	8.0	8.0	8.0	18.0	M4	1000
41299	GHTS-M4-8-20B	HTSN-M4-20-8-2	PA66 UL94V2	Black	10.0	8.0	8.0	20.0	M4	1000
41322	GHTS-M4-8-20N	-	PA66 UL94V2	Natural	10.0	8.0	8.0	20.0	M4	1000
41300	GHTS-M4-8-25B	HTSN-M4-25-8-2	PA66 UL94V2	Black	10.0	8.0	8.0	25.0	M4	1000
41324	GHTS-M4-8-25N	-	PA66 UL94V2	Natural	10.0	8.0	8.0	25.0	M4	1000
40695	GHTS-M4-8-30B	HTSN-M4-30-8-2	PA66 UL94V2	Black	10.0	8.0	8.0	30.0	M4	1000
41321	GHTS-M4-8-30N	-	PA66 UL94V2	Natural	10.0	8.0	8.0	30.0	M4	1000

Material: PA66 UL94V2 (GMS-01)

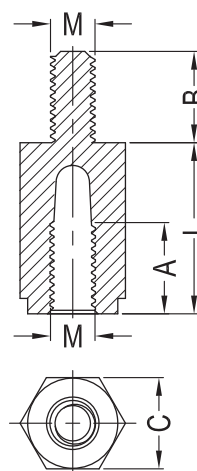


THREADED SPACER

Hex Threaded Standoff GHTS



GHTS



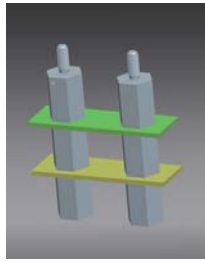
Sizes in mm

P/N.	Article No.	Cross-Ref.	Material	Color	A	B	C	L	Thread M	Packing Unit
42168	GHTS-M4-8-32B	HTSN-M4-32-8-2	PA66 UL94V2	Black	10.0	8.0	8.0	32.0	M4	1000
42209	GHTS-M4-8-32N	-	PA66 UL94V2	Natural	10.0	8.0	8.0	32.0	M4	1000
40602	GHTS-M4-8-34B	HTSN-M4-34-8-2	PA66 UL94V2	Black	10.0	8.0	8.0	34.0	M4	1000
40685	GHTS-M4-8-34N	-	PA66 UL94V2	Natural	10.0	8.0	8.0	34.0	M4	1000
41301	GHTS-M4-8-35B	HTSN-M4-35-8-2	PA66 UL94V2	Black	10.0	8.0	8.0	35.0	M4	1000
41325	GHTS-M4-8-35N	-	PA66 UL94V2	Natural	10.0	8.0	8.0	35.0	M4	1000
40786	GHTS-M4-8-36B	HTSN-M4-36-8-2	PA66 UL94V2	Black	10.0	8.0	8.0	36.0	M4	1000
42210	GHTS-M4-8-36N	-	PA66 UL94V2	Natural	10.0	8.0	8.0	36.0	M4	1000
40768	GHTS-M4-8-40B	HTSN-M4-40-8-2	PA66 UL94V2	Black	10.0	8.0	8.0	40.0	M4	1000
41313	GHTS-M4-8-40N	-	PA66 UL94V2	Natural	10.0	8.0	8.0	40.0	M4	1000
40769	GHTS-M4-8-42B	HTSN-M4-42-8-2	PA66 UL94V2	Black	10.0	8.0	8.0	42.0	M4	1000
41314	GHTS-M4-8-42N	-	PA66 UL94V2	Natural	10.0	8.0	8.0	42.0	M4	1000
43200	GHTS-M4-8-45B	HTSN-M4-45-8-2	PA66 UL94V2	Black	10.0	8.0	8.0	45.0	M4	1000
43201	GHTS-M4-8-45N	-	PA66 UL94V2	Natural	10.0	8.0	8.0	45.0	M4	1000
40782	GHTS-M4-8-55B	HTSN-M4-55-8-2	PA66 UL94V2	Black	10.0	8.0	8.0	55.0	M4	500
42211	GHTS-M4-8-55N	-	PA66 UL94V2	Natural	10.0	8.0	8.0	55.0	M4	500
40783	GHTS-M5-10-10B	HTSN-M5-10-10-2	PA66 UL94V2	Black	8.0	8.0	10.0	10.0	M5	1000
41315	GHTS-M5-10-10N	-	PA66 UL94V2	Natural	8.0	8.0	10.0	10.0	M5	1000
40784	GHTS-M5-10-16B	HTSN-M5-16-10-2	PA66 UL94V2	Black	10.0	8.0	10.0	16.0	M5	1000
41316	GHTS-M5-10-16N	-	PA66 UL94V2	Natural	10.0	8.0	10.0	16.0	M5	1000
42922	GHTS-M5-10-25B	HTSN-M5-25-10-2	PA66 UL94V2	Black	10.0	8.0	10.0	25.0	M5	1000
43157	GHTS-M5-10-25N	-	PA66 UL94V2	Natural	10.0	8.0	10.0	25.0	M5	1000
40785	GHTS-M5-10-30B	HTSN-M5-30-10-2	PA66 UL94V2	Black	10.0	8.0	10.0	30.0	M5	1000
41317	GHTS-M5-10-30N	-	PA66 UL94V2	Natural	10.0	8.0	10.0	30.0	M5	1000
42923	GHTS-M5-10-35B	HTSN-M5-35-10-2	PA66 UL94V2	Black	10.0	8.0	10.0	35.0	M5	500
43158	GHTS-M5-10-35N	-	PA66 UL94V2	Natural	10.0	8.0	10.0	35.0	M5	500
41330	GHTS-M5-10-40B	HTSN-M5-40-10-2	PA66 UL94V2	Black	10.0	10.5	10.0	40.0	M5	500
41318	GHTS-M5-10-40N	-	PA66 UL94V2	Natural	10.0	10.5	10.0	40.0	M5	500
40770	GHTS-M5-10-50B	HTSN-M5-50-10-2	PA66 UL94V2	Black	10.0	8.0	10.0	50.0	M5	500
42212	GHTS-M5-10-50N	-	PA66 UL94V2	Natural	10.0	8.0	10.0	50.0	M5	500
43215	GHTS-M6-10-30B	-	PA66 UL94V2	Black	10.0	8.0	10.0	30.0	M6	1000
43218	GHTS-M6-10-30N	-	PA66 UL94V2	Natural	10.0	8.0	10.0	30.0	M6	1000

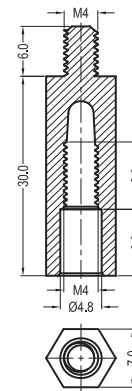
Material: PA66 UL94V2 (GMS-01)

THREADED SPACER

Hex Threaded Standoff GHTS-MF



GHTS-MF



Sizes in mm

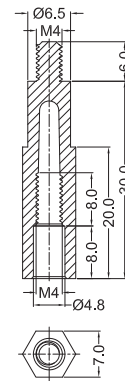
P/N.	Article No.	Material	Color	Thread	Packing Unit
41495	GHTS-MF-M4-7-30-BV0	PA66 UL94V0	Black	M4	1000
41384	GHTS-MF-M4-7-30-NV0	PA66 UL94V0	Natural	M4	1000

Material: PA66 UL94V0 (GMS-02)

Hex Threaded Standoff GHTS-SMF



GHTS-SMF

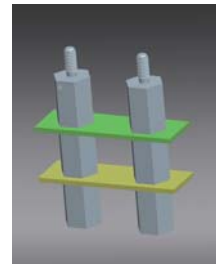


Sizes in mm

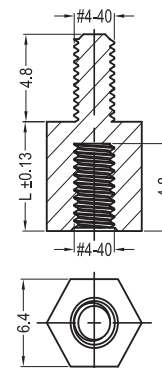
P/N.	Article No.	Material	Color	Thread	Packing Unit
42247	GHTS-SMF-M4-7-30-BV0	PA66 UL94V0	Black	M4	1000

Material: PA66 UL94V0 (GMS-02)

Hex Threaded Standoff GHTS-440



GHTS-440



Sizes in mm

P/N.	Article No.	Cross-Ref.	Material	Color	L	Thread	Packing Unit
40773	GHTS-440-6	MFTS4-4-48	PA66 UL94V2	Natural	6.0	#4-40	1000
40774	GHTS-440-8	MFTS4-5-48	PA66 UL94V2	Natural	8.0	#4-40	1000
42067	GHTS-440-11.1	MFTS4-7-48	PA66 UL94V2	Natural	11.1	#4-40	1000
40771	GHTS-440-6-V0	MFTS4-4-19	PA66 UL94V0	Natural	6.0	#4-40	1000
40772	GHTS-440-8-V0	MFTS4-5-19	PA66 UL94V0	Natural	8.0	#4-40	1000
42121	GHTS-440-11.1-V0	MFTS4-7-19	PA66 UL94V0	Natural	11.1	#4-40	1000

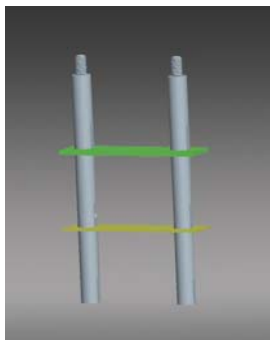
Material: PA66 UL94V2 (GMS-01); PA66 UL94V0 (GMS-02)



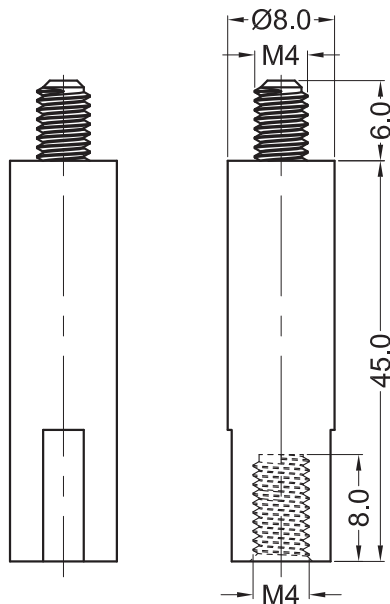
THREADED SPACER

Round Male-Female Spacer GRTS-M4-8-45

A



GRTS-M4-8-45



Sizes in mm

<u>P/N.</u>	<u>Article No.</u>	<u>Material</u>	<u>Color</u>	<u>Thread</u>	<u>Packing Unit</u>
40617	GRTS-M4-8-45	PA66 UL94V2	Natural	M4	1000

Material: PA66 UL94V2 (GMS-01)

THREADED SPACER

Hexagonal Female-Female Spacer GHTS-FF



GHTS-FF

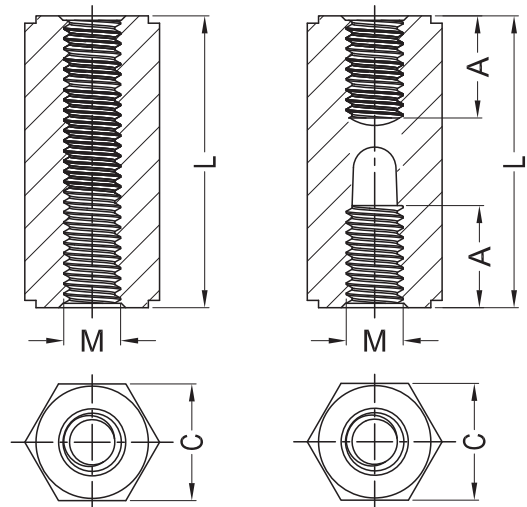


Fig.1

Fig.2

Sizes in mm

P/N.	Article No.	Cross-Ref.	Material	Color	A	C	L	Thread M	FIG.	Packing Unit
40961	GHTS-FF-M2-5-5B	HTSN-M2-5-5-1	PA6+GF UL94HB	Black	-	5.0	5.0	M2	1	1000
43121	GHTS-FF-M2-5-8B	HTSN-M2-8-5-1	PA6+GF UL94HB	Black	-	5.0	8.0	M2	1	1000
43123	GHTS-FF-M2-5-8BR	HTSN-M2-8-5-1-V0	PA66+GF UL94V0	Brown	-	5.0	8.0	M2	1	1000
40962	GHTS-FF-M2-5-10B	HTSN-M2-10-5-1	PA6+GF UL94HB	Black	-	5.0	10.0	M2	1	1000
42473	GHTS-FF-M2-5-10N	-	PA6+GF UL94HB	Natural	-	5.0	10.0	M2	1	1000
43320	GHTS-FF-M2-5-12B	HTSN-M2-12-5-1	PA6+GF UL94HB	Black	-	5.0	12.0	M2	1	1000
43124	GHTS-FF-M2-5-12BR	HTSN-M2-12-5-1-V0	PA66+GF UL94V0	Brown	-	5.0	12.0	M2	1	1000
40963	GHTS-FF-M2-5-13B	HTSN-M2-13-5-1	PA6+GF UL94HB	Black	-	5.0	13.0	M2	1	1000
43122	GHTS-FF-M2-5-15B	HTSN-M2-15-5-1	PA6+GF UL94HB	Black	-	5.0	15.0	M2	1	1000
43125	GHTS-FF-M2-5-15BR	HTSN-M2-15-5-1-V0	PA66+GF UL94V0	Brown	-	5.0	15.0	M2	1	1000
42928	GHTS-FF-M2.5-5-8B	HTSN-M2.5-8-5-1	PA6+GF UL94HB	Black	-	5.0	8.0	M2.5	1	1000
40873	GHTS-FF-M2.5-5-10B	HTSN-M2.5-10-5-1	PA6+GF UL94HB	Black	-	5.0	10.0	M2.5	1	1000
40031	GHTS-FF-M2.5-5-12B	HTSN-M2.5-12-5-1	PA6+GF UL94HB	Black	-	5.0	12.0	M2.5	1	1000
42163	GHTS-FF-M2.5-5-14B	HTSN-M2.5-14-5-1	PA6+GF UL94HB	Black	-	5.0	14.0	M2.5	1	1000
42929	GHTS-FF-M2.5-5-15B	HTSN-M2.5-15-5-1	PA6+GF UL94HB	Black	-	5.0	15.0	M2.5	1	1000
42930	GHTS-FF-M2.5-5-18B	HTSN-M2.5-18-5-1	PA6+GF UL94HB	Black	-	5.0	18.0	M2.5	1	1000
40866	GHTS-FF-M2.5-5-20B	HTSN-M2.5-20-5-1	PA6+GF UL94HB	Black	-	5.0	20.0	M2.5	1	1000
42384	GHTS-FF-M2.5-5-20-66N	-	PA66 UL94V2	Natural	-	5.0	20.0	M2.5	1	1000
42165	GHTS-FF-M2.5-5-25B	HTSN-M2.5-25-5-1	PA6+GF UL94HB	Black	10.0	5.0	25.0	M2.5	2	1000
42166	GHTS-FF-M2.5-5-28B	HTSN-M2.5-28-5-1	PA6+GF UL94HB	Black	10.0	5.0	28.0	M2.5	2	1000
42164	GHTS-FF-M2.5-5-30B	HTSN-M2.5-30-5-1	PA6+GF UL94HB	Black	10.0	5.0	30.0	M2.5	2	1000
42931	GHTS-FF-M3-5-5-5B	HTSN-M3-5-5-5-1	PA6+GF UL94HB	Black	-	5.5	5.0	M3	1	1000
42932	GHTS-FF-M3-5-5-8B	HTSN-M3-8-5-5-1	PA6+GF UL94HB	Black	-	5.5	8.0	M3	1	1000
42933	GHTS-FF-M3-5-5-10B	HTSN-M3-10-5-5-1	PA6+GF UL94HB	Black	-	5.5	10.0	M3	1	1000
42934	GHTS-FF-M3-5-5-12B	HTSN-M3-12-5-5-1	PA6+GF UL94HB	Black	-	5.5	12.0	M3	1	1000
42935	GHTS-FF-M3-5-5-15B	HTSN-M3-15-5-5-1	PA6+GF UL94HB	Black	-	5.5	15.0	M3	1	1000
42936	GHTS-FF-M3-5-5-18B	HTSN-M3-18-5-5-1	PA6+GF UL94HB	Black	-	5.5	18.0	M3	1	1000
42937	GHTS-FF-M3-5-5-20B	HTSN-M3-20-5-5-1	PA6+GF UL94HB	Black	-	5.5	20.0	M3	1	1000
43328	GHTS-FF-M3-5-5-21B	HTSN-M3-21-5-5-1	PA6+GF UL94HB	Black	10.0	5.5	21.0	M3	2	1000
42938	GHTS-FF-M3-5-5-25B	HTSN-M3-25-5-5-1	PA6+GF UL94HB	Black	10.0	5.5	25.0	M3	2	1000
42939	GHTS-FF-M3-5-5-30B	HTSN-M3-30-5-5-1	PA6+GF UL94HB	Black	10.0	5.5	30.0	M3	2	1000

Material: PA6+GF UL94HB (GMS-12); PA66+GF UL94V0 (GMS-20); PA66 UL94V0 (GMS-02); PA66 UL94V2 (GMS-01)



sales@sucatec.com



www.sucatec.com

Hexagonal Female-Female Spacer GHTS-FF

A

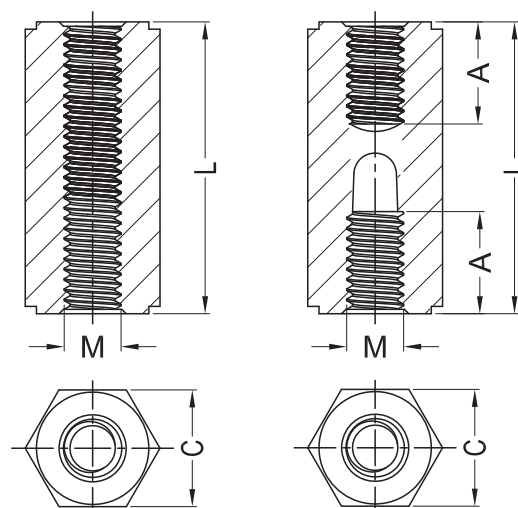


Fig.1

Fig.2

Sizes in mm

P/N.	Article No.	Cross-Ref.	Material	Color	A	C	L	Thread M	FIG.	Packing Unit
42940	GHTS-FF-M3-5.5-35B	HTSN-M3-35-5.5-1	PA6+GF UL94HB	Black	10.0	5.5	35.0	M3	2	1000
42167	GHTS-FF-M3-6-5B	HTSN-M3-5-6-1	PA6+GF UL94HB	Black	-	6.0	5.0	M3	1	1000
40867	GHTS-FF-M3-6-6B	HTSN-M3-6-6-1	PA6+GF UL94HB	Black	-	6.0	6.0	M3	1	1000
40793	GHTS-FF-M3-6-7B	HTSN-M3-7-6-1	PA6+GF UL94HB	Black	-	6.0	7.0	M3	1	1000
40795	GHTS-FF-M3-6-8B	HTSN-M3-8-6-1	PA6+GF UL94HB	Black	-	6.0	8.0	M3	1	1000
40870	GHTS-FF-M3-6-10B	HTSN-M3-10-6-1	PA6+GF UL94HB	Black	-	6.0	10.0	M3	1	1000
42564	GHTS-FF-M3-6-10W	-	PA6+GF UL94HB	White	-	6.0	10.0	M3	1	1000
40888	GHTS-FF-M3-6-11B	HTSN-M3-11-6-1	PA6+GF UL94HB	Black	-	6.0	11.0	M3	1	1000
42150	GHTS-FF-M3-6-12B	HTSN-M3-12-6-1	PA6+GF UL94HB	Black	-	6.0	12.0	M3	1	1000
42159	GHTS-FF-M3-6-15B	HTSN-M3-15-6-1	PA6+GF UL94HB	Black	-	6.0	15.0	M3	1	1000
42595	GHTS-FF-M3-6-15BR	HNSM3-15-6-1-V0	PA66+GF UL94V0	Brown	-	6.0	15.0	M3	1	1000
42155	GHTS-FF-M3-6-17B	HTSN-M3-17-6-1	PA6+GF UL94HB	Black	8.0	6.0	17.0	M3	2	1000
40871	GHTS-FF-M3-6-18B	HTSN-M3-18-6-1	PA6+GF UL94HB	Black	-	6.0	18.0	M3	1	1000
40872	GHTS-FF-M3-6-20B	HTSN-M3-20-6-1	PA6+GF UL94HB	Black	-	6.0	20.0	M3	1	1000
40868	GHTS-FF-M3-6-24B	HTSN-M3-24-6-1	PA6+GF UL94HB	Black	10.0	6.0	24.0	M3	2	1000
42160	GHTS-FF-M3-6-25B	HTSN-M3-25-6-1	PA6+GF UL94HB	Black	10.0	6.0	25.0	M3	2	1000
43220	GHTS-FF-M3-6-27B	HTSN-M3-27-6-1	PA6+GF UL94HB	Black	10.0	6.0	27.0	M3	2	1000
40794	GHTS-FF-M3-6-28B	HTSN-M3-28-6-1	PA6+GF UL94HB	Black	10.0	6.0	28.0	M3	2	1000
42176	GHTS-FF-M3-6-30B	HTSN-M3-30-6-1	PA6+GF UL94HB	Black	10.0	6.0	30.0	M3	2	1000
42596	GHTS-FF-M3-6-30BR	HNSM3-30-6-1-V0	PA66+GF UL94V0	Brown	10.0	6.0	30.0	M3	2	1000
42941	GHTS-FF-M3-6-35B	HTSN-M3-35-6-1	PA6+GF UL94HB	Black	10.0	6.0	35.0	M3	2	1000
42151	GHTS-FF-M3-6-40B	HTSN-M3-40-6-1	PA6+GF UL94HB	Black	10.0	6.0	40.0	M3	2	1000
42079	GHTS-FF-M3-6-50B	HTSN-M3-50-6-1	PA6+GF UL94HB	Black	10.0	6.0	50.0	M3	2	1000
42219	GHTS-FF-M3-6-50BR	HNSM3-50-8-1-V0	PA66+GF UL94V0	Brown	10.0	6.0	50.0	M3	2	1000
42158	GHTS-FF-M3-6-50BV0	-	PA66 UL94V0	Black	10.0	6.0	50.0	M3	2	1000
43330	GHTS-FF-M3-7-12B	HTSN-M3-12-7-1	PA6+GF UL94HB	Black	-	7.0	12.0	M3	1	1000
42942	GHTS-FF-M3-7-20B	HTSN-M3-20-7-1	PA6+GF UL94HB	Black	-	7.0	20.0	M3	1	1000
42943	GHTS-FF-M3-8-12B	HTSN-M3-12-8-1	PA6+GF UL94HB	Black	-	8.0	12.0	M3	1	1000
42944	GHTS-FF-M3-8-20B	HTSN-M3-20-8-1	PA6+GF UL94HB	Black	-	8.0	20.0	M3	1	1000
42945	GHTS-FF-M4-8-8B	HTSN-M4-8-8-1	PA6+GF UL94HB	Black	-	8.0	8.0	M4	1	1000

Material: PA6+GF UL94HB (GMS-12); PA66+GF UL94V0 (GMS-20); PA66 UL94V0 (GMS-02); PA66 UL94V2 (GMS-01)

THREADED SPACER

Hexagonal Female-Female Spacer GHTS-FF



GHTS-FF

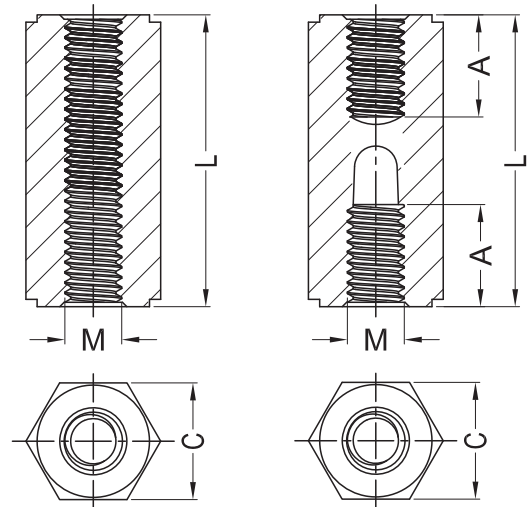


Fig.1

Fig.2

Sizes in mm

P/N.	Article No.	Cross-Ref.	Material	Color	A	C	L	Thread M	FIG.	Packing Unit
40663	GHTS-FF-M4-8-10B	HTSN-M4-10-8-1	PA6+GF UL94HB	Black	-	8.0	10.0	M4	1	1000
40613	GHTS-FF-M4-8-10W	-	PA6+GF UL94HB	White	-	8.0	10.0	M4	1	1000
42152	GHTS-FF-M4-8-12B	HTSN-M4-12-8-1	PA6+GF UL94HB	Black	-	8.0	12.0	M4	1	1000
42153	GHTS-FF-M4-8-15B	HTSN-M4-15-8-1	PA6+GF UL94HB	Black	-	8.0	15.0	M4	1	1000
42597	GHTS-FF-M4-8-15BR	HNSM4-15-8-1-V0	PA66+GF UL94V0	Brown	-	8.0	15.0	M4	1	1000
42161	GHTS-FF-M4-8-16B	HTSN-M4-16-8-1	PA6+GF UL94HB	Black	-	8.0	16.0	M4	1	1000
40612	GHTS-FF-M4-8-18B	HTSN-M4-18-8-1	PA6+GF UL94HB	Black	-	8.0	18.0	M4	1	1000
42162	GHTS-FF-M4-8-20B	HTSN-M4-20-8-1	PA6+GF UL94HB	Black	-	8.0	20.0	M4	1	1000
42598	GHTS-FF-M4-8-20BR	HNSM4-20-8-1-V0	PA66+GF UL94V0	Brown	-	8.0	20.0	M4	1	1000
43434	GHTS-FF-M4-8-24B	HTSN-M4-24-8-1	PA6+GF UL94HB	Black	10.0	8.0	24.0	M4	2	1000
41399	GHTS-FF-M4-8-25B	HTSN-M4-25-8-1	PA6+GF UL94HB	Black	10.0	8.0	25.0	M4	2	1000
41398	GHTS-FF-M4-8-30B	HTSN-M4-30-8-1	PA6+GF UL94HB	Black	10.0	8.0	30.0	M4	2	1000
42599	GHTS-FF-M4-8-30BR	HNSM4-30-8-1-V0	PA66+GF UL94V0	Brown	10.0	8.0	30.0	M4	2	1000
43219	GHTS-FF-M4-8-32B	HTSN-M4-32-8-1	PA6+GF UL94HB	Black	10.0	8.0	32.0	M4	2	1000
41229	GHTS-FF-M4-8-35B	HTSN-M4-35-8-1	PA6+GF UL94HB	Black	10.0	8.0	35.0	M4	2	1000
40875	GHTS-FF-M4-8-40B	HTSN-M4-40-8-1	PA6+GF UL94HB	Black	10.0	8.0	40.0	M4	2	1000
42600	GHTS-FF-M4-8-40BR	HNSM4-40-8-1-V0	PA66+GF UL94V0	Brown	10.0	8.0	40.0	M4	2	1000
42157	GHTS-FF-M4-8-60B	HTSN-M4-60-8-1	PA6+GF UL94HB	Black	10.0	8.0	60.0	M4	2	500
42946	GHTS-FF-M4-10-35B	HTSN-M4-35-10-1	PA6+GF UL94HB	Black	10.0	10.0	35.0	M4	2	1000
42947	GHTS-FF-M5-10-10B	HTSN-M5-10-10-1	PA6+GF UL94HB	Black	-	10.0	10.0	M5	1	1000
42948	GHTS-FF-M5-10-20B	HTSN-M5-20-10-1	PA6+GF UL94HB	Black	-	10.0	20.0	M5	1	1000
42949	GHTS-FF-M5-10-25B	HTSN-M5-25-10-1	PA6+GF UL94HB	Black	10.0	10.0	25.0	M5	2	1000
42950	GHTS-FF-M5-10-30B	HTSN-M5-30-10-1	PA6+GF UL94HB	Black	10.0	10.0	30.0	M5	2	1000
40603	GHTS-FF-M6-10-10B	HTSN-M6-10-10-1	PA6+GF UL94HB	Black	-	10.0	10.0	M6	1	1000
40604	GHTS-FF-M6-10-12B	HTSN-M6-12-10-1	PA6+GF UL94HB	Black	-	10.0	12.0	M6	1	1000
40605	GHTS-FF-M6-10-15B	HTSN-M6-15-10-1	PA6+GF UL94HB	Black	-	10.0	15.0	M6	1	1000
40606	GHTS-FF-M6-10-20B	HTSN-M6-20-10-1	PA6+GF UL94HB	Black	-	10.0	20.0	M6	1	1000
40607	GHTS-FF-M6-10-25B	HTSN-M6-25-10-1	PA6+GF UL94HB	Black	10.0	10.0	25.0	M6	2	1000
40608	GHTS-FF-M6-10-30B	HTSN-M6-30-10-1	PA6+GF UL94HB	Black	10.0	10.0	30.0	M6	2	1000

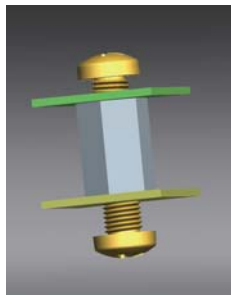
Material: PA6+GF UL94HB (GMS-12); PA66+GF UL94V0 (GMS-20); PA66 UL94V0 (GMS-02); PA66 UL94V2 (GMS-01)



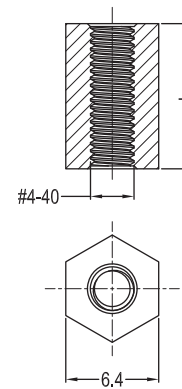
THREADED SPACER

Hexagonal Female-Female Spacer

GHTS-FF-440



GHTS-FF-440



Sizes in mm

P/N.	Article No.	Cross-Ref.	Material	Color	L	Thread	Packing Unit
43899	GHTS-FF-440-6.4-8-66	HTS4-5-48	PA66 UL94V2	Natural	8.0	#4-40	1000
43480	GHTS-FF-440-6.4-12.7-66	HTS4-8-48	PA66 UL94V2	Natural	12.7	#4-40	1000
41272	GHTS-FF-440-6.4-8-V0	HTS4-5-V0	PA66 UL94V0	Natural	8.0	#4-40	1000
42122	GHTS-FF-440-6.4-12.7-V0	HTS4-8-V0	PA66 UL94V0	Natural	12.7	#4-40	1000

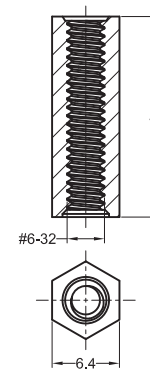
Material: PA66 UL94V2 (GMS-01); PA66 UL94V0 (GMS-02)

Hexagonal Female-Female Spacer

GHTS-FF-632



GHTS-FF-632



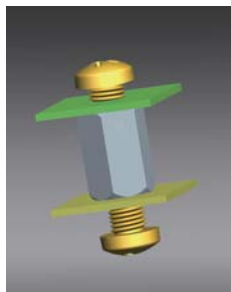
Sizes in mm

P/N.	Article No.	Material	Color	L	Thread	Packing Unit
43723	GHTS-FF-632-6.4-11.1-66	PA66 UL94V2	Natural	11.1	#6-32	1000
43599	GHTS-FF-632-6.4-19-66	PA66 UL94V2	Natural	19.05	#6-32	1000

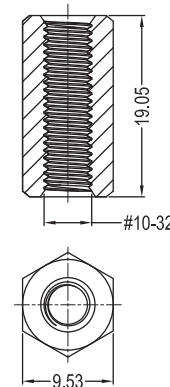
Material: PA66 UL94V2 (GMS-65)

Hexagonal Female-Female Spacer

GHTS-FF-1032



GHTS-FF-1032



Sizes in mm

P/N.	Article No.	Material	Color	Thread	Packing Unit
41487	GHTS-FF-1032-9.53-19.05-HB	PA6+GF UL94HB	Natural	#10-32	1000
40733	GHTS-FF-1032-9.53-19.05	PA6 UL94V2	Natural	#10-32	1000

Material: PA6+GF UL94HB (GMS-12); PA6 UL94V2 (GMS-10)

THREADED SPACER

Round Female-Female Spacer GRTS-FF



GRTS-FF

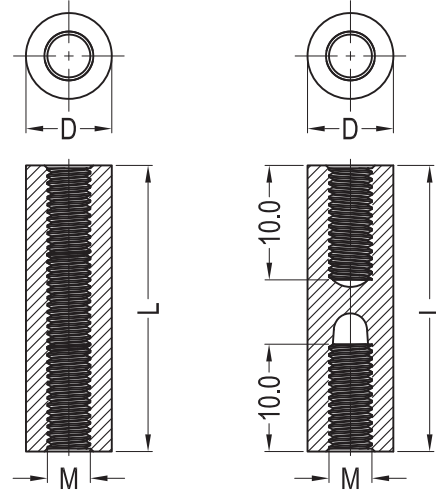


Fig.1

Fig.2

Sizes in mm

P/N.	Article No.	Cross-Ref.	Material	Color	D	L	Thread M	FIG.	Packing Unit
42879	GRTS-FF-M3-6-5	RTSN-M3-5-6-1	PA6+GF UL94HB	Black	6.0	5.0	M3	1	1000
42880	GRTS-FF-M3-6-8	RTSN-M3-8-6-1	PA6+GF UL94HB	Black	6.0	8.0	M3	1	1000
42881	GRTS-FF-M3-6-10	RTSN-M3-10-6-1	PA6+GF UL94HB	Black	6.0	10.0	M3	1	1000
42882	GRTS-FF-M3-6-12	RTSN-M3-12-6-1	PA6+GF UL94HB	Black	6.0	12.0	M3	1	1000
42883	GRTS-FF-M3-6-15	RTSN-M3-15-6-1	PA6+GF UL94HB	Black	6.0	15.0	M3	1	1000
42884	GRTS-FF-M3-6-18	RTSN-M3-18-6-1	PA6+GF UL94HB	Black	6.0	18.0	M3	1	1000
42885	GRTS-FF-M3-6-20	RTSN-M3-20-6-1	PA6+GF UL94HB	Black	6.0	20.0	M3	1	1000
42174	GRTS-FF-M3-6-22	RTSN-M3-22-6-1	PA6+GF UL94HB	Black	6.0	22.0	M3	2	1000
42891	GRTS-FF-M3-6-25	RTSN-M3-25-6-1	PA6+GF UL94HB	Black	6.0	25.0	M3	2	1000
42175	GRTS-FF-M3-6-30	RTSN-M3-30-6-1	PA6+GF UL94HB	Black	6.0	30.0	M3	2	1000
42892	GRTS-FF-M3-6-35	RTSN-M3-35-6-1	PA6+GF UL94HB	Black	6.0	35.0	M3	2	1000
42893	GRTS-FF-M3-6-40	RTSN-M3-40-6-1	PA6+GF UL94HB	Black	6.0	40.0	M3	2	1000
42894	GRTS-FF-M3-7-15	RTSN-M3-15-7-1	PA6+GF UL94HB	Black	7.0	15.0	M3	1	1000
42895	GRTS-FF-M3-7-40	RTSN-M3-40-7-1	PA6+GF UL94HB	Black	7.0	40.0	M3	2	1000
42896	GRTS-FF-M4-7-10	RTSN-M4-10-7-1	PA6+GF UL94HB	Black	7.0	10.0	M4	1	1000
42897	GRTS-FF-M4-7-12	RTSN-M4-12-7-1	PA6+GF UL94HB	Black	7.0	12.0	M4	1	1000
42898	GRTS-FF-M4-7-15	RTSN-M4-15-7-1	PA6+GF UL94HB	Black	7.0	15.0	M4	1	1000
42899	GRTS-FF-M4-7-20	RTSN-M4-20-7-1	PA6+GF UL94HB	Black	7.0	20.0	M4	1	1000
43464	GRTS-FF-M4-7-21	RTSN-M4-21-7-1	PA6+GF UL94HB	Black	7.0	21.0	M4	2	1000
42900	GRTS-FF-M4-7-25	RTSN-M4-25-7-1	PA6+GF UL94HB	Black	7.0	25.0	M4	2	1000
42901	GRTS-FF-M4-7-30	RTSN-M4-30-7-1	PA6+GF UL94HB	Black	7.0	30.0	M4	2	1000
42902	GRTS-FF-M4-7-35	RTSN-M4-35-7-1	PA6+GF UL94HB	Black	7.0	35.0	M4	2	1000
43468	GRTS-FF-M4-7-37	RTSN-M4-37-7-1	PA6+GF UL94HB	Black	7.0	37.0	M4	2	1000
42886	GRTS-FF-M4-8-5	RTSN-M4-5-8-1	PA6+GF UL94HB	Black	8.0	5.0	M4	1	1000
43321	GRTS-FF-M4-8-8	RTSN-M4-8-8-1	PA6+GF UL94HB	Black	8.0	8.0	M4	1	1000
42887	GRTS-FF-M4-8-10	RTSN-M4-10-8-1	PA6+GF UL94HB	Black	8.0	10.0	M4	1	1000
42888	GRTS-FF-M4-8-12	RTSN-M4-12-8-1	PA6+GF UL94HB	Black	8.0	12.0	M4	1	1000
42889	GRTS-FF-M4-8-15	RTSN-M4-15-8-1	PA6+GF UL94HB	Black	8.0	15.0	M4	1	1000
43322	GRTS-FF-M4-8-18	RTSN-M4-18-8-1	PA6+GF UL94HB	Black	8.0	18.0	M4	1	1000
42890	GRTS-FF-M4-8-20	RTSN-M4-20-8-1	PA6+GF UL94HB	Black	8.0	20.0	M4	1	1000
42356	GRTS-FF-M4-8-35	RTSN-M4-35-8-1	PA6+GF UL94HB	Black	8.0	35.0	M4	2	1000
42103	GRTS-FF-M6-12.7-16-V0	-	PA66 UL94V0	Natural	12.7	16.0	M6	1	1000

Material: PA6+GF UL94HB (GMS-12); PA66 UL94V0 (GMS-02)



sales@sucatec.com



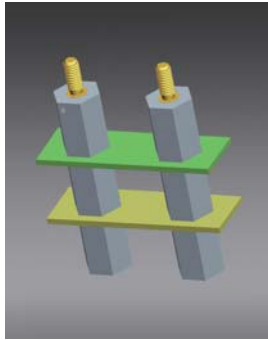
www.sucatec.com

THREADED SPACER

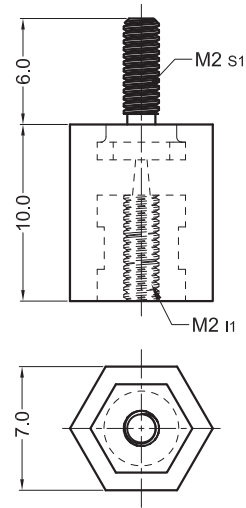
Metric-Micro-Insulators

GHTN

A



GHTN



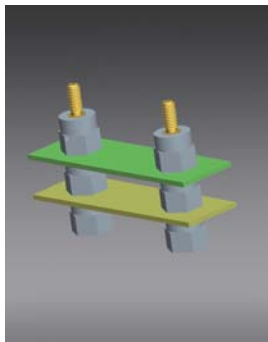
Sizes in mm

P/N.	Article No.	Body Material	Insert Material	Color	Thread	Packing Unit
42098	GHTN-M2-7-10-11/S1	PA66 UL94V2	Brass	Natural	M2	1000

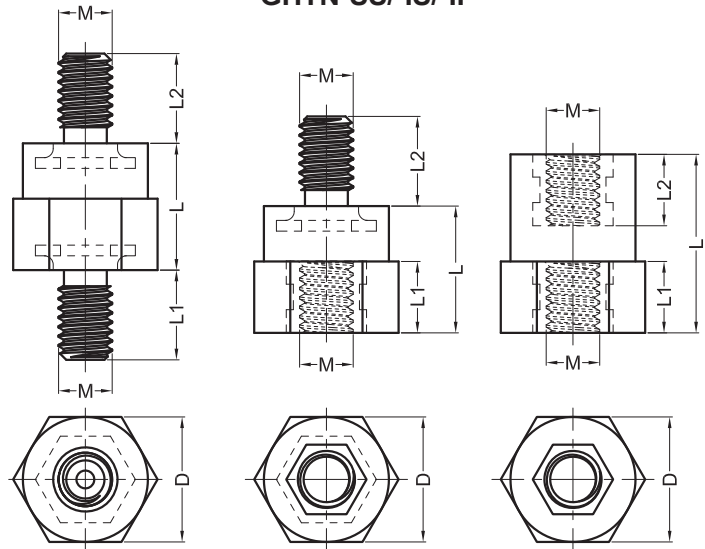
Material: PA66 UL94V2 (GMS-01); Brass (GMS-13)

Metric-Micro-Insulators

GHTN-SS/-IS/-II Natural



GHTN-SS/-IS/-II



S/S
Fig.1

I/S
Fig.2

I/I
Fig.3

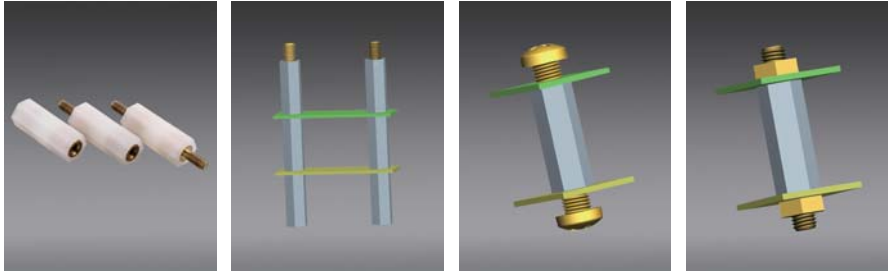
Sizes in mm

P/N.	Article No.	Cross-Ref.	Body Material	Insert Material	D	L	L1	L2	Thread M	FIG.	Packing Unit
41068	GHTN-M2.5-6-10-11/S2	MTNSP-M2.5-6-10-I/S	PA66 UL94V2	Brass Nickel Plated	6.0	10.0	4.0	4.0	M2.5	2	1000
40557	GHTN-M3-7-7-11/S1	MTNSP-M3-7-7-I/S	PA66 UL94V2	Brass Nickel Plated	7.0	7.0	4.0	6.4	M3	2	1000
40874	GHTN-M3-7-7-S1/S1	MTNSP-M3-7-7-S/S	PA66 UL94V2	Brass Nickel Plated	7.0	7.0	6.4	6.4	M3	1	1000
41066	GHTN-M3-7-7-11/S3	-	PA66 UL94V2	Brass Nickel Plated	7.0	7.0	4.0	8.1	M3	2	1000
41067	GHTN-M3-7-10-11/I1	MTNSP-M3-7-10-I/I	PA66 UL94V2	Brass Nickel Plated	7.0	10.0	4.0	4.0	M3	3	1000
42563	GHTN-M3-7-10-11/S1	MTNSP-M3-7-10-I/S	PA66 UL94V2	Brass Nickel Plated	7.0	10.0	4.0	6.4	M3	2	1000

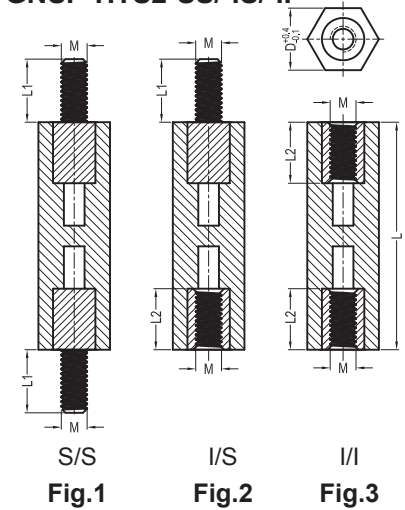
Material: PA66 UL94V2 (GMS-01); Brass (GMS-13)

THREADED SPACER

Metric Hex Insulators GNSP-HTS2-SS/-IS/-II Natural



GNSP-HTS2-SS/-IS/-II



Sizes in mm

P/N.	Article No.	Cross-Ref.	Body Material	Insert Material	D	L	L1	L2	Thread M	FIG.	Packing Unit
43274	GNSP-HTS2-M2.5-6.4-15-S1/S1	HTNSP-M2.5-6.4-15-SS	PA66 UL94V2	Brass	6.4	15.0	6.1	-	M2.5	1	500
43221	GNSP-HTS2-M2.5-6.4-15-I1/S1	HTNSP-M2.5-6.4-15-IS	PA66 UL94V2	Brass	6.4	15.0	6.1	6.3	M2.5	2	500
43292	GNSP-HTS2-M2.5-6.4-15-II/I1	HTNSP-M2.5-6.4-15-II	PA66 UL94V2	Brass	6.4	15.0	-	6.3	M2.5	3	500
43275	GNSP-HTS2-M2.5-6.4-16-S1/S1	HTNSP-M2.5-6.4-16-SS	PA66 UL94V2	Brass	6.4	16.0	6.1	-	M2.5	1	500
43222	GNSP-HTS2-M2.5-6.4-16-I1/S1	HTNSP-M2.5-6.4-16-IS	PA66 UL94V2	Brass	6.4	16.0	6.1	6.3	M2.5	2	500
43293	GNSP-HTS2-M2.5-6.4-16-II/I1	HTNSP-M2.5-6.4-16-II	PA66 UL94V2	Brass	6.4	16.0	-	6.3	M2.5	3	500
41423	GNSP-HTS2-M2.5-6.4-18-S1/S1	HTNSP-M2.5-6.4-18-SS	PA66 UL94V2	Brass	6.4	18.0	6.1	-	M2.5	1	500
41424	GNSP-HTS2-M2.5-6.4-18-I1/S1	HTNSP-M2.5-6.4-18-IS	PA66 UL94V2	Brass	6.4	18.0	6.1	6.3	M2.5	2	500
41425	GNSP-HTS2-M2.5-6.4-18-II/I1	HTNSP-M2.5-6.4-18-II	PA66 UL94V2	Brass	6.4	18.0	-	6.3	M2.5	3	500
43276	GNSP-HTS2-M3-6-14.9-S1/S1	-	PA66 UL94V2	Brass	6.0	14.9	8.1	-	M3	1	500
43223	GNSP-HTS2-M3-6-14.9-I1/S1	-	PA66 UL94V2	Brass	6.0	14.9	8.1	6.3	M3	2	500
43294	GNSP-HTS2-M3-6-14.9-II/I1	-	PA66 UL94V2	Brass	6.0	14.9	-	6.3	M3	3	500
43277	GNSP-HTS2-M3-6-42-S1/S1	-	PA66 UL94V2	Brass	6.0	42.0	8.1	-	M3	1	200
43224	GNSP-HTS2-M3-6-42-I1/S1	-	PA66 UL94V2	Brass	6.0	42.0	8.1	6.3	M3	2	200
43295	GNSP-HTS2-M3-6-42-II/I1	-	PA66 UL94V2	Brass	6.0	42.0	-	6.3	M3	3	200
43278	GNSP-HTS2-M3-6-44.9-S1/S1	-	PA66 UL94V2	Brass	6.0	44.9	8.1	-	M3	1	200
43225	GNSP-HTS2-M3-6-44.9-I1/S1	-	PA66 UL94V2	Brass	6.0	44.9	8.1	6.3	M3	2	200
43296	GNSP-HTS2-M3-6-44.9-II/I1	-	PA66 UL94V2	Brass	6.0	44.9	-	6.3	M3	3	200
42316	GNSP-HTS2-M3-6.4-15-S2/S2	HTNSP-M3-6.4-15-SS	PA66 UL94V2	Brass	6.4	15.0	6.0	-	M3	1	500
40656	GNSP-HTS2-M3-6.4-15-I1/S2	HTNSP-M3-6.4-15-IS	PA66 UL94V2	Brass	6.4	15.0	6.0	6.3	M3	2	500
40636	GNSP-HTS2-M3-6.4-15-II/I1	HTNSP-M3-6.4-15-II	PA66 UL94V2	Brass	6.4	15.0	-	6.3	M3	3	500
42317	GNSP-HTS2-M3-6.4-18-S2/S2	HTNSP-M3-6.4-18-SS	PA66 UL94V2	Brass	6.4	18.0	6.0	6.3	M3	1	500
40644	GNSP-HTS2-M3-6.4-18-I1/S2	HTNSP-M3-6.4-18-IS	PA66 UL94V2	Brass	6.4	18.0	6.0	6.3	M3	2	500
42318	GNSP-HTS2-M3-6.4-18-II/I1	HTNSP-M3-6.4-18-II	PA66 UL94V2	Brass	6.4	18.0	-	6.3	M3	3	500
40639	GNSP-HTS2-M3-6.4-20-S2/S2	HTNSP-M3-6.4-20-SS	PA66 UL94V2	Brass	6.4	20.0	6.0	-	M3	1	500
40637	GNSP-HTS2-M3-6.4-20-I1/S2	HTNSP-M3-6.4-20-IS	PA66 UL94V2	Brass	6.4	20.0	6.0	6.3	M3	2	500
40638	GNSP-HTS2-M3-6.4-20-II/I1	HTNSP-M3-6.4-20-II	PA66 UL94V2	Brass	6.4	20.0	-	6.3	M3	3	500
42319	GNSP-HTS2-M3-6.4-22-S2/S2	HTNSP-M3-6.4-22-SS	PA66 UL94V2	Brass	6.4	22.0	6.0	-	M3	1	500
40645	GNSP-HTS2-M3-6.4-22-I1/S2	HTNSP-M3-6.4-22-IS	PA66 UL94V2	Brass	6.4	22.0	6.0	6.3	M3	2	500
43199	GNSP-HTS2-M3-6.4-22-II/S3	-	PA66 UL94V2	Brass	6.4	22.0	10.0	6.3	M3	2	500
42320	GNSP-HTS2-M3-6.4-22-II/I1	HTNSP-M3-6.4-22-II	PA66 UL94V2	Brass	6.4	22.0	-	6.3	M3	3	500
40642	GNSP-HTS2-M3-6.4-25-S2/S2	HTNSP-M3-6.4-25-SS	PA66 UL94V2	Brass	6.4	25.0	6.0	-	M3	1	500
40640	GNSP-HTS2-M3-6.4-25-I1/S2	HTNSP-M3-6.4-25-IS	PA66 UL94V2	Brass	6.4	25.0	6.0	6.3	M3	2	500
40641	GNSP-HTS2-M3-6.4-25-II/I1	HTNSP-M3-6.4-25-II	PA66 UL94V2	Brass	6.4	25.0	-	6.3	M3	3	500
42321	GNSP-HTS2-M3-6.4-28-S2/S2	HTNSP-M3-6.4-28-SS	PA66 UL94V2	Brass	6.4	28.0	6.0	-	M3	1	200
40646	GNSP-HTS2-M3-6.4-28-I1/S2	HTNSP-M3-6.4-28-IS	PA66 UL94V2	Brass	6.4	28.0	6.0	6.3	M3	2	200
42322	GNSP-HTS2-M3-6.4-28-II/I1	HTNSP-M3-6.4-28-II	PA66 UL94V2	Brass	6.4	28.0	-	6.3	M3	3	200

Material: PA66 UL94V2 (GMS-01); Brass (GMS-13)



sales@sucatec.com

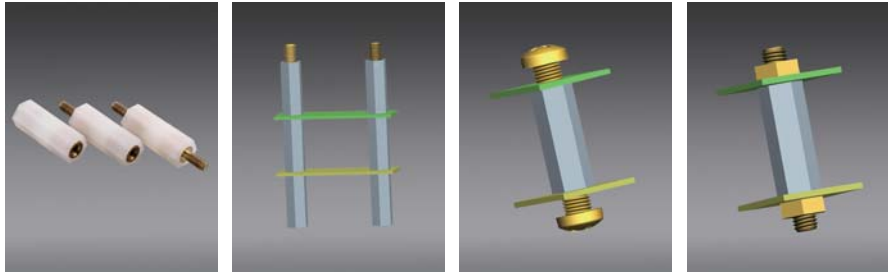


www.sucatec.com

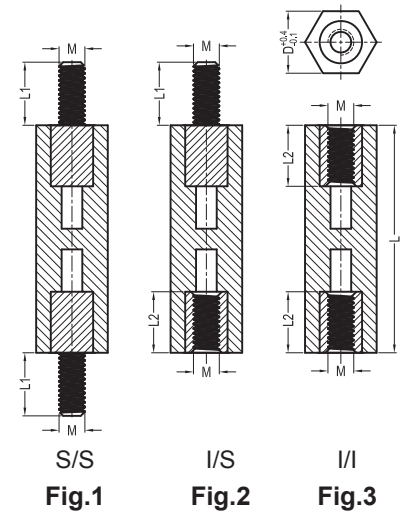
THREADED SPACER

Metric Hex Insulators GNSP-HTS2-SS/-IS/-II Natural

A



GNSP-HTS2-SS/-IS/-II



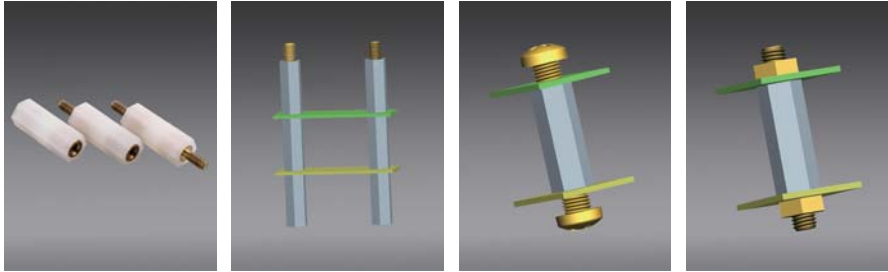
Sizes in mm

P/N.	Article No.	Cross-Ref.	Body Material	Insert Material	D	L	L1	L2	Thread M	FIG.	Packing Unit
42323	GNSP-HTS2-M3-6.4-30-S2/S2	HTNSP-M3-6.4-30-SS	PA66 UL94V2	Brass	6.4	30.0	6.0	-	M3	1	200
40647	GNSP-HTS2-M3-6.4-30-I1/S2	HTNSP-M3-6.4-30-IS	PA66 UL94V2	Brass	6.4	30.0	6.0	6.3	M3	2	200
42324	GNSP-HTS2-M3-6.4-30-I1/I1	HTNSP-M3-6.4-30-II	PA66 UL94V2	Brass	6.4	30.0	-	6.3	M3	3	200
42325	GNSP-HTS2-M3-6.4-36-S2/S2	HTNSP-M3-6.4-36-SS	PA66 UL94V2	Brass	6.4	36.0	6.0	-	M3	1	200
40648	GNSP-HTS2-M3-6.4-36-I1/S2	HTNSP-M3-6.4-36-IS	PA66 UL94V2	Brass	6.4	36.0	6.0	6.3	M3	2	200
42326	GNSP-HTS2-M3-6.4-36-I1/I1	HTNSP-M3-6.4-36-II	PA66 UL94V2	Brass	6.4	36.0	-	6.3	M3	3	200
42327	GNSP-HTS2-M3-6.4-38-S2/S2	HTNSP-M3-6.4-38-SS	PA66 UL94V2	Brass	6.4	38.0	6.0	-	M3	1	200
40643	GNSP-HTS2-M3-6.4-38-I1/S2	HTNSP-M3-6.4-38-IS	PA66 UL94V2	Brass	6.4	38.0	6.0	6.3	M3	2	200
42328	GNSP-HTS2-M3-6.4-38-I1/I1	HTNSP-M3-6.4-38-II	PA66 UL94V2	Brass	6.4	38.0	-	6.3	M3	3	200
40652	GNSP-HTS2-M3-6.4-40-S2/S2	HTNSP-M3-6.4-40-SS	PA66 UL94V2	Brass	6.4	40.0	6.0	-	M3	1	200
40650	GNSP-HTS2-M3-6.4-40-I1/S2	HTNSP-M3-6.4-40-IS	PA66 UL94V2	Brass	6.4	40.0	6.0	6.3	M3	2	200
43279	GNSP-HTS2-M3-6.4-40-S1/S1	-	PA66 UL94V2	Brass	6.4	40.0	8.1	-	M3	1	200
43226	GNSP-HTS2-M3-6.4-40-I1/S1	-	PA66 UL94V2	Brass	6.4	40.0	8.1	6.3	M3	2	200
43297	GNSP-HTS2-M3-6.4-40-I1/I1	HTNSP-M3-6.4-40-II	PA66 UL94V2	Brass	6.4	40.0	-	6.3	M3	3	200
42329	GNSP-HTS2-M3-6.4-41-S2/S2	HTNSP-M3-6.4-41-SS	PA66 UL94V2	Brass	6.4	41.0	6.0	-	M3	1	200
40649	GNSP-HTS2-M3-6.4-41-I1/S2	HTNSP-M3-6.4-41-IS	PA66 UL94V2	Brass	6.4	41.0	6.0	6.3	M3	2	200
42330	GNSP-HTS2-M3-6.4-41-I1/I1	HTNSP-M3-6.4-41-II	PA66 UL94V2	Brass	6.4	41.0	-	6.3	M3	3	200
40655	GNSP-HTS2-M3-6.4-45-S2/S2	HTNSP-M3-6.4-45-SS	PA66 UL94V2	Brass	6.4	45.0	6.0	-	M3	1	200
40653	GNSP-HTS2-M3-6.4-45-I1/S2	HTNSP-M3-6.4-45-IS	PA66 UL94V2	Brass	6.4	45.0	6.0	6.3	M3	2	200
40654	GNSP-HTS2-M3-6.4-45-I1/I1	HTNSP-M3-6.4-45-II	PA66 UL94V2	Brass	6.4	45.0	-	6.3	M3	3	200
43280	GNSP-HTS2-M4-7.8-14.9-S1/S1	-	PA66 UL94V2	Brass	7.8	14.9	8.1	-	M4	1	500
43227	GNSP-HTS2-M4-7.8-14.9-I1/S1	-	PA66 UL94V2	Brass	7.8	14.9	8.1	6.3	M4	2	500
43298	GNSP-HTS2-M4-7.8-14.9-I1/I1	-	PA66 UL94V2	Brass	7.8	14.9	-	6.3	M4	3	500
43334	GNSP-HTS2-M4-7.8-20-S1/S1	-	PA66 UL94V2	Brass	7.8	20.0	8.1	-	M4	1	500
43333	GNSP-HTS2-M4-7.8-20-I1/S1	-	PA66 UL94V2	Brass	7.8	20.0	8.1	6.3	M4	2	500
43419	GNSP-HTS2-M4-7.8-20-I1/I1	-	PA66 UL94V2	Brass	7.8	20.0	-	6.3	M4	3	500
43281	GNSP-HTS2-M4-7.8-25-S1/S1	-	PA66 UL94V2	Brass	7.8	25.0	8.1	-	M4	1	500
43228	GNSP-HTS2-M4-7.8-25-I1/S1	-	PA66 UL94V2	Brass	7.8	25.0	8.1	6.3	M4	2	500
43299	GNSP-HTS2-M4-7.8-25-I1/I1	-	PA66 UL94V2	Brass	7.8	25.0	-	6.3	M4	3	500
43282	GNSP-HTS2-M4-8-10-S2/S2	-	PA66 UL94V2	Brass	8.0	10.0	6.0	-	M4	1	500
43202	GNSP-HTS2-M4-8-10-I2/S2	-	PA66 UL94V2	Brass	8.0	10.0	6.0	4.0	M4	2	500
43300	GNSP-HTS2-M4-8-10-I2/I2	-	PA66 UL94V2	Brass	8.0	10.0	-	4.0	M4	3	500
40006	GNSP-HTS2-M4-8-12-S2/S2	HTNSP-M4-8-12-SS	PA66 UL94V2	Brass	8.0	12.0	6.0	-	M4	1	500
40004	GNSP-HTS2-M4-8-12-I2/S2	HTNSP-M4-8-12-IS	PA66 UL94V2	Brass	8.0	12.0	6.0	4.0	M4	2	500
40009	GNSP-HTS2-M4-8-15-S2/S2	HTNSP-M4-8-15-SS	PA66 UL94V2	Brass	8.0	15.0	6.0	-	M4	1	500
40007	GNSP-HTS2-M4-8-15-I1/S2	HTNSP-M4-8-15-IS	PA66 UL94V2	Brass	8.0	15.0	6.0	6.3	M4	2	500
40008	GNSP-HTS2-M4-8-15-I1/I1	HTNSP-M4-8-15-II	PA66 UL94V2	Brass	8.0	15.0	-	6.3	M4	3	500

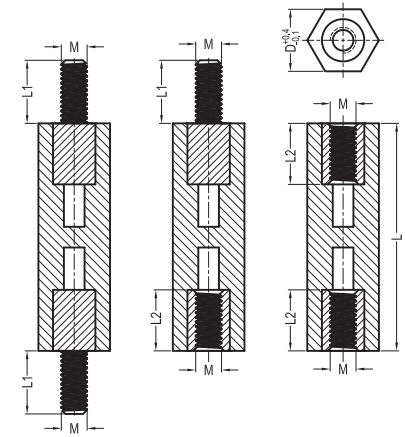
Material: PA66 UL94V2 (GMS-01); Brass (GMS-13)

THREADED SPACER

Metric Hex Insulators GNSP-HTS2-SS/-IS/-II Natural



GNSP-HTS2-SS/-IS/-II



S/S
Fig.1

I/S
Fig.2

I/I
Fig.3

Sizes in mm

P/N.	Article No.	Cross-Ref.	Body Material	Insert Material	D	L	L1	L2	Thread M	FIG.	Packing Unit
40003	GNSP-HTS2-M4-8-20-S2/S2	HTNSP-M4-8-20-SS	PA66 UL94V2	Brass	8.0	20.0	6.0	-	M4	1	500
40001	GNSP-HTS2-M4-8-20-I1/S2	HTNSP-M4-8-20-IS	PA66 UL94V2	Brass	8.0	20.0	6.0	6.3	M4	2	500
43283	GNSP-HTS2-M4-8-20-S1/S1	-	PA66 UL94V2	Brass	8.0	20.0	8.1	-	M4	1	500
43230	GNSP-HTS2-M4-8-20-I1/S1	-	PA66 UL94V2	Brass	8.0	20.0	8.1	6.3	M4	2	500
43301	GNSP-HTS2-M4-8-20-I1/I1	HTNSP-M4-8-20-II	PA66 UL94V2	Brass	8.0	20.0	-	6.3	M4	3	500
42331	GNSP-HTS2-M4-8-22-S2/S2	HTNSP-M4-8-22-SS	PA66 UL94V2	Brass	8.0	22.0	6.0	-	M4	1	500
42332	GNSP-HTS2-M4-8-22-I1/S2	HTNSP-M4-8-22-IS	PA66 UL94V2	Brass	8.0	22.0	6.0	6.3	M4	2	500
40599	GNSP-HTS2-M4-8-22-I1/I1	HTNSP-M4-8-22-II	PA66 UL94V2	Brass	8.0	22.0	-	6.3	M4	3	500
43488	GNSP-HTS2-M4-8-25-S1/S1	-	PA66 UL94V2	Brass	8.0	25.0	8.1	-	M4	1	500
43486	GNSP-HTS2-M4-8-25-I1/S1	-	PA66 UL94V2	Brass	8.0	25.0	8.1	6.3	M4	2	500
43487	GNSP-HTS2-M4-8-25-I1/I1	-	PA66 UL94V2	Brass	8.0	25.0	-	6.3	M4	3	500
40021	GNSP-HTS2-M4-8-27-S2/S2	HTNSP-M4-8-27-SS	PA66 UL94V2	Brass	8.0	27.0	6.0	-	M4	1	200
40019	GNSP-HTS2-M4-8-27-I1/S2	HTNSP-M4-8-27-IS	PA66 UL94V2	Brass	8.0	27.0	6.0	6.3	M4	2	200
43484	GNSP-HTS2-M4-8-27-S1/S1	-	PA66 UL94V2	Brass	8.0	27.0	8.1	-	M4	1	200
43482	GNSP-HTS2-M4-8-27-I1/S1	-	PA66 UL94V2	Brass	8.0	27.0	8.1	6.3	M4	2	200
43483	GNSP-HTS2-M4-8-27-I1/I1	HTNSP-M4-8-27-II	PA66 UL94V2	Brass	8.0	27.0	-	6.3	M4	3	200
40012	GNSP-HTS2-M4-8-30-S2/S2	HTNSP-M4-8-30-SS	PA66 UL94V2	Brass	8.0	30.0	6.0	-	M4	1	200
40010	GNSP-HTS2-M4-8-30-I1/S2	HTNSP-M4-8-30-IS	PA66 UL94V2	Brass	8.0	30.0	6.0	6.3	M4	2	200
43284	GNSP-HTS2-M4-8-30-S1/S1	-	PA66 UL94V2	Brass	8.0	30.0	8.1	-	M4	1	200
43231	GNSP-HTS2-M4-8-30-I1/S1	-	PA66 UL94V2	Brass	8.0	30.0	8.1	6.3	M4	2	200
43302	GNSP-HTS2-M4-8-30-I1/I1	HTNSP-M4-8-30-II	PA66 UL94V2	Brass	8.0	30.0	-	6.3	M4	3	200
40024	GNSP-HTS2-M4-8-36-S2/S2	HTNSP-M4-8-36-SS	PA66 UL94V2	Brass	8.0	36.0	6.0	-	M4	1	200
40022	GNSP-HTS2-M4-8-36-I1/S2	HTNSP-M4-8-36-IS	PA66 UL94V2	Brass	8.0	36.0	6.0	6.3	M4	2	200
40023	GNSP-HTS2-M4-8-36-I1/I1	HTNSP-M4-8-36-II	PA66 UL94V2	Brass	8.0	36.0	-	6.3	M4	3	200
40015	GNSP-HTS2-M4-8-40-S2/S2	HTNSP-M4-8-40-SS	PA66 UL94V2	Brass	8.0	40.0	6.0	-	M4	1	200
40013	GNSP-HTS2-M4-8-40-I1/S2	HTNSP-M4-8-40-IS	PA66 UL94V2	Brass	8.0	40.0	6.0	6.3	M4	2	200
40014	GNSP-HTS2-M4-8-40-I1/I1	HTNSP-M4-8-40-II	PA66 UL94V2	Brass	8.0	40.0	-	6.3	M4	3	200
40018	GNSP-HTS2-M4-8-45-S2/S2	HTNSP-M4-8-45-SS	PA66 UL94V2	Brass	8.0	45.0	6.0	-	M4	1	200
40016	GNSP-HTS2-M4-8-45-I1/S2	HTNSP-M4-8-45-IS	PA66 UL94V2	Brass	8.0	45.0	6.0	6.3	M4	2	200
40017	GNSP-HTS2-M4-8-45-I1/I1	HTNSP-M4-8-45-II	PA66 UL94V2	Brass	8.0	45.0	-	6.3	M4	3	200
43285	GNSP-HTS2-M4-8-50-S1/S1	-	PA66 UL94V2	Brass	8.0	50.0	8.1	-	M4	1	100
43232	GNSP-HTS2-M4-8-50-I1/S1	-	PA66 UL94V2	Brass	8.0	50.0	8.1	6.3	M4	2	100
43303	GNSP-HTS2-M4-8-50-I1/I1	-	PA66 UL94V2	Brass	8.0	50.0	-	6.3	M4	3	100
43286	GNSP-HTS2-M4-8-60-S1/S1	-	PA66 UL94V2	Brass	8.0	60.0	8.1	-	M4	1	100
43233	GNSP-HTS2-M4-8-60-I1/S1	-	PA66 UL94V2	Brass	8.0	60.0	8.1	6.3	M4	2	100
43304	GNSP-HTS2-M4-8-60-I1/I1	-	PA66 UL94V2	Brass	8.0	60.0	-	6.3	M4	3	100

Material: PA66 UL94V2 (GMS-01); Brass (GMS-13)



sales@sucatec.com



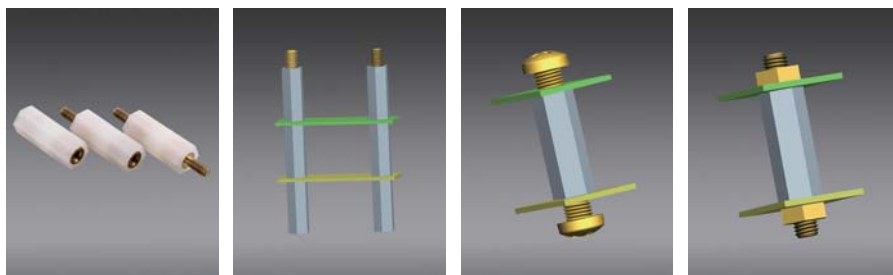
www.sucatec.com

THREADED SPACER

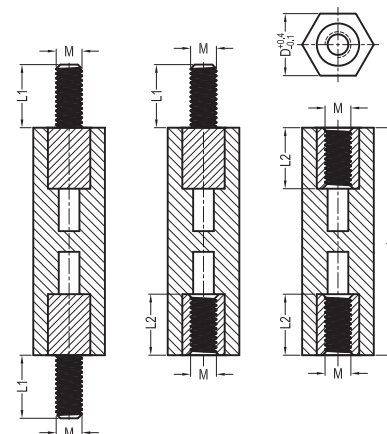
Metric Hex Insulators

GNSP-HTS2-SS/-IS/-II Natural

A



GNSP-HTS2-SS/-IS/-II



S/S

I/S

I/I

Fig.1

Fig.2

Fig.3

Sizes in mm

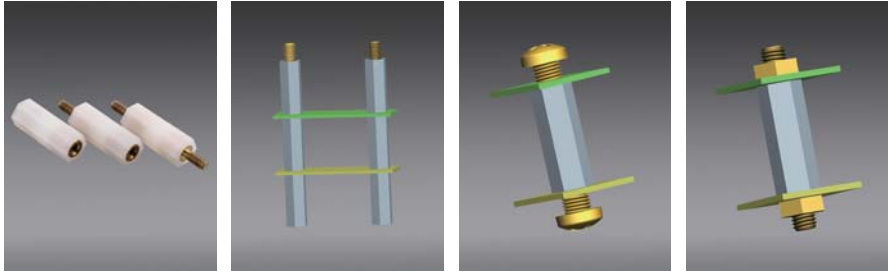
P/N.	Article No.	Cross-Ref.	Body Material	Insert Material	D	L	L1	L2	Thread M	FIG.	Packing Unit
41248	GNSP-HTS2-M4-9.5-90-S2/S2	-	PA66 UL94V2	Brass	9.5	90.0	6.0	-	M4	1	100
42333	GNSP-HTS2-M4-9.5-90-I1/S2	-	PA66 UL94V2	Brass	9.5	90.0	6.0	8.5	M4	2	100
42334	GNSP-HTS2-M4-9.5-90-I1/I1	-	PA66 UL94V2	Brass	9.5	90.0	-	8.5	M4	3	100
43478	GNSP-HTS2-M5-9.5-19-S4/S4	-	PA66 UL94V2	Brass	9.5	19.0	8.0	-	M5	1	500
40682	GNSP-HTS2-M5-9.5-19-I1/S4	-	PA66 UL94V2	Brass	9.5	19.0	8.0	6.3	M5	2	500
43479	GNSP-HTS2-M5-9.5-19-S1/S1	HTNSP-M5-9.5-19-SS	PA66 UL94V2	Brass	9.5	19.0	10.1	-	M5	1	500
43898	GNSP-HTS2-M5-9.5-19-I1/S1	HTNSP-M5-9.5-19-IS	PA66 UL94V2	Brass	9.5	19.0	10.1	6.3	M5	2	500
42336	GNSP-HTS2-M5-9.5-19-I1/I1	HTNSP-M5-9.5-19-II	PA66 UL94V2	Brass	9.5	19.0	-	6.3	M5	3	500
43287	GNSP-HTS2-M5-9.5-20-S1/S1	HTNSP-M5-9.5-20-SS	PA66 UL94V2	Brass	9.5	20.0	10.1	-	M5	1	500
43234	GNSP-HTS2-M5-9.5-20-I1/S1	HTNSP-M5-9.5-20-IS	PA66 UL94V2	Brass	9.5	20.0	10.1	6.3	M5	2	500
43305	GNSP-HTS2-M5-9.5-20-I1/I1	HTNSP-M5-9.5-20-II	PA66 UL94V2	Brass	9.5	20.0	-	6.3	M5	3	500
43288	GNSP-HTS2-M5-9.5-25-S1/S1	HTNSP-M5-9.5-25-SS	PA66 UL94V2	Brass	9.5	25.0	10.1	-	M5	1	500
43235	GNSP-HTS2-M5-9.5-25-I1/S1	HTNSP-M5-9.5-25-IS	PA66 UL94V2	Brass	9.5	25.0	10.1	6.3	M5	2	500
43306	GNSP-HTS2-M5-9.5-25-I1/I1	HTNSP-M5-9.5-25-II	PA66 UL94V2	Brass	9.5	25.0	-	6.3	M5	3	500
40669	GNSP-HTS2-M5-9.5-40-S1/S1	HTNSP-M5-9.5-40-SS	PA66 UL94V2	Brass	9.5	40.0	10.1	-	M5	1	200
40667	GNSP-HTS2-M5-9.5-40-I1/S1	HTNSP-M5-9.5-40-IS	PA66 UL94V2	Brass	9.5	40.0	10.1	6.3	M5	2	200
40668	GNSP-HTS2-M5-9.5-40-I1/I1	HTNSP-M5-9.5-40-II	PA66 UL94V2	Brass	9.5	40.0	-	6.3	M5	3	200
40672	GNSP-HTS2-M5-9.5-45-S1/S1	HTNSP-M5-9.5-45-SS	PA66 UL94V2	Brass	9.5	45.0	10.1	-	M5	1	200
40670	GNSP-HTS2-M5-9.5-45-I1/S1	HTNSP-M5-9.5-45-IS	PA66 UL94V2	Brass	9.5	45.0	10.1	6.3	M5	2	200
40671	GNSP-HTS2-M5-9.5-45-I1/I1	HTNSP-M5-9.5-45-II	PA66 UL94V2	Brass	9.5	45.0	-	6.3	M5	3	200
43289	GNSP-HTS2-M5-9.5-50-S1/S1	HTNSP-M5-9.5-50-SS	PA66 UL94V2	Brass	9.5	50.0	10.1	-	M5	1	200
43236	GNSP-HTS2-M5-9.5-50-I1/S1	HTNSP-M5-9.5-50-IS	PA66 UL94V2	Brass	9.5	50.0	10.1	6.3	M5	2	200
43307	GNSP-HTS2-M5-9.5-50-I1/I1	HTNSP-M5-9.5-50-II	PA66 UL94V2	Brass	9.5	50.0	-	6.3	M5	3	200
42335	GNSP-HTS2-M5-9.5-58-S4/S4	-	PA66 UL94V2	Brass	9.5	58.0	8.0	-	M5	1	100
40675	GNSP-HTS2-M5-9.5-58-I1/S4	-	PA66 UL94V2	Brass	9.5	58.0	8.0	6.3	M5	2	100
42337	GNSP-HTS2-M5-9.5-58-S1/S1	HTNSP-M5-9.5-58-SS	PA66 UL94V2	Brass	9.5	58.0	10.1	-	M5	1	100
42338	GNSP-HTS2-M5-9.5-58-I1/S1	HTNSP-M5-9.5-58-IS	PA66 UL94V2	Brass	9.5	58.0	10.1	6.3	M5	2	100
41494	GNSP-HTS2-M5-9.5-58-I1/S3	-	PA66 UL94V2	Brass	9.5	58.0	13.0	6.3	M5	2	100
42339	GNSP-HTS2-M5-9.5-58-I1/I1	HTNSP-M5-9.5-58-II	PA66 UL94V2	Brass	9.5	58.0	-	6.3	M5	3	100
40677	GNSP-HTS2-M5-9.5-70-S1/S1	HTNSP-M5-9.5-70-SS	PA66 UL94V2	Brass	9.5	70.0	10.1	-	M5	1	100
40676	GNSP-HTS2-M5-9.5-70-I1/S1	HTNSP-M5-9.5-70-IS	PA66 UL94V2	Brass	9.5	70.0	10.1	6.3	M5	2	100
42340	GNSP-HTS2-M5-9.5-70-I1/I1	HTNSP-M5-9.5-70-II	PA66 UL94V2	Brass	9.5	70.0	-	6.3	M5	3	100
42341	GNSP-HTS2-M5-9.5-84-S1/S1	HTNSP-M5-9.5-84-SS	PA66 UL94V2	Brass	9.5	84.0	10.1	-	M5	1	100
42117	GNSP-HTS2-M5-9.5-84-I1/S1	HTNSP-M5-9.5-84-IS	PA66 UL94V2	Brass	9.5	84.0	10.1	6.3	M5	2	100
42342	GNSP-HTS2-M5-9.5-84-I1/I1	HTNSP-M5-9.5-84-II	PA66 UL94V2	Brass	9.5	84.0	-	6.3	M5	3	100

Material: PA66 UL94V2 (GMS-01); Brass (GMS-13)

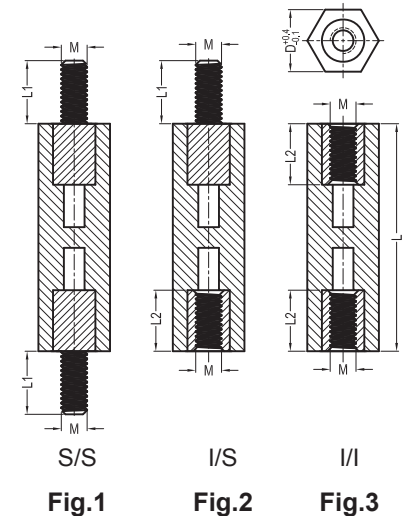


THREADED SPACER

Metric Hex Insulators GNSP-HTS2-SS/-IS/-II Natural



GNSP-HTS2-SS/-IS/-II



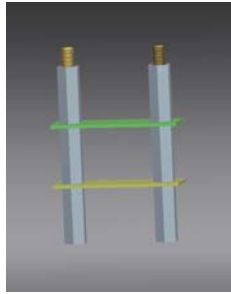
Sizes in mm

P/N.	Article No.	Cross-Ref.	Body Material	Insert Material	D	L	L1	L2	Thread M	FIG.	Packing Unit
42346	GNSP-HTS2-M5-9.5-88.2-S1/S1	HTNSP-M5-9.5-88.2-SS	PA66 UL94V2	Brass	9.5	88.2	10.1	-	M5	1	100
42345	GNSP-HTS2-M5-9.5-88.2-I1/S1	HTNSP-M5-9.5-88.2-IS	PA66 UL94V2	Brass	9.5	88.2	10.1	6.3	M5	2	100
42347	GNSP-HTS2-M5-9.5-88.2-II/I1	HTNSP-M5-9.5-88.2-II	PA66 UL94V2	Brass	9.5	88.2	-	6.3	M5	3	100
42343	GNSP-HTS2-M5-9.5-90-S1/S1	HTNSP-M5-9.5-90-SS	PA66 UL94V2	Brass	9.5	90.0	10.1	-	M5	1	100
41543	GNSP-HTS2-M5-9.5-90-I1/S1	HTNSP-M5-9.5-90-IS	PA66 UL94V2	Brass	9.5	90.0	10.1	6.3	M5	2	100
42344	GNSP-HTS2-M5-9.5-90-II/I1	HTNSP-M5-9.5-90-II	PA66 UL94V2	Brass	9.5	90.0	-	6.3	M5	3	100
43897	GNSP-HTS2-M5-10-20-S2/S2	-	PA66 UL94V2	Brass	9.8	20.0	5.1	-	M5	1	200
43896	GNSP-HTS2-M5-10-20-I1/S2	-	PA66 UL94V2	Brass	9.8	20.0	5.1	6.0	M5	2	200
43895	GNSP-HTS2-M5-10-20-II/I1	-	PA66 UL94V2	Brass	9.8	20.0	-	6.0	M5	3	200
43290	GNSP-HTS2-M5-12.7-20-S1/S1	-	PA66 UL94V2	Brass	12.7	20.0	10.1	-	M5	1	200
43237	GNSP-HTS2-M5-12.7-20-I1/S1	-	PA66 UL94V2	Brass	12.7	20.0	10.1	6.3	M5	2	200
43308	GNSP-HTS2-M5-12.7-20-II/I1	-	PA66 UL94V2	Brass	12.7	20.0	-	6.3	M5	3	200
42312	GNSP-HTS2-M6-12.7-50-S3/S3	HTNSP-M6-12.7-50-SS	PA66 UL94V2	Brass	12.7	50.0	12.7	-	M6	1	100
40701	GNSP-HTS2-M6-12.7-50-I1/S3	HTNSP-M6-12.7-50-IS	PA66 UL94V2	Brass	12.7	50.0	12.7	13.0	M6	2	100
42313	GNSP-HTS2-M6-12.7-50-II/I1	HTNSP-M6-12.7-50-II	PA66 UL94V2	Brass	12.7	50.0	-	13.0	M6	3	100
40699	GNSP-HTS2-M6-12.7-55-S3/S3	HTNSP-M6-12.7-55-SS	PA66 UL94V2	Brass	12.7	55.0	12.7	-	M6	1	100
40697	GNSP-HTS2-M6-12.7-55-I1/S3	HTNSP-M6-12.7-55-IS	PA66 UL94V2	Brass	12.7	55.0	12.7	13.0	M6	2	100
40698	GNSP-HTS2-M6-12.7-55-II/I1	HTNSP-M6-12.7-55-II	PA66 UL94V2	Brass	12.7	55.0	-	13.0	M6	3	100
40700	GNSP-HTS2-M6-12.7-60-S3/S3	HTNSP-M6-12.7-60-SS	PA66 UL94V2	Brass	12.7	60.0	12.7	-	M6	1	100
42314	GNSP-HTS2-M6-12.7-60-I1/S3	HTNSP-M6-12.7-60-IS	PA66 UL94V2	Brass	12.7	60.0	12.7	13.0	M6	2	100
42315	GNSP-HTS2-M6-12.7-60-II/I1	HTNSP-M6-12.7-60-II	PA66 UL94V2	Brass	12.7	60.0	-	13.0	M6	3	100
43291	GNSP-HTS2-M6-12.7-75-S1/S1	HTNSP-M6-12.7-75-SS	PA66 UL94V2	Brass	12.7	75.0	12.0	-	M6	1	100
43238	GNSP-HTS2-M6-12.7-75-I1/S1	HTNSP-M6-12.7-75-IS	PA66 UL94V2	Brass	12.7	75.0	12.0	13.0	M6	2	100
43309	GNSP-HTS2-M6-12.7-75-II/I1	HTNSP-M6-12.7-75-II	PA66 UL94V2	Brass	12.7	75.0	-	13.0	M6	3	100

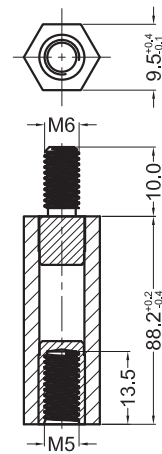
Material: PA66 UL94V2 (GMS-01); Brass (GMS-13)

THREADED SPACER

Metric Hex Insulators GNSP-HTS-M5M6



GNSP-HTS-M5M6

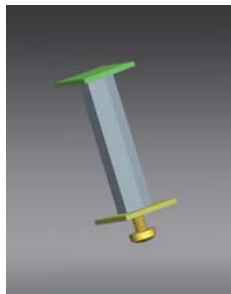


Sizes in mm

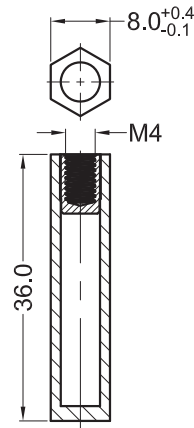
P/N.	Article No.	Body Material	Insert Material	Color	Thread	Packing Unit
41077	GNSP-HTS-M5M6-9.5-88.2-13/S	PA66 UL94V2	Brass	Natural	M5/M6	100

Material: PA66 UL94V2 (GMS-01); Brass (GMS-13)

Metric Hex Insulators GNSP-HTS-M4



GNSP-HTS-M4

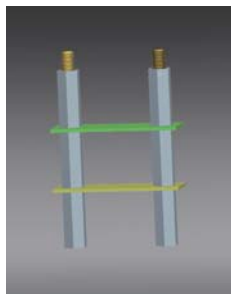


Sizes in mm

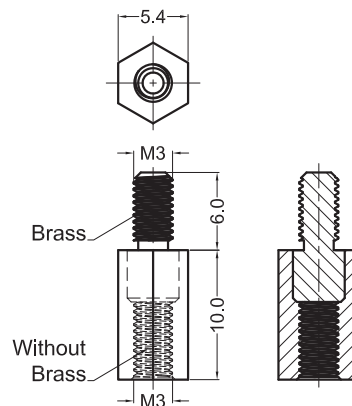
P/N.	Article No.	Body Material	Insert Material	Color	Thread	Packing Unit
41343	GNSP-HTS-M4-8-36-11	PA66 UL94V2	Brass	Natural	M4	500

Material: PA66 UL94V2 (GMS-01); Brass (GMS-13)

Metric Hex Insulators GHTS-M3-5.5



GHTS-M3-5.5



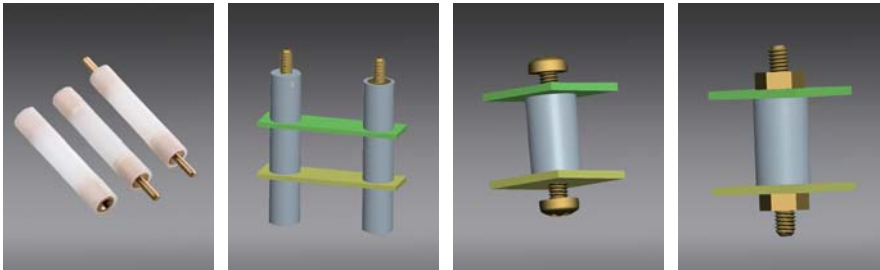
Sizes in mm

P/N.	Article No.	Body Material	Insert Material	Color	Thread	Packing Unit
41041	GHTS-M3-5.5-10M	PPS+GF UL94V0	Brass	Natural	M3	1000

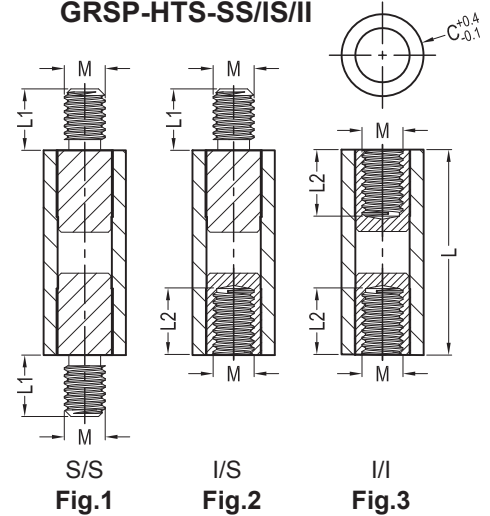
Material: PPS+GF UL94V0 (GMS-14); Brass (GMS-13)

THREADED SPACER

Metric-Round-Insulators GRSP-HTS-SS/-IS/-II Natural



GRSP-HTS-SS/IS/II



Sizes in mm

P/N.	Article No.	Cross-Ref.	Body Material	Insert Material	C	L	L1	L2	Thread M	FIG.	Packing Unit
42304	GRSP-HTS-M2-5.9-30-S1/S1	-	PA66 UL94V2	Brass	5.9	30.0	6.0	-	M2	1	200
40600	GRSP-HTS-M2-5.9-30-I1/S1	-	PA66 UL94V2	Brass	5.9	30.0	6.0	6.0	M2	2	200
42305	GRSP-HTS-M2-5.9-30-II/1	-	PA66 UL94V2	Brass	5.9	30.0	-	6.0	M2	3	200
42306	GRSP-HTS-M3-6.5-12-S2/S2	TNSP-M3-6.5-12-S/S	PA66 UL94V2	Brass	6.5	12.0	4.5	-	M3	1	500
42307	GRSP-HTS-M3-6.5-12-I2/S2	TNSP-M3-6.5-12-I/S	PA66 UL94V2	Brass	6.5	12.0	4.5	4.5	M3	2	500
42220	GRSP-HTS-M3-6.5-12-II/2	TNSP-M3-6.5-12-II	PA66 UL94V2	Brass	6.5	12.0	-	4.5	M3	3	500
42308	GRSP-HTS-M3-6.5-13-S2/S2	TNSP-M3-6.5-13-S/S	PA66 UL94V2	Brass	6.5	13.0	4.5	-	M3	1	500
42309	GRSP-HTS-M3-6.5-13-I2/S2	TNSP-M3-6.5-13-I/S	PA66 UL94V2	Brass	6.5	13.0	4.5	4.5	M3	2	500
42221	GRSP-HTS-M3-6.5-13-II/2	TNSP-M3-6.5-13-II	PA66 UL94V2	Brass	6.5	13.0	-	4.5	M3	3	500
43324	GRSP-HTS-M3-6.5-13-I2/S1	-	PA66 UL94V2	Brass	6.5	13.0	6.0	4.5	M3	2	500
42310	GRSP-HTS-M3-6.5-25-S1/S1	TNSP-M3-6.5-25-S/S	PA66 UL94V2	Brass	6.5	25.0	6.0	-	M3	1	500
42311	GRSP-HTS-M3-6.5-25-I1/S1	TNSP-M3-6.5-25-I/S	PA66 UL94V2	Brass	6.5	25.0	6.0	6.5	M3	2	500
42222	GRSP-HTS-M3-6.5-25-II/1	TNSP-M3-6.5-25-II	PA66 UL94V2	Brass	6.5	25.0	-	6.5	M3	3	500
41261	GRSP-HTS-M4-8-25-S1/S1	TNSP-M4-8-25-S/S	PA66 UL94V2	Brass	8.0	25.0	6.0	-	M4	1	500
41260	GRSP-HTS-M4-8-25-I1/S1	TNSP-M4-8-25-I/S	PA66 UL94V2	Brass	8.0	25.0	6.0	6.0	M4	2	500
41262	GRSP-HTS-M4-8-25-II/1	TNSP-M4-8-25-II	PA66 UL94V2	Brass	8.0	25.0	-	6.0	M4	3	500
40666	GRSP-HTS-M5-9.5-45-S1/S1	TNSP-M5-9.5-45-S/S	PA66 UL94V2	Brass	9.5	45.0	10.0	-	M5	1	200
40664	GRSP-HTS-M5-9.5-45-I1/S1	TNSP-M5-9.5-45-I/S	PA66 UL94V2	Brass	9.5	45.0	10.0	10.5	M5	2	200
40665	GRSP-HTS-M5-9.5-45-II/1	TNSP-M5-9.5-45-II	PA66 UL94V2	Brass	9.5	45.0	-	10.5	M5	3	200

Material: PA66 UL94V2 (GMS-01); Brass (GMS-13)

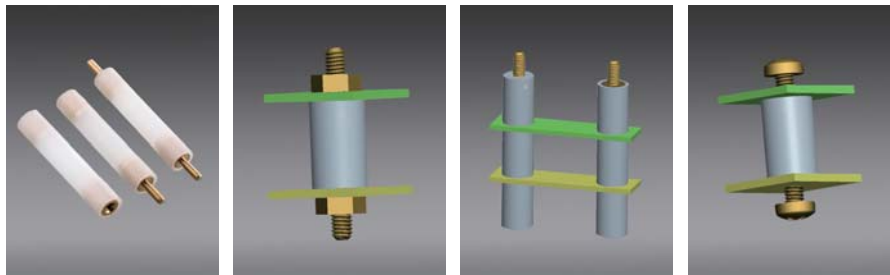
A

THREADED SPACER

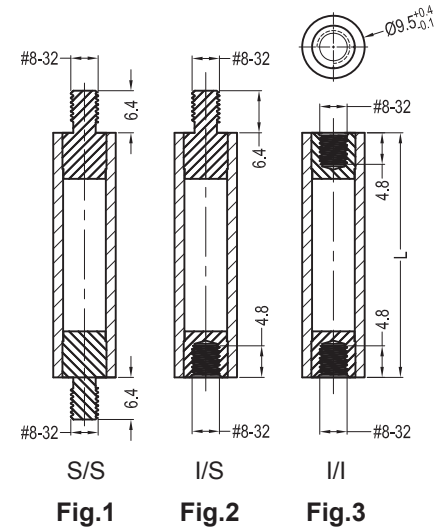
Metric-Round-Insulators

GRSP-HTS-8-32-SS/-IS/-II Natural

A



GRSP-HTS-8-32-SS/-IS/-II



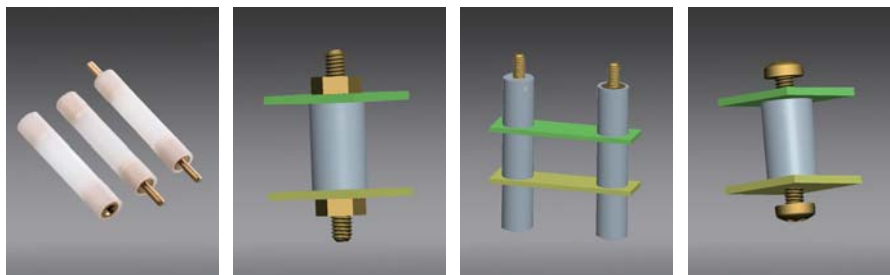
Sizes in mm

P/N.	Article No.	Cross-Ref.	Body Material	Insert Material	L	Thread	FIG.	Packing Unit
42285	GRSP-HTS-8-32-9.5-57.2-S2/S2	TNSP6-36-832-S/S	PA66 UL94V2	Brass	57.2	#8-32	1	100
42137	GRSP-HTS-8-32-9.5-57.2-I2/S2	TNSP6-36-832-I/S	PA66 UL94V2	Brass	57.2	#8-32	2	100
42099	GRSP-HTS-8-32-9.5-57.2-I2/I2	TNSP6-36-832-I/I	PA66 UL94V2	Brass	57.2	#8-32	3	100
42287	GRSP-HTS-8-32-9.5-25.4-S2/S2	TNSP6-16-832-S/S	PA66 UL94V2	Brass	25.4	#8-32	1	200
42055	GRSP-HTS-8-32-9.5-25.4-I2/S2	TNSP6-16-832-I/S	PA66 UL94V2	Brass	25.4	#8-32	2	200
42286	GRSP-HTS-8-32-9.5-25.4-I2/I2	TNSP6-16-832-I/I	PA66 UL94V2	Brass	25.4	#8-32	3	200

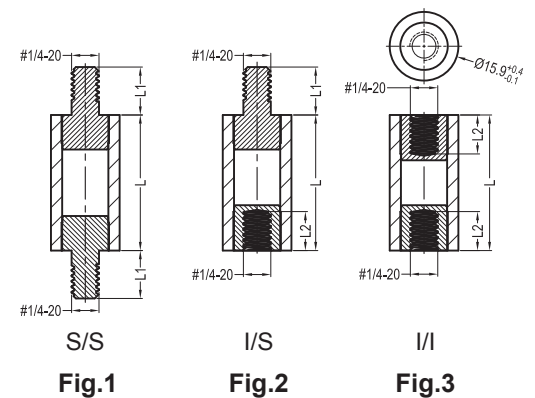
Material: PA66 UL94V2 (GMS-01); Brass (GMS-13)

Metric-Round-Insulators

GRSP-HTS-1/4-20-SS/-IS/-II Natural



GRSP-HTS-1/4-20-SS/-IS/-II



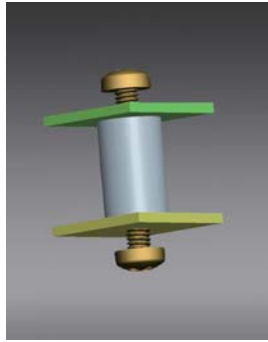
Sizes in mm

P/N.	Article No.	Cross-Ref.	Body Material	Insert Material	L	L1	L2	Thread	FIG.	Packing Unit
41063	GRSP-HTS-1/4-20-15.9-3-S1/S1	TNSP10-20-1/420-S/S	PA66 UL94V2	Brass	31.7	11.1	8.3	#1/4-20	1	100
41064	GRSP-HTS-1/4-20-15.9-3-I1/S1	TNSP10-20-1/420-I/S	PA66 UL94V2	Brass	31.7	11.1	8.3	#1/4-20	2	100
41065	GRSP-HTS-1/4-20-15.9-3-I1/I1	TNSP10-20-1/420-I/I	PA66 UL94V2	Brass	31.7	11.1	8.3	#1/4-20	3	100
41071	GRSP-HTS-1/4-20-15.9-3-S3/S3	-	PA66 UL94V2	Brass	31.7	14.3	11.5	#1/4-20	1	100
41072	GRSP-HTS-1/4-20-15.9-3-I3/S3	-	PA66 UL94V2	Brass	31.7	14.3	11.5	#1/4-20	2	100
41073	GRSP-HTS-1/4-20-15.9-3-I3/I3	-	PA66 UL94V2	Brass	31.7	14.3	11.5	#1/4-20	3	100

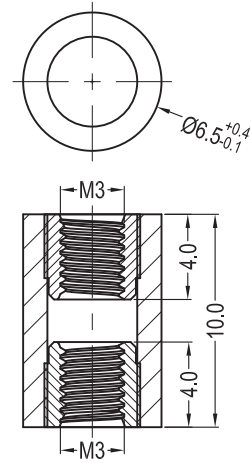
Material: PA66 UL94V2 (GMS-01); Brass (GMS-13)

THREADED SPACER

Metric-Round-Insulators GRSP-HTS-M3



GRSP-HTS-M3

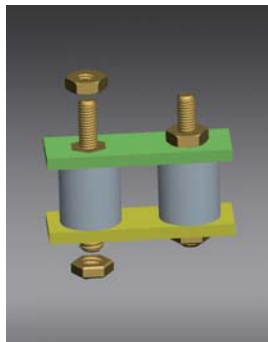


Sizes in mm

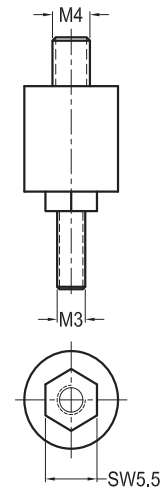
P/N.	Article No.	Cross-Ref.	Body Material	Insert Material	Color	Thread	Packing Unit
40694	GRSP-HTS-M3-6.5-10-I4/I4	TNSP-M3-6.5-10-I/I	PA66 UL94V2	Brass	Natural	M3	1000

Material: PA66 UL94V2 (GMS-01); Brass (GMS-13)

Coupler Insulator Metric GRTN-M3-M4



GRTN-M3-M4



Sizes in mm

P/N.	Article No.	Body Material	Insert Material	Color	Thread	Packing Unit
43435	GRTN-M3-M4	PSU UL94HB	Brass	Natural	M3/M4	1000

Material: PSU UL94HB (GMS-28); Brass (GMS-13); Available on Request



SPACER ON ADHESIVE BASE

Push Spacer on Adhesive Base

GCBS/GCBS2 Natural

A

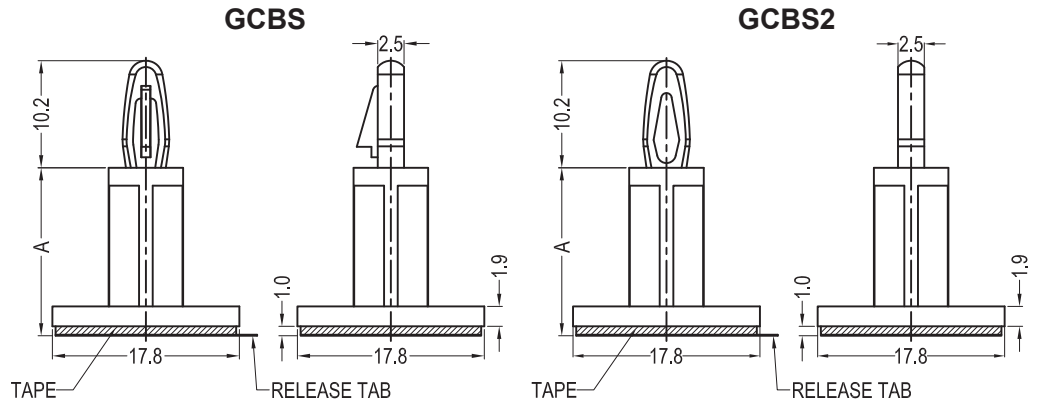


Fig.1

Top Hole: 4.0±0.08mm
Panel Thickness: 1.57mm

GCBS2

Fig.2

Top Hole: 4.0±0.08mm
Panel Thickness: 1.57mm

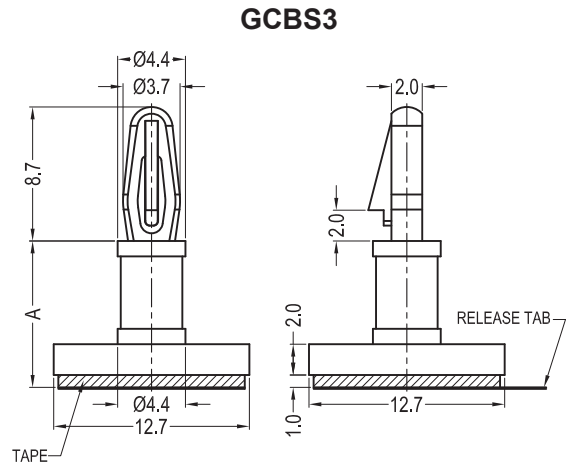
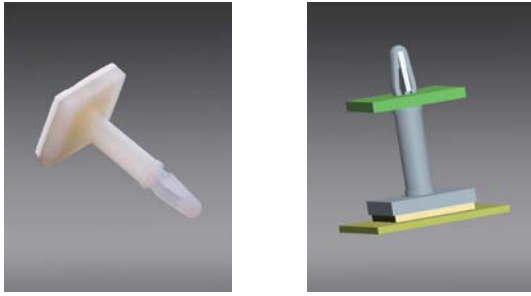
Sizes in mm

P/N.	Article No.	Cross-Ref.	Material	A	FIG.	Adhesive Tape	Packing Unit
40992	GCBS-3-66-AT	LCBSB-3-01A-RT	PA66 UL94V2	4.8	1	17.0*17.0A*1.0	1000
42275	GCBS-6M-66-AT	LCBSB-6M-01A-RT	PA66 UL94V2	6.0	1	17.0*17.0A*1.0	1000
40993	GCBS-4-66-AT	LCBSB-4-01A-RT	PA66 UL94V2	6.4	1	17.0*17.0A*1.0	1000
41329	GCBS-8M-66-AT	LCBSB-8M-01A-RT	PA66 UL94V2	8.0	1	17.0*17.0A*1.0	1000
40994	GCBS-6-66-AT	LCBSB-6-01A-RT	PA66 UL94V2	9.5	1	17.0*17.0A*1.0	1000
42224	GCBS-10M-66-AT	LCBSB-10M-01A-RT	PA66 UL94V2	10.0	1	17.0*17.0A*1.0	1000
42705	GCBS-12M-66-AT	LCBSB-12M-01A-RT	PA66 UL94V2	12.0	1	17.0*17.0A*1.0	1000
40995	GCBS-8-66-AT	LCBSB-8-01A-RT	PA66 UL94V2	12.7	1	17.0*17.0A*1.0	1000
42635	GCBS-14M-66-AT	LCBSB-14M-01A-RT	PA66 UL94V2	14.0	1	17.0*17.0A*1.0	1000
40996	GCBS-10-66-AT	LCBSB-10-01A-RT	PA66 UL94V2	15.9	1	17.0*17.0A*1.0	1000
42636	GCBS-16M-66-AT	LCBSB-16M-01A-RT	PA66 UL94V2	16.0	1	17.0*17.0A*1.0	1000
40997	GCBS-12-66-AT	LCBSB-12-01A-RT	PA66 UL94V2	19.1	1	17.0*17.0A*1.0	1000
40998	GCBS-14-66-AT	LCBSB-14-01A-RT	PA66 UL94V2	22.2	1	17.0*17.0A*1.0	1000
40999	GCBS-16-66-AT	LCBSB-16-01A-RT	PA66 UL94V2	25.4	1	17.0*17.0A*1.0	1000
41000	GCBS-18-66-AT	LCBSB-18-01A-RT	PA66 UL94V2	28.6	1	17.0*17.0A*1.0	1000
41001	GCBS2-3-66-AT	CBSB-3-01A-RT	PA66 UL94V2	4.8	2	17.0*17.0A*1.0	1000
42547	GCBS2-6M-66-AT	CBSB-6M-01A-RT	PA66 UL94V2	6.0	2	17.0*17.0A*1.0	1000
41002	GCBS2-4-66-AT	CBSB-4-01A-RT	PA66 UL94V2	6.4	2	17.0*17.0A*1.0	1000
42548	GCBS2-8M-66-AT	CBSB-8M-01A-RT	PA66 UL94V2	8.0	2	17.0*17.0A*1.0	1000
41003	GCBS2-6-66-AT	CBSB-6-01A-RT	PA66 UL94V2	9.5	2	17.0*17.0A*1.0	1000
42549	GCBS2-10M-66-AT	CBSB-10M-01A-RT	PA66 UL94V2	10.0	2	17.0*17.0A*1.0	1000
42706	GCBS2-12M-66-AT	CBSB-12M-01A-RT	PA66 UL94V2	12.0	2	17.0*17.0A*1.0	1000
41004	GCBS2-8-66-AT	CBSB-8-01A-RT	PA66 UL94V2	12.7	2	17.0*17.0A*1.0	1000
42691	GCBS2-14M-66-AT	CBSB-14M-01A-RT	PA66 UL94V2	14.0	2	17.0*17.0A*1.0	1000
41005	GCBS2-10-66-AT	CBSB-10-01A-RT	PA66 UL94V2	15.9	2	17.0*17.0A*1.0	1000
42692	GCBS2-16M-66-AT	CBSB-16M-01A-RT	PA66 UL94V2	16.0	2	17.0*17.0A*1.0	1000
41006	GCBS2-12-66-AT	CBSB-12-01A-RT	PA66 UL94V2	19.1	2	17.0*17.0A*1.0	1000
41007	GCBS2-14-66-AT	CBSB-14-01A-RT	PA66 UL94V2	22.2	2	17.0*17.0A*1.0	1000
41008	GCBS2-16-66-AT	CBSB-16-01A-RT	PA66 UL94V2	25.4	2	17.0*17.0A*1.0	1000
41009	GCBS2-18-66-AT	CBSB-18-01A-RT	PA66 UL94V2	28.6	2	17.0*17.0A*1.0	1000

Material: PA66 UL94V2 (GMS-01); Acrylic Adhesive Tape (GMS-06); Optional: Rubber Adhesive Tape (GMS-61);
To order Rubber, please change -AT to -RT in Article No. (Example: GCBS-3-66-RT)

SPACER ON ADHESIVE BASE

Push Spacer on Adhesive Base GCBS3



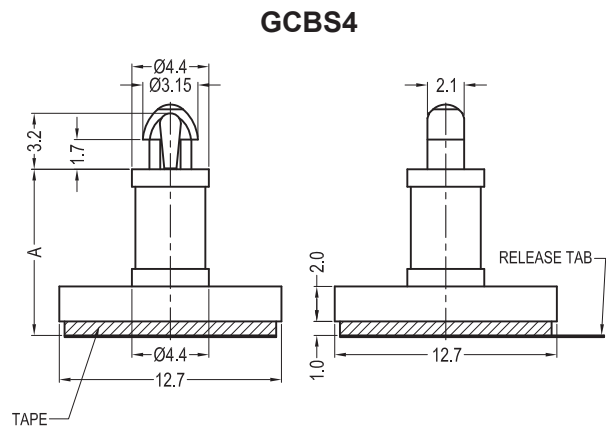
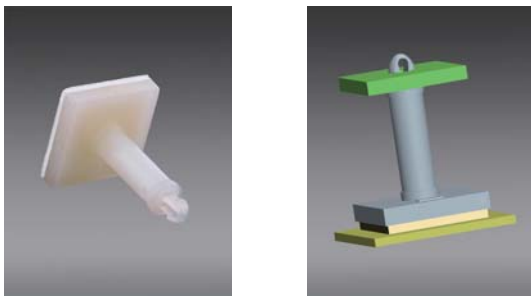
Top Hole: 3.18±0.05mm
Panel Thickness: 1.57mm

Sizes in mm

P/N.	Article No.	Cross-Ref.	Material	Color	A	Adhesive Tape	Packing Unit
41018	GCBS3-3-66-AT	LCBSBM-3-01A-RT	PA66 UL94V2	Natural	4.8	12.5*12.5A*1.0	1000
41019	GCBS3-4-66-AT	LCBSBM-4-01A-RT	PA66 UL94V2	Natural	6.4	12.5*12.5A*1.0	1000
42135	GCBS3-5-66-AT	LCBSBM-5-01A-RT	PA66 UL94V2	Natural	7.9	12.5*12.5A*1.0	1000
41020	GCBS3-6-66-AT	LCBSBM-6-01A-RT	PA66 UL94V2	Natural	9.5	12.5*12.5A*1.0	1000
41021	GCBS3-7-66-AT	LCBSBM-7-01A-RT	PA66 UL94V2	Natural	11.1	12.5*12.5A*1.0	1000
41022	GCBS3-8-66-AT	LCBSBM-8-01A-RT	PA66 UL94V2	Natural	12.7	12.5*12.5A*1.0	1000
42136	GCBS3-9-66-AT	LCBSBM-9-01A-RT	PA66 UL94V2	Natural	14.3	12.5*12.5A*1.0	1000
41023	GCBS3-10-66-AT	LCBSBM-10-01A-RT	PA66 UL94V2	Natural	15.9	12.5*12.5A*1.0	1000

Material: PA66 UL94V2 (GMS-01); Acrylic Adhesive Tape (GMS-06); Optional: Rubber Adhesive Tape (GMS-61);
To order Rubber, please change -AT to -RT in Article No. (Example: GCBS3-3-66-RT)

Push Spacer on Adhesive Base GCBS4



Top Hole: 2.54±0.05mm
Panel Thickness: 1.63mm

Sizes in mm

P/N.	Article No.	Cross-Ref.	Material	Color	A	Adhesive Tape	Packing Unit
41024	GCBS4-3-66-AT	CBSBT-3-01A-RT	PA66 UL94V2	Natural	4.8	12.5*12.5A*1.0	1000
41025	GCBS4-4-66-AT	CBSBT-4-01A-RT	PA66 UL94V2	Natural	6.4	12.5*12.5A*1.0	1000
42440	GCBS4-5-66-AT	CBSBT-5-01A-RT	PA66 UL94V2	Natural	7.9	12.5*12.5A*1.0	1000
41026	GCBS4-6-66-AT	CBSBT-6-01A-RT	PA66 UL94V2	Natural	9.5	12.5*12.5A*1.0	1000
41027	GCBS4-7-66-AT	CBSBT-7-01A-RT	PA66 UL94V2	Natural	11.1	12.5*12.5A*1.0	1000
41028	GCBS4-8-66-AT	CBSBT-8-01A-RT	PA66 UL94V2	Natural	12.7	12.5*12.5A*1.0	1000
42441	GCBS4-9-66-AT	CBSBT-9-01A-RT	PA66 UL94V2	Natural	14.3	12.5*12.5A*1.0	1000
41029	GCBS4-10-66-AT	CBSBT-10-01A-RT	PA66 UL94V2	Natural	15.9	12.5*12.5A*1.0	1000

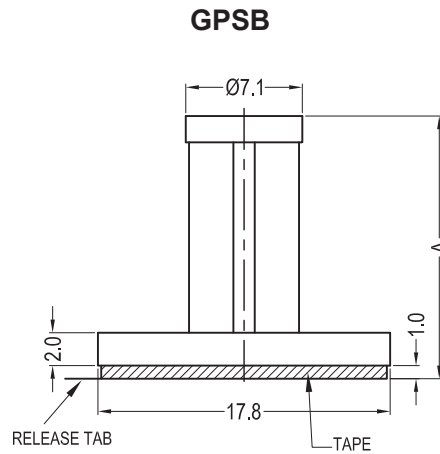
Material: PA66 UL94V2 (GMS-01); Acrylic Adhesive Tape (GMS-06); Optional: Rubber Adhesive Tape (GMS-61);
To order Rubber, please change -AT to -RT in Article No. (Example: GCBS4-3-66-RT)



SPACER ON ADHESIVE BASE

Spacer on Adhesive Base GPSB

A



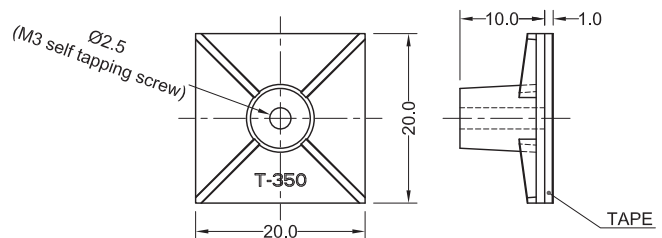
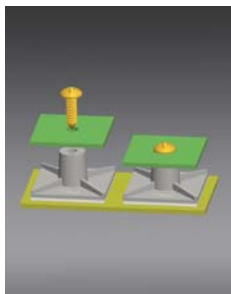
Sizes in mm

P/N.	Article No.	Cross-Ref.	Material	Color	A	Adhesive Tape	Packing Unit
42439	GPSB-6M-66-AT	PSB-6M-01A2-RT	PA66 UL94V2	Natural	6.0	17.0*17.0A*1.0	1000
42444	GPSB-8M-66-AT	PSB-8M-01A2-RT	PA66 UL94V2	Natural	8.0	17.0*17.0A*1.0	1000
42051	GPSB-10M-66-AT	PSB-10M-01A2-RT	PA66 UL94V2	Natural	10.0	17.0*17.0A*1.0	1000
42445	GPSB-12M-66-AT	PSB-12M-01A2-RT	PA66 UL94V2	Natural	12.0	17.0*17.0A*1.0	1000
42446	GPSB-14M-66-AT	PSB-14M-01A2-RT	PA66 UL94V2	Natural	14.0	17.0*17.0A*1.0	1000
42447	GPSB-16M-66-AT	PSB-16M-01A2-RT	PA66 UL94V2	Natural	16.0	17.0*17.0A*1.0	1000
41254	GPSB-6M-V0-AT	PSB-6M-19A2-RT	PA66 UL94V0	Natural	6.0	17.0*17.0A*1.0	1000
41255	GPSB-8M-V0-AT	PSB-8M-19A2-RT	PA66 UL94V0	Natural	8.0	17.0*17.0A*1.0	1000
41256	GPSB-10M-V0-AT	PSB-10M-19A2-RT	PA66 UL94V0	Natural	10.0	17.0*17.0A*1.0	1000
41257	GPSB-12M-V0-AT	PSB-12M-19A2-RT	PA66 UL94V0	Natural	12.0	17.0*17.0A*1.0	1000
41258	GPSB-14M-V0-AT	PSB-14M-19A2-RT	PA66 UL94V0	Natural	14.0	17.0*17.0A*1.0	1000
41259	GPSB-16M-V0-AT	PSB-16M-19A2-RT	PA66 UL94V0	Natural	16.0	17.0*17.0A*1.0	1000

Material: PA66 UL94V2 (GMS-01); PA66 UL94V0 (GMS-02); Acrylic Adhesive Tape (GMS-06); Optional: Rubber Adhesive Tape (GMS-61);
To order Rubber, please change -AT to -RT in Article No. (Example: GPSB-6M-66-RT)

Spacer On Adhesive Base GT-350

GT-350



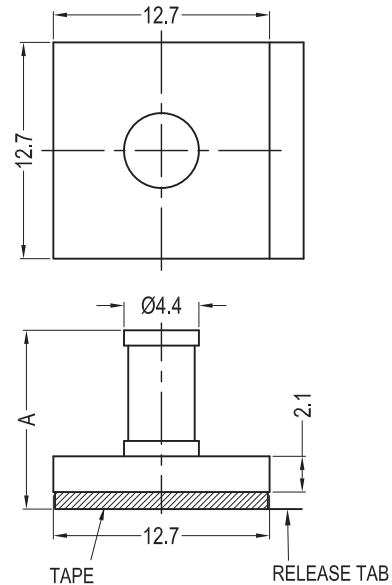
Sizes in mm

P/N.	Article No.	Material	Color	Adhesive Tape	Packing Unit
43575	GT-350	PA66 UL94V2	Natural	20.0*19.2*1.0	100

Miniature Spacer on Adhesive Base GPSBM



GPSBM



Sizes in mm

P/N.	Article No.	Cross-Ref.	Material	Color	A	Adhesive Tape	Packing Unit
42387	GPSBM-3-01N-AT	PSBM-3-01A-RT	PA66 UL94V2	Natural	4.8	12.5*12.5A*1.0	1000
42388	GPSBM-4-01N-AT	PSBM-4-01A-RT	PA66 UL94V2	Natural	6.4	12.5*12.5A*1.0	1000
42389	GPSBM-5-01N-AT	PSBM-5-01A-RT	PA66 UL94V2	Natural	7.9	12.5*12.5A*1.0	1000
42390	GPSBM-6-01N-AT	PSBM-6-01A-RT	PA66 UL94V2	Natural	9.5	12.5*12.5A*1.0	1000
42391	GPSBM-7-01N-AT	PSBM-7-01A-RT	PA66 UL94V2	Natural	11.1	12.5*12.5A*1.0	1000
42392	GPSBM-8-01N-AT	PSBM-8-01A-RT	PA66 UL94V2	Natural	12.7	12.5*12.5A*1.0	1000
42393	GPSBM-9-01N-AT	PSBM-9-01A-RT	PA66 UL94V2	Natural	14.3	12.5*12.5A*1.0	1000
42394	GPSBM-10-01N-AT	PSBM-10-01A-RT	PA66 UL94V2	Natural	15.9	12.5*12.5A*1.0	1000
42395	GPSBM-12-01N-AT	PSBM-12-01A-RT	PA66 UL94V2	Natural	19.1	12.5*12.5A*1.0	1000
42396	GPSBM-14-01N-AT	PSBM-14-01A-RT	PA66 UL94V2	Natural	22.2	12.5*12.5A*1.0	1000
42397	GPSBM-16-01N-AT	-	PA66 UL94V2	Natural	25.4	12.5*12.5A*1.0	1000
42398	GPSBM-3-01B-AT	PSBM-3-01A-RTBK	PA66 UL94V2	Black	4.8	12.5*12.5A*1.0	1000
42399	GPSBM-4-01B-AT	PSBM-4-01A-RTBK	PA66 UL94V2	Black	6.4	12.5*12.5A*1.0	1000
42400	GPSBM-5-01B-AT	PSBM-5-01A-RTBK	PA66 UL94V2	Black	7.9	12.5*12.5A*1.0	1000
42401	GPSBM-6-01B-AT	PSBM-6-01A-RTBK	PA66 UL94V2	Black	9.5	12.5*12.5A*1.0	1000
42402	GPSBM-7-01B-AT	PSBM-7-01A-RTBK	PA66 UL94V2	Black	11.1	12.5*12.5A*1.0	1000
42403	GPSBM-8-01B-AT	PSBM-8-01A-RTBK	PA66 UL94V2	Black	12.7	12.5*12.5A*1.0	1000
42404	GPSBM-9-01B-AT	PSBM-9-01A-RTBK	PA66 UL94V2	Black	14.3	12.5*12.5A*1.0	1000
42405	GPSBM-10-01B-AT	PSBM-10-01A-RTBK	PA66 UL94V2	Black	15.9	12.5*12.5A*1.0	1000
42406	GPSBM-12-01B-AT	PSBM-12-01A-RTBK	PA66 UL94V2	Black	19.1	12.5*12.5A*1.0	1000
42407	GPSBM-14-01B-AT	PSBM-14-01A-RTBK	PA66 UL94V2	Black	22.2	12.5*12.5A*1.0	1000
42408	GPSBM-16-01B-AT	-	PA66 UL94V2	Black	25.4	12.5*12.5A*1.0	1000

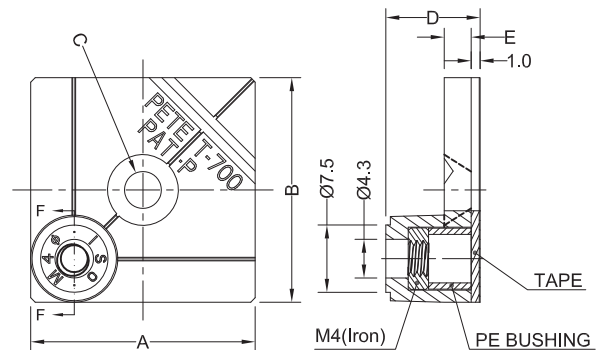
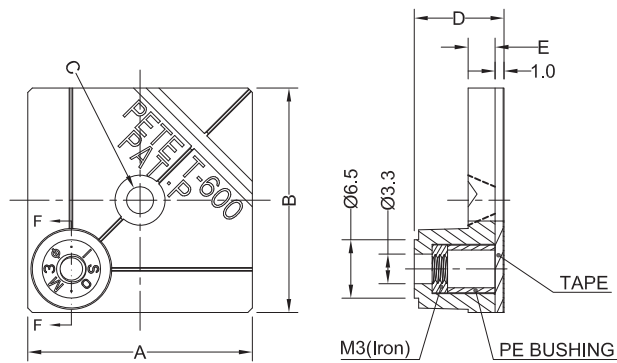
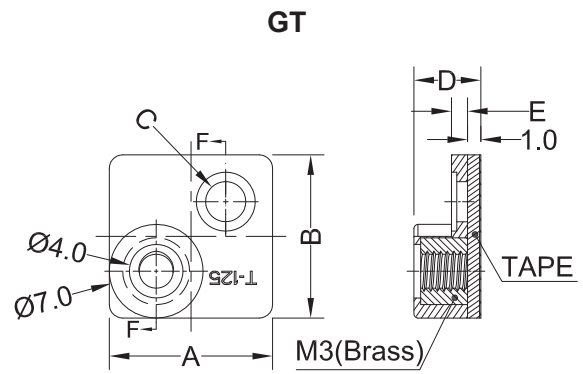
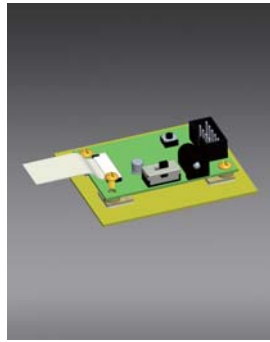
Material: PA66 UL94V2 (GMS-01); Acrylic Adhesive Tape (GMS-06); Optional: Rubber Adhesive Tape (GMS-61);
To order Rubber, please change -AT to -RT in Article No. (Example: GPSBM-3-01N-RT)

SPACER ON ADHESIVE BASE

PCB Holder On Adhesive Base

GT

A



Sizes in mm

P/N.	Article No.	Body Material	Insert Material	Color	A	B	C	D	E	Adhesive Tape	Thread	FIG.	Packing Unit
43574	GT-125	ABS UL94HB	Brass	Black	12.2	12.2	3.0	5.0	1.2	12.0*12.0*1.0	M3	1	100
43576	GT-600	ABS UL94HB	Iron Trivalent Chromium Chromate Plated	Black	25.0	25.0	3.0	10.0	3.0	25.0*23.5*1.0	M3	2	100
43577	GT-700	ABS UL94HB	Iron Trivalent Chromium Chromate Plated	Milky White	25.0	25.0	4.1	10.5	3.0	25.0*24.0*1.0	M4	3	100

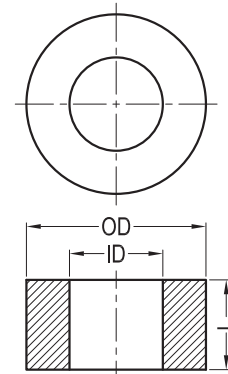
ROUND SPACER

Round Nylon Spacer

OD*ID*L



OD*ID*L



Sizes in mm

P/N.	Article No.	Cross-Ref.	Material	Color	OD	ID	L	Packing Unit
42145	OD4*ID1.5*L3	-	PA6+GF UL94HB	Black	4.0	1.5	3.0	1000
42144	OD4*ID1.5*L4	-	PA6+GF UL94HB	Black	4.0	1.5	4.0	1000
42141	OD4*ID2.2*L2	-	PA6+GF UL94HB	Black	4.0	2.2	2.0	1000
43167	OD4*ID2.2*L2N	-	PA6+GF UL94HB	Natural	4.0	2.2	2.0	1000
42140	OD4*ID2.2*L4	-	PA6+GF UL94HB	Black	4.0	2.2	4.0	1000
42142	OD4*ID2.2*L7	-	PA6+GF UL94HB	Black	4.0	2.2	7.0	1000
42143	OD4*ID2.2*L11	-	PA6+GF UL94HB	Black	4.0	2.2	11.0	1000
42147	OD4*ID2.2*L29	-	PA6+GF UL94HB	Black	4.0	2.2	29.0	1000
42183	OD5*ID2.7*L3	RRSN-2750-03-GF	PA6+GF UL94HB	Black	5.0	2.7	3.0	1000
42169	OD5*ID2.7*L3-66	-	PA66 UL94V2	Black	5.0	2.7	3.0	1000
42601	OD5*ID2.7*L3H	RRSN-2750-03	HIPS UL94HB	Natural	5.0	2.7	3.0	1000
42182	OD5*ID2.7*L4	-	PA6+GF UL94HB	Black	5.0	2.7	4.0	1000
42181	OD5*ID2.7*L5	RRSN-2750-05-GF	PA6+GF UL94HB	Black	5.0	2.7	5.0	1000
42602	OD5*ID2.7*L5H	RRSN-2750-05	HIPS UL94HB	Natural	5.0	2.7	5.0	1000
42184	OD5*ID2.7*L6	-	PA6+GF UL94HB	Black	5.0	2.7	6.0	1000
42185	OD5*ID2.7*L10	RRSN-2750-10-GF	PA6+GF UL94HB	Black	5.0	2.7	10.0	1000
42197	OD5*ID3.2*L8	-	PA6+GF UL94HB	Black	5.0	3.2	8.0	1000
42191	OD6*ID3.4*L3	-	PA6+GF UL94HB	Black	6.0	3.4	3.0	1000
42442	OD6*ID3.4*L3-66N	005371400002	PA66 UL94V2	Natural	6.0	3.4	3.0	1000
42190	OD6*ID3.4*L4	-	PA6+GF UL94HB	Black	6.0	3.4	4.0	1000
42188	OD6*ID3.4*L5	RRSN-3460-05-GF	PA6+GF UL94HB	Black	6.0	3.4	5.0	1000
42603	OD6*ID3.4*L5H	005371800014	HIPS UL94HB	Natural	6.0	3.4	5.0	1000
42189	OD6*ID3.4*L6	-	PA6+GF UL94HB	Black	6.0	3.4	6.0	1000
42352	OD6*ID3.4*L6H	005372000014	HIPS UL94HB	Natural	6.0	3.4	6.0	1000
42187	OD6*ID3.4*L10	-	PA6+GF UL94HB	Black	6.0	3.4	10.0	1000
43915	OD6*ID3.4*L10-66N	005372800002	PA66 UL94V2	Natural	6.0	3.4	10.0	1000
42186	OD6*ID3.4*L12	-	PA6+GF UL94HB	Black	6.0	3.4	12.0	1000
42192	OD7*ID3.4*L3	-	PA6+GF UL94HB	Black	7.0	3.4	3.0	1000
42193	OD7*ID3.4*L4.2-POM	-	POM UL94HB	Natural	7.0	3.4	4.2	1000

Material: PA6+GF UL94HB (GMS-12); PA66 UL94V2 (GMS-01); PA66 UL94V0 (GMS-02); HIPS UL94HB (GMS-15); POM UL94HB (GMS-16); PSU UL94HB (GMS-28)



sales@sucatec.com



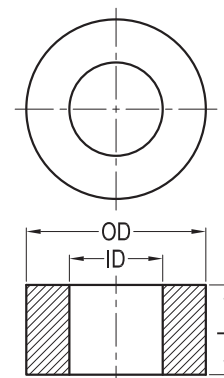
www.sucatec.com

ROUND SPACER

Round Nylon Spacer

OD*ID*L

OD*ID*L



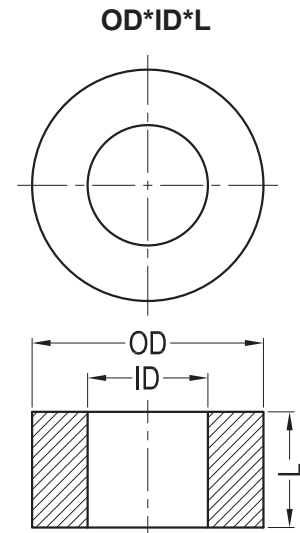
Sizes in mm

P/N.	Article No.	Cross-Ref.	Material	Color	OD	ID	L	Packing Unit
42195	OD8*ID4.2*L5	-	PA6+GF UL94HB	Black	8.0	4.2	5.0	1000
42353	OD8*ID4.2*L5H	005422000014	HIPS UL94HB	Natural	8.0	4.2	5.0	1000
42593	OD8*ID4.2*L5-66N	005422000002	PA66 UL94V2	Natural	8.0	4.2	5.0	1000
42196	OD8*ID4.2*L6	-	PA6+GF UL94HB	Black	8.0	4.2	6.0	1000
42203	OD8*ID4.2*L8	RRSN-4280-08-GF	PA6+GF UL94HB	Black	8.0	4.2	8.0	1000
42354	OD8*ID4.2*L8H	005425600014	HIPS UL94HB	Natural	8.0	4.2	8.0	1000
42194	OD8*ID4.2*L10	RRSN-4280-10-GF	PA6+GF UL94HB	Black	8.0	4.2	10.0	1000
42355	OD8*ID4.2*L10H	005428000014	HIPS UL94HB	Natural	8.0	4.2	10.0	1000
43914	OD8*ID4.2*L10-66N	005428000002	PA66 UL94V2	Natural	8.0	4.2	10.0	1000
43477	OD8*ID4.2*L11.95N-PSU	-	PSU UL94HB	Natural	8.0	4.2	12.0	1000
42202	OD8*ID4.2*L35	-	PA6+GF UL94HB	Black	8.0	4.2	35.0	1000
42288	OD10*ID5.2*L5-66N	005456000002	PA66 UL94V2	Natural	10.0	5.2	5.0	1000
42351	OD10*ID5.2*L5-NV0	-	PA66 UL94V0	Natural	10.0	5.2	5.0	1000
42201	OD10*ID5.2*L10	-	PA6+GF UL94HB	Black	10.0	5.2	10.0	1000
42690	OD10*ID5.2*L10-66N	005462000002	PA66 UL94V2	Natural	10.0	5.2	10.0	1000
42104	OD10*ID5.2*L16	-	PA6+GF UL94HB	Black	10.0	5.2	16.0	1000
42149	OD10*ID5.2*L20	-	PA6+GF UL94HB	Black	10.0	5.2	20.0	1000
42689	OD10*ID5.2*L20-66N	005468000002	PA66 UL94V2	Natural	10.0	5.2	20.0	1000
42148	OD10*ID5.2*L30	-	PA6+GF UL94HB	Black	10.0	5.2	30.0	1000
42205	OD10*ID6.2*L4	-	PA6+GF UL94HB	Black	10.0	6.2	4.0	1000
42206	OD10*ID6.2*L6-66N	-	PA66 UL94V2	Natural	10.0	6.2	6.0	1000
42204	OD10*ID6.2*L9.3	-	PA6+GF UL94HB	Black	10.0	6.2	9.3	1000
42146	OD10*ID6.2*L30	RRSN-62100-30GF	PA6+GF UL94HB	Black	10.0	6.2	30.0	1000
42608	OD10*ID6.2*L30H	-	HIPS UL94HB	Natural	10.0	6.2	30.0	1000
42154	OD12*ID9.1*L2	-	PA6+GF UL94HB	Black	12.0	9.1	2.0	1000
42470	OD15*ID6.3*L3-66N	005521000002	PA66 UL94V2	Natural	15.0	6.3	3.0	1000
42864	OD16*ID6.2*L3	-	PA6+GF UL94HB	Black	16.0	6.2	3.0	1000
40702	OD16*ID6.2*L3N	-	PA6+GF UL94HB	Natural	16.0	6.2	3.0	1000
42865	OD16*ID6.2*L4	-	PA6+GF UL94HB	Black	16.0	6.2	4.0	1000

Material: PA6+GF UL94HB (GMS-12); PA66 UL94V2 (GMS-01); PA66 UL94V0 (GMS-02); HIPS UL94HB (GMS-15); POM UL94HB (GMS-16); PSU UL94HB (GMS-28)

ROUND SPACER

Round Nylon Spacer OD*ID*L



Sizes in mm

P/N.	Article No.	Cross-Ref.	Material	Color	OD	ID	L	Packing Unit
40703	OD16*ID6.2*L4N	-	PA6+GF UL94HB	Natural	16.0	6.2	4.0	1000
42866	OD16*ID6.2*L5	-	PA6+GF UL94HB	Black	16.0	6.2	5.0	1000
40704	OD16*ID6.2*L5N	-	PA6+GF UL94HB	Natural	16.0	6.2	5.0	1000
42867	OD16*ID6.2*L6	-	PA6+GF UL94HB	Black	16.0	6.2	6.0	1000
40705	OD16*ID6.2*L6N	-	PA6+GF UL94HB	Natural	16.0	6.2	6.0	1000
42868	OD16*ID6.2*L7	-	PA6+GF UL94HB	Black	16.0	6.2	7.0	1000
40706	OD16*ID6.2*L7N	-	PA6+GF UL94HB	Natural	16.0	6.2	7.0	1000
40734	OD16*ID6.2*L8	-	PA6+GF UL94HB	Black	16.0	6.2	8.0	1000
40037	OD16*ID6.2*L8N	-	PA6+GF UL94HB	Natural	16.0	6.2	8.0	1000
42869	OD16*ID6.2*L9	-	PA6+GF UL94HB	Black	16.0	6.2	9.0	1000
40707	OD16*ID6.2*L9N	-	PA6+GF UL94HB	Natural	16.0	6.2	9.0	1000
42870	OD16*ID6.2*L10	-	PA6+GF UL94HB	Black	16.0	6.2	10.0	1000
40708	OD16*ID6.2*L10N	-	PA6+GF UL94HB	Natural	16.0	6.2	10.0	1000
42871	OD16*ID6.2*L11	-	PA6+GF UL94HB	Black	16.0	6.2	11.0	1000
40709	OD16*ID6.2*L11N	-	PA6+GF UL94HB	Natural	16.0	6.2	11.0	1000
42872	OD16*ID6.2*L12	-	PA6+GF UL94HB	Black	16.0	6.2	12.0	1000
40710	OD16*ID6.2*L12N	-	PA6+GF UL94HB	Natural	16.0	6.2	12.0	1000
42873	OD16*ID6.2*L13	-	PA6+GF UL94HB	Black	16.0	6.2	13.0	1000
40711	OD16*ID6.2*L13N	-	PA6+GF UL94HB	Natural	16.0	6.2	13.0	1000
42874	OD16*ID6.2*L14	-	PA6+GF UL94HB	Black	16.0	6.2	14.0	1000
40712	OD16*ID6.2*L14N	-	PA6+GF UL94HB	Natural	16.0	6.2	14.0	1000
42875	OD16*ID6.2*L15	-	PA6+GF UL94HB	Black	16.0	6.2	15.0	1000
40713	OD16*ID6.2*L15N	-	PA6+GF UL94HB	Natural	16.0	6.2	15.0	1000
42198	OD16*ID10.4*L6	-	PA6+GF UL94HB	Black	16.0	10.4	6.0	1000
42199	OD16*ID10.4*L36	-	PA6+GF UL94HB	Black	16.0	10.4	36.0	500
42278	OD18*ID8.2*L5-66N	005592000002	PA66 UL94V2	Natural	18.0	8.2	5.0	1000
42277	OD18*ID8.2*L10-66N	005598000002	PA66 UL94V2	Natural	18.0	8.2	10.0	1000

Material: PA6+GF UL94HB (GMS-12); PA66 UL94V2 (GMS-01); PA66 UL94V0 (GMS-02); HIPS UL94HB (GMS-15); POM UL94HB (GMS-16); PSU UL94HB (GMS-28)

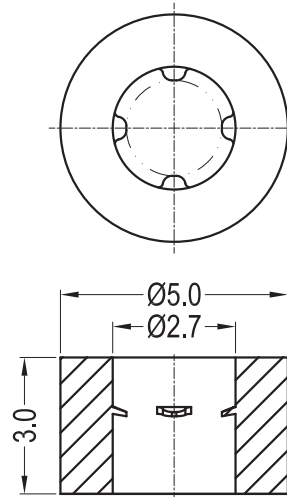
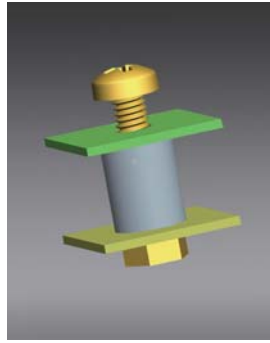


ROUND SPACER

Round Nylon Spacer

OD5*ID2.7*L3-1

OD5*ID2.7*L3-1



Sizes in mm

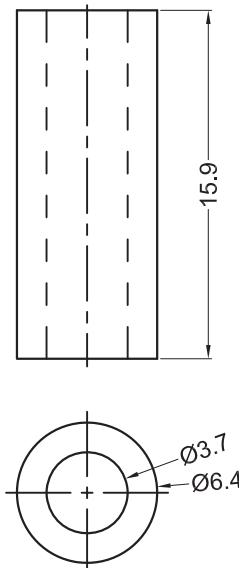
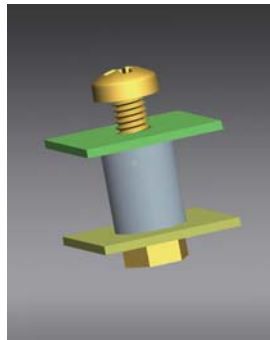
P/N.	Article No.	Material	Color	Packing Unit
42179	OD5*ID2.7*L3-1	PA66 UL94V2	Black	1000

Material: PA66 UL94V2 (GMS-01)

Round Nylon Spacer

GRS-16

GRS-16



Sizes in mm

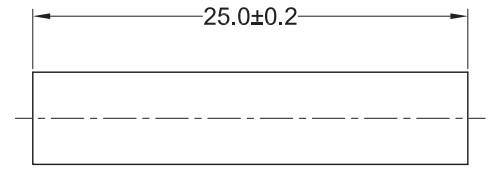
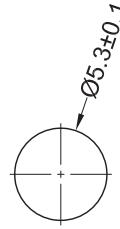
P/N.	Article No.	Cross-Ref.	Material	Color	Packing Unit
60039	GRS-16	SS6-5	PVC UL94V0	Natural	1000

Material: PVC UL94V0 (GMS-17)

ROUND SPACER

PVDF-Rod
OD5.3*L25

OD5.3*L25



Sizes in mm

<u>P/N.</u>	<u>Article No.</u>	<u>Material</u>	<u>Color</u>	<u>Packing Unit</u>
43648	OD5.3*L25	PVDF UL94V0	Black	1000

Material: PVDF UL94V0 (GMS-03)

A

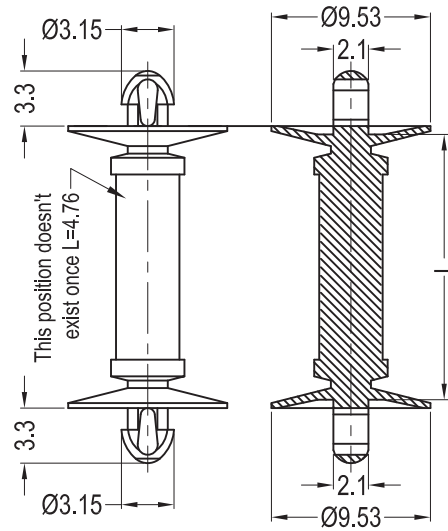
SPECIAL SPACER

Cupped Dual CBS Teardrop GCDLCBST

A



GCDLCBST



Top Hole: 2.54 ± 0.05 mm
 Panel Thickness: 1.57mm
 Bottom Hole: 2.54 ± 0.05 mm
 Panel Thickness: 1.57mm

Sizes in mm

P/N.	Article No.	Cross-Ref.	Material	Color	L	Packing Unit
40661	GCDLCBST-3-01	CDLCBST-3-01	PA66 UL94V2	Natural	4.76	1000
40662	GCDLCBST-4-01	CDLCBST-4-01	PA66 UL94V2	Natural	6.35	1000
42092	GCDLCBST-5-01	CDLCBST-5-01	PA66 UL94V2	Natural	7.94	1000
42093	GCDLCBST-6-01	CDLCBST-6-01	PA66 UL94V2	Natural	9.53	1000
42094	GCDLCBST-7-01	CDLCBST-7-01	PA66 UL94V2	Natural	11.11	1000
42095	GCDLCBST-8-01	CDLCBST-8-01	PA66 UL94V2	Natural	12.7	1000
42096	GCDLCBST-9-01	CDLCBST-9-01	PA66 UL94V2	Natural	14.29	1000
42097	GCDLCBST-10-01	CDLCBST-10-01	PA66 UL94V2	Natural	15.88	1000

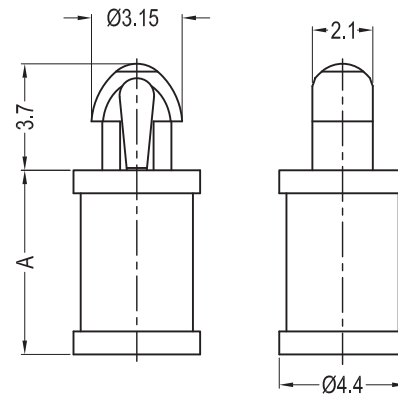
Material: PA66 UL94V2 (GMS-01)

SPECIAL SPACER

Push Spacer GPS-TD



GPS-TD



Top Hole: 2.54±0.05mm
Panel Thickness: 1.63mm

Sizes in mm

P/N.	Article No.	Cross-Ref.	Material	Color	A	Packing Unit
40194	GPS-TD-1-66	PST-1-01	PA66 UL94V2	Natural	1.6	1000
40197	GPS-TD-2-66	PST-2-01	PA66 UL94V2	Natural	3.2	1000
40200	GPS-TD-3-66	PST-3-01	PA66 UL94V2	Natural	4.8	1000
40202	GPS-TD-4-66	PST-4-01	PA66 UL94V2	Natural	6.4	1000
40204	GPS-TD-5-66	PST-5-01	PA66 UL94V2	Natural	7.9	1000
40207	GPS-TD-6-66	PST-6-01	PA66 UL94V2	Natural	9.5	1000
40209	GPS-TD-7-66	PST-7-01	PA66 UL94V2	Natural	11.1	1000
40211	GPS-TD-8-66	PST-8-01	PA66 UL94V2	Natural	12.7	1000
40213	GPS-TD-9-66	PST-9-01	PA66 UL94V2	Natural	14.3	1000
40216	GPS-TD-10-66	PST-10-01	PA66 UL94V2	Natural	15.9	1000
42448	GPS-TD-14-66	PST-14-01	PA66 UL94V2	Natural	22.2	1000
43173	GPS-TD-1-66B	PST-1-01BK	PA66 UL94V2	Black	1.6	1000
40199	GPS-TD-2-66B	PST-2-01BK	PA66 UL94V2	Black	3.2	1000
43176	GPS-TD-3-66B	PST-3-01BK	PA66 UL94V2	Black	4.8	1000
43178	GPS-TD-4-66B	PST-4-01BK	PA66 UL94V2	Black	6.4	1000
43171	GPS-TD-5-66B	PST-5-01BK	PA66 UL94V2	Black	7.9	1000
43181	GPS-TD-6-66B	PST-6-01BK	PA66 UL94V2	Black	9.5	1000
43183	GPS-TD-7-66B	PST-7-01BK	PA66 UL94V2	Black	11.1	1000
43172	GPS-TD-8-66B	PST-8-01BK	PA66 UL94V2	Black	12.7	1000
43186	GPS-TD-9-66B	PST-9-01BK	PA66 UL94V2	Black	14.3	1000
43188	GPS-TD-10-66B	PST-10-01BK	PA66 UL94V2	Black	15.9	1000
43190	GPS-TD-14-66B	PST-14-01BK	PA66 UL94V2	Black	22.2	1000
40196	GPS-TD-1-66-Y	-	PA66 UL94V2	Yellow	1.6	1000
43192	GPS-TD-2-66-Y	-	PA66 UL94V2	Yellow	3.2	1000
43193	GPS-TD-3-66-Y	-	PA66 UL94V2	Yellow	4.8	1000
43194	GPS-TD-4-66-Y	-	PA66 UL94V2	Yellow	6.4	1000
40206	GPS-TD-5-66-Y	-	PA66 UL94V2	Yellow	7.9	1000
43195	GPS-TD-6-66-Y	-	PA66 UL94V2	Yellow	9.5	1000

Material: PA66 UL94V2 (GMS-01); PA66 UL94V0 (GMS-02)



sales@sucatec.com



www.sucatec.com

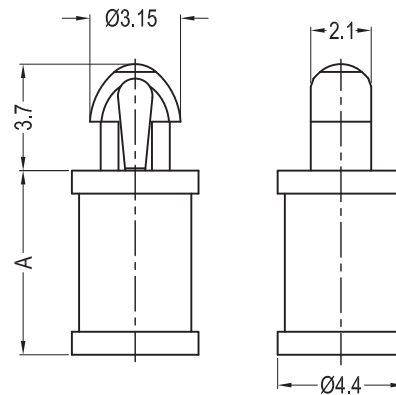
SPECIAL SPACER

Push Spacer GPS-TD

A



GPS-TD



Top Hole: 2.54±0.05mm
Panel Thickness: 1.63mm

Sizes in mm

P/N.	Article No.	Cross-Ref.	Material	Color	A	Packing Unit
43196	GPS-TD-7-66-Y	-	PA66 UL94V2	Yellow	11.1	1000
43197	GPS-TD-8-66-Y	-	PA66 UL94V2	Yellow	12.7	1000
40215	GPS-TD-9-66-Y	-	PA66 UL94V2	Yellow	14.3	1000
40218	GPS-TD-10-66-Y	-	PA66 UL94V2	Yellow	15.9	1000
43198	GPS-TD-14-66-Y	-	PA66 UL94V2	Yellow	22.2	1000
40195	GPS-TD-1-V0	PST-1-19	PA66 UL94V0	Natural	1.6	1000
40198	GPS-TD-2-V0	PST-2-19	PA66 UL94V0	Natural	3.2	1000
40201	GPS-TD-3-V0	PST-3-19	PA66 UL94V0	Natural	4.8	1000
40203	GPS-TD-4-V0	PST-4-19	PA66 UL94V0	Natural	6.4	1000
40205	GPS-TD-5-V0	PST-5-19	PA66 UL94V0	Natural	7.9	1000
40208	GPS-TD-6-V0	PST-6-19	PA66 UL94V0	Natural	9.5	1000
40210	GPS-TD-7-V0	PST-7-19	PA66 UL94V0	Natural	11.1	1000
40212	GPS-TD-8-V0	PST-8-19	PA66 UL94V0	Natural	12.7	1000
40214	GPS-TD-9-V0	PST-9-19	PA66 UL94V0	Natural	14.3	1000
40217	GPS-TD-10-V0	PST-10-19	PA66 UL94V0	Natural	15.9	1000
42449	GPS-TD-14-V0	PST-14-19	PA66 UL94V0	Natural	22.2	1000
43174	GPS-TD-1-BV0	PST-1-19BK	PA66 UL94V0	Black	1.6	1000
43175	GPS-TD-2-BV0	PST-2-19BK	PA66 UL94V0	Black	3.2	1000
43177	GPS-TD-3-BV0	PST-3-19BK	PA66 UL94V0	Black	4.8	1000
43179	GPS-TD-4-BV0	PST-4-19BK	PA66 UL94V0	Black	6.4	1000
43180	GPS-TD-5-BV0	PST-5-19BK	PA66 UL94V0	Black	7.9	1000
43182	GPS-TD-6-BV0	PST-6-19BK	PA66 UL94V0	Black	9.5	1000
43184	GPS-TD-7-BV0	PST-7-19BK	PA66 UL94V0	Black	11.1	1000
43185	GPS-TD-8-BV0	PST-8-19BK	PA66 UL94V0	Black	12.7	1000
43187	GPS-TD-9-BV0	PST-9-19BK	PA66 UL94V0	Black	14.3	1000
43189	GPS-TD-10-BV0	PST-10-19BK	PA66 UL94V0	Black	15.9	1000
43191	GPS-TD-14-BV0	PST-14-19BK	PA66 UL94V0	Black	22.2	1000

Material: PA66 UL94V2 (GMS-01); PA66 UL94V0 (GMS-02)



SPECIAL SPACER

Push Spacer GPS/GMPS

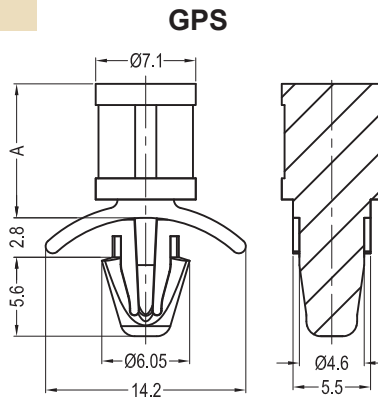


Fig.1

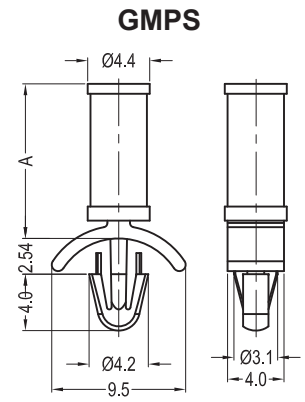


Fig.2

Hole: 4.75±0.08mm
Panel Thickness: 0.79-1.98mm

Hole: 3.18±0.05mm
Panel Thickness: 0.79-1.98mm

Sizes in mm

P/N.	Article No.	Cross-Ref.	Material	Color	A	FIG.	Packing Unit
41196	GPS-3-66	PS-3-01	PA66 UL94V2	Natural	4.8	1	1000
41197	GPS-4-66	PS-4-01	PA66 UL94V2	Natural	6.4	1	1000
41273	GPS-5-66	PS-5-01	PA66 UL94V2	Natural	7.9	1	1000
41198	GPS-6-66	PS-6-01	PA66 UL94V2	Natural	9.5	1	1000
41199	GPS-7-66	PS-7-01	PA66 UL94V2	Natural	11.1	1	1000
41200	GPS-8-66	PS-8-01	PA66 UL94V2	Natural	12.7	1	1000
41201	GPS-10-66	PS-10-01	PA66 UL94V2	Natural	15.9	1	1000
41202	GPS-12-66	PS-12-01	PA66 UL94V2	Natural	19.1	1	1000
41203	GPS-14-66	PS-14-01	PA66 UL94V2	Natural	22.2	1	1000
41350	GPS-3-V0	PS-3-19	PA66 UL94V0	Natural	4.8	1	1000
41351	GPS-4-V0	PS-4-19	PA66 UL94V0	Natural	6.4	1	1000
41352	GPS-5-V0	PS-5-19	PA66 UL94V0	Natural	7.9	1	1000
41353	GPS-6-V0	PS-6-19	PA66 UL94V0	Natural	9.5	1	1000
41354	GPS-7-V0	PS-7-19	PA66 UL94V0	Natural	11.1	1	1000
41355	GPS-8-V0	PS-8-19	PA66 UL94V0	Natural	12.7	1	1000
41356	GPS-10-V0	PS-10-19	PA66 UL94V0	Natural	15.9	1	1000
41357	GPS-12-V0	PS-12-19	PA66 UL94V0	Natural	19.1	1	1000
41358	GPS-14-V0	PS-14-19	PA66 UL94V0	Natural	22.2	1	1000
40627	GMPS-2-66	PSM-2-01	PA66 UL94V2	Natural	3.2	2	1000
40628	GMPS-3-66	PSM-3-01	PA66 UL94V2	Natural	4.8	2	1000
40629	GMPS-4-66	PSM-4-01	PA66 UL94V2	Natural	6.4	2	1000
40630	GMPS-5-66	PSM-5-01	PA66 UL94V2	Natural	7.9	2	1000
40631	GMPS-6-66	PSM-6-01	PA66 UL94V2	Natural	9.5	2	1000
40632	GMPS-7-66	PSM-7-01	PA66 UL94V2	Natural	11.1	2	1000
40633	GMPS-8-66	PSM-8-01	PA66 UL94V2	Natural	12.7	2	1000
40634	GMPS-9-66	PSM-9-01	PA66 UL94V2	Natural	14.3	2	1000
40635	GMPS-10-66	PSM-10-01	PA66 UL94V2	Natural	15.9	2	1000
41274	GMPS-2-V0	PSM-2-19	PA66 UL94V0	Natural	3.2	2	1000
41275	GMPS-3-V0	PSM-3-19	PA66 UL94V0	Natural	4.8	2	1000
41276	GMPS-4-V0	PSM-4-19	PA66 UL94V0	Natural	6.4	2	1000
41277	GMPS-5-V0	PSM-5-19	PA66 UL94V0	Natural	7.9	2	1000
41278	GMPS-6-V0	PSM-6-19	PA66 UL94V0	Natural	9.5	2	1000
41279	GMPS-7-V0	PSM-7-19	PA66 UL94V0	Natural	11.1	2	1000
41280	GMPS-8-V0	PSM-8-19	PA66 UL94V0	Natural	12.7	2	1000
41281	GMPS-9-V0	PSM-9-19	PA66 UL94V0	Natural	14.3	2	1000
41282	GMPS-10-V0	PSM-10-19	PA66 UL94V0	Natural	15.9	2	1000

Material: PA66 UL94V2 (GMS-01); PA66 UL94V0 (GMS-02)

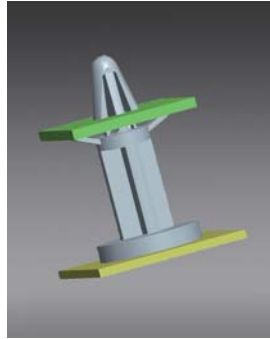


SPECIAL SPACER

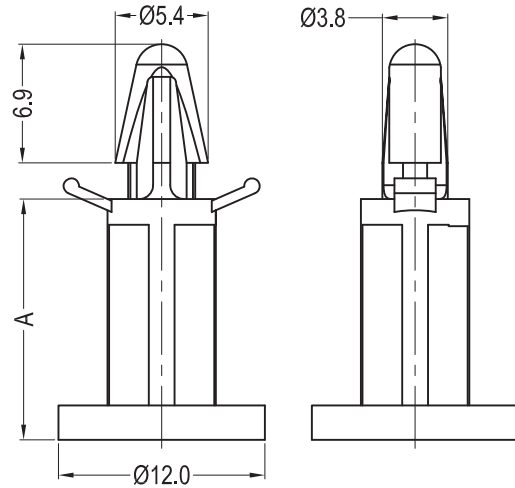
Wire Base Push Spacers

GMBS

A



GMBS



Hole: 4.0±0.08mm
Panel Thickness: 1.2-1.7mm

Sizes in mm

P/N.	Article No.	Material	Color	A	Packing Unit
42110	GMBS-10	PA66 UL94V2	Natural	10.0	1000
42113	GMBS-11	PA66 UL94V2	Natural	11.0	1000
42114	GMBS-14	PA66 UL94V2	Natural	14.0	1000

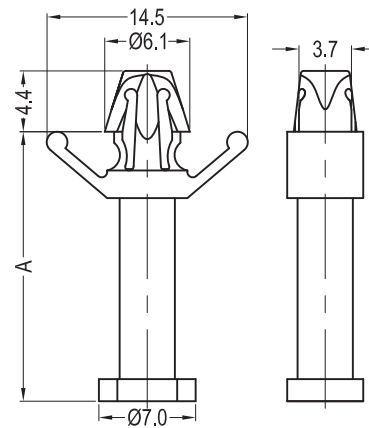
Material: PA66 UL94V2 (GMS-01)

Wire Base Push Spacers

GPLS



GPLS



Hole: 4.8±0.08mm
Panel Thickness: 0.5-2.3mm

Sizes in mm

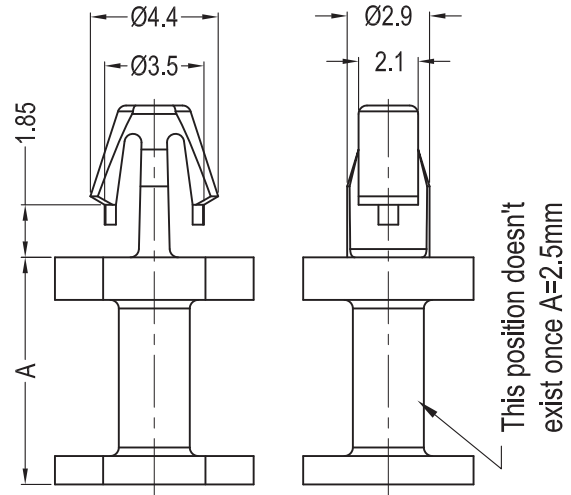
P/N.	Article No.	Material	Color	A	Packing Unit
40966	GPLS-6	PA66 UL94V2	Natural	12.1	1000
41328	GPLS-8	PA66 UL94V2	Natural	15.4	1000
40967	GPLS-10	PA66 UL94V2	Natural	18.6	1000
40598	GPLS-14	PA66 UL94V2	Natural	24.9	1000
43212	GPLS-15	PA66 UL94V2	Natural	27.5	1000
40982	GPLS-18	PA66 UL94V2	Natural	31.4	1000

Material: PA66 UL94V2 (GMS-01)

SPECIAL SPACER

Wire Base Push Spacers GMPS2

GMPS2



Hole: 3.05 ± 0.08 mm
Panel Thickness: 1.6mm

Sizes in mm

P/N.	Article No.	Material	Color	A	Packing Unit
41359	GMPS2-2.5-66	PA66 UL94V2	Natural	2.5	1000
41360	GMPS2-4-66	PA66 UL94V2	Natural	4.0	1000
42610	GMPS2-5-66	PA66 UL94V2	Natural	5.0	1000
41361	GMPS2-6-66	PA66 UL94V2	Natural	6.0	1000
41362	GMPS2-8-66	PA66 UL94V2	Natural	8.0	1000
41363	GMPS2-10-66	PA66 UL94V2	Natural	10.0	1000
41364	GMPS2-12-66	PA66 UL94V2	Natural	12.0	1000
41365	GMPS2-14-66	PA66 UL94V2	Natural	14.0	1000
41366	GMPS2-14.8-66	PA66 UL94V2	Natural	14.8	1000
41367	GMPS2-16-66	PA66 UL94V2	Natural	16.0	1000
41368	GMPS2-18-66	PA66 UL94V2	Natural	18.0	1000
42081	GMPS2-2.5-V0	PA66 UL94V0	Natural	2.5	1000
42082	GMPS2-4-V0	PA66 UL94V0	Natural	4.0	1000
42612	GMPS2-5-V0	PA66 UL94V0	Natural	5.0	1000
42083	GMPS2-6-V0	PA66 UL94V0	Natural	6.0	1000
42084	GMPS2-8-V0	PA66 UL94V0	Natural	8.0	1000
42085	GMPS2-10-V0	PA66 UL94V0	Natural	10.0	1000
42086	GMPS2-12-V0	PA66 UL94V0	Natural	12.0	1000
42087	GMPS2-14-V0	PA66 UL94V0	Natural	14.0	1000
42088	GMPS2-14.8-V0	PA66 UL94V0	Natural	14.8	1000
42089	GMPS2-16-V0	PA66 UL94V0	Natural	16.0	1000
42090	GMPS2-18-V0	PA66 UL94V0	Natural	18.0	1000

Material: PA66 UL94V2 (GMS-01); PA66 UL94V0 (GMS-02)

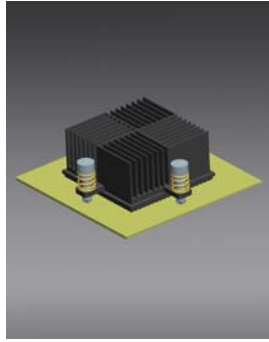


SPECIAL SPACER

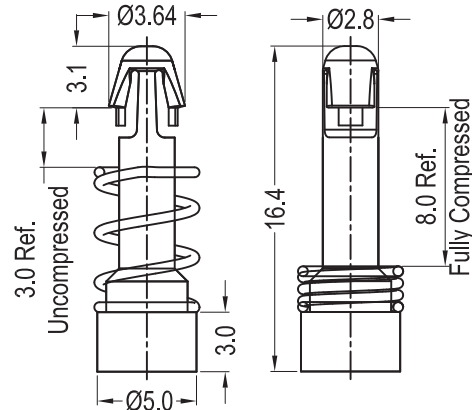
Heat Sink Spring Mount Rivet

GHSR-1

A



GHSR-1



Heat Sink Hole: Inserts through a (3.18-4.0mm) Hole
Chassis Hole: Snap-Lock into a (3.0±0.08mm) Hole

Sizes in mm

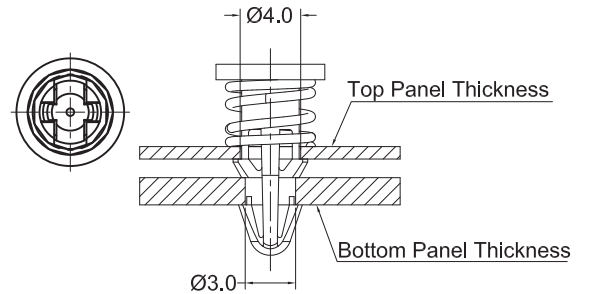
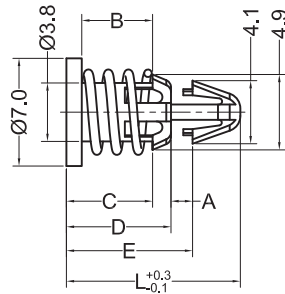
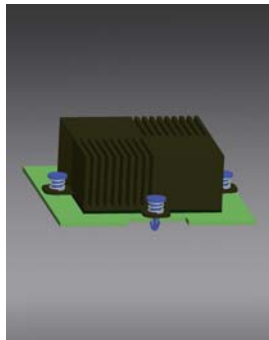
P/N.	Article No.	Cross-Ref.	Rivet Material	Spring Material	Color	Packing Unit
42076	GHSR-1	HSR-1	PA66 UL94V2	Steel, Nickel Plated	Natural	1000

Material: PA66 UL94V2 (GMS-01); Steel Nickel Plated (GMS-19)

Spring Mount Rivet

GMEG

GMEG

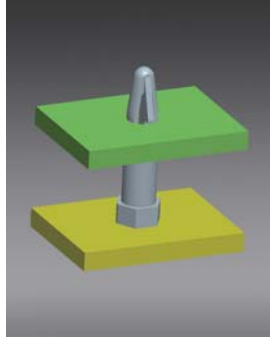


Sizes in mm

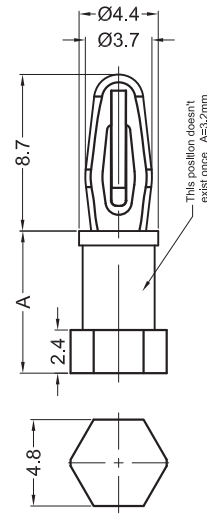
P/N.	Article No.	Rivet Material	Spring Material	Color	L	A	B	C	D	E	Top Panel Thickness	Bottom Panel Thickness	Packing Unit
43493	GMEG64818901	PA66 UL94V2	Steel, Nickel Plated	Natural	11.3	1.4	4.6	5.6	6.8	8.2	0.5-2.5	1.2	1000
43494	GMEG64818902	PA66 UL94V2	Steel, Nickel Plated	Black	11.7	1.7	4.6	5.6	6.8	8.5	0.5-2.5	1.6	1000
43495	GMEG64818903	PA66 UL94V2	Steel, Nickel Plated	Grey	12.2	1.7	5.1	6.1	7.3	9.0	1.0-3.0	1.6	1000
43496	GMEG64818904	PA66 UL94V2	Steel, Nickel Plated	White	11.3	1.4	4.6	5.6	6.8	8.2	0.5-2.5	1.2	1000
43583	GMEG64818905	PA66 UL94V2	Steel, Nickel Plated	Yellow	12.2	1.7	5.1	6.1	7.3	9.0	1.0-3.0	1.6	1000
43584	GMEG64818906	PA66 UL94V2	Steel, Nickel Plated	Brown	11.3	1.4	4.6	5.6	6.8	8.2	0.5-2.5	1.2	1000
43585	GMEG64818907	PA66 UL94V2	Steel, Nickel Plated	Blue	12.2	1.7	5.1	5.1	7.3	9.0	1.0-3.0	1.6	1000

SPECIAL SPACER

Push Spacer GSCBSP



GSCBSP



Hole: 3.2±0.05mm
Panel Thickness: 2.3mm Max.

Sizes in mm

P/N.	Article No.	Material	Color	A	Packing Unit
43728	GSCBSP-2-66	PA66 UL94V2	Natural	3.2	1000
43729	GSCBSP-4-66	PA66 UL94V2	Natural	6.4	1000
43730	GSCBSP-5-66	PA66 UL94V2	Natural	7.9	1000
43731	GSCBSP-6-66	PA66 UL94V2	Natural	9.5	1000
43732	GSCBSP-7-66	PA66 UL94V2	Natural	11.1	1000
43733	GSCBSP-8-66	PA66 UL94V2	Natural	12.7	1000
43734	GSCBSP-9-66	PA66 UL94V2	Natural	14.3	1000
43735	GSCBSP-10-66	PA66 UL94V2	Natural	15.9	1000
43736	GSCBSP-12-66	PA66 UL94V2	Natural	19.1	1000
43746	GSCBSP-2-66B	PA66 UL94V2	Black	3.2	1000
43747	GSCBSP-4-66B	PA66 UL94V2	Black	6.4	1000
43748	GSCBSP-5-66B	PA66 UL94V2	Black	7.9	1000
43749	GSCBSP-6-66B	PA66 UL94V2	Black	9.5	1000
43750	GSCBSP-7-66B	PA66 UL94V2	Black	11.1	1000
43751	GSCBSP-8-66B	PA66 UL94V2	Black	12.7	1000
43752	GSCBSP-9-66B	PA66 UL94V2	Black	14.3	1000
43753	GSCBSP-10-66B	PA66 UL94V2	Black	15.9	1000
43754	GSCBSP-12-66B	PA66 UL94V2	Black	19.1	1000
43737	GSCBSP-2-V0	PA66 UL94V0	Natural	3.2	1000
43738	GSCBSP-4-V0	PA66 UL94V0	Natural	6.4	1000
43739	GSCBSP-5-V0	PA66 UL94V0	Natural	7.9	1000
43740	GSCBSP-6-V0	PA66 UL94V0	Natural	9.5	1000
43741	GSCBSP-7-V0	PA66 UL94V0	Natural	11.1	1000
43742	GSCBSP-8-V0	PA66 UL94V0	Natural	12.7	1000
43743	GSCBSP-9-V0	PA66 UL94V0	Natural	14.3	1000
43744	GSCBSP-10-V0	PA66 UL94V0	Natural	15.9	1000
43745	GSCBSP-12-V0	PA66 UL94V0	Natural	19.1	1000
43755	GSCBSP-2-BV0	PA66 UL94V0	Black	3.2	1000
43756	GSCBSP-4-BV0	PA66 UL94V0	Black	6.4	1000
43757	GSCBSP-5-BV0	PA66 UL94V0	Black	7.9	1000
43758	GSCBSP-6-BV0	PA66 UL94V0	Black	9.5	1000
43759	GSCBSP-7-BV0	PA66 UL94V0	Black	11.1	1000
43760	GSCBSP-8-BV0	PA66 UL94V0	Black	12.7	1000
43761	GSCBSP-9-BV0	PA66 UL94V0	Black	14.3	1000
43762	GSCBSP-10-BV0	PA66 UL94V0	Black	15.9	1000
43763	GSCBSP-12-BV0	PA66 UL94V0	Black	19.1	1000

Material: PA66 UL94V2 (GMS-65); PA66 UL94V0 (GMS-49)



sales@sucatec.com

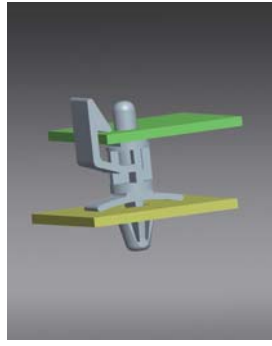


www.sucatec.com

SPECIAL SPACER

Edge Holding Support GEHCBS-6/-7/-9

A



GEHCBS-6/-7

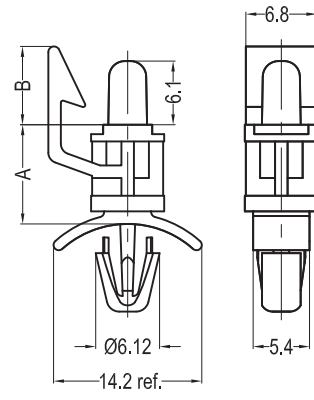


Fig.1

GEHCBS-9

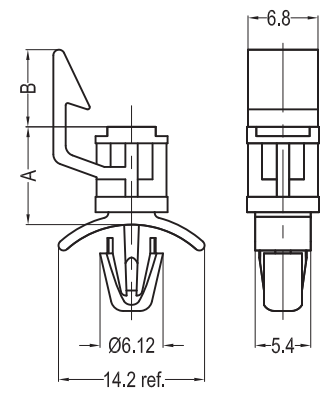


Fig.2

Top Hole: 4.0±0.08mm
Panel Thickness: 1.57mm
Bottom Hole: 4.75±0.08mm
Panel Thickness: 0.79-1.98mm

Bottom Hole: 4.75±0.08mm
Panel Thickness: 0.79-1.98mm

Sizes in mm

P/N.	Article No.	Cross-Ref.	Material	Color	A	B	FIG.	Packing Unit
43779	GEHCBS-6-5-66	EHCBS-6-5-01	PA66 UL94V2	Natural	7.9	6.1	1	1000
43787	GEHCBS-6-6-66	EHCBS-6-6-01	PA66 UL94V2	Natural	9.5	6.1	1	1000
43789	GEHCBS-6-8-66	EHCBS-6-8-01	PA66 UL94V2	Natural	12.7	6.1	1	1000
43791	GEHCBS-6-14-66	EHCBS-6-14-01	PA66 UL94V2	Natural	22.2	6.1	1	1000
43780	GEHCBS-6-5-V0	EHCBS-6-5-19	PA66 UL94V0	Natural	7.9	6.1	1	1000
43788	GEHCBS-6-6-V0	EHCBS-6-6-19	PA66 UL94V0	Natural	9.5	6.1	1	1000
43790	GEHCBS-6-8-V0	EHCBS-6-8-19	PA66 UL94V0	Natural	12.7	6.1	1	1000
43792	GEHCBS-6-14-V0	EHCBS-6-14-19	PA66 UL94V0	Natural	22.2	6.1	1	1000
43799	GEHCBS-7-5-66	EHCBS-7-5-01	PA66 UL94V2	Natural	7.9	7.5	1	1000
42053	GEHCBS-7-6-66	EHCBS-7-6-01	PA66 UL94V2	Natural	9.5	7.5	1	1000
43589	GEHCBS-7-8-66	EHCBS-7-8-01	PA66 UL94V2	Natural	12.7	7.5	1	1000
42357	GEHCBS-7-14-66	EHCBS-7-14-01	PA66 UL94V2	Natural	22.2	7.5	1	1000
43800	GEHCBS-7-5-V0	EHCBS-7-5-19	PA66 UL94V0	Natural	7.9	7.5	1	1000
42077	GEHCBS-7-6-V0	EHCBS-7-6-19	PA66 UL94V0	Natural	9.5	7.5	1	1000
43593	GEHCBS-7-8-V0	EHCBS-7-8-19	PA66 UL94V0	Natural	12.7	7.5	1	1000
42358	GEHCBS-7-14-V0	EHCBS-7-14-19	PA66 UL94V0	Natural	22.2	7.5	1	1000
43781	GEHCBS-9-5-66	EHCBS-9-5-01	PA66 UL94V2	Natural	7.9	7.5	2	1000
43793	GEHCBS-9-6-66	EHCBS-9-6-01	PA66 UL94V2	Natural	9.5	7.5	2	1000
43795	GEHCBS-9-8-66	EHCBS-9-8-01	PA66 UL94V2	Natural	12.7	7.5	2	1000
43797	GEHCBS-9-14-66	EHCBS-9-14-01	PA66 UL94V2	Natural	22.2	7.5	2	1000
43782	GEHCBS-9-5-V0	EHCBS-9-5-19	PA66 UL94V0	Natural	7.9	7.5	2	1000
43794	GEHCBS-9-6-V0	EHCBS-9-6-19	PA66 UL94V0	Natural	9.5	7.5	2	1000
43796	GEHCBS-9-8-V0	EHCBS-9-8-19	PA66 UL94V0	Natural	12.7	7.5	2	1000
43798	GEHCBS-9-14-V0	EHCBS-9-14-19	PA66 UL94V0	Natural	22.2	7.5	2	1000

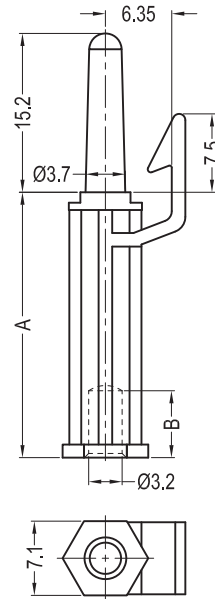
Material: PA66 UL94V2 (GMS-01); PA66 UL94V0 (GMS-02)



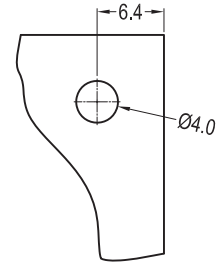
SPECIAL SPACER

Edge Holding Support GTEHCBS

GTEHCBS



Top Board Hole Location



Top Hole: 4.0±0.08mm
Panel Thickness: 1.57mm
Bottom Hole: For Metal #6 (Type B) Self-Tapping Screw

Sizes in mm

P/N.	Article No.	Cross-Ref.	Material	Color	A	B	Packing Unit
42073	GTEHCBS-4-01	TEHCBS-4-01	PA66 UL94V2	Natural	6.4	5.2	1000
42069	GTEHCBS-5-01	TEHCBS-5-01	PA66 UL94V2	Natural	7.9	5.2	1000
42070	GTEHCBS-6-01	TEHCBS-6-01	PA66 UL94V2	Natural	9.5	6.4	1000
42071	GTEHCBS-8-01	TEHCBS-8-01	PA66 UL94V2	Natural	12.7	6.4	1000
42072	GTEHCBS-10-01	TEHCBS-10-01	PA66 UL94V2	Natural	15.9	6.4	1000
42074	GTEHCBS-12-01	TEHCBS-12-01	PA66 UL94V2	Natural	19.1	6.4	1000
42075	GTEHCBS-14-01	TEHCBS-14-01	PA66 UL94V2	Natural	22.2	6.4	1000
42078	GTEHCBS-16-01	TEHCBS-16-01	PA66 UL94V2	Natural	25.4	6.4	1000

Material: PA66 UL94V2 (GMS-01)

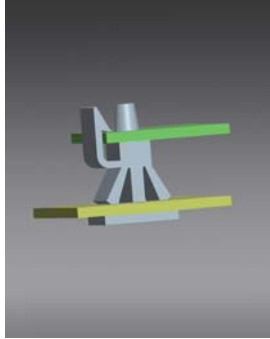
A



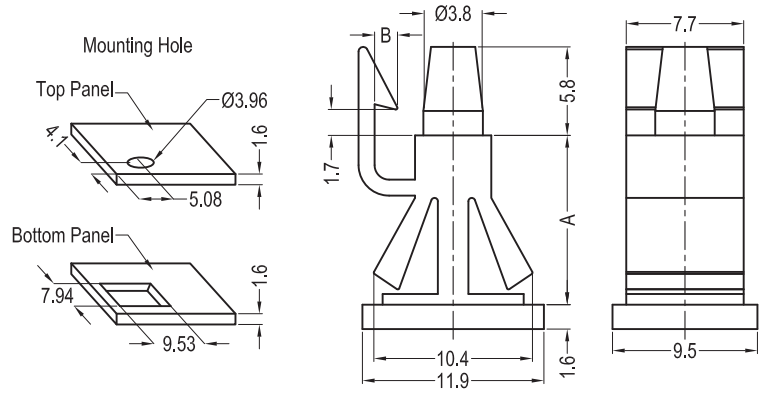
SPECIAL SPACER

Edge Holding Circuit Board Support, Removable GRLEHCBS

A



GRLEHCBS



Top Hole: 3.96±0.08mm
Panel Thickness: 1.6mm
Bottom Hole: □9.53×□7.94 ±0.08mm
Panel Thickness: 1.6mm

Sizes in mm

P/N.	Article No.	Cross-Ref.	Material	Color	A	B	Packing Unit
42362	GRLEHCBS-5-01B	RLEHCBS-5-01BK	PA66 UL94V2	Black	9.5	1.5	1000
42363	GRLEHCBS-6-01B	RLEHCBS-6-01BK	PA66 UL94V2	Black	11.1	1.5	1000
42364	GRLEHCBS-7-01B	RLEHCBS-7-01BK	PA66 UL94V2	Black	12.7	2.1	1000
42365	GRLEHCBS-8-01B	RLEHCBS-8-01BK	PA66 UL94V2	Black	14.3	2.1	1000
42643	GRLEHCBS-5-19B	RLEHCBS-5-19BK	PA66 UL94V0	Black	9.5	1.5	1000
42644	GRLEHCBS-6-19B	RLEHCBS-6-19BK	PA66 UL94V0	Black	11.1	1.5	1000
43462	GRLEHCBS-7-19B	RLEHCBS-7-19BK	PA66 UL94V0	Black	12.7	2.1	1000
43463	GRLEHCBS-8-19B	RLEHCBS-8-19BK	PA66 UL94V0	Black	14.3	2.1	1000

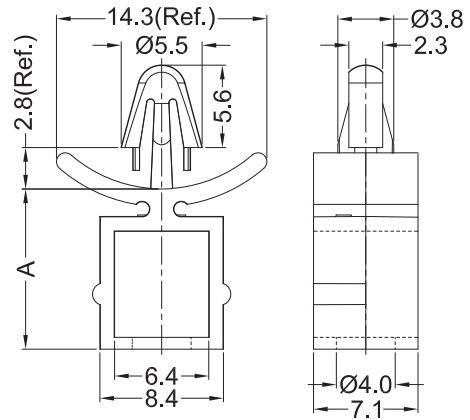
Material: PA66 UL94V2 (GMS-01); PA66 UL94V0 (GMS-02)

SPECIAL SPACER

Circuit Board Stacking Spacer GCBSS



GCBSS

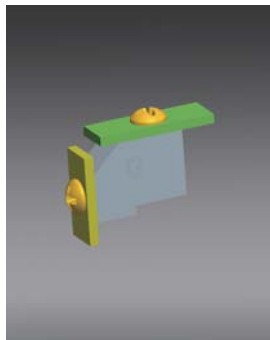


Sizes in mm

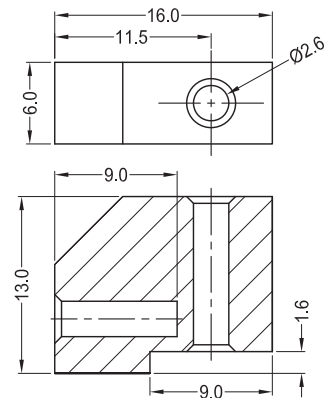
P/N.	Article No.	Cross-Ref.	Material	Color	A	Packing Unit
61045	GCBSS-8-01	CBSS-8-01	PA66 UL94V2	Natural	10.9	1000
61046	GCBSS-10-01	CBSS-10-01	PA66 UL94V2	Natural	14.0	1000
61047	GCBSS-12-01	CBSS-12-01	PA66 UL94V2	Natural	17.3	1000
61048	GCBSS-14-01	CBSS-14-01	PA66 UL94V2	Natural	20.3	1000
61049	GCBSS-8-19	CBSS-8-19	PA66 UL94V0	Natural	10.9	1000
61050	GCBSS-10-19	CBSS-10-19	PA66 UL94V0	Natural	14.0	1000
61051	GCBSS-12-19	CBSS-12-19	PA66 UL94V0	Natural	17.3	1000
61052	GCBSS-14-19	CBSS-14-19	PA66 UL94V0	Natural	20.3	1000

Material: PA66 UL94V2 (GMS-01); PA66 UL94V0 (GMS-02)

Mounting Block GPCB-MB



GPCB-MB



Mounting Hole: For Metal #4(M3) Self-Tapping Screw

Sizes in mm

P/N.	Article No.	Cross-Ref.	Material	Color	Packing Unit
61065	GPCB-MB-01	PCB-MB-01	PA66 UL94V2	Natural	1000
61395	GPCB-MB-19	PCB-MB-19	PA66 UL94V0	Natural	1000

Material: PA66 UL94V2 (GMS-01); PA66 UL94V0 (GMS-49)

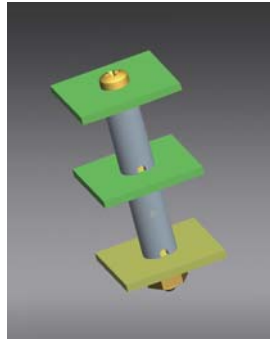


SPECIAL SPACER

Self-Retaining Spacer

GSSRS4/8

A



GSSRS4

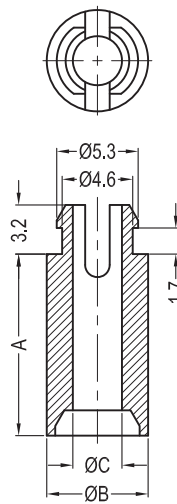


Fig.1

Hole: 4.75±0.08mm
Panel Thickness: 1.57mm

GSSRS8

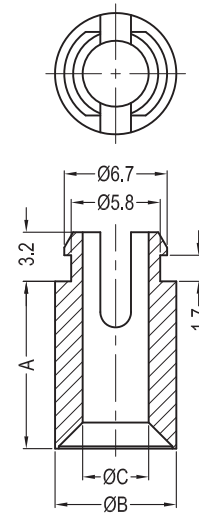


Fig.2

Hole: 5.94±0.08mm
Panel Thickness: 1.57mm

GSSRS8-2-3

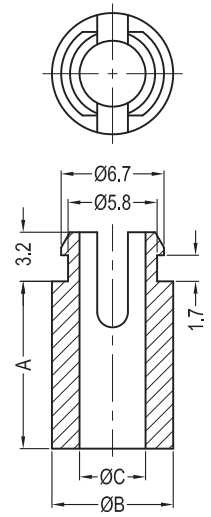


Fig.3

Hole: 5.94±0.08mm
Panel Thickness: 1.57mm

Sizes in mm

P/N.	Article No.	Cross-Ref.	Material	Color	A	B	C	Screw	FIG.	Packing Unit
42372	GSSRS4-2-01	SSRS4-2-01	PA66 UL94V2	Natural	3.2	6.6	3.2	#4/M3	1	1000
42373	GSSRS4-3-01	SSRS4-3-01	PA66 UL94V2	Natural	4.8	6.6	3.2	#4/M3	1	1000
42374	GSSRS4-4-01	SSRS4-4-01	PA66 UL94V2	Natural	6.4	6.6	3.2	#4/M3	1	1000
42375	GSSRS4-5-01	SSRS4-5-01	PA66 UL94V2	Natural	7.9	6.6	3.2	#4/M3	1	1000
42376	GSSRS4-6-01	SSRS4-6-01	PA66 UL94V2	Natural	9.5	6.6	3.2	#4/M3	1	1000
42377	GSSRS4-7-01	SSRS4-7-01	PA66 UL94V2	Natural	11.1	6.6	3.2	#4/M3	1	1000
42378	GSSRS4-8-01	SSRS4-8-01	PA66 UL94V2	Natural	12.7	6.6	3.2	#4/M3	1	1000
42379	GSSRS4-10-01	SSRS4-10-01	PA66 UL94V2	Natural	15.9	6.6	3.2	#4/M3	1	1000
42380	GSSRS4-12-01	SSRS4-12-01	PA66 UL94V2	Natural	19.1	6.6	3.2	#4/M3	1	1000
42381	GSSRS4-14-01	SSRS4-14-01	PA66 UL94V2	Natural	22.2	6.6	3.2	#4/M3	1	1000
42382	GSSRS4-16-01	SSRS4-16-01	PA66 UL94V2	Natural	25.4	6.6	3.2	#4/M3	1	1000
40025	GSSRS8-4-01	SSRS8-4-01	PA66 UL94V2	Natural	6.4	7.9	4.3	#8/M4	2	1000
40026	GSSRS8-5-01	SSRS8-5-01	PA66 UL94V2	Natural	7.9	7.9	4.3	#8/M4	2	1000
40027	GSSRS8-6-01	SSRS8-6-01	PA66 UL94V2	Natural	9.5	7.9	4.3	#8/M4	2	1000
40028	GSSRS8-7-01	SSRS8-7-01	PA66 UL94V2	Natural	11.1	7.9	4.3	#8/M4	2	1000
40029	GSSRS8-8-01	SSRS8-8-01	PA66 UL94V2	Natural	12.7	7.9	4.3	#8/M4	2	1000
40030	GSSRS8-10-01	SSRS8-10-01	PA66 UL94V2	Natural	15.9	7.9	4.3	#8/M4	2	1000
42116	GSSRS8-12-01	SSRS8-12-01	PA66 UL94V2	Natural	19.1	7.9	4.3	#8/M4	2	1000
42118	GSSRS8-14-01	SSRS8-14-01	PA66 UL94V2	Natural	22.2	7.9	4.3	#8/M4	2	1000
42119	GSSRS8-16-01	SSRS8-16-01	PA66 UL94V2	Natural	25.4	7.9	4.3	#8/M4	2	1000
43594	GSSRS8-2-3-01	-	PA66 UL94V2	Natural	4.8	7.9	4.3	#8/M4	3	1000
43587	GSSRS8-2-3-19	-	PA66 UL94V0	Natural	4.8	7.9	4.3	#8/M4	3	1000

Material: PA66 UL94V2 (GMS-01);PA66 UL94V0(GMS-02)

SPECIAL SPACER

Self-Retaining Spacer GSR4/6/8

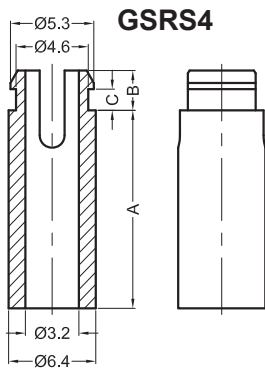


Fig.1

Hole: 4.7±0.08mm
Panel Thickness: 1.57mm

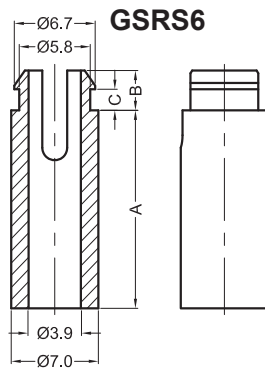


Fig.2

Hole: 5.9±0.08mm
Panel Thickness: 1.57mm

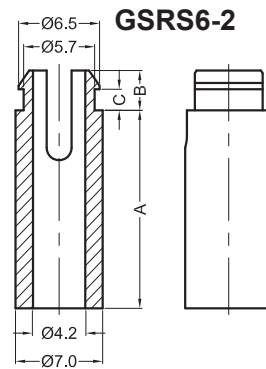


Fig.3

Hole: 5.9±0.08mm
Panel Thickness: 1.57mm

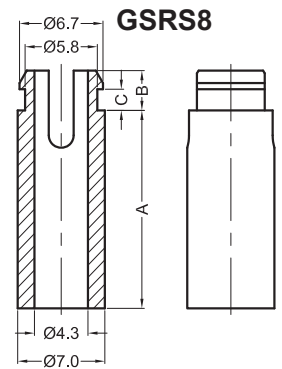


Fig.4

Hole: 5.9±0.08mm
Panel Thickness: 2.2mm

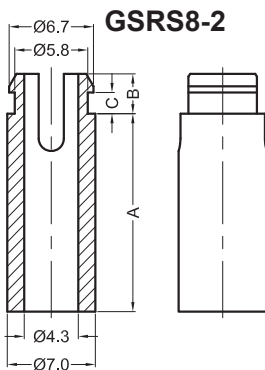
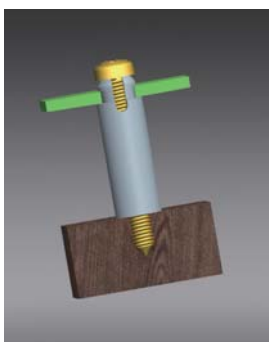


Fig.5

Hole: 5.9±0.08mm
Panel Thickness: 2.2mm



Sizes in mm

P/N.	Article No.	Cross-Ref.	Material	Color	A	B	C	Screw	FIG.	Packing Unit
41030	GSR4-2-66	SRS4-2-01	PA66 UL94V2	Natural	3.2	3.2	1.7	#4/M3	1	1000
41031	GSR4-3-66	SRS4-3-01	PA66 UL94V2	Natural	4.8	3.2	1.7	#4/M3	1	1000
41032	GSR4-4-66	SRS4-4-01	PA66 UL94V2	Natural	6.4	3.2	1.7	#4/M3	1	1000
41033	GSR4-5-66	SRS4-5-01	PA66 UL94V2	Natural	7.9	3.2	1.7	#4/M3	1	1000
41034	GSR4-6-66	SRS4-6-01	PA66 UL94V2	Natural	9.5	3.2	1.7	#4/M3	1	1000
41035	GSR4-7-66	SRS4-7-01	PA66 UL94V2	Natural	11.1	3.2	1.7	#4/M3	1	1000
41036	GSR4-8-66	SRS4-8-01	PA66 UL94V2	Natural	12.7	3.2	1.7	#4/M3	1	1000
41037	GSR4-10-66	SRS4-10-01	PA66 UL94V2	Natural	15.9	3.2	1.7	#4/M3	1	1000
41038	GSR4-12-66	SRS4-12-01	PA66 UL94V2	Natural	19.1	3.2	1.7	#4/M3	1	1000
41039	GSR4-14-66	SRS4-14-01	PA66 UL94V2	Natural	22.2	3.2	1.7	#4/M3	1	1000
41040	GSR4-16-66	SRS4-16-01	PA66 UL94V2	Natural	25.4	3.2	1.7	#4/M3	1	1000
41387	GSR4-2-46	-	PA46 UL94V2	Red	3.2	3.2	1.7	#4/M3	1	1000
41388	GSR4-3-46	-	PA46 UL94V2	Red	4.8	3.2	1.7	#4/M3	1	1000
41389	GSR4-4-46	-	PA46 UL94V2	Red	6.4	3.2	1.7	#4/M3	1	1000
41390	GSR4-5-46	-	PA46 UL94V2	Red	7.9	3.2	1.7	#4/M3	1	1000
41391	GSR4-6-46	-	PA46 UL94V2	Red	9.5	3.2	1.7	#4/M3	1	1000
41392	GSR4-7-46	-	PA46 UL94V2	Red	11.1	3.2	1.7	#4/M3	1	1000
41393	GSR4-8-46	-	PA46 UL94V2	Red	12.7	3.2	1.7	#4/M3	1	1000
41394	GSR4-10-46	-	PA46 UL94V2	Red	15.9	3.2	1.7	#4/M3	1	1000
41395	GSR4-12-46	-	PA46 UL94V2	Red	19.1	3.2	1.7	#4/M3	1	1000
41396	GSR4-14-46	-	PA46 UL94V2	Red	22.2	3.2	1.7	#4/M3	1	1000
41397	GSR4-16-46	-	PA46 UL94V2	Red	25.4	3.2	1.7	#4/M3	1	1000
41573	GSR4-2-V0	SRS4-2-19	PA66 UL94V0	Natural	3.2	3.2	1.7	#4/M3	1	1000
41574	GSR4-3-V0	SRS4-3-19	PA66 UL94V0	Natural	4.8	3.2	1.7	#4/M3	1	1000
41575	GSR4-4-V0	SRS4-4-19	PA66 UL94V0	Natural	6.4	3.2	1.7	#4/M3	1	1000
41576	GSR4-5-V0	SRS4-5-19	PA66 UL94V0	Natural	7.9	3.2	1.7	#4/M3	1	1000
41577	GSR4-6-V0	SRS4-6-19	PA66 UL94V0	Natural	9.5	3.2	1.7	#4/M3	1	1000
41578	GSR4-7-V0	SRS4-7-19	PA66 UL94V0	Natural	11.1	3.2	1.7	#4/M3	1	1000
41579	GSR4-8-V0	SRS4-8-19	PA66 UL94V0	Natural	12.7	3.2	1.7	#4/M3	1	1000

Material: PA66 UL94V2 (GMS-01); PA66 UL94V0 (GMS-02); PA46 UL94V2 (GMS-07)



sales@sucatec.com



www.sucatec.com

SPECIAL SPACER

Self-Retaining Spacer

GRS4/6/8

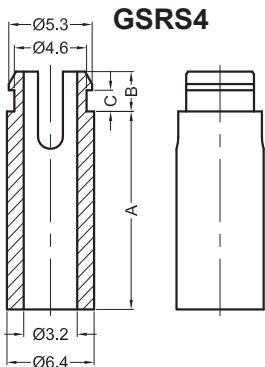


Fig.1

Hole: 4.7±0.08mm
Panel Thickness: 1.57mm

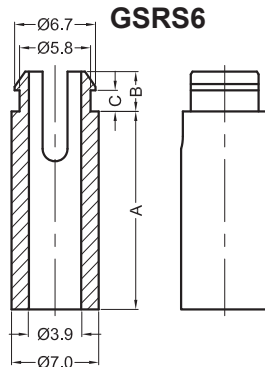


Fig.2

Hole: 5.9±0.08mm
Panel Thickness: 1.57mm

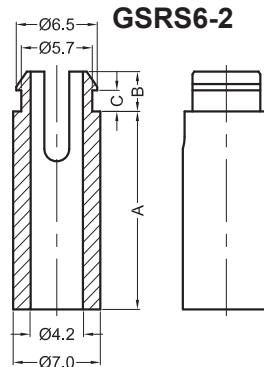


Fig.3

Hole: 5.9±0.08mm
Panel Thickness: 1.57mm

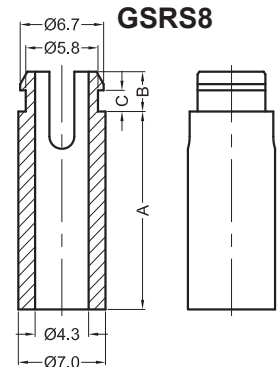


Fig.4

Hole: 5.9±0.08mm
Panel Thickness: 2.2mm

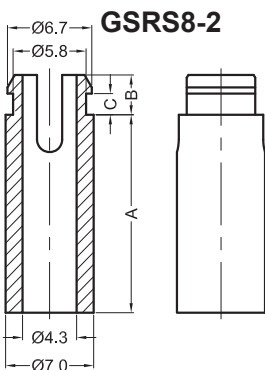


Fig.5

Hole: 5.9±0.08mm
Panel Thickness: 2.2mm



Sizes in mm

P/N.	Article No.	Cross-Ref.	Material	Color	A	B	C	Screw	FIG.	Packing Unit
41580	GRS4-10-V0	SRS4-10-19	PA66 UL94V0	Natural	15.9	3.2	1.7	#4/M3	1	1000
41581	GRS4-12-V0	SRS4-12-19	PA66 UL94V0	Natural	19.1	3.2	1.7	#4/M3	1	1000
41582	GRS4-14-V0	SRS4-14-19	PA66 UL94V0	Natural	22.2	3.2	1.7	#4/M3	1	1000
41583	GRS4-16-V0	SRS4-16-19	PA66 UL94V0	Natural	25.4	3.2	1.7	#4/M3	1	1000
40285	GRS6-4-66	SRS6-4-01	PA66 UL94V2	Natural	6.4	3.2	1.7	#6/M3.5	2	1000
40286	GRS6-5-66	SRS6-5-01	PA66 UL94V2	Natural	7.9	3.2	1.7	#6/M3.5	2	1000
40287	GRS6-6-66	SRS6-6-01	PA66 UL94V2	Natural	9.5	3.2	1.7	#6/M3.5	2	1000
40288	GRS6-7-66	SRS6-7-01	PA66 UL94V2	Natural	11.1	3.2	1.7	#6/M3.5	2	1000
40289	GRS6-8-66	SRS6-8-01	PA66 UL94V2	Natural	12.7	3.2	1.7	#6/M3.5	2	1000
40290	GRS6-10-66	SRS6-10-01	PA66 UL94V2	Natural	15.9	3.2	1.7	#6/M3.5	2	1000
40291	GRS6-12-66	SRS6-12-01	PA66 UL94V2	Natural	19.1	3.2	1.7	#6/M3.5	2	1000
40292	GRS6-14-66	SRS6-14-01	PA66 UL94V2	Natural	22.2	3.2	1.7	#6/M3.5	2	1000
40293	GRS6-16-66	SRS6-16-01	PA66 UL94V2	Natural	25.4	3.2	1.7	#6/M3.5	2	1000
41895	GRS6-4-V0	SRS6-4-19	PA66 UL94V0	Natural	6.4	3.2	1.7	#6/M3.5	2	1000
41896	GRS6-5-V0	SRS6-5-19	PA66 UL94V0	Natural	7.9	3.2	1.7	#6/M3.5	2	1000
41897	GRS6-6-V0	SRS6-6-19	PA66 UL94V0	Natural	9.5	3.2	1.7	#6/M3.5	2	1000
41898	GRS6-7-V0	SRS6-7-19	PA66 UL94V0	Natural	11.1	3.2	1.7	#6/M3.5	2	1000
41899	GRS6-8-V0	SRS6-8-19	PA66 UL94V0	Natural	12.7	3.2	1.7	#6/M3.5	2	1000
41900	GRS6-10-V0	SRS6-10-19	PA66 UL94V0	Natural	15.9	3.2	1.7	#6/M3.5	2	1000
41901	GRS6-12-V0	SRS6-12-19	PA66 UL94V0	Natural	19.1	3.2	1.7	#6/M3.5	2	1000
41902	GRS6-14-V0	SRS6-14-19	PA66 UL94V0	Natural	22.2	3.2	1.7	#6/M3.5	2	1000
41903	GRS6-16-V0	SRS6-16-19	PA66 UL94V0	Natural	25.4	3.2	1.7	#6/M3.5	2	1000
43474	GRS6-2-8-66	-	PA66 UL94V2	Natural	-	-	-	#6/M3.5	3	1000
43475	GRS6-2-8-V0	-	PA66 UL94V0	Natural	-	-	-	#6/M3.5	3	1000
40294	GRS8-4-66	SRS8-4-01	PA66 UL94V2	Natural	6.4	3.2	1.7	#8/M4	4	1000
40295	GRS8-5-66	SRS8-5-01	PA66 UL94V2	Natural	7.9	3.2	1.7	#8/M4	4	1000
40296	GRS8-6-66	SRS8-6-01	PA66 UL94V2	Natural	9.5	3.2	1.7	#8/M4	4	1000
40297	GRS8-7-66	SRS8-7-01	PA66 UL94V2	Natural	11.1	3.2	1.7	#8/M4	4	1000
40298	GRS8-8-66	SRS8-8-01	PA66 UL94V2	Natural	12.7	3.2	1.7	#8/M4	4	1000
40299	GRS8-10-66	SRS8-10-01	PA66 UL94V2	Natural	15.9	3.2	1.7	#8/M4	4	1000
40300	GRS8-12-66	SRS8-12-01	PA66 UL94V2	Natural	19.1	3.2	1.7	#8/M4	4	1000

Material: PA66 UL94V2 (GMS-01); PA66 UL94V0 (GMS-02); PA46 UL94V2 (GMS-07)

SPECIAL SPACER

Self-Retaining Spacer GSR4/6/8

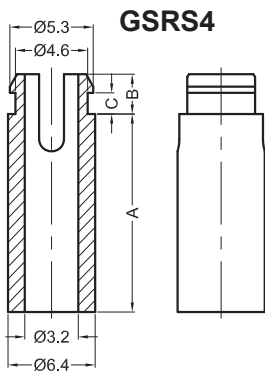


Fig.1

Hole: 4.7±0.08mm
Panel Thickness: 1.57mm

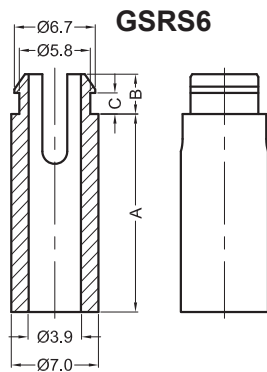


Fig.2

Hole: 5.9±0.08mm
Panel Thickness: 1.57mm

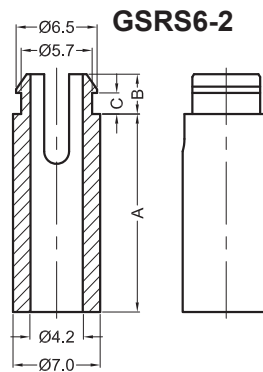


Fig.3

Hole: 5.9±0.08mm
Panel Thickness: 1.57mm

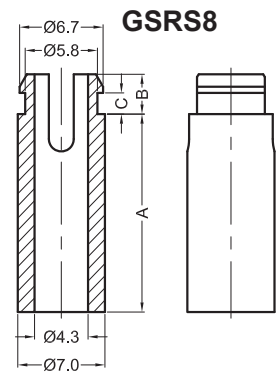


Fig.4

Hole: 5.9±0.08mm
Panel Thickness: 2.2mm

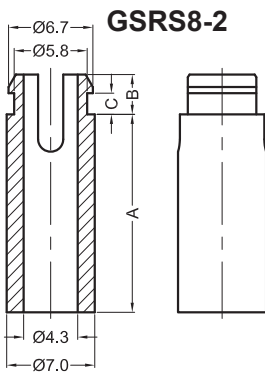
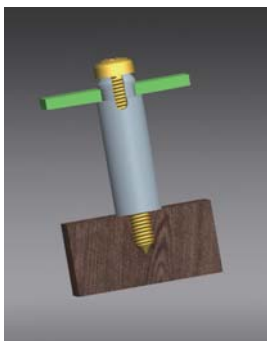


Fig.5

Hole: 5.9±0.08mm
Panel Thickness: 2.2mm



Sizes in mm

P/N.	Article No.	Cross-Ref.	Material	Color	A	B	C	Screw	FIG.	Packing Unit
40301	GSR8-14-66	SRS8-14-01	PA66 UL94V2	Natural	22.2	3.2	1.7	#8/M4	4	1000
40302	GSR8-16-66	SRS8-16-01	PA66 UL94V2	Natural	25.4	3.2	1.7	#8/M4	4	1000
41904	GSR8-4-V0	SRS8-4-19	PA66 UL94V0	Natural	6.4	3.2	1.7	#8/M4	4	1000
41905	GSR8-5-V0	SRS8-5-19	PA66 UL94V0	Natural	7.9	3.2	1.7	#8/M4	4	1000
41906	GSR8-6-V0	SRS8-6-19	PA66 UL94V0	Natural	9.5	3.2	1.7	#8/M4	4	1000
41907	GSR8-7-V0	SRS8-7-19	PA66 UL94V0	Natural	11.1	3.2	1.7	#8/M4	4	1000
41908	GSR8-8-V0	SRS8-8-19	PA66 UL94V0	Natural	12.7	3.2	1.7	#8/M4	4	1000
41909	GSR8-10-V0	SRS8-10-19	PA66 UL94V0	Natural	15.9	3.2	1.7	#8/M4	4	1000
41910	GSR8-12-V0	SRS8-12-19	PA66 UL94V0	Natural	19.1	3.2	1.7	#8/M4	4	1000
41911	GSR8-14-V0	SRS8-14-19	PA66 UL94V0	Natural	22.2	3.2	1.7	#8/M4	4	1000
41912	GSR8-16-V0	SRS8-16-19	PA66 UL94V0	Natural	25.4	3.2	1.7	#8/M4	4	1000
42645	GSR8-2-4-66	SRS8-2-4-01	PA66 UL94V2	Natural	6.4	3.85	2.3	#8/M4	5	1000
42647	GSR8-2-5-66	SRS8-2-5-01	PA66 UL94V2	Natural	7.9	3.85	2.3	#8/M4	5	1000
42619	GSR8-2-6-66	SRS8-2-6-01	PA66 UL94V2	Natural	9.5	3.85	2.3	#8/M4	5	1000
42649	GSR8-2-7-66	SRS8-2-7-01	PA66 UL94V2	Natural	11.1	3.85	2.3	#8/M4	5	1000
42651	GSR8-2-8-66	SRS8-2-8-01	PA66 UL94V2	Natural	12.7	3.85	2.3	#8/M4	5	1000
42653	GSR8-2-10-66	SRS8-2-10-01	PA66 UL94V2	Natural	15.9	3.85	2.3	#8/M4	5	1000
42655	GSR8-2-12-66	SRS8-2-12-01	PA66 UL94V2	Natural	19.1	3.85	2.3	#8/M4	5	1000
42657	GSR8-2-14-66	SRS8-2-14-01	PA66 UL94V2	Natural	22.2	3.85	2.3	#8/M4	5	1000
42659	GSR8-2-16-66	SRS8-2-16-01	PA66 UL94V2	Natural	25.4	3.85	2.3	#8/M4	5	1000
42646	GSR8-2-4-V0	SRS8-2-4-19	PA66 UL94V0	Natural	6.4	3.85	2.3	#8/M4	5	1000
42648	GSR8-2-5-V0	SRS8-2-5-19	PA66 UL94V0	Natural	7.9	3.85	2.3	#8/M4	5	1000
42618	GSR8-2-6-V0	SRS8-2-6-19	PA66 UL94V0	Natural	9.5	3.85	2.3	#8/M4	5	1000
42650	GSR8-2-7-V0	SRS8-2-7-19	PA66 UL94V0	Natural	11.1	3.85	2.3	#8/M4	5	1000
42652	GSR8-2-8-V0	SRS8-2-8-19	PA66 UL94V0	Natural	12.7	3.85	2.3	#8/M4	5	1000
42654	GSR8-2-10-V0	SRS8-2-10-19	PA66 UL94V0	Natural	15.9	3.85	2.3	#8/M4	5	1000
42656	GSR8-2-12-V0	SRS8-2-12-19	PA66 UL94V0	Natural	19.1	3.85	2.3	#8/M4	5	1000
42658	GSR8-2-14-V0	SRS8-2-14-19	PA66 UL94V0	Natural	22.2	3.85	2.3	#8/M4	5	1000
42660	GSR8-2-16-V0	SRS8-2-16-19	PA66 UL94V0	Natural	25.4	3.85	2.3	#8/M4	5	1000

Material: PA66 UL94V2 (GMS-01); PA66 UL94V0 (GMS-02); PA46 UL94V2 (GMS-07)



sales@sucatec.com



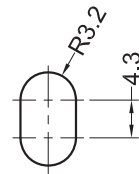
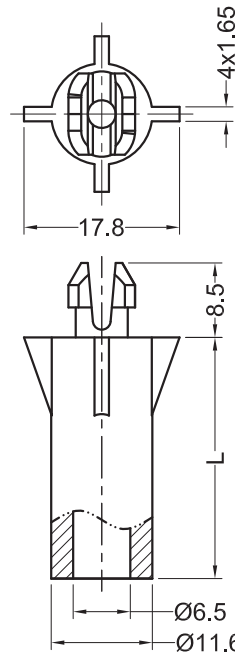
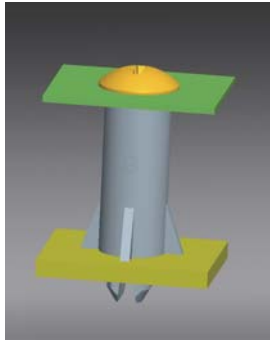
www.sucatec.com

SPECIAL SPACER

Self-Retaining Spacer GSSRS12

GSSRS12

A



PANEL FEATURE CUTOUT
Panel Thickness: 2.2-2.7mm

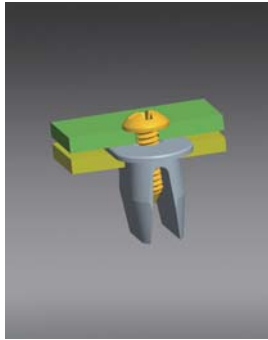
Sizes in mm

P/N.	Article No.	Material	Color	L	Packing Unit
43504	GSSRS12-28	PA66 UL94V2	Natural	27.6	500
43503	GSSRS12-50	PA66 UL94V2	Natural	49.8	500

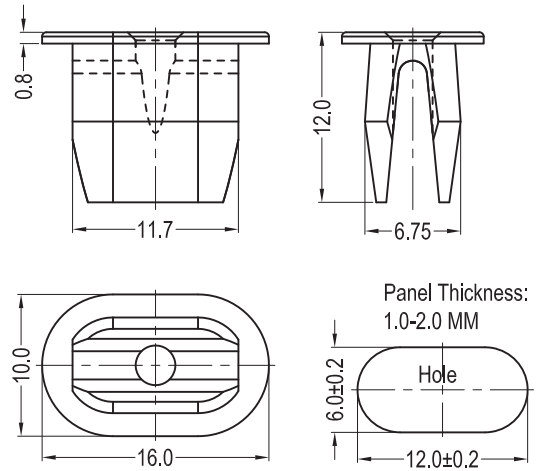
Material: PA66 UL94V2 (GMS-01)

SPECIAL SPACER

Screw Grommet GL0543000AA01



GL0543000AA01

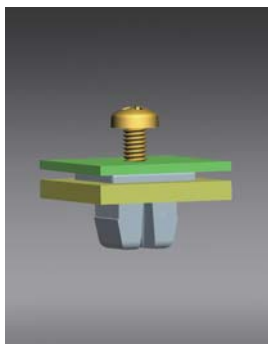


Sizes in mm

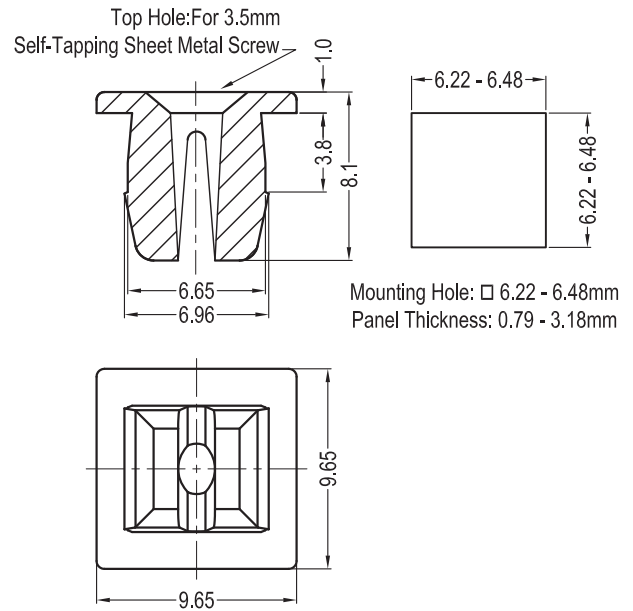
P/N.	Article No.	Material	Color	Packing Unit
10051	GL0543000AA01	PA66 UL94V2	Natural	1000

Material: PA66 UL94V2 (GMS-01)

Screw Grommet GSRSG6



GSRSG6



Sizes in mm

P/N.	Article No.	Cross-Ref.	Material	Color	Packing Unit
60422	GSRSG6-04-01	SRSG6-04-01	PA66 UL94V2	Natural	1000
60744	GSRSG6-04-19	SRSG6-04-19	PA66 UL94V0	Natural	1000

Material: PA66 UL94V2 (GMS-01); PA66 UL94V0 (GMS-02)



sales@sucatec.com

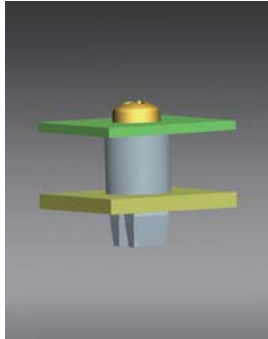


www.sucatec.com

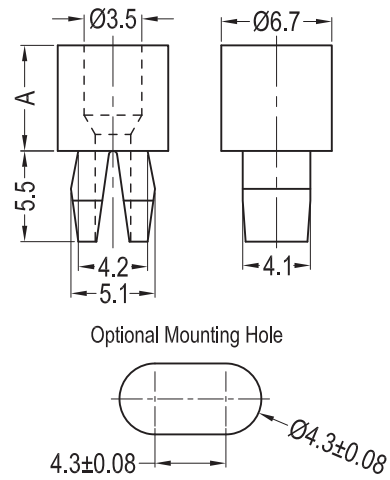
SPECIAL SPACER

Screw Grommet GMSNE

A



GMSNE



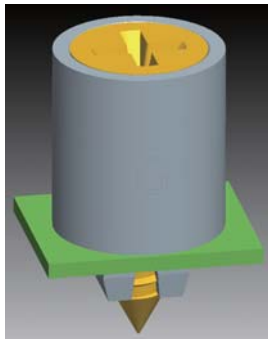
Top Hole: For a Metal #4(2.9) Self-Tapping Screw
Bottom Hole: 4.3±0.08mm Square Hole
 See also Optional Mounting Hole
Panel Thickness: 1.6mm

Sizes in mm

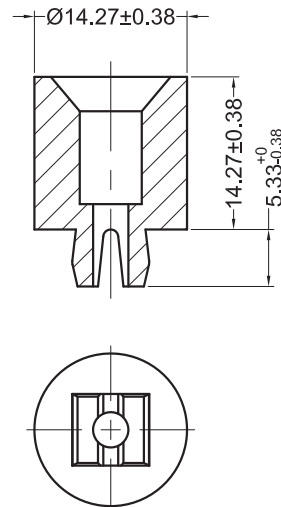
P/N.	Article No.	Cross-Ref.	Material	Color	A	Packing Unit
42257	GMSNE-3-01	MSNE-3-01	PA66 UL94V2	Natural	4.8	1000
42258	GMSNE-4-01	MSNE-4-01	PA66 UL94V2	Natural	6.35	1000
42244	GMSNE-3-19	MSNE-3-19	PA66 UL94V0	Natural	4.8	1000
42245	GMSNE-4-19	MSNE-4-19	PA66 UL94V0	Natural	6.35	1000

Material: PA66 UL94V2 (GMS-01); PA66 UL94V0 (GMS-02)

Screw Grommet GMSNE1



GMSNE1



Top Hole: For a Metal #8, #10 Self-Tapping Screw
Bottom Hole: 6.78-6.91mm Square Hole
Panel Thickness: 0.79-2.77mm

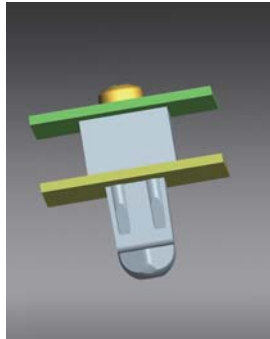
Sizes in mm

P/N.	Article No.	Material	Color	Packing Unit
43776	GMSNE1-021-66BUV	PA66 UL94V2	Black	1000

Material: PA66 UL94V2 (GMS-01)

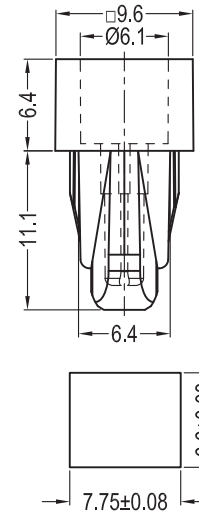
SPECIAL SPACER

Screw Grommet GEG



GEG

Top Hole: For #8(4.2) or #10(4.8)
Self-Tapping Metal Screw



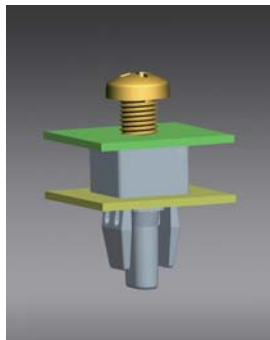
Mounting Hole
Panel Thickness: 0.51-1.93mm.

Sizes in mm

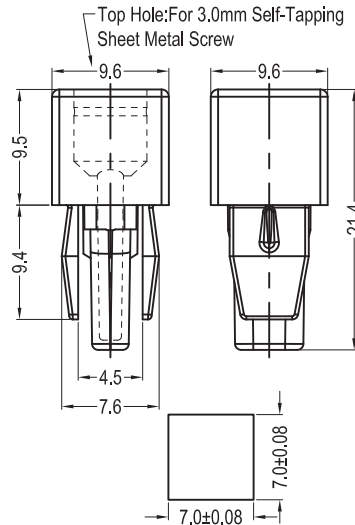
P/N.	Article No.	Cross-Ref.	Material	Color	Packing Unit
42259	GEG-4-66	EG-4-01	PA66 UL94V2	Natural	1000
42246	GEG-4-V0	EG-4-19	PA66 UL94V0	Natural	1000

Material: PA66 UL94V2 (GMS-01); PA66 UL94V0 (GMS-02)

Screw Grommet GUS08/GSG8

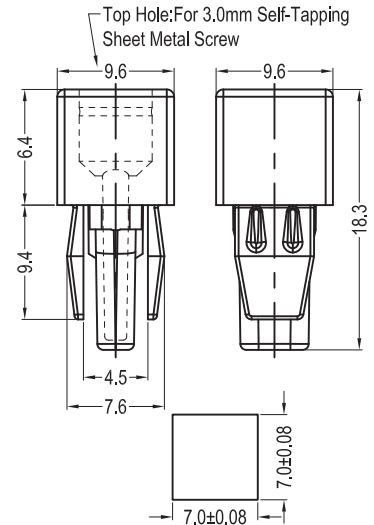


GUS08



Mounting Hole
Panel Thickness: 0.51-3.56mm

GSG8



Mounting Hole
Panel Thickness: 0.51-3.56mm

Fig.1

Fig.2

Sizes in mm

P/N.	Article No.	Material	Color	FIG.	Packing Unit
60064	GUS08-0765	PA66 UL94V2	Natural	1	1000
60149	GSG8-250-81	PA66 UL94V2	Natural	2	1000

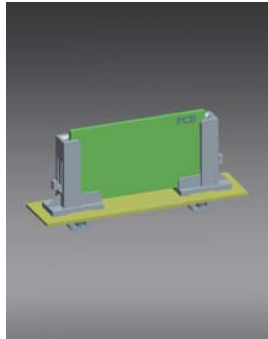
Material: PA66 UL94V2 (GMS-01)



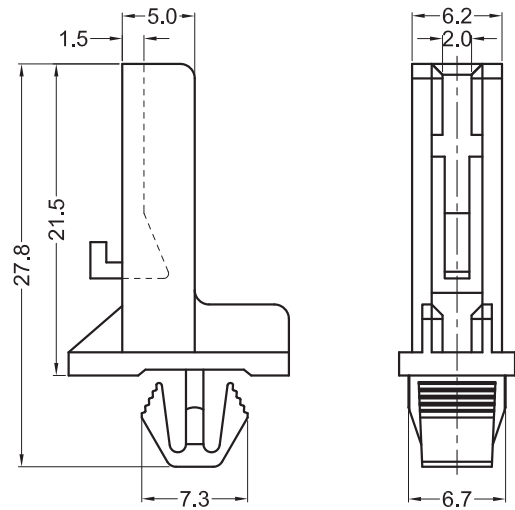
SPECIAL SPACER

Vertical and Snap-In Card Guide GCGH-1

A



GCGH-1



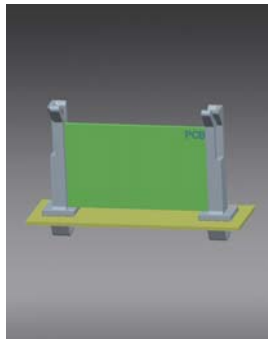
Hole: □ 7.1-5.5*6.3mm(±0.08)
 Panel Thickness: 1.0-2.2mm
 Accepts PCB Thickness: 1.6-2.0mm

Sizes in mm

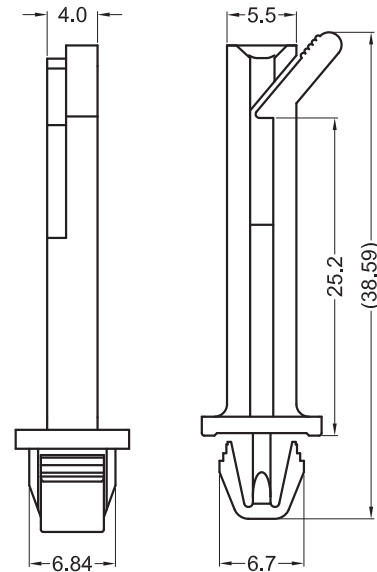
P/N.	Article No.	Material	Color	Packing Unit
60339	GCGH-1	PA66 UL94V2	Natural	1000

Material: PA66 UL94V2 (GMS-01)

Vertical and Snap-In Card Guide GVMCGLE



GVMCGLE



Hole: □ 7.1-5.5*5.5mm(±0.08)
 Panel Thickness: 1.2-1.8mm
 Accepts PCB Thickness: 1.6mm

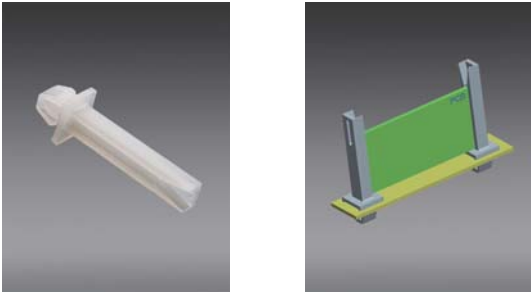
Sizes in mm

P/N.	Article No.	Cross-Ref.	Material	Color	Packing Unit
60659	GVMCGLE-31M-01	VMCGLE-31M-01	PA66 UL94V2	Natural	1000
60619	GVMCGLE-31M-19	VMCGLE-31M-19	PA66 UL94V0	Natural	1000

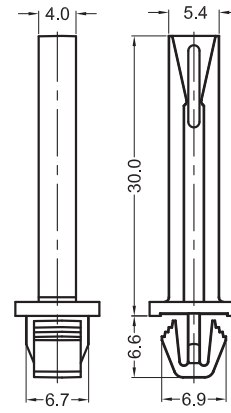
Material: PA66 UL94V2 (GMS-01); PA66 UL94V0 (GMS-02)

SPECIAL SPACER

Vertical and Snap-In Card Guide GVMCGE



GVMCGE



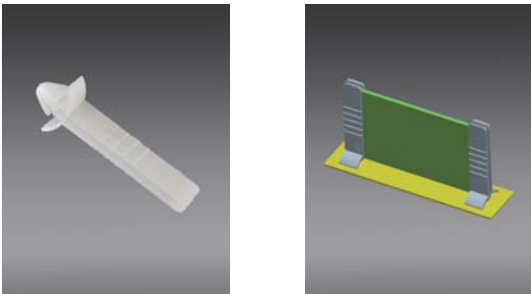
Hole: \square 7.1-5.5*5.5mm(± 0.08)
 Panel Thickness: 1.2-1.8mm
 Accepts PCB Thickness: 1.6mm

Sizes in mm

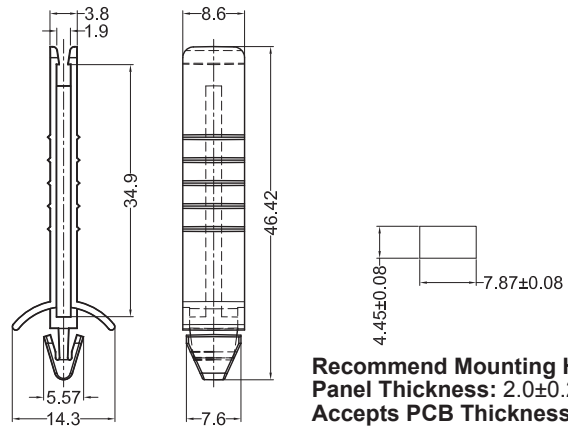
P/N.	Article No.	Cross-Ref.	Material	Color	Packing Unit
60372	GVMCGE-30M-01	VMCGE-30M-01	PA66 UL94V2	Natural	1000
61044	GVMCGE-30M-19	VMCGE-30M-19	PA66 UL94V0	Natural	1000

Material: PA66 UL94V2 (GMS-01); PA66 UL94V0 (GMS-02)

Vertical and Snap-In Card Guide GLCBG



GLCBG



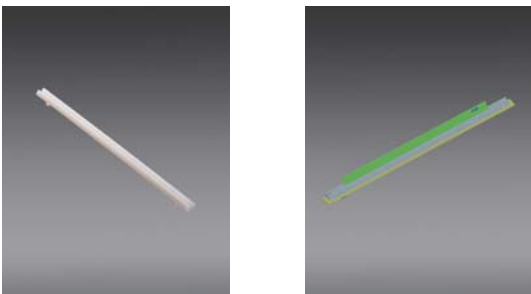
Recommend Mounting Hole
 Panel Thickness: 2.0 \pm 0.2mm
 Accepts PCB Thickness: 1.6mm

Sizes in mm

P/N.	Article No.	Material	Color	Packing Unit
43700	GLCBG-1.5A-01	PA66 UL94V2	Natural	1000

Material: PA66 UL94V2 (GMS-65)

Horizontal Card Guide GCG



GCG



Assemble Hole Plate Thickness: 1.2-1.9mm
 Accepts PCB Thickness: 1.6mm

Sizes in mm

P/N.	Article No.	Material	Color	Packing Unit
60173	GCG-001	PA66 UL94V2	Natural	250

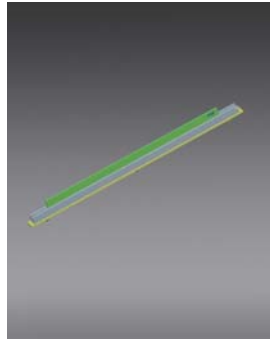
Material: PA66 UL94V2 (GMS-01)



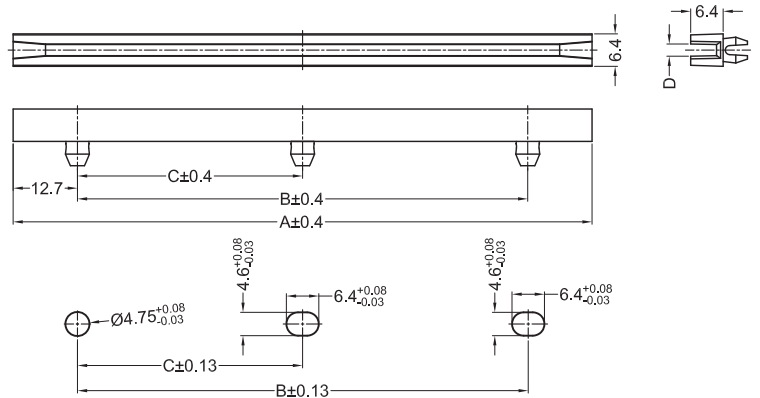
SPECIAL SPACER

Horizontal Card Guide GRDC

A



GRDC



Mounts Into Panel Thickness: 1.2-2.3mm
Accepts Panel thickness: See Table

Sizes in mm

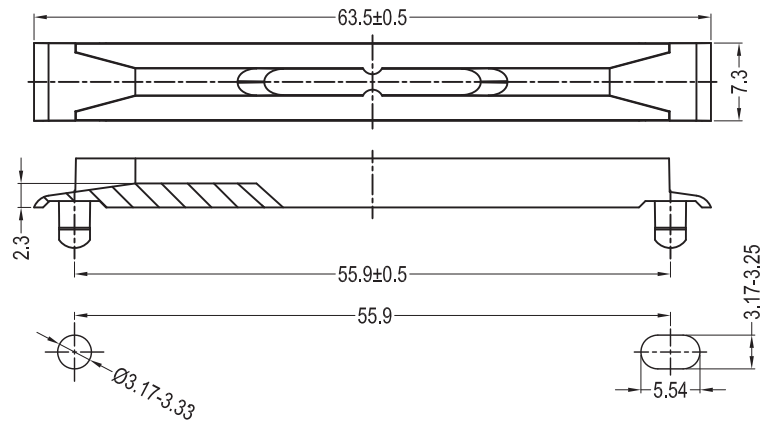
P/N.	Article No.	Cross-Ref.	Material	Color	A	B	C	D	PCB Thickness	Packing Unit
60696	GRDC-250	RDC-250	PA66 UL94V0	Black	63.5	38.1	-	2.0	1.6	500
60697	GRDC-450	RDC-450	PA66 UL94V0	Black	114.3	88.9	-	2.0	1.6	500
60679	GRDC-600	RDC-600	PA66 UL94V0	Black	152.4	127.0	-	2.0	1.6	200
60698	GRDC-800	RDC-800	PA66 UL94V0	Black	203.2	177.8	88.9	2.0	1.6	200
60723	GRDC-450-102	RDC-450-102	PA66 UL94V0	Black	114.3	88.9	-	2.6	2.4	500

Material: PA66 UL94V0 (GMS-02)

Horizontal Card Guide GTCG1



GTCG1



Mounts Into Panel Thickness: 1.6mm
Accepts Panel Thickness: 1.6mm

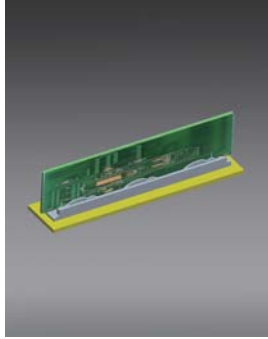
Sizes in mm

P/N.	Article No.	Cross-Ref.	Material	Color	Packing Unit
60979	GTCG1-2.500-23	TCG1-2.500-23	PC UL94V0	Black	500

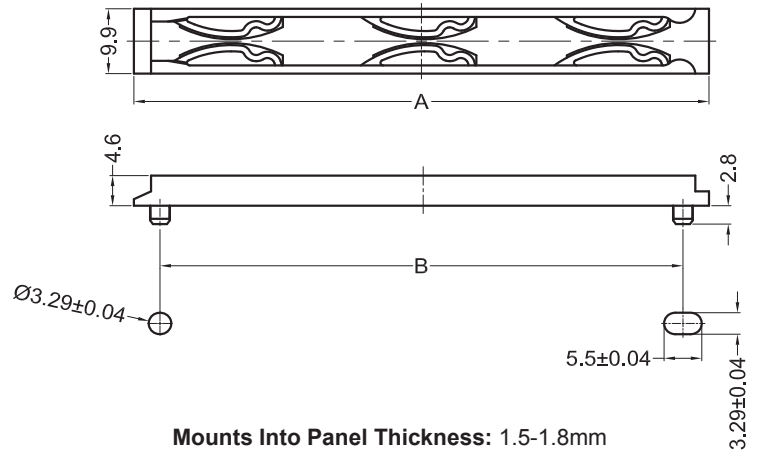
Material: PC UL94V0 (GMS-18)

SPECIAL SPACER

Horizontal Card Guide GTRCG



GTRCG



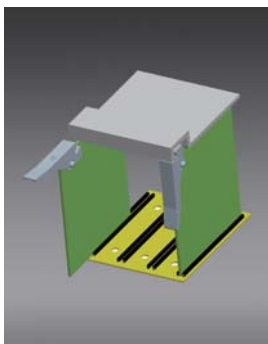
Mounts Into Panel Thickness: 1.5-1.8mm
Accepts Panel Thickness: 1.3-2.2mm

Sizes in mm

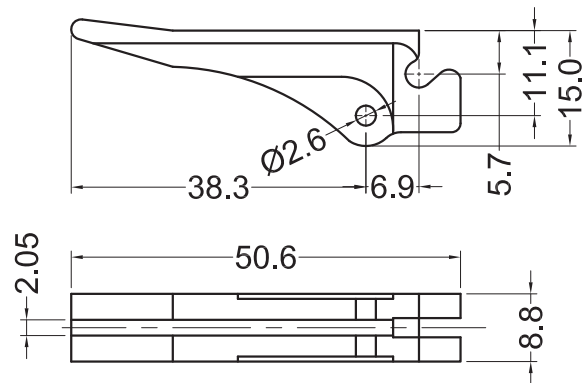
P/N.	Article No.	Cross-Ref.	Material	Color	A	B	Packing Unit
61315	GTRCG-2.500	TRCG-2.500	PC UL94V0	Black	63.5	55.9	500
60925	GTRCG-3.300	TRCG-3.300	PC UL94V0	Black	83.8	76.2	500

Material: PC UL94V0 (GMS-18)

Circuit Board Insertor, Extractor GFFCBE62



GFFCBE62



Sizes in mm

P/N.	Article No.	Material	Color	Packing Unit
61278	GFFCBE62	PA66 UL94V2	Natural	1000



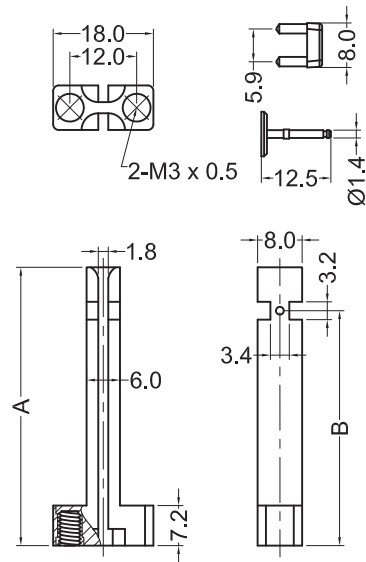
SPECIAL SPACER

Vertical Mount Card Guide GSV

A



GSV

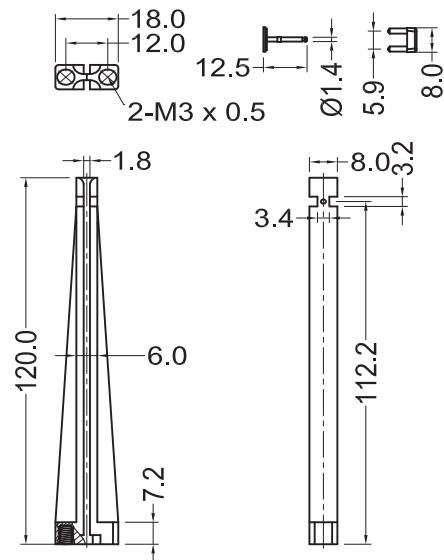


Sizes in mm

P/N.	Article No.	Body & Locking Button Material	Insert & Pin Material	Body Color	Locking Button Color	A	B	Packing Unit
61272	GSV050MBM	PA6+GF UL94HB	Brass Nickel Plated	Blue	Red	50.0	42.2	100
61273	GSV050MBM	PA6+GF UL94HB	Brass Nickel Plated	Blue	Red	65.0	57.2	100
61274	GSV050MBM	PA6+GF UL94HB	Brass Nickel Plated	Blue	Red	90.0	82.2	100
61275	GSV050MBM	PA6+GF UL94HB	Brass Nickel Plated	Blue	Red	120.0	112.2	100

Vertical Mount Card Guide GSVA120MBM

GSVA120MBM



Sizes in mm

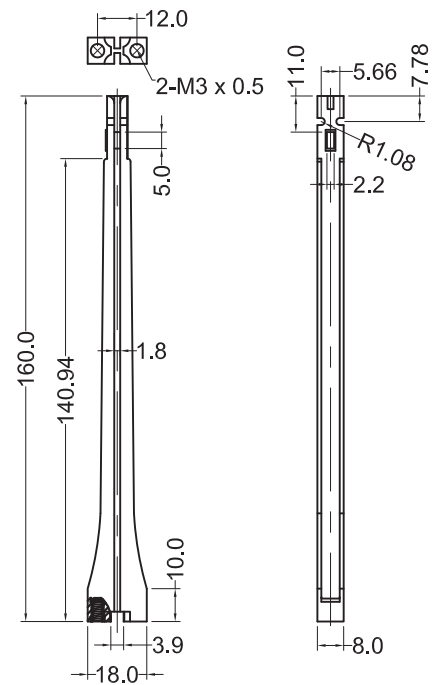
P/N.	Article No.	Body & Locking Button Material	Insert & Pin Material	Body Color	Locking Button Color	Packing Unit
61276	GSVA120MBM	PA6+GF UL94HB	Brass Nickel Plated	Blue	Red	100

SPECIAL SPACER

Vertical Mount Card Guide GSVA160BW



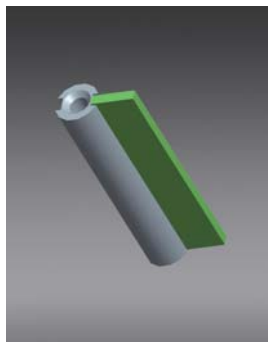
GSVA160BW



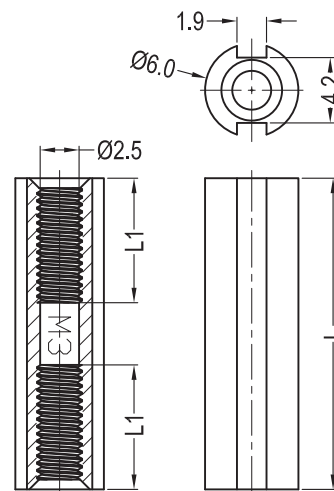
Sizes in mm

P/N.	Article No.	Body & Locking Button Material	Insert & Pin Material	Body Color	Locking Button Color	Packing Unit
61277	GSVA160BW	PA6+GF UL94HB	Brass Nickel Plated	Blue	White	100

Round Spacer Card Guide GPX



GPX



Sizes in mm

P/N.	Article No.	Material	Color	L	L1	Packing Unit
40964	GPX-30	POM UL94HB	Natural	30.0	8.0	1000
41421	GPX-40	POM UL94HB	Natural	40.0	8.0	1000
40965	GPX-50	POM UL94HB	Natural	50.0	8.0	1000

Material: POM UL94HB (GMS-16)



sales@sucatec.com



www.sucatec.com

A

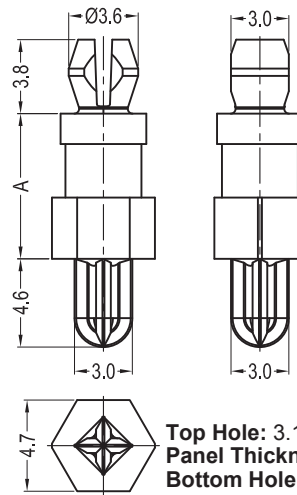
SPECIAL SPACER

Mini Self-Threading Circuit Board Support GMSPMST

A



GMSPMST



Top Hole: 3.18±0.05mm
 Panel Thickness: 1.57mm
 Bottom Hole: Self-Thread a #4 or
 M3 Threaded Hole or Nut
 Panel Thickness: 1.6mm

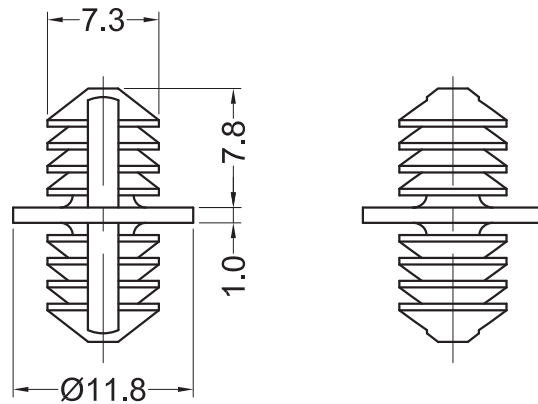
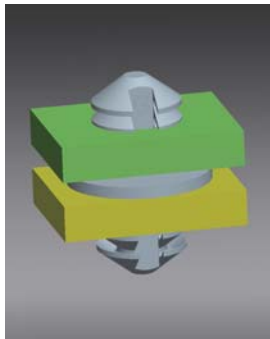
Sizes in mm

P/N.	Article No.	Cross-Ref.	Material	Color	A	Packing Unit
42295	GMSPMST-2-01	MSPMST-2-01	PA66 UL94V2	Natural	3.2	1000
42296	GMSPMST-3-01	MSPMST-3-01	PA66 UL94V2	Natural	4.8	1000
42297	GMSPMST-4-01	MSPMST-4-01	PA66 UL94V2	Natural	6.4	1000
42298	GMSPMST-5-01	MSPMST-5-01	PA66 UL94V2	Natural	7.9	1000
42299	GMSPMST-6-01	MSPMST-6-01	PA66 UL94V2	Natural	9.5	1000
42300	GMSPMST-7-01	MSPMST-7-01	PA66 UL94V2	Natural	11.1	1000
42301	GMSPMST-8-01	MSPMST-8-01	PA66 UL94V2	Natural	12.7	1000
42302	GMSPMST-9-01	MSPMST-9-01	PA66 UL94V2	Natural	14.3	1000
42303	GMSPMST-10-01	MSPMST-10-01	PA66 UL94V2	Natural	15.9	1000

Material: PA66 UL94V2 (GMS-01)

Barbed Push Fastener GBHDF-2

GBHDF-2



Sizes in mm

P/N.	Article No.	Material	Color	Hole	Panel Thickness	Packing Unit
10109	GBHDF-2-16.5-66B-AU	PA66 UL94HB	Black	6.0±0.08	0.8-3.6	1000

Material: PA66 UL94HB (GMS-34)

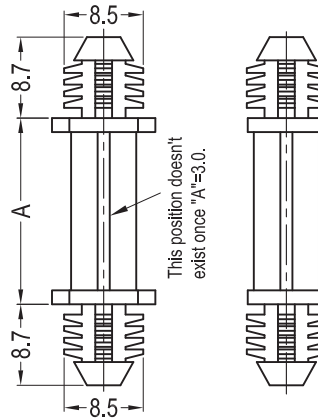
SPECIAL SPACER

Blind Hole Circuit Board Support GBHDF



Sizes in mm

GBHDF

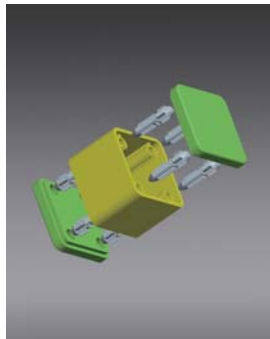


Top/Bottom Hole: 7.92±0.08mm
Panel Thickness: 6.35mm Min.

P/N.	Article No.	Cross-Ref.	Material	Color	A	Packing Unit
42474	GBHDF-3M-66	BHDF-3M-01	PA66 UL94V2	Natural	3.0	1000
42475	GBHDF-4M-66	BHDF-4M-01	PA66 UL94V2	Natural	4.0	1000
42476	GBHDF-6M-66	BHDF-6M-01	PA66 UL94V2	Natural	6.0	1000
42477	GBHDF-8M-66	BHDF-8M-01	PA66 UL94V2	Natural	8.0	1000
42478	GBHDF-10M-66	BHDF-10M-01	PA66 UL94V2	Natural	10.0	1000
42479	GBHDF-12M-66	BHDF-12M-01	PA66 UL94V2	Natural	12.0	1000
42480	GBHDF-14M-66	BHDF-14M-01	PA66 UL94V2	Natural	14.0	1000
42481	GBHDF-16M-66	BHDF-16M-01	PA66 UL94V2	Natural	16.0	1000
42482	GBHDF-18M-66	BHDF-18M-01	PA66 UL94V2	Natural	18.0	1000
42483	GBHDF-20M-66	BHDF-20M-01	PA66 UL94V2	Natural	20.0	1000
42484	GBHDF-3M-V0	BHDF-3M-19	PA66 UL94V0	Natural	3.0	1000
42485	GBHDF-4M-V0	BHDF-4M-19	PA66 UL94V0	Natural	4.0	1000
42486	GBHDF-6M-V0	BHDF-6M-19	PA66 UL94V0	Natural	6.0	1000
42487	GBHDF-8M-V0	BHDF-8M-19	PA66 UL94V0	Natural	8.0	1000
42488	GBHDF-10M-V0	BHDF-10M-19	PA66 UL94V0	Natural	10.0	1000
42489	GBHDF-12M-V0	BHDF-12M-19	PA66 UL94V0	Natural	12.0	1000
42490	GBHDF-14M-V0	BHDF-14M-19	PA66 UL94V0	Natural	14.0	1000
42491	GBHDF-16M-V0	BHDF-16M-19	PA66 UL94V0	Natural	16.0	1000
42492	GBHDF-18M-V0	BHDF-18M-19	PA66 UL94V0	Natural	18.0	1000
42493	GBHDF-20M-V0	BHDF-20M-19	PA66 UL94V0	Natural	20.0	1000

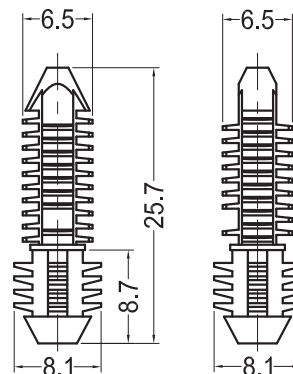
Material: PA66 UL94V2 (GMS-01); PA66 UL94V0 (GMS-02)

Fir Tree Mount GBHDF-1



Sizes in mm

GBHDF-1



Top Hole: 6.0±0.08mm
Panel Thickness: 16.0mm Max.
Bottom Hole: 7.5±0.08mm
Panel Thickness: 6.4mm Max.

P/N.	Article No.	Material	Color	Packing Unit
43680	GBHDF-1-26M-66B	PA66 UL94V2	Black	1000

Material: PA66 UL94V2 (GMS-09)



SPECIAL SPACER

Locking Bushing Spacer GTB/GTA

A

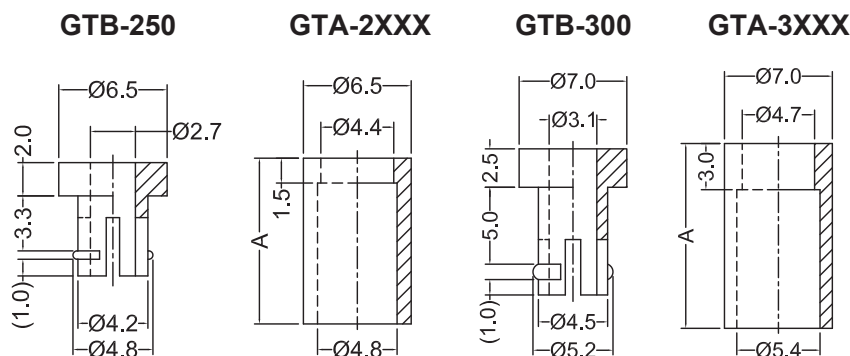


Fig.1

Fig.2

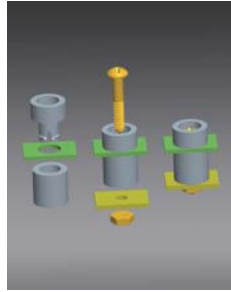
Sizes in mm

P/N.	Article No.	Material	Color	A	Hole	Panel Thickness	Screw Fit	FIG.	Packing Unit
43541	GTB-250B	PC UL94V0	Black	-	4.8±0.08	1.0-1.8	M2.5	1	200
43537	GTA-205B	PC UL94V0	Black	5.7	4.8±0.08	1.0-1.8	M2.5	1	200
43538	GTA-207B	PC UL94V0	Black	7.5	4.8±0.08	1.0-1.8	M2.5	1	200
43539	GTA-210B	PC UL94V0	Black	10.0	4.8±0.08	1.0-1.8	M2.5	1	200
43540	GTA-214B	PC UL94V0	Black	14.0	4.8±0.08	1.0-1.8	M2.5	1	200
43557	GTB-300	ABS UL94HB	Natural	-	5.2±0.08	1.2-2.0	M3	2	200
43542	GTA-305	ABS UL94HB	Natural	5.7	5.2±0.08	1.2-2.0	M3	2	200
43543	GTA-306.4	ABS UL94HB	Natural	6.4	5.2±0.08	1.2-2.0	M3	2	200
43544	GTA-307	ABS UL94HB	Natural	7.5	5.2±0.08	1.2-2.0	M3	2	200
43545	GTA-308	ABS UL94HB	Natural	8.0	5.2±0.08	1.2-2.0	M3	2	200
43546	GTA-309	ABS UL94HB	Natural	9.0	5.2±0.08	1.2-2.0	M3	2	200
43547	GTA-309.5	ABS UL94HB	Natural	9.5	5.2±0.08	1.2-2.0	M3	2	200
43548	GTA-310	ABS UL94HB	Natural	10.0	5.2±0.08	1.2-2.0	M3	2	200
43549	GTA-311	ABS UL94HB	Natural	11.0	5.2±0.08	1.2-2.0	M3	2	200
43550	GTA-312	ABS UL94HB	Natural	12.0	5.2±0.08	1.2-2.0	M3	2	200
43551	GTA-312.7	ABS UL94HB	Natural	12.7	5.2±0.08	1.2-2.0	M3	2	200
43552	GTA-314	ABS UL94HB	Natural	14.0	5.2±0.08	1.2-2.0	M3	2	200
43553	GTA-316.8	ABS UL94HB	Natural	16.8	5.2±0.08	1.2-2.0	M3	2	200
43554	GTA-320	ABS UL94HB	Natural	20.0	5.2±0.08	1.2-2.0	M3	2	200
43555	GTA-325	ABS UL94HB	Natural	25.0	5.2±0.08	1.2-2.0	M3	2	200
43556	GTA-329	ABS UL94HB	Natural	29.0	5.2±0.08	1.2-2.0	M3	2	200
43573	GTB-300B	PC UL94V0	Black	-	5.2±0.08	1.2-2.0	M3	2	200
43558	GTA-305B	PC UL94V0	Black	5.7	5.2±0.08	1.2-2.0	M3	2	200
43559	GTA-306.4B	PC UL94V0	Black	6.4	5.2±0.08	1.2-2.0	M3	2	200
43560	GTA-307B	PC UL94V0	Black	7.5	5.2±0.08	1.2-2.0	M3	2	200
43561	GTA-308B	PC UL94V0	Black	8.0	5.2±0.08	1.2-2.0	M3	2	200
43562	GTA-309B	PC UL94V0	Black	9.0	5.2±0.08	1.2-2.0	M3	2	200
43563	GTA-309.5B	PC UL94V0	Black	9.5	5.2±0.08	1.2-2.0	M3	2	200
43564	GTA-310B	PC UL94V0	Black	10.0	5.2±0.08	1.2-2.0	M3	2	200
43565	GTA-311B	PC UL94V0	Black	11.0	5.2±0.08	1.2-2.0	M3	2	200
43566	GTA-312B	PC UL94V0	Black	12.0	5.2±0.08	1.2-2.0	M3	2	200
43567	GTA-312.7B	PC UL94V0	Black	12.7	5.2±0.08	1.2-2.0	M3	2	200
43568	GTA-314B	PC UL94V0	Black	14.0	5.2±0.08	1.2-2.0	M3	2	200
43569	GTA-316.8B	PC UL94V0	Black	16.8	5.2±0.08	1.2-2.0	M3	2	200
43570	GTA-320B	PC UL94V0	Black	20.0	5.2±0.08	1.2-2.0	M3	2	200
43571	GTA-325B	PC UL94V0	Black	25.0	5.2±0.08	1.2-2.0	M3	2	200
43572	GTA-329B	PC UL94V0	Black	29.0	5.2±0.08	1.2-2.0	M3	2	200



SPECIAL SPACER

Locking Bushing Spacer GNB/GNA



GNB-300

GNA-3XX

GNB-400

GNA-4XX

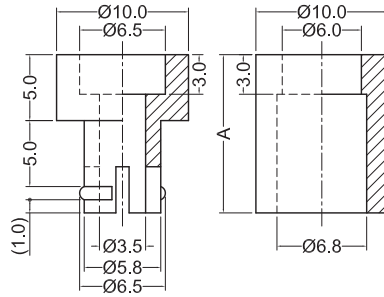


Fig.1

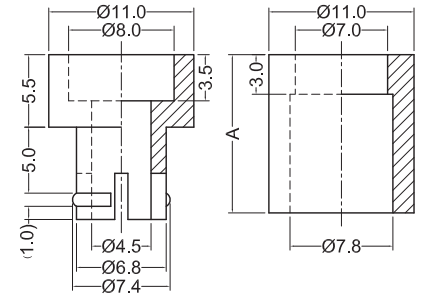


Fig.2

Sizes in mm

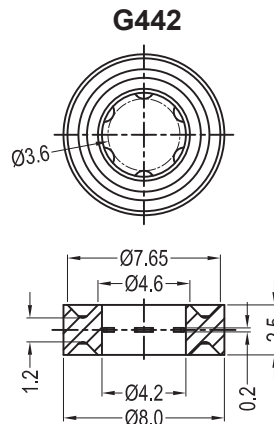
P/N.	Article No.	Material	Color	A	Hole	Panel Thickness	Screw Fit	FIG.	Packing Unit
43520	GNB-300	ABS UL94HB	Natural	-	6.5±0.08	1.2-2.0	M3	1	200
43510	GNA-305	ABS UL94HB	Natural	5.7	6.5±0.08	1.2-2.0	M3	1	200
43511	GNA-307	ABS UL94HB	Natural	7.5	6.5±0.08	1.2-2.0	M3	1	200
43512	GNA-310	ABS UL94HB	Natural	10.0	6.5±0.08	1.2-2.0	M3	1	200
43513	GNA-315	ABS UL94HB	Natural	15.0	6.5±0.08	1.2-2.0	M3	1	200
43514	GNA-320	ABS UL94HB	Natural	20.0	6.5±0.08	1.2-2.0	M3	1	100
43657	GNA-325	ABS UL94HB	Natural	25.0	6.5±0.08	1.2-2.0	M3	1	100
43521	GNB-300B	PC UL94V0	Black	-	6.5±0.08	1.2-2.0	M3	1	200
43515	GNA-305B	PC UL94V0	Black	5.7	6.5±0.08	1.2-2.0	M3	1	200
43516	GNA-307B	PC UL94V0	Black	7.5	6.5±0.08	1.2-2.0	M3	1	200
43517	GNA-310B	PC UL94V0	Black	10.0	6.5±0.08	1.2-2.0	M3	1	200
43518	GNA-315B	PC UL94V0	Black	15.0	6.5±0.08	1.2-2.0	M3	1	200
43519	GNA-320B	PC UL94V0	Black	20.0	6.5±0.08	1.2-2.0	M3	1	100
43658	GNA-325B	PC UL94V0	Black	25.0	6.5±0.08	1.2-2.0	M3	1	100
43534	GNB-400	ABS UL94HB	Natural	-	7.5±0.08	1.2-2.0	M4	2	200
43522	GNA-405	ABS UL94HB	Natural	5.7	7.5±0.08	1.2-2.0	M4	2	200
43523	GNA-407	ABS UL94HB	Natural	7.5	7.5±0.08	1.2-2.0	M4	2	200
43524	GNA-410	ABS UL94HB	Natural	10.0	7.5±0.08	1.2-2.0	M4	2	200
43655	GNA-411.5	ABS UL94HB	Natural	11.5	7.5±0.08	1.2-2.0	M4	2	200
43525	GNA-412.5	ABS UL94HB	Natural	12.5	7.5±0.08	1.2-2.0	M4	2	200
43526	GNA-415	ABS UL94HB	Natural	15.0	7.5±0.08	1.2-2.0	M4	2	100
43527	GNA-420	ABS UL94HB	Natural	20.0	7.5±0.08	1.2-2.0	M4	2	100
43535	GNB-400B	PC UL94V0	Black	-	7.5±0.08	1.2-2.0	M4	2	200
43528	GNA-405B	PC UL94V0	Black	5.7	7.5±0.08	1.2-2.0	M4	2	200
43529	GNA-407B	PC UL94V0	Black	7.5	7.5±0.08	1.2-2.0	M4	2	200
43530	GNA-410B	PC UL94V0	Black	10.0	7.5±0.08	1.2-2.0	M4	2	200
43656	GNA-411.5B	PC UL94V0	Black	11.5	7.5±0.08	1.2-2.0	M4	2	200
43531	GNA-412.5B	PC UL94V0	Black	12.5	7.5±0.08	1.2-2.0	M4	2	200
43532	GNA-415B	PC UL94V0	Black	15.0	7.5±0.08	1.2-2.0	M4	2	100
43533	GNA-420B	PC UL94V0	Black	20.0	7.5±0.08	1.2-2.0	M4	2	100



WASHERS AND CAPS

Retaining Washers

G442



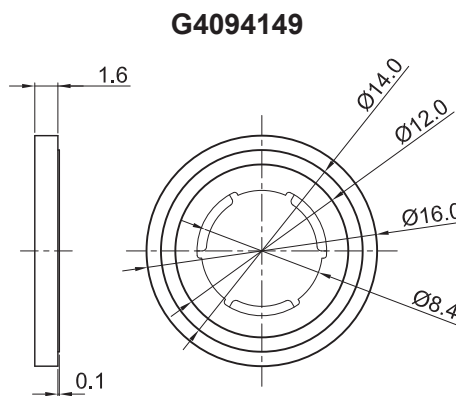
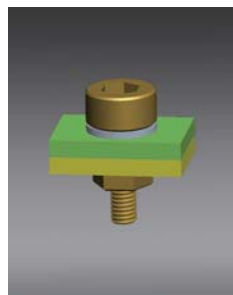
Sizes in mm

P/N.	Article No.	Cross-Ref.	Material	Color	Packing Unit
42091	G442 2569 603 01	016104000001	PA6 UL94V2	Natural	1000

Material: PA6 UL94V2 (GMS-10)

Armrest Washer

G4094149



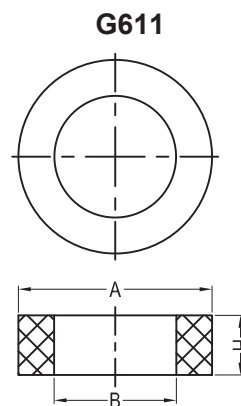
Sizes in mm

P/N.	Article No.	Material	Color	Packing Unit
10070	G4094149	POM UL94HB	Natural	1000

Material: POM UL94HB (GMS-39)

Washers

G611



Sizes in mm

P/N.	Article No.	Material	Color	A	B	H	Packing Unit
60015	G611-30150016B	PA6 UL94V2	Black	6.45	3.7	15.2	1000
60016	G611-30150016N	PA6 UL94V2	Natural	6.45	3.7	15.2	1000
60017	G611-30150014B	PA6 UL94V2	Black	15.75	9.85	4.75	1000
60018	G611-30150014N	PA6 UL94V2	Natural	15.75	9.85	4.75	1000
60019	G611-30150004B	PA6 UL94V2	Black	16.15	11.3	3.25	1000
60020	G611-30150004N	PA6 UL94V2	Natural	16.15	11.3	3.25	1000

Material: PA6 UL94V2 (GMS-10)

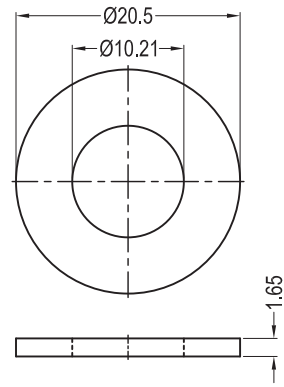
WASHERS AND CAPS

Washers

G17W08070UV



G17W08070UV



Sizes in mm

<u>P/N.</u>	<u>Article No.</u>	<u>Material</u>	<u>Color</u>	<u>Packing Unit</u>
60413	G17W08070UV	PA66 UL94V2 UV Stabilized	Natural	1000

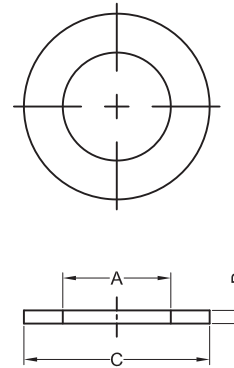
Material: PA66 UL94V2 UV Stabilized (GMS-09)

Washers

G003 0812 000 01



G003 0812 000 01



Sizes in mm

<u>P/N.</u>	<u>Article No.</u>	<u>Cross-Ref.</u>	<u>Material</u>	<u>Color</u>	<u>A</u>	<u>B</u>	<u>C</u>	<u>Packing Unit</u>
61237	G003 0812 000 01	003081200001	PA6 UL94V2	Natural	8.1	1.0	14.0	1000

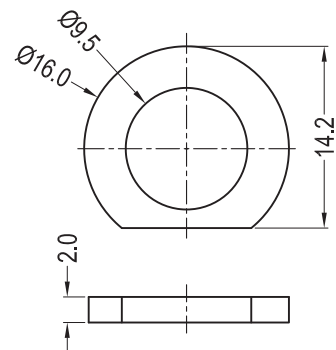
Material: PA6 UL94V2 (GMS-31)

Washers

GNS-T2N



GNS-T2N



Sizes in mm

<u>P/N.</u>	<u>Article No.</u>	<u>Material</u>	<u>Color</u>	<u>Packing Unit</u>
60050	GNS-T2N	PA6+GF UL94HB	Natural	1000

Material: PA6+GF UL94HB (GMS-12)

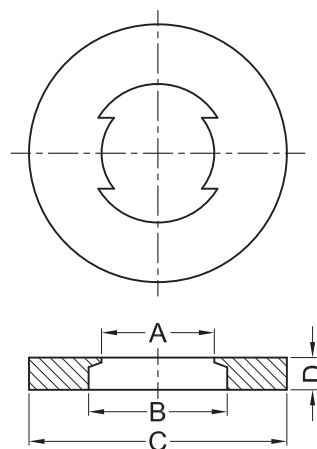
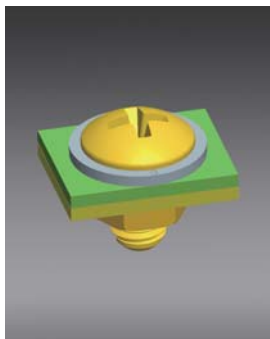
B



WASHERS AND CAPS

Anti-Loss Washers G015/G041/G003/G031

G015/G041/G003/G031



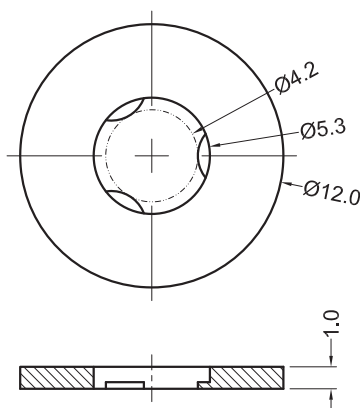
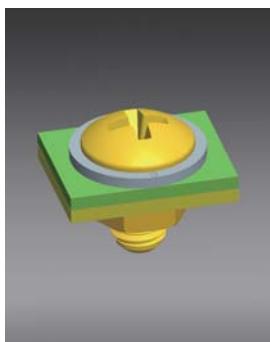
Sizes in mm

P/N.	Article No.	Cross-Ref.	Material	Color	A	B	C	D	Packing Unit
30346	G015 1030 002 03	015103000203	LDPE	Grey	2.6	3.2	5.5	2.1	1000
30308	G015 1050 002 03	015105000203	LDPE	Grey	4.1	5.4	8.5	2.7	1000
30223	G015 2040 087 03	015204008703	LDPE	Traffic Blue	3.5	4.3	8.0	1.0	1000
30268	G003 0400 000 01	003040000001	PA6 UL94V2	Natural	3.5	4.3	9.0	1.4	1000
30325	G031 0400 000 01	031040000001	PA6 UL94V2	Natural	3.5	4.3	7.0	2.3	1000
30247	G041 0400 000 01	041040000001	PA6 UL94V2	Natural	3.5	4.3	8.0	1.0	1000
30258	G041 0800 000 01	041080000001	PA6 UL94V2	Natural	6.9	8.4	15.0	1.5	1000

Material: LDPE (GMS-24); PA6 UL94V2 (GMS-10)

Anti-Loss Washers G104

G104



Sizes in mm

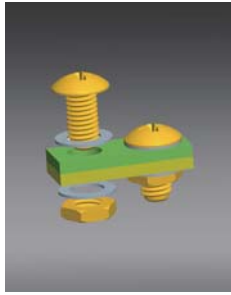
P/N.	Article No.	Cross-Ref.	Material	Color	Packing Unit
43500	G1040080900VR	1040080900VR / 003302100004	HDPE	Natural	1000

Material: HDPE (GMS-70)

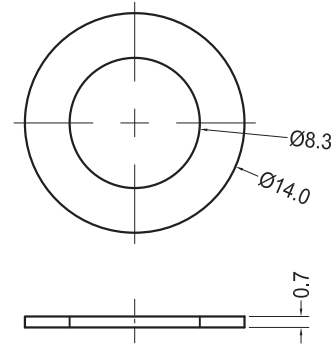
WASHERS AND CAPS

Washer

GL0334481AA01



GL0334481AA01



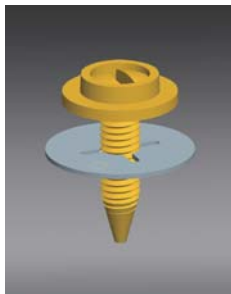
Sizes in mm

<u>P/N.</u>	<u>Article No.</u>	<u>Material</u>	<u>Color</u>	<u>Packing Unit</u>
10078	GL0334481AA01	PA66 UL94V2	Natural	1000

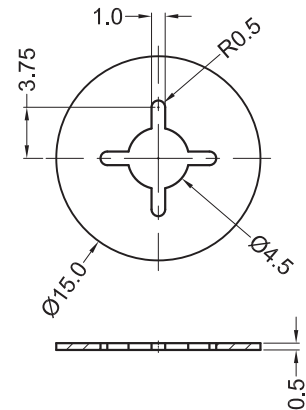
Material: PA66 UL94V2 (GMS-01)

Washers

GW780832



GW780832



Sizes in mm

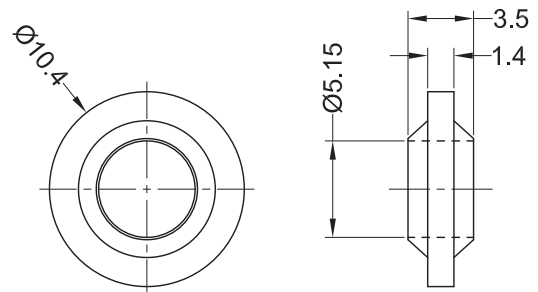
<u>P/N.</u>	<u>Article No.</u>	<u>Material</u>	<u>Color</u>	<u>Packing Unit</u>
10050	GW780832	PA66 UL94V2	Natural	1000

Material: PA66 UL94V2 (GMS-01)

Locking Shoulder Washer

G16MLSW050104140

G16MLSW050104140



Sizes in mm

<u>P/N.</u>	<u>Article No.</u>	<u>Material</u>	<u>Color</u>	<u>Screw Fit</u>	<u>Packing Unit</u>
43911	G16MLSW050104140	PA66 UL94V2	Natural	M5 or #10	1000

Material: PA66 UL94V2 (GMS-65)

B



sales@sucatec.com

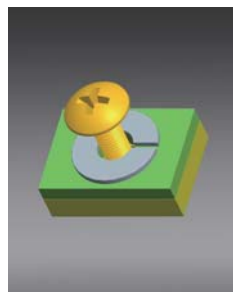


www.sucatec.com

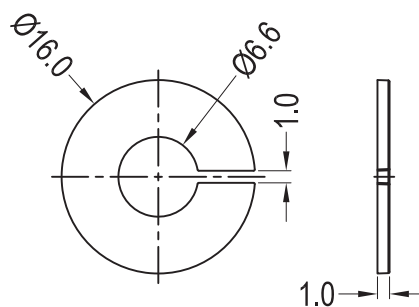
WASHERS AND CAPS

Washers

G3665565



G3665565



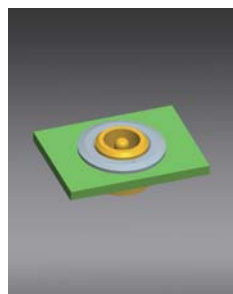
Sizes in mm

P/N.	Article No.	Material	Color	Packing Unit
10055	G3665565	POM-HOMOPOLYMER UL94HB	Black	1000
10067	G3665565N	POM-HOMOPOLYMER UL94HB	Natural	1000

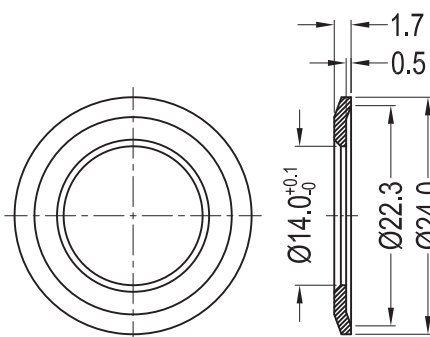
Material: POM-HOMOPOLYMER UL94HB (GMS-21)

Washers

GL0562655AA01



GL0562655AA01



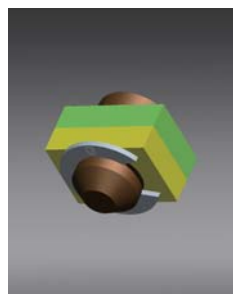
Sizes in mm

P/N.	Article No.	Material	Color	Packing Unit
10060	GL0562655AA01	PA66 Heat Stabilized	Black	1000

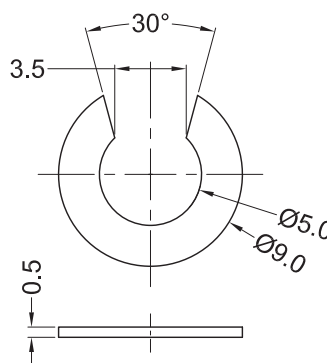
Material: PA66 Heat Stabilized (GMS-22)

Retaining Rings

G2PD-00006A



G2PD-00006A



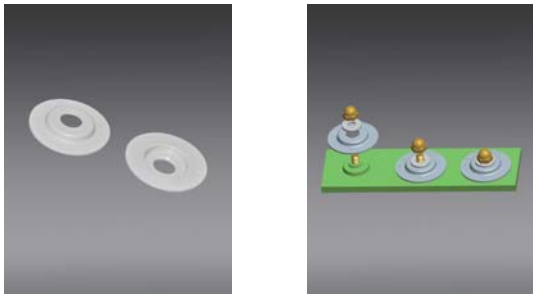
Sizes in mm

P/N.	Article No.	Material	Color	Packing Unit
10064	G2PD-00006A	ASAHI POLYSLIDER	Grey	200

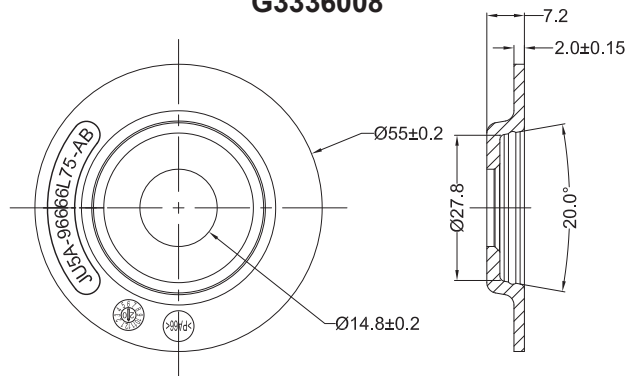
Material: ASAHI POLYSLIDER (GMS-23)

WASHERS AND CAPS

Distance Washer G3336008



G3336008



Sizes in mm

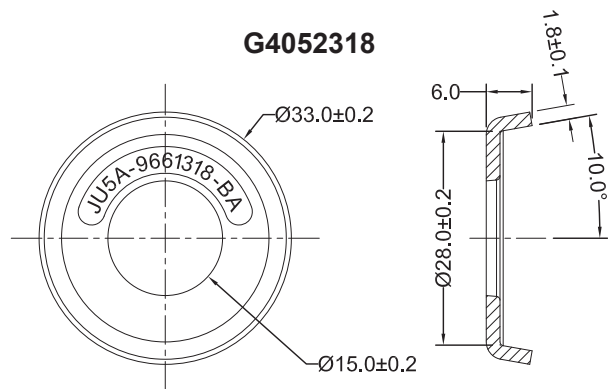
P/N.	Article No.	Material	Color	Packing Unit
10091	G3336008	PA66-I UL94HB	Grey	250

Material: PA66-I UL94HB (GMS-66)

Distance Washer G4052318



G4052318



Sizes in mm

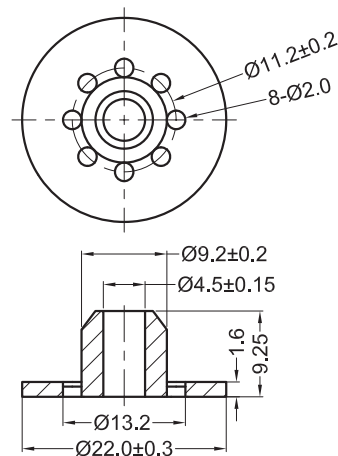
P/N.	Article No.	Material	Color	Packing Unit
10092	G4052318	PA66-I UL94HB	Natural	500

Material: PA66-I UL94HB (GMS-66)

Washers GVP6H5X10836AE



GVP6H5X10836AE



Sizes in mm

P/N.	Article No.	Material	Color	Packing Unit
10041	GVP6H5X10836AE	PP UV STABILIZED	Natural	1000

Material: PP UV STABILIZED (GMS-51)



sales@sucatec.com



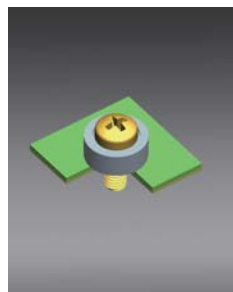
www.sucatec.com

B

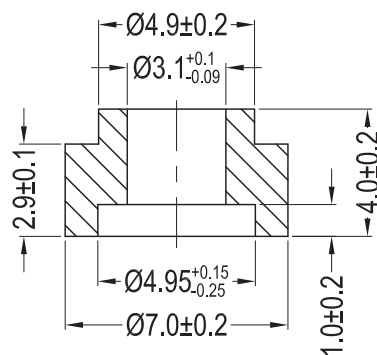
WASHERS AND CAPS

Shoulder Washer

GNS-TS4



GNS-TS4



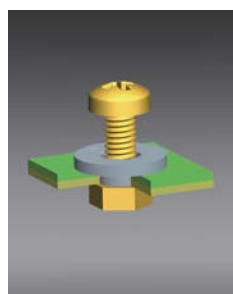
Sizes in mm

P/N.	Article No.	Material	Color	Packing Unit
42100	GNS-TS4	PA66 UL94V0	Natural	1000

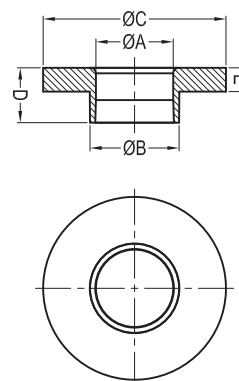
Material: PA66 UL94V0 (GMS-02)

Shoulder Washer

G018



G018



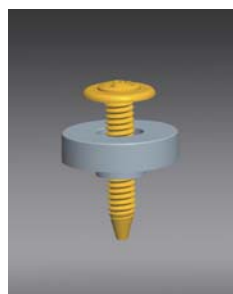
Sizes in mm

P/N.	Article No.	Cross-Ref.	Material	Color						Packing Unit
42269	G018 0400 000 01	018040000001	PA6 UL94V2	Natural	4.2	4.9	10.0	3.0	1.3	1000
42348	G018 0502 000 01	018050200001	PA6 UL94V2	Natural	5.2	7.9	15.0	3.5	1.5	1000
43461	G018 0803 000 01	018080300001	PA6 UL94V2	Natural	8.2	11.8	18.0	3.5	1.5	1000
43501	G018 1002 000 01	018100200001	PA6 UL94V2	Natural	10.2	12.9	19.0	3.5	1.5	1000

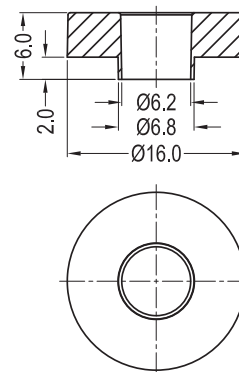
Material: PA6 UL94V2 (GMS-10)

Shoulder Washer

G4430 000 18789



G4430 000 18789



Sizes in mm

P/N.	Article No.	Material	Color	Packing Unit
42782	G4430 000 18789	PA66 UL94V2	Black	1000

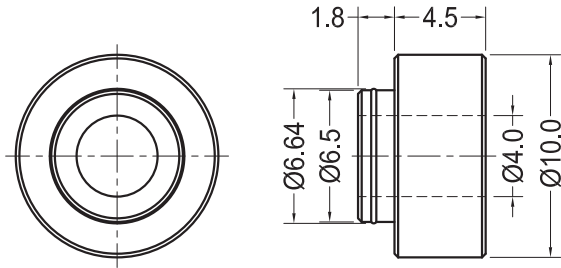
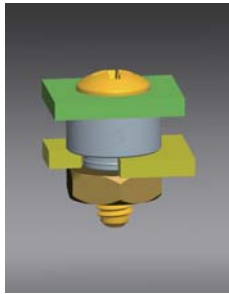
Material: PA66 UL94V2 (GMS-01)

WASHERS AND CAPS

Shoulder Washers

G913975

G913975



Sizes in mm

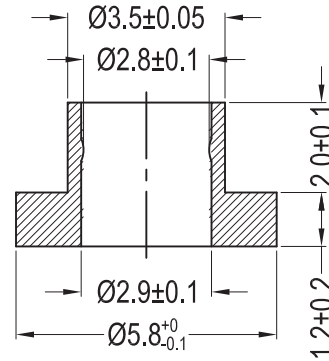
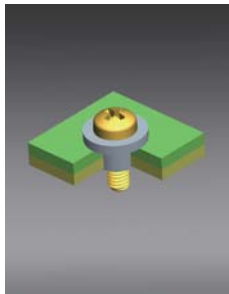
P/N.	Article No.	Material	Color	Packing Unit
43647	G913975	PA66 UL94V2	Natural	1000

Material: PA66 UL94V2 (GMS-65)

Shoulder Washers

GRMZ

GRMZ



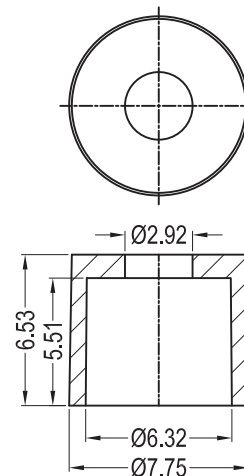
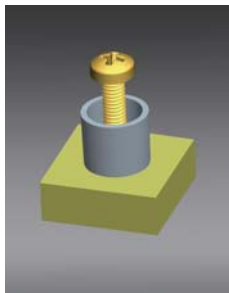
Sizes in mm

P/N.	Article No.	Material	Color	Packing Unit
41326	GRMZ1363	PA66 UL94V0	Natural	1000

Material: PA66 UL94V0 (GMS-02)

CUP WASHER

CUP WASHER



Sizes in mm

P/N.	Article No.	Cross-Ref.	Material	Color	Packing Unit
40038	CUP WASHER	16CW004257	PA66 UL94V2	Natural	1000

Material: PA66 UL94V2 (GMS-01)

B



sales@sucatec.com

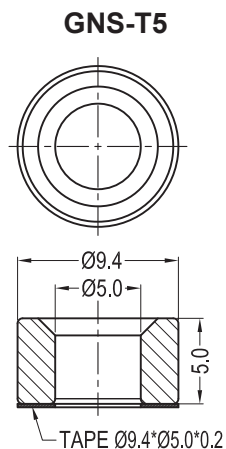


www.sucatec.com

WASHERS AND CAPS

Headboard Washers

GNS-T5



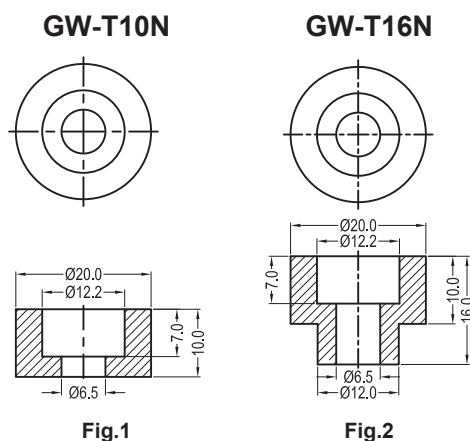
Sizes in mm

P/N.	Article No.	Material	Material I	Color	Packing Unit
60035	GNS-T5-V0	PA66 UL94V0	-	Natural	1000
60036	GNS-T5-V0-AT	PA66 UL94V0	Tape	Natural	1000

Material: PA66 UL94V0 (GMS-02); Adhesive Tape (GMS-06)

Headboard Washers

GW-T



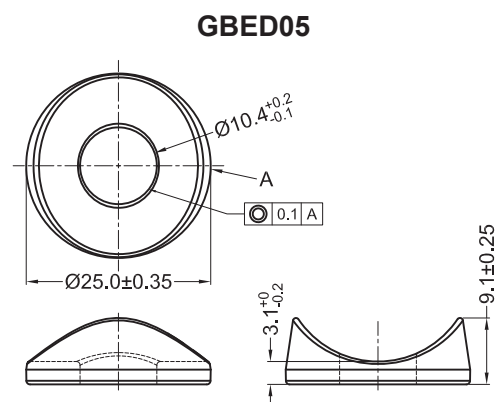
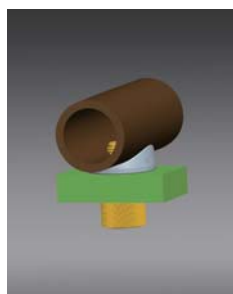
Sizes in mm

P/N.	Article No.	Material	Color	FIG.	Packing Unit
60040	GW-T10N	PA6+GF UL94HB	Natural	1	1000
60041	GW-T16N	PA6+GF UL94HB	Natural	2	500

Material: PA6+GF UL94HB (GMS-12)

Saddle Washers

GBED05



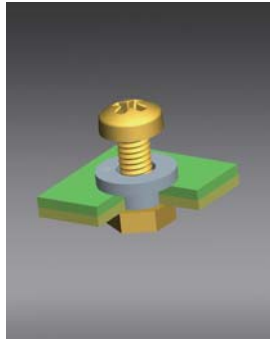
Sizes in mm

P/N.	Article No.	Material	Color	Packing Unit
61072	GBED05/287	PA6 UL94V2	Grey	1000

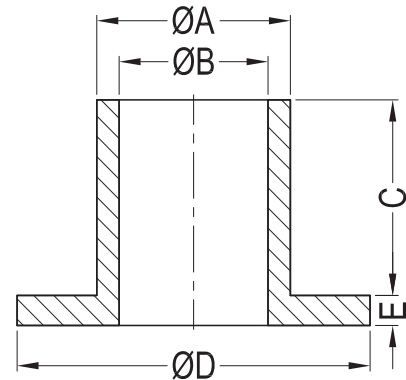
Material: PA6 UL94V2 (GMS-10)

WASHERS AND CAPS

Shoulder Washers GCE



GCE



Sizes in mm

P/N.	Article No.	Cross-Ref.	Material	Color	A	B	C	D	E	Packing Unit
43454	GCE2320	MNI-2-2	PA66 UL94V2	Natural	3.0	2.3	0.8	4.6	1.2	1000
43490	GCE2923	-	PA66 UL94V2	Natural	3.56	2.92	1.17	6.4	1.2	1000
43491	GCE2935	-	PA66 UL94V2	Natural	3.56	2.92	2.36	6.4	1.2	1000
43492	GCE2951	-	PA66 UL94V2	Natural	3.56	2.92	3.96	6.4	1.2	1000
43465	GCE3644	12SWS0460	PA66 UL94V2	Natural	4.3	3.6	3.2	7.4	1.2	1000
40976	GCE3644-V0	-	PA66 UL94V0	Natural	4.3	3.6	3.2	7.4	1.2	1000
41486	GCE4077	-	PA66 UL94V2	Natural	4.7	4.0	6.25	10.84	1.5	1000
42613	GCE4440	MNI-8-6	PA66 UL94V2	Natural	5.2	4.4	2.4	8.7	1.6	1000
43907	GCE44110	MNI-8-24	PA66 UL94V2	Natural	5.2	4.4	9.5	8.7	1.6	1000
42472	GCE4540B-2	312083159935	PA6+GF UL94HB	Black	6.0	4.5	3.2	8.0	0.8	1000
42641	GCE4025B	312085059935	PA6 UL94V2	Black	6.3	4.0	1.3	9.3	1.2	1000
42640	GCE6230B	312081759935	PA66 UL94V2	Black	6.5	6.2	2.0	12.0	1.0	1000
43909	GCE6235	018060100001	PA66 UL94V2	Natural	7.9	6.2	2.0	15.0	1.5	1000
43772	GCE5140	MNI-10-6	PA66 UL94V2	Natural	6.6	5.1	2.4	10.1	1.6	1000
42529	GCE5163	MNI-10-12	PA66 UL94V2	Natural	6.6	5.1	4.7	10.1	1.6	1000
43437	GCE5163B	-	PA66 UL94V2	Black	6.6	5.1	4.7	10.1	1.6	1000
43684	GCE8140	MNI-5/16-6	PA66 UL94V2	Natural	9.1	8.1	2.4	15.7	1.6	1000
43685	GCE8180	MNI-5/16-16	PA66 UL94V2	Natural	9.1	8.1	6.4	15.7	1.6	1000
40035	GCE8110	-	PA66 UL94V2	Natural	11.0	8.1	8.0	20.0	2.0	1000
40036	GCE8115	-	PA66 UL94V2	Natural	11.0	8.1	13.0	20.0	2.0	1000
43326	GCE10012B	-	PA66 UL94V2	Black	13.0	10.0	10.0	23.7	2.0	1000
40033	GCE10015	-	PA66 UL94V2	Natural	13.0	10.0	13.0	23.7	2.0	1000
40609	GCE10015B	-	PA66 UL94V2	Black	13.0	10.0	13.0	23.7	2.0	1000
40034	GCE10025	-	PA66 UL94V2	Natural	13.0	10.0	23.0	23.7	2.0	500
40767	GCE15034B	-	PA66 UL94V2	Black	21.0	15.0	30.0	27.0	4.0	200
43726	GCE20160	018200000001	PA6 UL94 V2	Natural	21.8	20.1	3.0	36.0	3.0	500

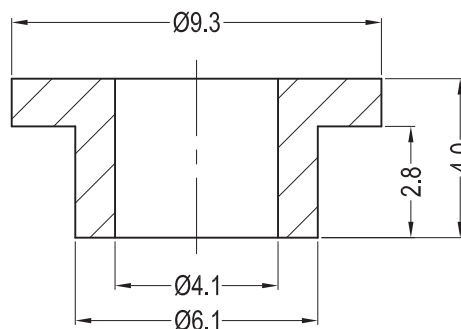
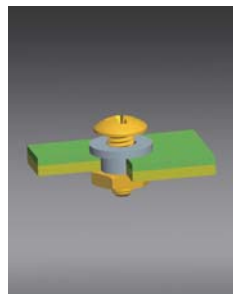
Material: PA66 UL94V2 (GMS-01); PA66 UL94V0 (GMS-02); PA6 UL94V2 (GMS-10); PA6+GF UL94HB (GMS-12)



WASHERS AND CAPS

Screw Insulator GPLS019163

GPLS019163



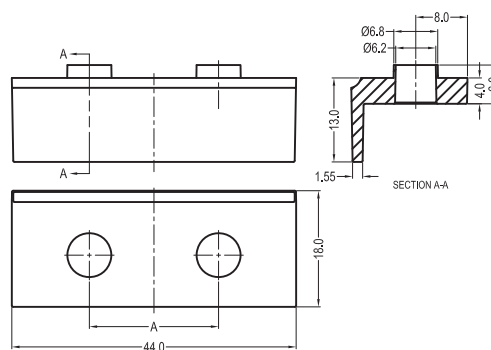
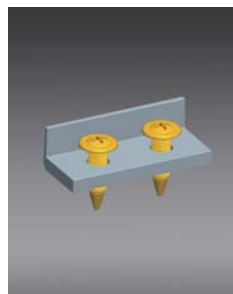
Sizes in mm

P/N.	Article No.	Material	Color	Packing Unit
42783	GPLS019163	PA66 UL94V2	White	1000

Material: PA66 UL94V2 (GMS-01)

Washers G4430

G4430



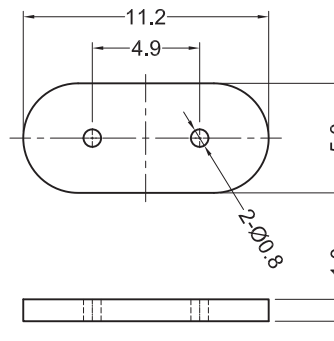
Sizes in mm

P/N.	Article No.	Material	A	Color	Packing Unit
42780	G4430 000 18787	PA66 UL94V2	20.0	Black	500
42781	G4430 000 18788	PA66 UL94V2	26.0	Black	500

Material: PA66 UL94V2 (GMS-01)

Washers GFFCI-4904

GFFCI-4904



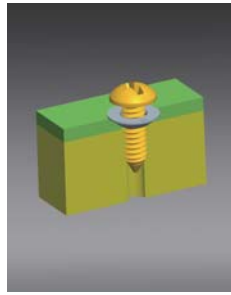
Sizes in mm

P/N.	Article No.	Material	Color	Packing Unit
61284	GFFCI-4904	PA66 UL94V2	Natural	1000

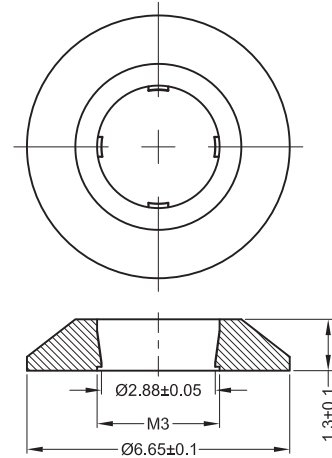
Material: PA66 UL94V2 (GMS-01)

WASHERS AND CAPS

Anti-Loss Washers GNWSH



GNWSH



Sizes in mm

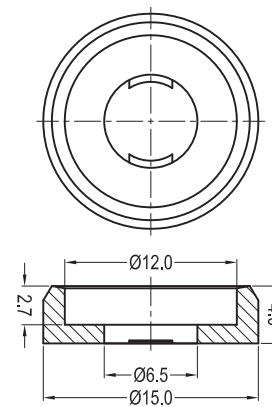
P/N.	Article No.	Material	Color	Packing Unit
30259	GNWSH	PA66 UL94V2	Natural	1000

Material: PA66 UL94V2 (GMS-01)

Finishing Washer I G007 2060



G007 2060



Sizes in mm

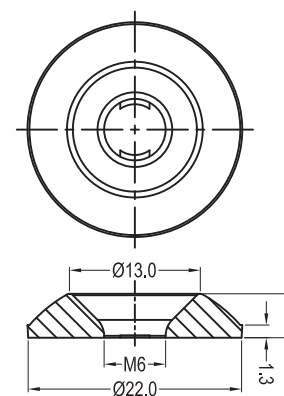
P/N.	Article No.	Cross-Ref.	Material	Color	Packing Unit
30257	G007 2060 599 01	007206059901	PA6 UL94V2	Black	1000

Material: PA6 UL94V2 (GMS-10)

Finishing Washer I G007 3060



G007 3060



Sizes in mm

P/N.	Article No.	Cross-Ref.	Material	Color	Packing Unit
30245	G007 3060 599 01	007306059901	PA6 UL94V2	Black	1000

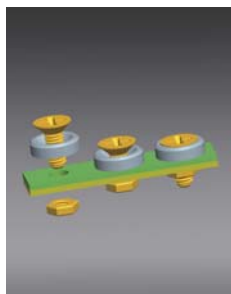
Material: PA6 UL94V2 (GMS-10)



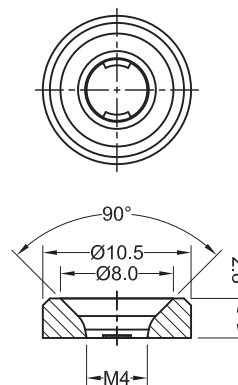
WASHERS AND CAPS

Finishing Washer I

G007 1040



G007 1040



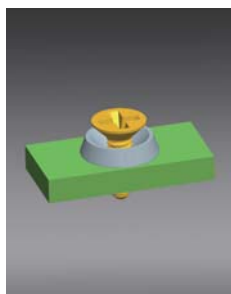
Sizes in mm

P/N.	Article No.	Cross-Ref.	Material	Color	Packing Unit
43509	G007 1040 599 01	007104059901	PA6 UL94V2	Black	1000

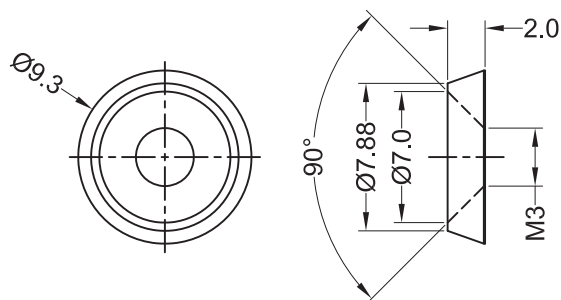
Material: PA6 UL94V2 (GMS-10)

Finishing Washer I

G0451000



G0451000



Sizes in mm

P/N.	Article No.	Material	Color	Packing Unit
30365	G0451000	PA66 UL94V2	Natural	1000

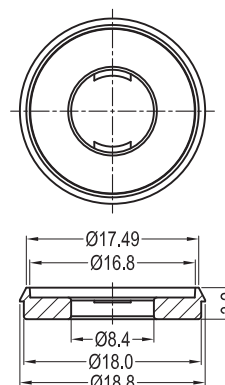
Material: PA66 UL94V2 (GMS-65)

Finishing Washer II

G006 1081



G006 1081



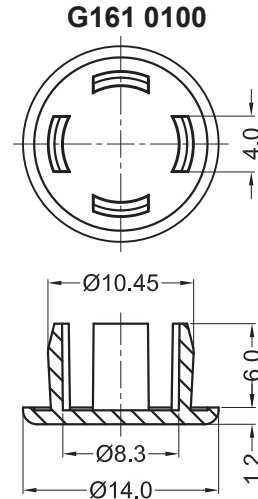
Sizes in mm

P/N.	Article No.	Cross-Ref.	Material	Color	Packing Unit
30262	G006 1081 000 01	006108100001	PA6 UL94V2	Natural	1000

Material: PA6 UL94V2 (GMS-10)

WASHERS AND CAPS

Cover Cap G161 0100

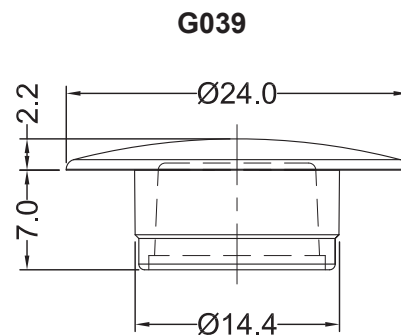
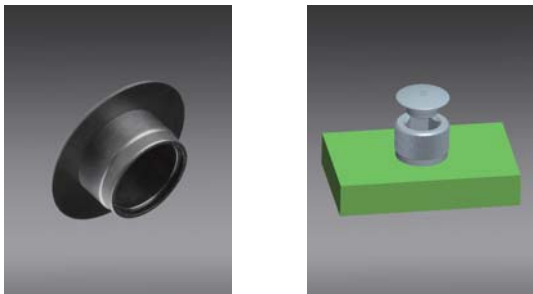


Sizes in mm

P/N.	Article No.	Cross-Ref.	Material	Color	Hole	Panel Thickness	Packing Unit
60801	G161 0100 154 02	161010015402	PA66 UL94V2	Beige	10.0±0.08	0.8-3.8	1000
61405	G161 0100 113 02	161010011302	PA66 UL94V2	White	10.0±0.08	0.8-3.8	1000
61394	G161 0100 599 02	161010059902	PA66 UL94V2	Black	10.0±0.08	0.8-3.8	1000

Material: PA66 UL94V2 (GMS-01)

Socket Head Screw Caps G039

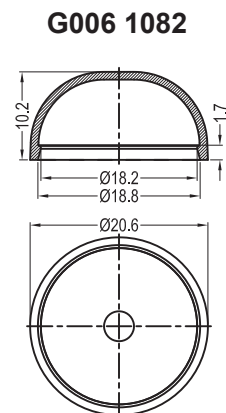


Sizes in mm

P/N.	Article No.	Cross-Ref.	Material	Color	Packing Unit
61396	G039 0016 220 03	039001622003	LDPE	Black	1000

Material: LDPE (GMS-24)

Cover Cap G006 1082



Sizes in mm

P/N.	Article No.	Cross-Ref.	Material	Color	Packing Unit
30263	G006 1082 599 01	006108259901	PA6 UL94V2	Black	1000
30327	G006 1082 002 01	006108200201	PA6 UL94V2	Grey	1000

Material: PA6 UL94V2 (GMS-10)



sales@sucatec.com



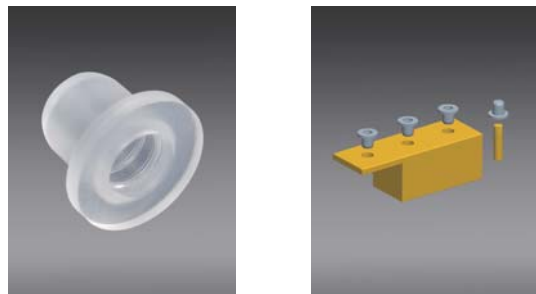
www.sucatec.com

B

WASHERS AND CAPS

Protection Cap

G061



G061 0053

G061 0042

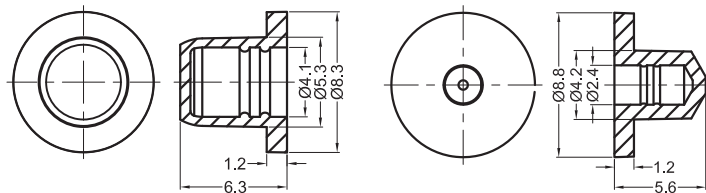


Fig.1

Fig.2

Sizes in mm

P/N.	Article No.	Cross-Ref.	Material	Color	FIG.	Packing Unit
60944	G061 0053 000 03	061005300003	LDPE	Natural	1	1000
60945	G061 0042 000 03	061004200003	LDPE	Natural	2	1000

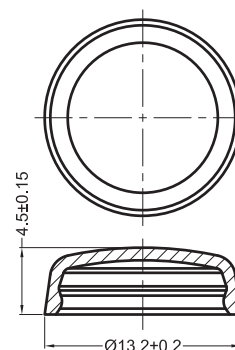
Material: LDPE (GMS-24)

Unicaps

G1328



G1328



Sizes in mm

P/N.	Article No.	Cross-Ref.	Material	Color	Packing Unit
30318	G13282	13282	PP UL94HB Chrome Plated	Silver	2500
30319	G13280	13280	PP UL94HB	Black	2500

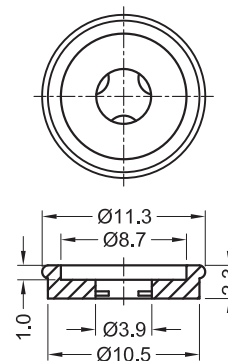
Material: PP UL94HB (GMS-26)

Unicap Cover Cap

G13299



G13299



Sizes in mm

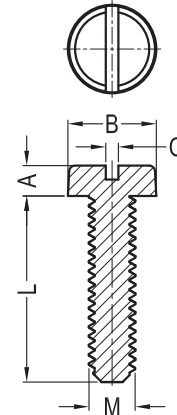
P/N.	Article No.	Cross-Ref.	Material	Color	Packing Unit
30260	G13299	13299	PP UL94HB	White	2500

Material: PP UL94HB (GMS-26)

SCREWS AND NUTS

Slotted Cheese Head Screws GCHS-S-1207

GCHS-S-1207



Sizes in mm

P/N.	Article No.	Cross-Ref.	Material	Color	A	B	C	L	Thread M	Packing Unit
50000	GCHS-S-1207-M2-4	NSE-1207-M2-4	PA66 UL94V2	Natural	1.3	3.8	0.6	4.0	M2	1000
50001	GCHS-S-1207-M2-5	NSE-1207-M2-5	PA66 UL94V2	Natural	1.3	3.8	0.6	5.0	M2	1000
50003	GCHS-S-1207-M2-6	NSE-1207-M2-6	PA66 UL94V2	Natural	1.3	3.8	0.6	6.0	M2	1000
50004	GCHS-S-1207-M2-8	NSE-1207-M2-8	PA66 UL94V2	Natural	1.3	3.8	0.6	8.0	M2	1000
50005	GCHS-S-1207-M2-10	NSE-1207-M2-10	PA66 UL94V2	Natural	1.3	3.8	0.6	10.0	M2	1000
50006	GCHS-S-1207-M2-12	NSE-1207-M2-12	PA66 UL94V2	Natural	1.3	3.8	0.6	12.0	M2	1000
50007	GCHS-S-1207-M2-16	NSE-1207-M2-16	PA66 UL94V2	Natural	1.3	3.8	0.6	16.0	M2	1000
50008	GCHS-S-1207-M2-20	NSE-1207-M2-20	PA66 UL94V2	Natural	1.3	3.8	0.6	20.0	M2	1000
50009	GCHS-S-1207-M2-25	NSE-1207-M2-25	PA66 UL94V2	Natural	1.3	3.8	0.6	25.0	M2	1000
50461	GCHS-S-1207-M2.5-4	NSE-1207-M2.5-4	PA66 UL94V2	Natural	1.8	4.5	0.7	4.0	M2.5	1000
50028	GCHS-S-1207-M2.5-4.5	NSE-1207-M2.5-4.5	PA66 UL94V2	Natural	1.8	4.5	0.7	4.5	M2.5	1000
50509	GCHS-S-1207-M2.5-5	NSE-1207-M2.5-5	PA66 UL94V2	Natural	1.8	4.5	0.7	5.0	M2.5	1000
50029	GCHS-S-1207-M2.5-6	NSE-1207-M2.5-6	PA66 UL94V2	Natural	1.8	4.5	0.7	6.0	M2.5	1000
50030	GCHS-S-1207-M2.5-8	NSE-1207-M2.5-8	PA66 UL94V2	Natural	1.8	4.5	0.7	8.0	M2.5	1000
50031	GCHS-S-1207-M2.5-10	NSE-1207-M2.5-10	PA66 UL94V2	Natural	1.8	4.5	0.7	10.0	M2.5	1000
50032	GCHS-S-1207-M2.5-12	NSE-1207-M2.5-12	PA66 UL94V2	Natural	1.8	4.5	0.7	12.0	M2.5	1000
50033	GCHS-S-1207-M2.5-16	NSE-1207-M2.5-16	PA66 UL94V2	Natural	1.8	4.5	0.7	16.0	M2.5	1000
50034	GCHS-S-1207-M2.5-20	NSE-1207-M2.5-20	PA66 UL94V2	Natural	1.8	4.5	0.7	20.0	M2.5	1000
50035	GCHS-S-1207-M2.5-25	NSE-1207-M2.5-25	PA66 UL94V2	Natural	1.8	4.5	0.7	25.0	M2.5	1000
50052	GCHS-S-1207-M3-4	NSE-1207-M3-4	PA66 UL94V2	Natural	2.0	5.5	0.7	4.0	M3	1000
50053	GCHS-S-1207-M3-5	NSE-1207-M3-5	PA66 UL94V2	Natural	2.0	5.5	0.9	5.0	M3	1000
50054	GCHS-S-1207-M3-6	NSE-1207-M3-6	PA66 UL94V2	Natural	2.0	5.5	0.9	6.0	M3	1000
50055	GCHS-S-1207-M3-8	NSE-1207-M3-8	PA66 UL94V2	Natural	2.0	5.5	0.9	8.0	M3	1000
50056	GCHS-S-1207-M3-10	NSE-1207-M3-10	PA66 UL94V2	Natural	2.0	5.5	0.9	10.0	M3	1000
50057	GCHS-S-1207-M3-12	NSE-1207-M3-12	PA66 UL94V2	Natural	2.0	5.5	0.9	12.0	M3	1000
50058	GCHS-S-1207-M3-16	NSE-1207-M3-16	PA66 UL94V2	Natural	2.0	5.5	0.9	16.0	M3	1000
50059	GCHS-S-1207-M3-20	NSE-1207-M3-20	PA66 UL94V2	Natural	2.0	5.5	0.9	20.0	M3	1000
50060	GCHS-S-1207-M3-25	NSE-1207-M3-25	PA66 UL94V2	Natural	2.0	5.5	0.9	25.0	M3	1000
50061	GCHS-S-1207-M3-30	NSE-1207-M3-30	PA66 UL94V2	Natural	2.0	5.5	0.9	30.0	M3	1000
50062	GCHS-S-1207-M3-35	NSE-1207-M3-35	PA66 UL94V2	Natural	2.0	5.5	0.9	35.0	M3	1000
50063	GCHS-S-1207-M3-40	NSE-1207-M3-40	PA66 UL94V2	Natural	2.0	5.5	0.9	40.0	M3	1000
50516	GCHS-S-1207-M4-4	NSE-1207-M4-4	PA66 UL94V2	Natural	2.6	7.0	1.3	4.0	M4	1000
50100	GCHS-S-1207-M4-6	NSE-1207-M4-6	PA66 UL94V2	Natural	2.6	7.0	1.3	6.0	M4	1000

Material: PA66 UL94V2 (GMS-01)



sales@sucatec.com

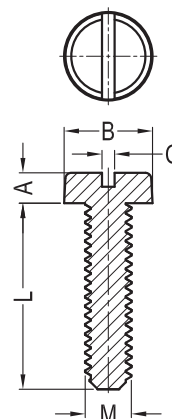


www.sucatec.com

Slotted Cheese Head Screws GCHS-S-1207



GCHS-S-1207



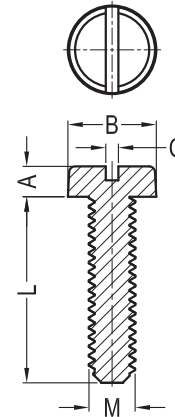
Sizes in mm

P/N.	Article No.	Cross-Ref.	Material	Color	A	B	C	L	Thread M	Packing Unit
50101	GCHS-S-1207-M4-8	NSE-1207-M4-8	PA66 UL94V2	Natural	2.6	7.0	1.3	8.0	M4	1000
50102	GCHS-S-1207-M4-10	NSE-1207-M4-10	PA66 UL94V2	Natural	2.6	7.0	1.3	10.0	M4	1000
50103	GCHS-S-1207-M4-12	NSE-1207-M4-12	PA66 UL94V2	Natural	2.6	7.0	1.3	12.0	M4	1000
50554	GCHS-S-1207-M4-15	NSE-1207-M4-15	PA66 UL94V2	Natural	2.6	7.0	1.3	15.0	M4	1000
50104	GCHS-S-1207-M4-16	NSE-1207-M4-16	PA66 UL94V2	Natural	2.6	7.0	1.3	16.0	M4	1000
50105	GCHS-S-1207-M4-20	NSE-1207-M4-20	PA66 UL94V2	Natural	2.6	7.0	1.3	20.0	M4	1000
50106	GCHS-S-1207-M4-25	NSE-1207-M4-25	PA66 UL94V2	Natural	2.6	7.0	1.3	25.0	M4	1000
50107	GCHS-S-1207-M4-30	NSE-1207-M4-30	PA66 UL94V2	Natural	2.6	7.0	1.3	30.0	M4	1000
50108	GCHS-S-1207-M4-40	NSE-1207-M4-40	PA66 UL94V2	Natural	2.6	7.0	1.3	40.0	M4	1000
50136	GCHS-S-1207-M5-6	NSE-1207-M5-6	PA66 UL94V2	Natural	3.3	8.5	1.3	6.0	M5	1000
50137	GCHS-S-1207-M5-8	NSE-1207-M5-8	PA66 UL94V2	Natural	3.3	8.5	1.3	8.0	M5	1000
50138	GCHS-S-1207-M5-10	NSE-1207-M5-10	PA66 UL94V2	Natural	3.3	8.5	1.3	10.0	M5	1000
50139	GCHS-S-1207-M5-12	NSE-1207-M5-12	PA66 UL94V2	Natural	3.3	8.5	1.3	12.0	M5	1000
50140	GCHS-S-1207-M5-16	NSE-1207-M5-16	PA66 UL94V2	Natural	3.3	8.5	1.3	16.0	M5	1000
50141	GCHS-S-1207-M5-20	NSE-1207-M5-20	PA66 UL94V2	Natural	3.3	8.5	1.3	20.0	M5	1000
50142	GCHS-S-1207-M5-25	NSE-1207-M5-25	PA66 UL94V2	Natural	3.3	8.5	1.3	25.0	M5	1000
50143	GCHS-S-1207-M5-30	NSE-1207-M5-30	PA66 UL94V2	Natural	3.3	8.5	1.3	30.0	M5	1000
50144	GCHS-S-1207-M5-40	NSE-1207-M5-40	PA66 UL94V2	Natural	3.3	8.5	1.3	40.0	M5	1000
50145	GCHS-S-1207-M5-50	NSE-1207-M5-50	PA66 UL94V2	Natural	3.3	8.5	1.3	50.0	M5	1000
50176	GCHS-S-1207-M6-5	NSE-1207-M6-5	PA66 UL94V2	Natural	3.9	10.0	1.7	5.0	M6	1000
50177	GCHS-S-1207-M6-6	NSE-1207-M6-6	PA66 UL94V2	Natural	3.9	10.0	1.7	6.0	M6	1000
50178	GCHS-S-1207-M6-6.5	NSE-1207-M6-6.5	PA66 UL94V2	Natural	3.9	10.0	1.7	6.5	M6	1000
50179	GCHS-S-1207-M6-8	NSE-1207-M6-8	PA66 UL94V2	Natural	3.9	10.0	1.7	8.0	M6	1000
50180	GCHS-S-1207-M6-10	NSE-1207-M6-10	PA66 UL94V2	Natural	3.9	10.0	1.7	10.0	M6	1000
50181	GCHS-S-1207-M6-12	NSE-1207-M6-12	PA66 UL94V2	Natural	3.9	10.0	1.7	12.0	M6	1000
50182	GCHS-S-1207-M6-16	NSE-1207-M6-16	PA66 UL94V2	Natural	3.9	10.0	1.7	16.0	M6	1000
50183	GCHS-S-1207-M6-20	NSE-1207-M6-20	PA66 UL94V2	Natural	3.9	10.0	1.7	20.0	M6	1000
50557	GCHS-S-1207-M6-22	NSE-1207-M6-22	PA66 UL94V2	Natural	3.9	10.0	1.7	22.0	M6	1000
50184	GCHS-S-1207-M6-25	NSE-1207-M6-25	PA66 UL94V2	Natural	3.9	10.0	1.7	25.0	M6	1000
50185	GCHS-S-1207-M6-30	NSE-1207-M6-30	PA66 UL94V2	Natural	3.9	10.0	1.7	30.0	M6	1000
50186	GCHS-S-1207-M6-40	NSE-1207-M6-40	PA66 UL94V2	Natural	3.9	10.0	1.7	40.0	M6	1000
50187	GCHS-S-1207-M6-50	NSE-1207-M6-50	PA66 UL94V2	Natural	3.9	10.0	1.7	50.0	M6	1000
50188	GCHS-S-1207-M6-60	NSE-1207-M6-60	PA66 UL94V2	Natural	3.9	10.0	1.7	60.0	M6	500

Material: PA66 UL94V2 (GMS-01)

Slotted Cheese Head Screws GCHS-S-1207

GCHS-S-1207



Sizes in mm

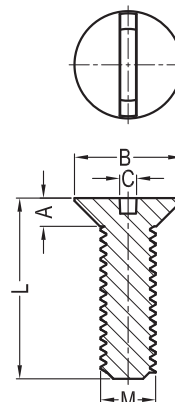
<u>P/N.</u>	<u>Article No.</u>	<u>Cross-Ref.</u>	<u>Material</u>	<u>Color</u>	<u>A</u>	<u>B</u>	<u>C</u>	<u>L</u>	<u>Thread M</u>	<u>Packing Unit</u>
50660	GCHS-S-1207-M8-8	-	PA66 UL94V2	Natural	4.9	12.8	2.2	8.0	M8	1000
50566	GCHS-S-1207-M8-10	-	PA66 UL94V2	Natural	4.9	12.8	2.2	10.0	M8	1000
50567	GCHS-S-1207-M8-12	-	PA66 UL94V2	Natural	4.9	12.8	2.2	12.0	M8	1000
50568	GCHS-S-1207-M8-16	-	PA66 UL94V2	Natural	4.9	12.8	2.2	16.0	M8	1000
50569	GCHS-S-1207-M8-20	-	PA66 UL94V2	Natural	4.9	12.8	2.2	20.0	M8	1000
50570	GCHS-S-1207-M8-25	-	PA66 UL94V2	Natural	4.9	12.8	2.2	25.0	M8	1000
50571	GCHS-S-1207-M8-30	-	PA66 UL94V2	Natural	4.9	12.8	2.2	30.0	M8	1000
50572	GCHS-S-1207-M8-35	-	PA66 UL94V2	Natural	4.9	12.8	2.2	35.0	M8	1000
50573	GCHS-S-1207-M8-40	-	PA66 UL94V2	Natural	4.9	12.8	2.2	40.0	M8	500
50574	GCHS-S-1207-M8-45	-	PA66 UL94V2	Natural	4.9	12.8	2.2	45.0	M8	500
50575	GCHS-S-1207-M8-50	-	PA66 UL94V2	Natural	4.9	12.8	2.2	50.0	M8	500

Material: PA66 UL94V2 (GMS-01)

Slotted Countersunk Screws GCSHS-2009



GCSHS-2009



Sizes in mm

P/N.	Article No.	Cross-Ref.	Material	Color	A	B	C	L	Thread M	Packing Unit
50928	GCSHS-2009-M2-5	-	PA66 UL94V2	Natural	1.2	3.8	0.7	5.0	M2	1000
50929	GCSHS-2009-M2-6	-	PA66 UL94V2	Natural	1.2	3.8	0.7	6.0	M2	1000
50930	GCSHS-2009-M2-8	-	PA66 UL94V2	Natural	1.2	3.8	0.7	8.0	M2	1000
50931	GCSHS-2009-M2-10	-	PA66 UL94V2	Natural	1.2	3.8	0.7	10.0	M2	1000
50932	GCSHS-2009-M2-12	-	PA66 UL94V2	Natural	1.2	3.8	0.7	12.0	M2	1000
50933	GCSHS-2009-M2-16	-	PA66 UL94V2	Natural	1.2	3.8	0.7	16.0	M2	1000
50934	GCSHS-2009-M2-20	-	PA66 UL94V2	Natural	1.2	3.8	0.7	20.0	M2	1000
50935	GCSHS-2009-M2-25	-	PA66 UL94V2	Natural	1.2	3.8	0.7	25.0	M2	1000
50936	GCSHS-2009-M2.5-5	-	PA66 UL94V2	Natural	1.5	4.7	0.8	5.0	M2.5	1000
50937	GCSHS-2009-M2.5-6	-	PA66 UL94V2	Natural	1.5	4.7	0.8	6.0	M2.5	1000
50938	GCSHS-2009-M2.5-8	-	PA66 UL94V2	Natural	1.5	4.7	0.8	8.0	M2.5	1000
50939	GCSHS-2009-M2.5-10	-	PA66 UL94V2	Natural	1.5	4.7	0.8	10.0	M2.5	1000
50940	GCSHS-2009-M2.5-12	-	PA66 UL94V2	Natural	1.5	4.7	0.8	12.0	M2.5	1000
50941	GCSHS-2009-M2.5-16	-	PA66 UL94V2	Natural	1.5	4.7	0.8	16.0	M2.5	1000
50942	GCSHS-2009-M2.5-20	-	PA66 UL94V2	Natural	1.5	4.7	0.8	20.0	M2.5	1000
50943	GCSHS-2009-M2.5-25	-	PA66 UL94V2	Natural	1.5	4.7	0.8	25.0	M2.5	1000
50228	GCSHS-2009-M3-5	NSE-2009-M3-5	PA66 UL94V2	Natural	1.65	5.5	1.0	5.0	M3	1000
50229	GCSHS-2009-M3-6	NSE-2009-M3-6	PA66 UL94V2	Natural	1.65	5.5	1.0	6.0	M3	1000
50230	GCSHS-2009-M3-8	NSE-2009-M3-8	PA66 UL94V2	Natural	1.65	5.5	1.0	8.0	M3	1000
50423	GCSHS-2009-M3-10	NSE-2009-M3-10	PA66 UL94V2	Natural	1.65	5.5	1.0	10.0	M3	1000
50440	GCSHS-2009-M3-12	NSE-2009-M3-12	PA66 UL94V2	Natural	1.65	5.5	1.0	12.0	M3	1000
50231	GCSHS-2009-M3-16	NSE-2009-M3-16	PA66 UL94V2	Natural	1.65	5.5	1.0	16.0	M3	1000
50232	GCSHS-2009-M3-20	NSE-2009-M3-20	PA66 UL94V2	Natural	1.65	5.5	1.0	20.0	M3	1000
50233	GCSHS-2009-M3-25	NSE-2009-M3-25	PA66 UL94V2	Natural	1.65	5.5	1.0	25.0	M3	1000
50234	GCSHS-2009-M3-30	NSE-2009-M3-30	PA66 UL94V2	Natural	1.65	5.5	1.0	30.0	M3	1000
50235	GCSHS-2009-M3-42	NSE-2009-M3-42	PA66 UL94V2	Natural	1.65	5.5	1.0	42.0	M3	1000
50264	GCSHS-2009-M4-6	NSE-2009-M4-6	PA66 UL94V2	Natural	2.7	8.4	1.3	6.0	M4	1000
50265	GCSHS-2009-M4-8	NSE-2009-M4-8	PA66 UL94V2	Natural	2.7	8.4	1.3	8.0	M4	1000
50266	GCSHS-2009-M4-10	NSE-2009-M4-10	PA66 UL94V2	Natural	2.7	8.4	1.3	10.0	M4	1000
50267	GCSHS-2009-M4-12	NSE-2009-M4-12	PA66 UL94V2	Natural	2.7	8.4	1.3	12.0	M4	1000
50268	GCSHS-2009-M4-15	NSE-2009-M4-15	PA66 UL94V2	Natural	2.7	8.4	1.3	15.0	M4	1000
50269	GCSHS-2009-M4-16	NSE-2009-M4-16	PA66 UL94V2	Natural	2.7	8.4	1.3	16.0	M4	1000
50270	GCSHS-2009-M4-20	NSE-2009-M4-20	PA66 UL94V2	Natural	2.7	8.4	1.3	20.0	M4	1000
50271	GCSHS-2009-M4-25	NSE-2009-M4-25	PA66 UL94V2	Natural	2.7	8.4	1.3	25.0	M4	1000
50272	GCSHS-2009-M4-30	NSE-2009-M4-30	PA66 UL94V2	Natural	2.7	8.4	1.3	30.0	M4	1000
50273	GCSHS-2009-M4-35	NSE-2009-M4-35	PA66 UL94V2	Natural	2.7	8.4	1.3	35.0	M4	1000
50441	GCSHS-2009-M5-6	NSE-2009-M5-6	PA66 UL94V2	Natural	2.7	9.0	1.4	6.0	M5	1000
50302	GCSHS-2009-M5-7	NSE-2009-M5-7	PA66 UL94V2	Natural	2.7	9.0	1.4	7.0	M5	1000
50303	GCSHS-2009-M5-8	NSE-2009-M5-8	PA66 UL94V2	Natural	2.7	9.0	1.4	8.0	M5	1000
50304	GCSHS-2009-M5-10	NSE-2009-M5-10	PA66 UL94V2	Natural	2.7	9.0	1.4	10.0	M5	1000
50305	GCSHS-2009-M5-12	NSE-2009-M5-12	PA66 UL94V2	Natural	2.7	9.0	1.4	12.0	M5	1000
50306	GCSHS-2009-M5-15	NSE-2009-M5-15	PA66 UL94V2	Natural	2.7	9.0	1.4	15.0	M5	1000
50307	GCSHS-2009-M5-16	NSE-2009-M5-16	PA66 UL94V2	Natural	2.7	9.0	1.4	16.0	M5	1000
50308	GCSHS-2009-M5-18	NSE-2009-M5-18	PA66 UL94V2	Natural	2.7	9.0	1.4	18.0	M5	1000
50309	GCSHS-2009-M5-20	NSE-2009-M5-20	PA66 UL94V2	Natural	2.7	9.0	1.4	20.0	M5	1000
50310	GCSHS-2009-M5-25	NSE-2009-M5-25	PA66 UL94V2	Natural	2.7	9.0	1.4	25.0	M5	1000

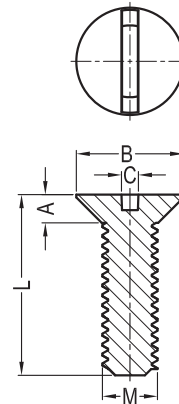
Material: PA66 UL94V2 (GMS-01)

SCREWS AND NUTS

Slotted Countersunk Screws GCSHS-2009



GCSHS-2009



Sizes in mm

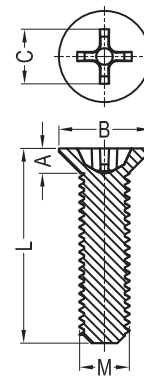
P/N.	Article No.	Cross-Ref.	Material	Color	A	B	C	L	Thread M	Packing Unit
50311	GCSHS-2009-M5-30	NSE-2009-M5-30	PA66 UL94V2	Natural	2.7	9.0	1.4	30.0	M5	1000
50312	GCSHS-2009-M5-35	NSE-2009-M5-35	PA66 UL94V2	Natural	2.7	9.0	1.4	35.0	M5	1000
50313	GCSHS-2009-M5-40	NSE-2009-M5-40	PA66 UL94V2	Natural	2.7	9.0	1.4	40.0	M5	1000
50346	GCSHS-2009-M6-8	NSE-2009-M6-8	PA66 UL94V2	Natural	3.3	11.0	1.8	8.0	M6	1000
50347	GCSHS-2009-M6-10	NSE-2009-M6-10	PA66 UL94V2	Natural	3.3	11.0	1.8	10.0	M6	1000
50348	GCSHS-2009-M6-12	NSE-2009-M6-12	PA66 UL94V2	Natural	3.3	11.0	1.8	12.0	M6	1000
50349	GCSHS-2009-M6-15	NSE-2009-M6-15	PA66 UL94V2	Natural	3.3	11.0	1.8	15.0	M6	1000
50431	GCSHS-2009-M6-16	NSE-2009-M6-16	PA66 UL94V2	Natural	3.3	11.0	1.8	16.0	M6	1000
50350	GCSHS-2009-M6-20	NSE-2009-M6-20	PA66 UL94V2	Natural	3.3	11.0	1.8	20.0	M6	1000
50432	GCSHS-2009-M6-22	NSE-2009-M6-22	PA66 UL94V2	Natural	3.3	11.0	1.8	22.0	M6	1000
50351	GCSHS-2009-M6-25	NSE-2009-M6-25	PA66 UL94V2	Natural	3.3	11.0	1.8	25.0	M6	1000
50352	GCSHS-2009-M6-30	NSE-2009-M6-30	PA66 UL94V2	Natural	3.3	11.0	1.8	30.0	M6	1000
50353	GCSHS-2009-M6-40	NSE-2009-M6-40	PA66 UL94V2	Natural	3.3	11.0	1.8	40.0	M6	1000
50354	GCSHS-2009-M6-50	NSE-2009-M6-50	PA66 UL94V2	Natural	3.3	11.0	1.8	50.0	M6	1000
50355	GCSHS-2009-M6-60	NSE-2009-M6-60	PA66 UL94V2	Natural	3.3	11.0	1.8	60.0	M6	1000

Material: PA66 UL94V2 (GMS-01)

Crossed Countersunk Screws GCSHSC-7046



GCSHSC-7046



Sizes in mm

P/N.	Article No.	Material	Color	A	B	C	L	Thread M	Packing Unit
50944	GCSHSC-7046-M2-5	PA66 UL94V2	Natural	1.2	3.8	1.9	5.0	M2	1000
50945	GCSHSC-7046-M2-6	PA66 UL94V2	Natural	1.2	3.8	1.9	6.0	M2	1000
50946	GCSHSC-7046-M2-8	PA66 UL94V2	Natural	1.2	3.8	1.9	8.0	M2	1000
50947	GCSHSC-7046-M2-10	PA66 UL94V2	Natural	1.2	3.8	1.9	10.0	M2	1000
50948	GCSHSC-7046-M2-12	PA66 UL94V2	Natural	1.2	3.8	1.9	12.0	M2	1000
50949	GCSHSC-7046-M2-16	PA66 UL94V2	Natural	1.2	3.8	1.9	16.0	M2	1000
50950	GCSHSC-7046-M2-20	PA66 UL94V2	Natural	1.2	3.8	1.9	20.0	M2	1000
50951	GCSHSC-7046-M2-25	PA66 UL94V2	Natural	1.2	3.8	1.9	25.0	M2	1000
50952	GCSHSC-7046-M2.5-5	PA66 UL94V2	Natural	1.5	4.7	2.7	5.0	M2.5	1000
50953	GCSHSC-7046-M2.5-6	PA66 UL94V2	Natural	1.5	4.7	2.7	6.0	M2.5	1000

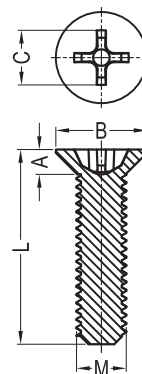
Material: PA66 UL94V2 (GMS-01)



Crossed Countersunk Screws GCSHSC-7046



GCSHSC-7046



Sizes in mm

P/N.	Article No.	Material	Color	A	B	C	L	Thread M	Packing Unit
50954	GCSHSC-7046-M2.5-8	PA66 UL94V2	Natural	1.5	4.7	2.7	8.0	M2.5	1000
50955	GCSHSC-7046-M2.5-10	PA66 UL94V2	Natural	1.5	4.7	2.7	10.0	M2.5	1000
50956	GCSHSC-7046-M2.5-12	PA66 UL94V2	Natural	1.5	4.7	2.7	12.0	M2.5	1000
50957	GCSHSC-7046-M2.5-16	PA66 UL94V2	Natural	1.5	4.7	2.7	16.0	M2.5	1000
50958	GCSHSC-7046-M2.5-20	PA66 UL94V2	Natural	1.5	4.7	2.7	20.0	M2.5	1000
50959	GCSHSC-7046-M2.5-25	PA66 UL94V2	Natural	1.5	4.7	2.7	25.0	M2.5	1000
50244	GCSHSC-7046-M3-5	PA66 UL94V2	Natural	1.65	5.5	2.9	5.0	M3	1000
50245	GCSHSC-7046-M3-6	PA66 UL94V2	Natural	1.65	5.5	2.9	6.0	M3	1000
50246	GCSHSC-7046-M3-8	PA66 UL94V2	Natural	1.65	5.5	2.9	8.0	M3	1000
50247	GCSHSC-7046-M3-10	PA66 UL94V2	Natural	1.65	5.5	2.9	10.0	M3	1000
50248	GCSHSC-7046-M3-12	PA66 UL94V2	Natural	1.65	5.5	2.9	12.0	M3	1000
50249	GCSHSC-7046-M3-16	PA66 UL94V2	Natural	1.65	5.5	2.9	16.0	M3	1000
50250	GCSHSC-7046-M3-20	PA66 UL94V2	Natural	1.65	5.5	2.9	20.0	M3	1000
50251	GCSHSC-7046-M3-25	PA66 UL94V2	Natural	1.65	5.5	2.9	25.0	M3	1000
50252	GCSHSC-7046-M3-30	PA66 UL94V2	Natural	1.65	5.5	2.9	30.0	M3	1000
50253	GCSHSC-7046-M3-42	PA66 UL94V2	Natural	1.65	5.5	2.9	42.0	M3	1000
50282	GCSHSC-7046-M4-6	PA66 UL94V2	Natural	2.7	8.4	4.6	6.0	M4	1000
50283	GCSHSC-7046-M4-8	PA66 UL94V2	Natural	2.7	8.4	4.6	8.0	M4	1000
50284	GCSHSC-7046-M4-10	PA66 UL94V2	Natural	2.7	8.4	4.6	10.0	M4	1000
50285	GCSHSC-7046-M4-12	PA66 UL94V2	Natural	2.7	8.4	4.6	12.0	M4	1000
50286	GCSHSC-7046-M4-15	PA66 UL94V2	Natural	2.7	8.4	4.6	15.0	M4	1000
50287	GCSHSC-7046-M4-16	PA66 UL94V2	Natural	2.7	8.4	4.6	16.0	M4	1000
50288	GCSHSC-7046-M4-20	PA66 UL94V2	Natural	2.7	8.4	4.6	20.0	M4	1000
50289	GCSHSC-7046-M4-25	PA66 UL94V2	Natural	2.7	8.4	4.6	25.0	M4	1000
50290	GCSHSC-7046-M4-30	PA66 UL94V2	Natural	2.7	8.4	4.6	30.0	M4	1000
50291	GCSHSC-7046-M4-35	PA66 UL94V2	Natural	2.7	8.4	4.6	35.0	M4	1000
50653	GCSHSC-7046-M5-6	PA66 UL94V2	Natural	2.7	9.0	4.8	6.0	M5	1000
50322	GCSHSC-7046-M5-7	PA66 UL94V2	Natural	2.7	9.0	4.8	7.0	M5	1000
50323	GCSHSC-7046-M5-8	PA66 UL94V2	Natural	2.7	9.0	4.8	8.0	M5	1000
50324	GCSHSC-7046-M5-10	PA66 UL94V2	Natural	2.7	9.0	4.8	10.0	M5	1000
50325	GCSHSC-7046-M5-12	PA66 UL94V2	Natural	2.7	9.0	4.8	12.0	M5	1000
50326	GCSHSC-7046-M5-15	PA66 UL94V2	Natural	2.7	9.0	4.8	15.0	M5	1000
50327	GCSHSC-7046-M5-16	PA66 UL94V2	Natural	2.7	9.0	4.8	16.0	M5	1000
50328	GCSHSC-7046-M5-18	PA66 UL94V2	Natural	2.7	9.0	4.8	18.0	M5	1000
50329	GCSHSC-7046-M5-20	PA66 UL94V2	Natural	2.7	9.0	4.8	20.0	M5	1000
50330	GCSHSC-7046-M5-25	PA66 UL94V2	Natural	2.7	9.0	4.8	25.0	M5	1000
50331	GCSHSC-7046-M5-30	PA66 UL94V2	Natural	2.7	9.0	4.8	30.0	M5	1000
50332	GCSHSC-7046-M5-35	PA66 UL94V2	Natural	2.7	9.0	4.8	35.0	M5	1000
50333	GCSHSC-7046-M5-40	PA66 UL94V2	Natural	2.7	9.0	4.8	40.0	M5	1000
50366	GCSHSC-7046-M6-8	PA66 UL94V2	Natural	3.3	11.0	6.6	8.0	M6	1000
50367	GCSHSC-7046-M6-10	PA66 UL94V2	Natural	3.3	11.0	6.6	10.0	M6	1000
50368	GCSHSC-7046-M6-12	PA66 UL94V2	Natural	3.3	11.0	6.6	12.0	M6	1000
50369	GCSHSC-7046-M6-15	PA66 UL94V2	Natural	3.3	11.0	6.6	15.0	M6	1000
50370	GCSHSC-7046-M6-16	PA66 UL94V2	Natural	3.3	11.0	6.6	16.0	M6	1000
50371	GCSHSC-7046-M6-20	PA66 UL94V2	Natural	3.3	11.0	6.6	20.0	M6	1000
50372	GCSHSC-7046-M6-22	PA66 UL94V2	Natural	3.3	11.0	6.6	22.0	M6	1000

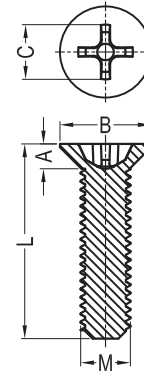
Material: PA66 UL94V2 (GMS-01)

SCREWS AND NUTS

Crossed Countersunk Screws GCSHSC-7046



GCSHSC-7046



Sizes in mm

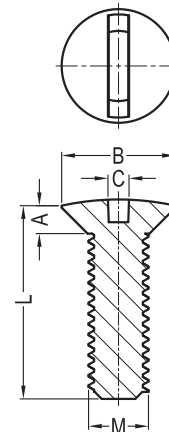
P/N.	Article No.	Material	Color	A	B	C	L	Thread M	Packing Unit
50373	GCSHSC-7046-M6-25	PA66 UL94V2	Natural	3.3	11.0	6.6	25.0	M6	1000
50374	GCSHSC-7046-M6-30	PA66 UL94V2	Natural	3.3	11.0	6.6	30.0	M6	1000
50375	GCSHSC-7046-M6-40	PA66 UL94V2	Natural	3.3	11.0	6.6	40.0	M6	1000
50376	GCSHSC-7046-M6-50	PA66 UL94V2	Natural	3.3	11.0	6.6	50.0	M6	1000
50377	GCSHSC-7046-M6-60	PA66 UL94V2	Natural	3.3	11.0	6.6	60.0	M6	1000

Material: PA66 UL94V2 (GMS-01)

Raised Slotted Countersunk Screws GCSOHS-2010



GCSOHS-2010



Sizes in mm

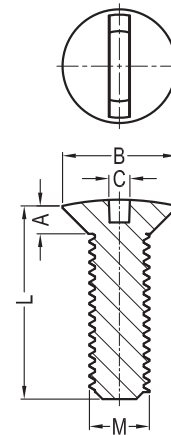
P/N.	Article No.	Cross-Ref.	Material	Color	A	B	C	L	Thread M	Packing Unit
50960	GCSOHS-2010-M2-5	-	PA66 UL94V2	Natural	1.2	3.8	0.7	5.0	M2	1000
50961	GCSOHS-2010-M2-6	-	PA66 UL94V2	Natural	1.2	3.8	0.7	6.0	M2	1000
50962	GCSOHS-2010-M2-8	-	PA66 UL94V2	Natural	1.2	3.8	0.7	8.0	M2	1000
50963	GCSOHS-2010-M2-10	-	PA66 UL94V2	Natural	1.2	3.8	0.7	10.0	M2	1000
50964	GCSOHS-2010-M2-12	-	PA66 UL94V2	Natural	1.2	3.8	0.7	12.0	M2	1000
50965	GCSOHS-2010-M2-16	-	PA66 UL94V2	Natural	1.2	3.8	0.7	16.0	M2	1000
50967	GCSOHS-2010-M2-20	-	PA66 UL94V2	Natural	1.2	3.8	0.7	20.0	M2	1000
50966	GCSOHS-2010-M2-25	-	PA66 UL94V2	Natural	1.2	3.8	0.7	25.0	M2	1000
50968	GCSOHS-2010-M2.5-5	-	PA66 UL94V2	Natural	1.5	4.7	0.8	5.0	M2.5	1000
50969	GCSOHS-2010-M2.5-6	-	PA66 UL94V2	Natural	1.5	4.7	0.8	6.0	M2.5	1000
50970	GCSOHS-2010-M2.5-8	-	PA66 UL94V2	Natural	1.5	4.7	0.8	8.0	M2.5	1000
50971	GCSOHS-2010-M2.5-10	-	PA66 UL94V2	Natural	1.5	4.7	0.8	10.0	M2.5	1000
50972	GCSOHS-2010-M2.5-12	-	PA66 UL94V2	Natural	1.5	4.7	0.8	12.0	M2.5	1000
50973	GCSOHS-2010-M2.5-16	-	PA66 UL94V2	Natural	1.5	4.7	0.8	16.0	M2.5	1000
50975	GCSOHS-2010-M2.5-20	-	PA66 UL94V2	Natural	1.5	4.7	0.8	20.0	M2.5	1000
50974	GCSOHS-2010-M2.5-25	-	PA66 UL94V2	Natural	1.5	4.7	0.8	25.0	M2.5	1000
50236	GCSOHS-2010-M3-5	NSE-2010-M3-5	PA66 UL94V2	Natural	1.7	5.5	1.0	5.0	M3	1000
50237	GCSOHS-2010-M3-6	NSE-2010-M3-6	PA66 UL94V2	Natural	1.7	5.5	1.0	6.0	M3	1000
50238	GCSOHS-2010-M3-8	NSE-2010-M3-8	PA66 UL94V2	Natural	1.7	5.5	1.0	8.0	M3	1000
50239	GCSOHS-2010-M3-10	NSE-2010-M3-10	PA66 UL94V2	Natural	1.7	5.5	1.0	10.0	M3	1000

Material: PA66 UL94V2 (GMS-01)



Raised Slotted Countersunk Screws GCSOHS-2010

GCSOHS-2010



Sizes in mm

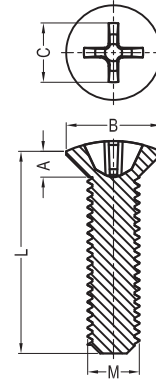
P/N.	Article No.	Cross-Ref.	Material	Color	A	B	C	L	Thread M	Packing Unit
50240	GCSOHS-2010-M3-12	NSE-2010-M3-12	PA66 UL94V2	Natural	1.7	5.5	1.0	12.0	M3	1000
50241	GCSOHS-2010-M3-16	NSE-2010-M3-16	PA66 UL94V2	Natural	1.7	5.5	1.0	16.0	M3	1000
50242	GCSOHS-2010-M3-20	NSE-2010-M3-20	PA66 UL94V2	Natural	1.7	5.5	1.0	20.0	M3	1000
50243	GCSOHS-2010-M3-25	NSE-2010-M3-25	PA66 UL94V2	Natural	1.7	5.5	1.0	25.0	M3	1000
50426	GCSOHS-2010-M3-30	NSE-2010-M3-30	PA66 UL94V2	Natural	1.7	5.5	1.0	30.0	M3	1000
50560	GCSOHS-2010-M3-42	NSE-2010-M3-42	PA66 UL94V2	Natural	1.7	5.5	1.0	42.0	M3	1000
50274	GCSOHS-2010-M4-6	NSE-2010-M4-6	PA66 UL94V2	Natural	2.7	8.4	1.3	6.0	M4	1000
50275	GCSOHS-2010-M4-8	NSE-2010-M4-8	PA66 UL94V2	Natural	2.7	8.4	1.3	8.0	M4	1000
50276	GCSOHS-2010-M4-10	NSE-2010-M4-10	PA66 UL94V2	Natural	2.7	8.4	1.3	10.0	M4	1000
50277	GCSOHS-2010-M4-12	NSE-2010-M4-12	PA66 UL94V2	Natural	2.7	8.4	1.3	12.0	M4	1000
50278	GCSOHS-2010-M4-15	NSE-2010-M4-15	PA66 UL94V2	Natural	2.7	8.4	1.3	15.0	M4	1000
50561	GCSOHS-2010-M4-16	NSE-2010-M4-16	PA66 UL94V2	Natural	2.7	8.4	1.3	16.0	M4	1000
50279	GCSOHS-2010-M4-20	NSE-2010-M4-20	PA66 UL94V2	Natural	2.7	8.4	1.3	20.0	M4	1000
50280	GCSOHS-2010-M4-25	NSE-2010-M4-25	PA66 UL94V2	Natural	2.7	8.4	1.3	25.0	M4	1000
50281	GCSOHS-2010-M4-30	NSE-2010-M4-30	PA66 UL94V2	Natural	2.7	8.4	1.3	30.0	M4	1000
50652	GCSOHS-2010-M4-35	NSE-2010-M4-35	PA66 UL94V2	Natural	2.7	8.4	1.3	35.0	M4	1000
50654	GCSOHS-2010-M5-6	NSE-2010-M5-6	PA66 UL94V2	Natural	2.7	9.0	1.4	6.0	M5	1000
50562	GCSOHS-2010-M5-7	NSE-2010-M5-7	PA66 UL94V2	Natural	2.7	9.0	1.4	7.0	M5	1000
50563	GCSOHS-2010-M5-8	NSE-2010-M5-8	PA66 UL94V2	Natural	2.7	9.0	1.4	8.0	M5	1000
50314	GCSOHS-2010-M5-10	NSE-2010-M5-10	PA66 UL94V2	Natural	2.7	9.0	1.4	10.0	M5	1000
50315	GCSOHS-2010-M5-12	NSE-2010-M5-12	PA66 UL94V2	Natural	2.7	9.0	1.4	12.0	M5	1000
50316	GCSOHS-2010-M5-15	NSE-2010-M5-15	PA66 UL94V2	Natural	2.7	9.0	1.4	15.0	M5	1000
50317	GCSOHS-2010-M5-16	NSE-2010-M5-16	PA66 UL94V2	Natural	2.7	9.0	1.4	16.0	M5	1000
50318	GCSOHS-2010-M5-18	NSE-2010-M5-18	PA66 UL94V2	Natural	2.7	9.0	1.4	18.0	M5	1000
50319	GCSOHS-2010-M5-20	NSE-2010-M5-20	PA66 UL94V2	Natural	2.7	9.0	1.4	20.0	M5	1000
50320	GCSOHS-2010-M5-25	NSE-2010-M5-25	PA66 UL94V2	Natural	2.7	9.0	1.4	25.0	M5	1000
50321	GCSOHS-2010-M5-30	NSE-2010-M5-30	PA66 UL94V2	Natural	2.7	9.0	1.4	30.0	M5	1000
50564	GCSOHS-2010-M5-35	NSE-2010-M5-35	PA66 UL94V2	Natural	2.7	9.0	1.4	35.0	M5	1000
50565	GCSOHS-2010-M5-40	NSE-2010-M5-40	PA66 UL94V2	Natural	2.7	9.0	1.4	40.0	M5	1000
50356	GCSOHS-2010-M6-8	NSE-2010-M6-8	PA66 UL94V2	Natural	3.3	11.0	1.8	8.0	M6	1000
50357	GCSOHS-2010-M6-10	NSE-2010-M6-10	PA66 UL94V2	Natural	3.3	11.0	1.8	10.0	M6	1000
50358	GCSOHS-2010-M6-12	NSE-2010-M6-12	PA66 UL94V2	Natural	3.3	11.0	1.8	12.0	M6	1000
50359	GCSOHS-2010-M6-15	NSE-2010-M6-15	PA66 UL94V2	Natural	3.3	11.0	1.8	15.0	M6	1000
50433	GCSOHS-2010-M6-16	NSE-2010-M6-16	PA66 UL94V2	Natural	3.3	11.0	1.8	16.0	M6	1000
50360	GCSOHS-2010-M6-20	NSE-2010-M6-20	PA66 UL94V2	Natural	3.3	11.0	1.8	20.0	M6	1000
50361	GCSOHS-2010-M6-22	NSE-2010-M6-22	PA66 UL94V2	Natural	3.3	11.0	1.8	22.0	M6	1000
50362	GCSOHS-2010-M6-25	NSE-2010-M6-25	PA66 UL94V2	Natural	3.3	11.0	1.8	25.0	M6	1000
50363	GCSOHS-2010-M6-30	NSE-2010-M6-30	PA66 UL94V2	Natural	3.3	11.0	1.8	30.0	M6	1000
50364	GCSOHS-2010-M6-40	NSE-2010-M6-40	PA66 UL94V2	Natural	3.3	11.0	1.8	40.0	M6	1000
50365	GCSOHS-2010-M6-50	NSE-2010-M6-50	PA66 UL94V2	Natural	3.3	11.0	1.8	50.0	M6	1000
50427	GCSOHS-2010-M6-60	NSE-2010-M6-60	PA66 UL94V2	Natural	3.3	11.0	1.8	60.0	M6	1000

Material: PA66 UL94V2 (GMS-01)

SCREWS AND NUTS

Raised Crossed Countersunk Screws GCSOHSC-7047

GCSOHSC-7047



Sizes in mm

P/N.	Article No.	Material	Color	A	B	C	L	Thread M	Packing Unit
50976	GCSOHSC-7047-M2-5	PA66 UL94V2	Natural	1.2	3.8	2.0	5.0	M2	1000
50977	GCSOHSC-7047-M2-6	PA66 UL94V2	Natural	1.2	3.8	2.0	6.0	M2	1000
50978	GCSOHSC-7047-M2-8	PA66 UL94V2	Natural	1.2	3.8	2.0	8.0	M2	1000
50979	GCSOHSC-7047-M2-10	PA66 UL94V2	Natural	1.2	3.8	2.0	10.0	M2	1000
50980	GCSOHSC-7047-M2-12	PA66 UL94V2	Natural	1.2	3.8	2.0	12.0	M2	1000
50981	GCSOHSC-7047-M2-16	PA66 UL94V2	Natural	1.2	3.8	2.0	16.0	M2	1000
50982	GCSOHSC-7047-M2-20	PA66 UL94V2	Natural	1.2	3.8	2.0	20.0	M2	1000
50983	GCSOHSC-7047-M2-25	PA66 UL94V2	Natural	1.2	3.8	2.0	25.0	M2	1000
50984	GCSOHSC-7047-M2.5-5	PA66 UL94V2	Natural	1.5	4.7	3.0	5.0	M2.5	1000
50985	GCSOHSC-7047-M2.5-6	PA66 UL94V2	Natural	1.5	4.7	3.0	6.0	M2.5	1000
50986	GCSOHSC-7047-M2.5-8	PA66 UL94V2	Natural	1.5	4.7	3.0	8.0	M2.5	1000
50987	GCSOHSC-7047-M2.5-10	PA66 UL94V2	Natural	1.5	4.7	3.0	10.0	M2.5	1000
50988	GCSOHSC-7047-M2.5-12	PA66 UL94V2	Natural	1.5	4.7	3.0	12.0	M2.5	1000
50989	GCSOHSC-7047-M2.5-16	PA66 UL94V2	Natural	1.5	4.7	3.0	16.0	M2.5	1000
50990	GCSOHSC-7047-M2.5-20	PA66 UL94V2	Natural	1.5	4.7	3.0	20.0	M2.5	1000
50991	GCSOHSC-7047-M2.5-25	PA66 UL94V2	Natural	1.5	4.7	3.0	25.0	M2.5	1000
50254	GCSOHSC-7047-M3-5	PA66 UL94V2	Natural	1.65	5.5	3.4	5.0	M3	1000
50255	GCSOHSC-7047-M3-6	PA66 UL94V2	Natural	1.65	5.5	3.4	6.0	M3	1000
50256	GCSOHSC-7047-M3-8	PA66 UL94V2	Natural	1.65	5.5	3.4	8.0	M3	1000
50257	GCSOHSC-7047-M3-10	PA66 UL94V2	Natural	1.65	5.5	3.4	10.0	M3	1000
50258	GCSOHSC-7047-M3-12	PA66 UL94V2	Natural	1.65	5.5	3.4	12.0	M3	1000
50259	GCSOHSC-7047-M3-16	PA66 UL94V2	Natural	1.65	5.5	3.4	16.0	M3	1000
50260	GCSOHSC-7047-M3-20	PA66 UL94V2	Natural	1.65	5.5	3.4	20.0	M3	1000
50261	GCSOHSC-7047-M3-25	PA66 UL94V2	Natural	1.65	5.5	3.4	25.0	M3	1000
50262	GCSOHSC-7047-M3-30	PA66 UL94V2	Natural	1.65	5.5	3.4	30.0	M3	1000
50263	GCSOHSC-7047-M3-42	PA66 UL94V2	Natural	1.65	5.5	3.4	42.0	M3	1000
50292	GCSOHSC-7047-M4-6	PA66 UL94V2	Natural	2.7	8.4	5.2	6.0	M4	1000
50293	GCSOHSC-7047-M4-8	PA66 UL94V2	Natural	2.7	8.4	5.2	8.0	M4	1000
50294	GCSOHSC-7047-M4-10	PA66 UL94V2	Natural	2.7	8.4	5.2	10.0	M4	1000
50295	GCSOHSC-7047-M4-12	PA66 UL94V2	Natural	2.7	8.4	5.2	12.0	M4	1000
50296	GCSOHSC-7047-M4-15	PA66 UL94V2	Natural	2.7	8.4	5.2	15.0	M4	1000
50297	GCSOHSC-7047-M4-16	PA66 UL94V2	Natural	2.7	8.4	5.2	16.0	M4	1000
50298	GCSOHSC-7047-M4-20	PA66 UL94V2	Natural	2.7	8.4	5.2	20.0	M4	1000
50299	GCSOHSC-7047-M4-25	PA66 UL94V2	Natural	2.7	8.4	5.2	25.0	M4	1000
50300	GCSOHSC-7047-M4-30	PA66 UL94V2	Natural	2.7	8.4	5.2	30.0	M4	1000
50301	GCSOHSC-7047-M4-35	PA66 UL94V2	Natural	2.7	8.4	5.2	35.0	M4	1000
50655	GCSOHSC-7047-M5-6	PA66 UL94V2	Natural	2.7	9.0	5.4	6.0	M5	1000
50334	GCSOHSC-7047-M5-7	PA66 UL94V2	Natural	2.7	9.0	5.4	7.0	M5	1000
50335	GCSOHSC-7047-M5-8	PA66 UL94V2	Natural	2.7	9.0	5.4	8.0	M5	1000
50336	GCSOHSC-7047-M5-10	PA66 UL94V2	Natural	2.7	9.0	5.4	10.0	M5	1000
50337	GCSOHSC-7047-M5-12	PA66 UL94V2	Natural	2.7	9.0	5.4	12.0	M5	1000
50338	GCSOHSC-7047-M5-15	PA66 UL94V2	Natural	2.7	9.0	5.4	15.0	M5	1000
50339	GCSOHSC-7047-M5-16	PA66 UL94V2	Natural	2.7	9.0	5.4	16.0	M5	1000
50340	GCSOHSC-7047-M5-18	PA66 UL94V2	Natural	2.7	9.0	5.4	18.0	M5	1000
50341	GCSOHSC-7047-M5-20	PA66 UL94V2	Natural	2.7	9.0	5.4	20.0	M5	1000

Material: PA66 UL94V2 (GMS-01)



sales@sucatec.com



www.sucatec.com

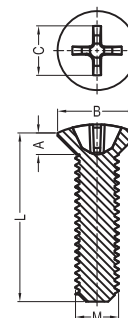
SCREWS AND NUTS

Raised Crossed Countersunk Screws

GCSOHSC-7047



GCSOHSC-7047



Sizes in mm

P/N.	Article No.	Material	Color	A	B	C	L	Thread M	Packing Unit
50342	GCSOHSC-7047-M5-25	PA66 UL94V2	Natural	2.7	9.0	5.4	25.0	M5	1000
50343	GCSOHSC-7047-M5-30	PA66 UL94V2	Natural	2.7	9.0	5.4	30.0	M5	1000
50344	GCSOHSC-7047-M5-35	PA66 UL94V2	Natural	2.7	9.0	5.4	35.0	M5	1000
50345	GCSOHSC-7047-M5-40	PA66 UL94V2	Natural	2.7	9.0	5.4	40.0	M5	1000
50378	GCSOHSC-7047-M6-8	PA66 UL94V2	Natural	3.3	11.0	7.3	8.0	M6	1000
50379	GCSOHSC-7047-M6-10	PA66 UL94V2	Natural	3.3	11.0	7.3	10.0	M6	1000
50380	GCSOHSC-7047-M6-12	PA66 UL94V2	Natural	3.3	11.0	7.3	12.0	M6	1000
50381	GCSOHSC-7047-M6-15	PA66 UL94V2	Natural	3.3	11.0	7.3	15.0	M6	1000
50382	GCSOHSC-7047-M6-16	PA66 UL94V2	Natural	3.3	11.0	7.3	16.0	M6	1000
50383	GCSOHSC-7047-M6-20	PA66 UL94V2	Natural	3.3	11.0	7.3	20.0	M6	1000
50384	GCSOHSC-7047-M6-22	PA66 UL94V2	Natural	3.3	11.0	7.3	22.0	M6	1000
50385	GCSOHSC-7047-M6-25	PA66 UL94V2	Natural	3.3	11.0	7.3	25.0	M6	1000
50386	GCSOHSC-7047-M6-30	PA66 UL94V2	Natural	3.3	11.0	7.3	30.0	M6	1000
50387	GCSOHSC-7047-M6-40	PA66 UL94V2	Natural	3.3	11.0	7.3	40.0	M6	1000
50388	GCSOHSC-7047-M6-50	PA66 UL94V2	Natural	3.3	11.0	7.3	50.0	M6	1000
50389	GCSOHSC-7047-M6-60	PA66 UL94V2	Natural	3.3	11.0	7.3	60.0	M6	1000

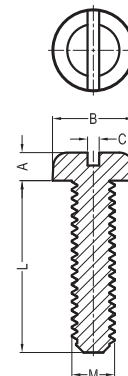
Material: PA66 UL94V2 (GMS-01)

Slotted Pan Head Screws

GPHS-S-1580



GPHS-S-1580



Sizes in mm

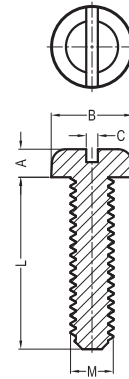
P/N.	Article No.	Cross-Ref.	Material	Color	A	B	C	L	Thread M	Packing Unit
50010	GPHS-S-1580-M2-4	NSE-1580-M2-4	PA66 UL94V2	Natural	1.3	3.8	0.6	4.0	M2	1000
50011	GPHS-S-1580-M2-5	NSE-1580-M2-5	PA66 UL94V2	Natural	1.3	3.8	0.6	5.0	M2	1000
50012	GPHS-S-1580-M2-6	NSE-1580-M2-6	PA66 UL94V2	Natural	1.3	3.8	0.6	6.0	M2	1000
50013	GPHS-S-1580-M2-8	NSE-1580-M2-8	PA66 UL94V2	Natural	1.3	3.8	0.6	8.0	M2	1000
50014	GPHS-S-1580-M2-10	NSE-1580-M2-10	PA66 UL94V2	Natural	1.3	3.8	0.6	10.0	M2	1000
50015	GPHS-S-1580-M2-12	NSE-1580-M2-12	PA66 UL94V2	Natural	1.3	3.8	0.6	12.0	M2	1000
50016	GPHS-S-1580-M2-16	NSE-1580-M2-16	PA66 UL94V2	Natural	1.3	3.8	0.6	16.0	M2	1000
50017	GPHS-S-1580-M2-20	NSE-1580-M2-20	PA66 UL94V2	Natural	1.3	3.8	0.6	20.0	M2	1000
50018	GPHS-S-1580-M2-25	NSE-1580-M2-25	PA66 UL94V2	Natural	1.3	3.8	0.6	25.0	M2	1000
50550	GPHS-S-1580-M2.5-4	NSE-1580-M2.5-4	PA66 UL94V2	Natural	1.5	5.0	0.7	4.0	M2.5	1000
50036	GPHS-S-1580-M2.5-4.5	NSE-1580-M2.5-4.5	PA66 UL94V2	Natural	1.5	5.0	0.7	4.5	M2.5	1000
50552	GPHS-S-1580-M2.5-5	NSE-1580-M2.5-5	PA66 UL94V2	Natural	1.5	5.0	0.7	5.0	M2.5	1000
50037	GPHS-S-1580-M2.5-6	NSE-1580-M2.5-6	PA66 UL94V2	Natural	1.5	5.0	0.7	6.0	M2.5	1000

Material: PA66 UL94V2 (GMS-01)

Slotted Pan Head Screws GPHS-S-1580



GPHS-S-1580



Sizes in mm

<u>P/N.</u>	<u>Article No.</u>	<u>Cross-Ref.</u>	<u>Material</u>	<u>Color</u>	<u>A</u>	<u>B</u>	<u>C</u>	<u>L</u>	<u>Thread M</u>	<u>Packing Unit</u>
50038	GPHS-S-1580-M2.5-8	NSE-1580-M2.5-8	PA66 UL94V2	Natural	1.5	5.0	0.7	8.0	M2.5	1000
50039	GPHS-S-1580-M2.5-10	NSE-1580-M2.5-10	PA66 UL94V2	Natural	1.5	5.0	0.7	10.0	M2.5	1000
50040	GPHS-S-1580-M2.5-12	NSE-1580-M2.5-12	PA66 UL94V2	Natural	1.5	5.0	0.7	12.0	M2.5	1000
50041	GPHS-S-1580-M2.5-16	NSE-1580-M2.5-16	PA66 UL94V2	Natural	1.5	5.0	0.7	16.0	M2.5	1000
50042	GPHS-S-1580-M2.5-20	NSE-1580-M2.5-20	PA66 UL94V2	Natural	1.5	5.0	0.7	20.0	M2.5	1000
50043	GPHS-S-1580-M2.5-25	NSE-1580-M2.5-25	PA66 UL94V2	Natural	1.5	5.0	0.7	25.0	M2.5	1000
50064	GPHS-S-1580-M3-4	NSE-1580-M3-4	PA66 UL94V2	Natural	1.7	5.5	0.9	4.0	M3	1000
50065	GPHS-S-1580-M3-5	NSE-1580-M3-5	PA66 UL94V2	Natural	1.7	5.5	0.9	5.0	M3	1000
50066	GPHS-S-1580-M3-6	NSE-1580-M3-6	PA66 UL94V2	Natural	1.7	5.5	0.9	6.0	M3	1000
50067	GPHS-S-1580-M3-8	NSE-1580-M3-8	PA66 UL94V2	Natural	1.7	5.5	0.9	8.0	M3	1000
50068	GPHS-S-1580-M3-10	NSE-1580-M3-10	PA66 UL94V2	Natural	1.7	5.5	0.9	10.0	M3	1000
50069	GPHS-S-1580-M3-12	NSE-1580-M3-12	PA66 UL94V2	Natural	1.7	5.5	0.9	12.0	M3	1000
50070	GPHS-S-1580-M3-16	NSE-1580-M3-16	PA66 UL94V2	Natural	1.7	5.5	0.9	16.0	M3	1000
50071	GPHS-S-1580-M3-20	NSE-1580-M3-20	PA66 UL94V2	Natural	1.7	5.5	0.9	20.0	M3	1000
50072	GPHS-S-1580-M3-25	NSE-1580-M3-25	PA66 UL94V2	Natural	1.7	5.5	0.9	25.0	M3	1000
50073	GPHS-S-1580-M3-30	NSE-1580-M3-30	PA66 UL94V2	Natural	1.7	5.5	0.9	30.0	M3	1000
50074	GPHS-S-1580-M3-35	NSE-1580-M3-35	PA66 UL94V2	Natural	1.7	5.5	0.9	35.0	M3	1000
50075	GPHS-S-1580-M3-40	NSE-1580-M3-40	PA66 UL94V2	Natural	1.7	5.5	0.9	40.0	M3	1000
50517	GPHS-S-1580-M4-4	NSE-1580-M4-4	PA66 UL94V2	Natural	2.4	7.8	1.3	4.0	M4	1000
50109	GPHS-S-1580-M4-6	NSE-1580-M4-6	PA66 UL94V2	Natural	2.4	7.8	1.3	6.0	M4	1000
50110	GPHS-S-1580-M4-8	NSE-1580-M4-8	PA66 UL94V2	Natural	2.4	7.8	1.3	8.0	M4	1000
50111	GPHS-S-1580-M4-10	NSE-1580-M4-10	PA66 UL94V2	Natural	2.4	7.8	1.3	10.0	M4	1000
50112	GPHS-S-1580-M4-12	NSE-1580-M4-12	PA66 UL94V2	Natural	2.4	7.8	1.3	12.0	M4	1000
50555	GPHS-S-1580-M4-15	NSE-1580-M4-15	PA66 UL94V2	Natural	2.4	7.8	1.3	15.0	M4	1000
50113	GPHS-S-1580-M4-16	NSE-1580-M4-16	PA66 UL94V2	Natural	2.4	7.8	1.3	16.0	M4	1000
50114	GPHS-S-1580-M4-20	NSE-1580-M4-20	PA66 UL94V2	Natural	2.4	7.8	1.3	20.0	M4	1000
50115	GPHS-S-1580-M4-25	NSE-1580-M4-25	PA66 UL94V2	Natural	2.4	7.8	1.3	25.0	M4	1000
50116	GPHS-S-1580-M4-30	NSE-1580-M4-30	PA66 UL94V2	Natural	2.4	7.8	1.3	30.0	M4	1000
50117	GPHS-S-1580-M4-40	NSE-1580-M4-40	PA66 UL94V2	Natural	2.4	7.8	1.3	40.0	M4	1000
50146	GPHS-S-1580-M5-6	NSE-1580-M5-6	PA66 UL94V2	Natural	3.0	9.4	1.3	6.0	M5	1000
50147	GPHS-S-1580-M5-8	NSE-1580-M5-8	PA66 UL94V2	Natural	3.0	9.4	1.3	8.0	M5	1000
50148	GPHS-S-1580-M5-10	NSE-1580-M5-10	PA66 UL94V2	Natural	3.0	9.4	1.3	10.0	M5	1000
50149	GPHS-S-1580-M5-12	NSE-1580-M5-12	PA66 UL94V2	Natural	3.0	9.4	1.3	12.0	M5	1000
50150	GPHS-S-1580-M5-16	NSE-1580-M5-16	PA66 UL94V2	Natural	3.0	9.4	1.3	16.0	M5	1000
50151	GPHS-S-1580-M5-20	NSE-1580-M5-20	PA66 UL94V2	Natural	3.0	9.4	1.3	20.0	M5	1000
50152	GPHS-S-1580-M5-25	NSE-1580-M5-25	PA66 UL94V2	Natural	3.0	9.4	1.3	25.0	M5	1000
50153	GPHS-S-1580-M5-30	NSE-1580-M5-30	PA66 UL94V2	Natural	3.0	9.4	1.3	30.0	M5	1000
50154	GPHS-S-1580-M5-40	NSE-1580-M5-40	PA66 UL94V2	Natural	3.0	9.4	1.3	40.0	M5	1000
50155	GPHS-S-1580-M5-50	NSE-1580-M5-50	PA66 UL94V2	Natural	3.0	9.4	1.3	50.0	M5	1000
50189	GPHS-S-1580-M6-5	NSE-1580-M6-5	PA66 UL94V2	Natural	3.5	11.8	1.7	5.0	M6	1000
50190	GPHS-S-1580-M6-6	NSE-1580-M6-6	PA66 UL94V2	Natural	3.5	11.8	1.7	6.0	M6	1000
50191	GPHS-S-1580-M6-6.5	NSE-1580-M6-6.5	PA66 UL94V2	Natural	3.5	11.8	1.7	6.5	M6	1000
50192	GPHS-S-1580-M6-8	NSE-1580-M6-8	PA66 UL94V2	Natural	3.5	11.8	1.7	8.0	M6	1000
50193	GPHS-S-1580-M6-10	NSE-1580-M6-10	PA66 UL94V2	Natural	3.5	11.8	1.7	10.0	M6	1000
50194	GPHS-S-1580-M6-12	NSE-1580-M6-12	PA66 UL94V2	Natural	3.5	11.8	1.7	12.0	M6	1000
50195	GPHS-S-1580-M6-16	NSE-1580-M6-16	PA66 UL94V2	Natural	3.5	11.8	1.7	16.0	M6	1000
50196	GPHS-S-1580-M6-20	NSE-1580-M6-20	PA66 UL94V2	Natural	3.5	11.8	1.7	20.0	M6	1000

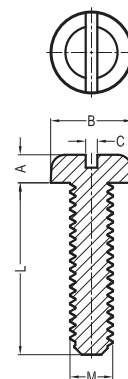
Material: PA66 UL94V2 (GMS-01)



Slotted Pan Head Screws GPHS-S-1580



GPHS-S-1580



Sizes in mm

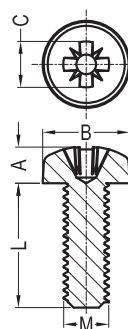
P/N.	Article No.	Cross-Ref.	Material	Color	A	B	C	L	Thread M	Packing Unit
50558	GPHS-S-1580-M6-22	NSE-1580-M6-22	PA66 UL94V2	Natural	3.5	11.8	1.7	22.0	M6	1000
50197	GPHS-S-1580-M6-25	NSE-1580-M6-25	PA66 UL94V2	Natural	3.5	11.8	1.7	25.0	M6	1000
50198	GPHS-S-1580-M6-30	NSE-1580-M6-30	PA66 UL94V2	Natural	3.5	11.8	1.7	30.0	M6	1000
50199	GPHS-S-1580-M6-40	NSE-1580-M6-40	PA66 UL94V2	Natural	3.5	11.8	1.7	40.0	M6	1000
50200	GPHS-S-1580-M6-50	NSE-1580-M6-50	PA66 UL94V2	Natural	3.5	11.8	1.7	50.0	M6	1000
50201	GPHS-S-1580-M6-60	NSE-1580-M6-60	PA66 UL94V2	Natural	3.5	11.8	1.7	60.0	M6	1000
50715	GPHS-S-1580-M8-8	NSE-1580-M8-8	PA66 UL94V2	Natural	4.8	15.8	2.2	8.0	M8	1000
50576	GPHS-S-1580-M8-10	NSE-1580-M8-10	PA66 UL94V2	Natural	4.8	15.8	2.2	10.0	M8	1000
50577	GPHS-S-1580-M8-12	NSE-1580-M8-12	PA66 UL94V2	Natural	4.8	15.8	2.2	12.0	M8	1000
50578	GPHS-S-1580-M8-16	NSE-1580-M8-16	PA66 UL94V2	Natural	4.8	15.8	2.2	16.0	M8	1000
50579	GPHS-S-1580-M8-20	NSE-1580-M8-20	PA66 UL94V2	Natural	4.8	15.8	2.2	20.0	M8	1000
50580	GPHS-S-1580-M8-25	NSE-1580-M8-25	PA66 UL94V2	Natural	4.8	15.8	2.2	25.0	M8	1000
50581	GPHS-S-1580-M8-30	NSE-1580-M8-30	PA66 UL94V2	Natural	4.8	15.8	2.2	30.0	M8	1000
50582	GPHS-S-1580-M8-35	NSE-1580-M8-35	PA66 UL94V2	Natural	4.8	15.8	2.2	35.0	M8	1000
50583	GPHS-S-1580-M8-40	NSE-1580-M8-40	PA66 UL94V2	Natural	4.8	15.8	2.2	40.0	M8	1000
50584	GPHS-S-1580-M8-45	NSE-1580-M8-45	PA66 UL94V2	Natural	4.8	15.8	2.2	45.0	M8	1000
50585	GPHS-S-1580-M8-50	NSE-1580-M8-50	PA66 UL94V2	Natural	4.8	15.8	2.2	50.0	M8	1000

Material: PA66 UL94V2 (GMS-01)

Cross Recessed Oval Head Screw GCHROHS-34812



GCHROHS-34812



Sizes in mm

P/N.	Article No.	Cross-Ref.	Material	Color	A	B	C	L	Thread	Packing Unit
50088	GCHROHS-34812-M3-4	NSE-34812-M3-4	PA66 UL94V2	Natural	2.3	5.6	2.8	4.0	M3	1000
50089	GCHROHS-34812-M3-5	NSE-34812-M3-5	PA66 UL94V2	Natural	2.3	5.6	2.8	5.0	M3	1000
50090	GCHROHS-34812-M3-6	NSE-34812-M3-6	PA66 UL94V2	Natural	2.3	5.6	2.8	6.0	M3	1000
50091	GCHROHS-34812-M3-8	NSE-34812-M3-8	PA66 UL94V2	Natural	2.3	5.6	2.8	8.0	M3	1000
50092	GCHROHS-34812-M3-10	NSE-34812-M3-10	PA66 UL94V2	Natural	2.3	5.6	2.8	10.0	M3	1000
50093	GCHROHS-34812-M3-12	NSE-34812-M3-12	PA66 UL94V2	Natural	2.3	5.6	2.8	12.0	M3	1000
50094	GCHROHS-34812-M3-16	NSE-34812-M3-16	PA66 UL94V2	Natural	2.3	5.6	2.8	16.0	M3	1000
50095	GCHROHS-34812-M3-20	NSE-34812-M3-20	PA66 UL94V2	Natural	2.3	5.6	2.8	20.0	M3	1000
50096	GCHROHS-34812-M3-25	NSE-34812-M3-25	PA66 UL94V2	Natural	2.3	5.6	2.8	25.0	M3	1000
50097	GCHROHS-34812-M3-30	NSE-34812-M3-30	PA66 UL94V2	Natural	2.3	5.6	2.8	30.0	M3	1000
50098	GCHROHS-34812-M3-35	NSE-34812-M3-35	PA66 UL94V2	Natural	2.3	5.6	2.8	35.0	M3	1000

Material: PA66 UL94V2 (GMS-01)

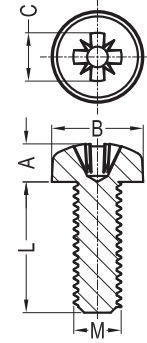
SCREWS AND NUTS

Cross Recessed Oval Head Screw GCHROHS-34812



Sizes in mm

GCHROHS-34812



P/N.	Article No.	Cross-Ref.	Material	Color	A	B	C	L	Thread	Packing Unit
50099	GCHROHS-34812-M3-40	NSE-34812-M3-40	PA66 UL94V2	Natural	2.3	5.6	2.8	40.0	M3	1000
50515	GCHROHS-34812-M4-4	NSE-34812-M4-4	PA66 UL94V2	Natural	3.1	8.0	4.3	4.0	M4	1000
50127	GCHROHS-34812-M4-6	NSE-34812-M4-6	PA66 UL94V2	Natural	3.1	8.0	4.3	6.0	M4	1000
50128	GCHROHS-34812-M4-8	NSE-34812-M4-8	PA66 UL94V2	Natural	3.1	8.0	4.3	8.0	M4	1000
50129	GCHROHS-34812-M4-10	NSE-34812-M4-10	PA66 UL94V2	Natural	3.1	8.0	4.3	10.0	M4	1000
50130	GCHROHS-34812-M4-12	NSE-34812-M4-12	PA66 UL94V2	Natural	3.1	8.0	4.3	12.0	M4	1000
50556	GCHROHS-34812-M4-15	NSE-34812-M4-15	PA66 UL94V2	Natural	3.1	8.0	4.3	15.0	M4	1000
50131	GCHROHS-34812-M4-16	NSE-34812-M4-16	PA66 UL94V2	Natural	3.1	8.0	4.3	16.0	M4	1000
50132	GCHROHS-34812-M4-20	NSE-34812-M4-20	PA66 UL94V2	Natural	3.1	8.0	4.3	20.0	M4	1000
50133	GCHROHS-34812-M4-25	NSE-34812-M4-25	PA66 UL94V2	Natural	3.1	8.0	4.3	25.0	M4	1000
50134	GCHROHS-34812-M4-30	NSE-34812-M4-30	PA66 UL94V2	Natural	3.1	8.0	4.3	30.0	M4	1000
50135	GCHROHS-34812-M4-40	NSE-34812-M4-40	PA66 UL94V2	Natural	3.1	8.0	4.3	40.0	M4	1000
50166	GCHROHS-34812-M5-6	NSE-34812-M5-6	PA66 UL94V2	Natural	3.7	9.5	4.7	6.0	M5	1000
50167	GCHROHS-34812-M5-8	NSE-34812-M5-8	PA66 UL94V2	Natural	3.7	9.5	4.7	8.0	M5	1000
50168	GCHROHS-34812-M5-10	NSE-34812-M5-10	PA66 UL94V2	Natural	3.7	9.5	4.7	10.0	M5	1000
50169	GCHROHS-34812-M5-12	NSE-34812-M5-12	PA66 UL94V2	Natural	3.7	9.5	4.7	12.0	M5	1000
50170	GCHROHS-34812-M5-16	NSE-34812-M5-16	PA66 UL94V2	Natural	3.7	9.5	4.7	16.0	M5	1000
50171	GCHROHS-34812-M5-20	NSE-34812-M5-20	PA66 UL94V2	Natural	3.7	9.5	4.7	20.0	M5	1000
50172	GCHROHS-34812-M5-25	NSE-34812-M5-25	PA66 UL94V2	Natural	3.7	9.5	4.7	25.0	M5	1000
50173	GCHROHS-34812-M5-30	NSE-34812-M5-30	PA66 UL94V2	Natural	3.7	9.5	4.7	30.0	M5	1000
50174	GCHROHS-34812-M5-40	NSE-34812-M5-40	PA66 UL94V2	Natural	3.7	9.5	4.7	40.0	M5	1000
50175	GCHROHS-34812-M5-50	NSE-34812-M5-50	PA66 UL94V2	Natural	3.7	9.5	4.7	50.0	M5	1000
50215	GCHROHS-34812-M6-5	NSE-34812-M6-5	PA66 UL94V2	Natural	4.6	12.0	6.7	5.0	M6	1000
50216	GCHROHS-34812-M6-6	NSE-34812-M6-6	PA66 UL94V2	Natural	4.6	12.0	6.7	6.0	M6	1000
50217	GCHROHS-34812-M6-6.5	NSE-34812-M6-6.5	PA66 UL94V2	Natural	4.6	12.0	6.7	6.5	M6	1000
50218	GCHROHS-34812-M6-8	NSE-34812-M6-8	PA66 UL94V2	Natural	4.6	12.0	6.7	8.0	M6	1000
50219	GCHROHS-34812-M6-10	NSE-34812-M6-10	PA66 UL94V2	Natural	4.6	12.0	6.7	10.0	M6	1000
50220	GCHROHS-34812-M6-12	NSE-34812-M6-12	PA66 UL94V2	Natural	4.6	12.0	6.7	12.0	M6	1000
50221	GCHROHS-34812-M6-16	NSE-34812-M6-16	PA66 UL94V2	Natural	4.6	12.0	6.7	16.0	M6	1000
50222	GCHROHS-34812-M6-20	NSE-34812-M6-20	PA66 UL94V2	Natural	4.6	12.0	6.7	20.0	M6	1000
50559	GCHROHS-34812-M6-22	NSE-34812-M6-22	PA66 UL94V2	Natural	4.6	12.0	6.7	22.0	M6	1000
50223	GCHROHS-34812-M6-25	NSE-34812-M6-25	PA66 UL94V2	Natural	4.6	12.0	6.7	25.0	M6	1000
50224	GCHROHS-34812-M6-30	NSE-34812-M6-30	PA66 UL94V2	Natural	4.6	12.0	6.7	30.0	M6	1000
50225	GCHROHS-34812-M6-40	NSE-34812-M6-40	PA66 UL94V2	Natural	4.6	12.0	6.7	40.0	M6	1000
50226	GCHROHS-34812-M6-50	NSE-34812-M6-50	PA66 UL94V2	Natural	4.6	12.0	6.7	50.0	M6	1000
50227	GCHROHS-34812-M6-60	NSE-34812-M6-60	PA66 UL94V2	Natural	4.6	12.0	6.7	60.0	M6	1000
50716	GCHROHS-34812-M8-8	NSE-34812-M8-8	PA66 UL94V2	Natural	6.0	15.8	8.8	8.0	M8	1000
50641	GCHROHS-34812-M8-10	NSE-34812-M8-10	PA66 UL94V2	Natural	6.0	15.8	8.8	10.0	M8	1000
50642	GCHROHS-34812-M8-12	NSE-34812-M8-12	PA66 UL94V2	Natural	6.0	15.8	8.8	12.0	M8	1000
50643	GCHROHS-34812-M8-16	NSE-34812-M8-16	PA66 UL94V2	Natural	6.0	15.8	8.8	16.0	M8	1000
50644	GCHROHS-34812-M8-20	NSE-34812-M8-20	PA66 UL94V2	Natural	6.0	15.8	8.8	20.0	M8	1000
50645	GCHROHS-34812-M8-25	NSE-34812-M8-25	PA66 UL94V2	Natural	6.0	15.8	8.8	25.0	M8	1000
50646	GCHROHS-34812-M8-30	NSE-34812-M8-30	PA66 UL94V2	Natural	6.0	15.8	8.8	30.0	M8	1000
50647	GCHROHS-34812-M8-35	NSE-34812-M8-35	PA66 UL94V2	Natural	6.0	15.8	8.8	35.0	M8	1000
50648	GCHROHS-34812-M8-40	NSE-34812-M8-40	PA66 UL94V2	Natural	6.0	15.8	8.8	40.0	M8	1000
50649	GCHROHS-34812-M8-45	NSE-34812-M8-45	PA66 UL94V2	Natural	6.0	15.8	8.8	45.0	M8	1000
50650	GCHROHS-34812-M8-50	NSE-34812-M8-50	PA66 UL94V2	Natural	6.0	15.8	8.8	50.0	M8	1000

Material: PA66 UL94V2 (GMS-01)



sales@sucatec.com

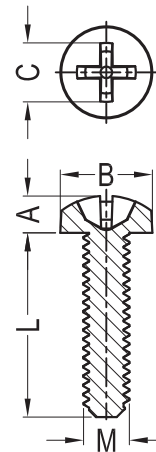


www.sucatec.com

Cross Recessed Nylon Metric Screw GCRS-7045



GCRS-7045



Sizes in mm

P/N.	Article No.	Cross-Ref.	Material	Color	A	B	C	L	Thread M	Packing Unit
50019	GCRS-7045-M2-4	-	PA66 UL94V2	Natural	1.6	4.0	1.9	4.0	M2	1000
50020	GCRS-7045-M2-5	-	PA66 UL94V2	Natural	1.6	4.0	1.9	5.0	M2	1000
50021	GCRS-7045-M2-6	-	PA66 UL94V2	Natural	1.6	4.0	1.9	6.0	M2	1000
50022	GCRS-7045-M2-8	-	PA66 UL94V2	Natural	1.6	4.0	1.9	8.0	M2	1000
50023	GCRS-7045-M2-10	-	PA66 UL94V2	Natural	1.6	4.0	1.9	10.0	M2	1000
50024	GCRS-7045-M2-12	-	PA66 UL94V2	Natural	1.6	4.0	1.9	12.0	M2	1000
50025	GCRS-7045-M2-16	-	PA66 UL94V2	Natural	1.6	4.0	1.9	16.0	M2	1000
50026	GCRS-7045-M2-20	-	PA66 UL94V2	Natural	1.6	4.0	1.9	20.0	M2	1000
50027	GCRS-7045-M2-25	-	PA66 UL94V2	Natural	1.6	4.0	1.9	25.0	M2	1000
50551	GCRS-7045-M2.5-4	-	PA66 UL94V2	Natural	2.1	5.0	2.7	4.0	M2.5	1000
50044	GCRS-7045-M2.5-4.5	-	PA66 UL94V2	Natural	2.1	5.0	2.7	4.5	M2.5	1000
50553	GCRS-7045-M2.5-5	-	PA66 UL94V2	Natural	2.1	5.0	2.7	5.0	M2.5	1000
50045	GCRS-7045-M2.5-6	-	PA66 UL94V2	Natural	2.1	5.0	2.7	6.0	M2.5	1000
50046	GCRS-7045-M2.5-8	-	PA66 UL94V2	Natural	2.1	5.0	2.7	8.0	M2.5	1000
50047	GCRS-7045-M2.5-10	-	PA66 UL94V2	Natural	2.1	5.0	2.7	10.0	M2.5	1000
50048	GCRS-7045-M2.5-12	-	PA66 UL94V2	Natural	2.1	5.0	2.7	12.0	M2.5	1000
50049	GCRS-7045-M2.5-16	-	PA66 UL94V2	Natural	2.1	5.0	2.7	16.0	M2.5	1000
50050	GCRS-7045-M2.5-20	-	PA66 UL94V2	Natural	2.1	5.0	2.7	20.0	M2.5	1000
50051	GCRS-7045-M2.5-25	-	PA66 UL94V2	Natural	2.1	5.0	2.7	25.0	M2.5	1000
50076	GCRS-7045-M3-4	-	PA66 UL94V2	Natural	2.4	5.6	3.0	4.0	M3	1000
50077	GCRS-7045-M3-5	-	PA66 UL94V2	Natural	2.4	5.6	3.0	5.0	M3	1000
50078	GCRS-7045-M3-6	NMS-306	PA66 UL94V2	Natural	2.4	5.6	3.0	6.0	M3	1000
50079	GCRS-7045-M3-8	NMS-308	PA66 UL94V2	Natural	2.4	5.6	3.0	8.0	M3	1000
50080	GCRS-7045-M3-10	NMS-310	PA66 UL94V2	Natural	2.4	5.6	3.0	10.0	M3	1000
50081	GCRS-7045-M3-12	NMS-312	PA66 UL94V2	Natural	2.4	5.6	3.0	12.0	M3	1000
50082	GCRS-7045-M3-16	-	PA66 UL94V2	Natural	2.4	5.6	3.0	16.0	M3	1000
50083	GCRS-7045-M3-20	-	PA66 UL94V2	Natural	2.4	5.6	3.0	20.0	M3	1000
50084	GCRS-7045-M3-25	-	PA66 UL94V2	Natural	2.4	5.6	3.0	25.0	M3	1000
50085	GCRS-7045-M3-30	-	PA66 UL94V2	Natural	2.4	5.6	3.0	30.0	M3	1000
50086	GCRS-7045-M3-35	-	PA66 UL94V2	Natural	2.4	5.6	3.0	35.0	M3	1000
50087	GCRS-7045-M3-40	-	PA66 UL94V2	Natural	2.4	5.6	3.0	40.0	M3	1000
50518	GCRS-7045-M4-4	-	PA66 UL94V2	Natural	3.1	8.0	4.4	4.0	M4	1000
50118	GCRS-7045-M4-6	NMS-406	PA66 UL94V2	Natural	3.1	8.0	4.4	6.0	M4	1000
50119	GCRS-7045-M4-8	NMS-408	PA66 UL94V2	Natural	3.1	8.0	4.4	8.0	M4	1000
50120	GCRS-7045-M4-10	NMS-410	PA66 UL94V2	Natural	3.1	8.0	4.4	10.0	M4	1000
50121	GCRS-7045-M4-12	NMS-412	PA66 UL94V2	Natural	3.1	8.0	4.4	12.0	M4	1000
50418	GCRS-7045-M4-15	-	PA66 UL94V2	Natural	3.1	8.0	4.4	15.0	M4	1000
50122	GCRS-7045-M4-16	NMS-416	PA66 UL94V2	Natural	3.1	8.0	4.4	16.0	M4	1000
50123	GCRS-7045-M4-20	-	PA66 UL94V2	Natural	3.1	8.0	4.4	20.0	M4	1000
50124	GCRS-7045-M4-25	-	PA66 UL94V2	Natural	3.1	8.0	4.4	25.0	M4	1000
50125	GCRS-7045-M4-30	-	PA66 UL94V2	Natural	3.1	8.0	4.4	30.0	M4	1000
50126	GCRS-7045-M4-40	-	PA66 UL94V2	Natural	3.1	8.0	4.4	40.0	M4	1000

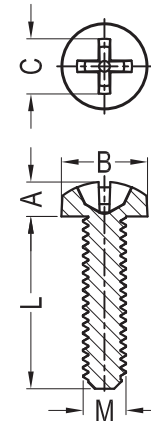
Material: PA66 UL94V2 (GMS-01)

SCREWS AND NUTS

Cross Recessed Nylon Metric Screw GCRS-7045



GCRS-7045



Sizes in mm

P/N.	Article No.	Cross-Ref.	Material	Color	A	B	C	L	Thread M	Packing Unit
50156	GCRS-7045-M5-6	-	PA66 UL94V2	Natural	3.7	9.5	4.9	6.0	M5	1000
50157	GCRS-7045-M5-8	-	PA66 UL94V2	Natural	3.7	9.5	4.9	8.0	M5	1000
50158	GCRS-7045-M5-10	-	PA66 UL94V2	Natural	3.7	9.5	4.9	10.0	M5	1000
50159	GCRS-7045-M5-12	-	PA66 UL94V2	Natural	3.7	9.5	4.9	12.0	M5	1000
50160	GCRS-7045-M5-16	-	PA66 UL94V2	Natural	3.7	9.5	4.9	16.0	M5	1000
50161	GCRS-7045-M5-20	-	PA66 UL94V2	Natural	3.7	9.5	4.9	20.0	M5	1000
50162	GCRS-7045-M5-25	-	PA66 UL94V2	Natural	3.7	9.5	4.9	25.0	M5	1000
50163	GCRS-7045-M5-30	-	PA66 UL94V2	Natural	3.7	9.5	4.9	30.0	M5	1000
50164	GCRS-7045-M5-40	-	PA66 UL94V2	Natural	3.7	9.5	4.9	40.0	M5	1000
50165	GCRS-7045-M5-50	-	PA66 UL94V2	Natural	3.7	9.5	4.9	50.0	M5	1000
50202	GCRS-7045-M6-5	-	PA66 UL94V2	Natural	4.6	12.0	6.9	5.0	M6	1000
50203	GCRS-7045-M6-6	-	PA66 UL94V2	Natural	4.6	12.0	6.9	6.0	M6	1000
50204	GCRS-7045-M6-6.5	-	PA66 UL94V2	Natural	4.6	12.0	6.9	6.5	M6	1000
50205	GCRS-7045-M6-8	-	PA66 UL94V2	Natural	4.6	12.0	6.9	8.0	M6	1000
50206	GCRS-7045-M6-10	-	PA66 UL94V2	Natural	4.6	12.0	6.9	10.0	M6	1000
50207	GCRS-7045-M6-12	-	PA66 UL94V2	Natural	4.6	12.0	6.9	12.0	M6	1000
50208	GCRS-7045-M6-16	-	PA66 UL94V2	Natural	4.6	12.0	6.9	16.0	M6	1000
50209	GCRS-7045-M6-20	-	PA66 UL94V2	Natural	4.6	12.0	6.9	20.0	M6	1000
50438	GCRS-7045-M6-22	-	PA66 UL94V2	Natural	4.6	12.0	6.9	22.0	M6	1000
50210	GCRS-7045-M6-25	-	PA66 UL94V2	Natural	4.6	12.0	6.9	25.0	M6	1000
50211	GCRS-7045-M6-30	-	PA66 UL94V2	Natural	4.6	12.0	6.9	30.0	M6	1000
50212	GCRS-7045-M6-40	-	PA66 UL94V2	Natural	4.6	12.0	6.9	40.0	M6	1000
50213	GCRS-7045-M6-50	-	PA66 UL94V2	Natural	4.6	12.0	6.9	50.0	M6	1000
50214	GCRS-7045-M6-60	-	PA66 UL94V2	Natural	4.6	12.0	6.9	60.0	M6	1000
50657	GCRS-7045-M8-8	-	PA66 UL94V2	Natural	5.8	16.0	9.0	8.0	M8	1000
50391	GCRS-7045-M8-10	-	PA66 UL94V2	Natural	5.8	16.0	9.0	10.0	M8	1000
50392	GCRS-7045-M8-12	-	PA66 UL94V2	Natural	5.8	16.0	9.0	12.0	M8	1000
50393	GCRS-7045-M8-16	-	PA66 UL94V2	Natural	5.8	16.0	9.0	16.0	M8	1000
50394	GCRS-7045-M8-20	-	PA66 UL94V2	Natural	5.8	16.0	9.0	20.0	M8	1000
50395	GCRS-7045-M8-25	-	PA66 UL94V2	Natural	5.8	16.0	9.0	25.0	M8	1000
50396	GCRS-7045-M8-30	-	PA66 UL94V2	Natural	5.8	16.0	9.0	30.0	M8	1000
50397	GCRS-7045-M8-35	-	PA66 UL94V2	Natural	5.8	16.0	9.0	35.0	M8	1000
50398	GCRS-7045-M8-40	-	PA66 UL94V2	Natural	5.8	16.0	9.0	40.0	M8	500
50399	GCRS-7045-M8-45	-	PA66 UL94V2	Natural	5.8	16.0	9.0	45.0	M8	500
50400	GCRS-7045-M8-50	-	PA66 UL94V2	Natural	5.8	16.0	9.0	50.0	M8	500
50402	GCRS-7045-M10-16	-	PA66 UL94V2	Natural	7.5	20.0	10.1	16.0	M10	500
50403	GCRS-7045-M10-20	-	PA66 UL94V2	Natural	7.5	20.0	10.1	20.0	M10	500
50404	GCRS-7045-M10-25	-	PA66 UL94V2	Natural	7.5	20.0	10.1	25.0	M10	500
50405	GCRS-7045-M10-30	-	PA66 UL94V2	Natural	7.5	20.0	10.1	30.0	M10	500

Material: PA66 UL94V2 (GMS-01)



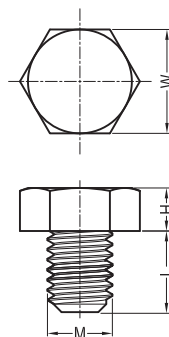
SCREWS AND NUTS

Hexagonal Head Screw

GHHS-4017



GHHS-4017



Sizes in mm

P/N.	Article No.	Cross-Ref.	Material	Color	H	W	L	Thread M	Packing Unit
50586	GHHS-4017-M2-4	-	PA66 UL94V2	Natural	1.4	4.0	4.0	M2	1000
50587	GHHS-4017-M2-5	-	PA66 UL94V2	Natural	1.4	4.0	5.0	M2	1000
50588	GHHS-4017-M2-6	-	PA66 UL94V2	Natural	1.4	4.0	6.0	M2	1000
50589	GHHS-4017-M2-8	-	PA66 UL94V2	Natural	1.4	4.0	8.0	M2	1000
50590	GHHS-4017-M2-10	-	PA66 UL94V2	Natural	1.4	4.0	10.0	M2	1000
50591	GHHS-4017-M2-12	-	PA66 UL94V2	Natural	1.4	4.0	12.0	M2	1000
50592	GHHS-4017-M2-16	-	PA66 UL94V2	Natural	1.4	4.0	16.0	M2	1000
50593	GHHS-4017-M2-20	-	PA66 UL94V2	Natural	1.4	4.0	20.0	M2	1000
50594	GHHS-4017-M2-25	-	PA66 UL94V2	Natural	1.4	4.0	25.0	M2	1000
50595	GHHS-4017-M2.5-4	-	PA66 UL94V2	Natural	1.7	5.0	4.0	M2.5	1000
50596	GHHS-4017-M2.5-4.5	-	PA66 UL94V2	Natural	1.7	5.0	4.5	M2.5	1000
50597	GHHS-4017-M2.5-5	-	PA66 UL94V2	Natural	1.7	5.0	5.0	M2.5	1000
50598	GHHS-4017-M2.5-6	-	PA66 UL94V2	Natural	1.7	5.0	6.0	M2.5	1000
50599	GHHS-4017-M2.5-8	-	PA66 UL94V2	Natural	1.7	5.0	8.0	M2.5	1000
50600	GHHS-4017-M2.5-10	-	PA66 UL94V2	Natural	1.7	5.0	10.0	M2.5	1000
50601	GHHS-4017-M2.5-12	-	PA66 UL94V2	Natural	1.7	5.0	12.0	M2.5	1000
50602	GHHS-4017-M2.5-16	-	PA66 UL94V2	Natural	1.7	5.0	16.0	M2.5	1000
50603	GHHS-4017-M2.5-20	-	PA66 UL94V2	Natural	1.7	5.0	20.0	M2.5	1000
50604	GHHS-4017-M2.5-25	-	PA66 UL94V2	Natural	1.7	5.0	25.0	M2.5	1000
50607	GHHS-4017-M3-6	079030600002	PA66 UL94V2	Natural	2.0	5.5	6.0	M3	1000
50608	GHHS-4017-M3-8	079030800002	PA66 UL94V2	Natural	2.0	5.5	8.0	M3	1000
50609	GHHS-4017-M3-10	079031000002	PA66 UL94V2	Natural	2.0	5.5	10.0	M3	1000
50610	GHHS-4017-M3-12	079031200002	PA66 UL94V2	Natural	2.0	5.5	12.0	M3	1000
50611	GHHS-4017-M3-16	079031600002	PA66 UL94V2	Natural	2.0	5.5	16.0	M3	1000
50612	GHHS-4017-M3-20	079032000002	PA66 UL94V2	Natural	2.0	5.5	20.0	M3	1000
50613	GHHS-4017-M3-25	079032500002	PA66 UL94V2	Natural	2.0	5.5	25.0	M3	1000
50614	GHHS-4017-M3-30	079033000002	PA66 UL94V2	Natural	2.0	5.5	30.0	M3	1000
50615	GHHS-4017-M3-35	-	PA66 UL94V2	Natural	2.0	5.5	35.0	M3	1000
50616	GHHS-4017-M3-40	-	PA66 UL94V2	Natural	2.0	5.5	40.0	M3	1000
50617	GHHS-4017-M4-4	-	PA66 UL94V2	Natural	2.8	7.0	4.0	M4	1000
50618	GHHS-4017-M4-6	079040600002	PA66 UL94V2	Natural	2.8	7.0	6.0	M4	1000
50619	GHHS-4017-M4-8	079040800002	PA66 UL94V2	Natural	2.8	7.0	8.0	M4	1000
50620	GHHS-4017-M4-10	079041000002	PA66 UL94V2	Natural	2.8	7.0	10.0	M4	1000
50621	GHHS-4017-M4-12	079041200002	PA66 UL94V2	Natural	2.8	7.0	12.0	M4	1000
50622	GHHS-4017-M4-16	079041600002	PA66 UL94V2	Natural	2.8	7.0	16.0	M4	1000
50623	GHHS-4017-M4-20	079042000002	PA66 UL94V2	Natural	2.8	7.0	20.0	M4	1000
50624	GHHS-4017-M4-25	079042500002	PA66 UL94V2	Natural	2.8	7.0	25.0	M4	1000
50625	GHHS-4017-M4-30	079043000002	PA66 UL94V2	Natural	2.8	7.0	30.0	M4	1000
50626	GHHS-4017-M4-35	079043500002	PA66 UL94V2	Natural	2.8	7.0	35.0	M4	1000
50627	GHHS-4017-M4-40	079044000002	PA66 UL94V2	Natural	2.8	7.0	40.0	M4	1000
50458	GHHS-4017-M5-6	079050600002	PA66 UL94V2	Natural	3.5	8.0	6.0	M5	1000
50524	GHHS-4017-M5-8	079050800002	PA66 UL94V2	Natural	3.5	8.0	8.0	M5	1000
50525	GHHS-4017-M5-10	079051000002	PA66 UL94V2	Natural	3.5	8.0	10.0	M5	1000
50526	GHHS-4017-M5-12	079051200002	PA66 UL94V2	Natural	3.5	8.0	12.0	M5	1000
50527	GHHS-4017-M5-16	079051600002	PA66 UL94V2	Natural	3.5	8.0	16.0	M5	1000
50528	GHHS-4017-M5-20	079052000002	PA66 UL94V2	Natural	3.5	8.0	20.0	M5	1000
50529	GHHS-4017-M5-25	079052500002	PA66 UL94V2	Natural	3.5	8.0	25.0	M5	1000
50534	GHHS-4017-M5-30	079053000002	PA66 UL94V2	Natural	3.5	8.0	30.0	M5	1000

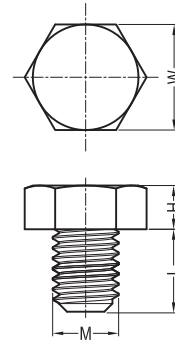
Material: PA66 UL94V2 (GMS-01)

SCREWS AND NUTS

Hexagonal Head Screw GHHS-4017



GHHS-4017



Sizes in mm

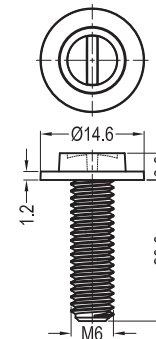
P/N.	Article No.	Cross-Ref.	Material	Color	H	W	L	Thread M	Packing Unit
50535	GHHS-4017-M5-40	079054000002	PA66 UL94V2	Natural	3.5	8.0	40.0	M5	1000
50651	GHHS-4017-M5-50	-	PA66 UL94V2	Natural	3.5	8.0	50.0	M5	1000
50628	GHHS-4017-M6-5	-	PA66 UL94V2	Natural	4.0	10.0	5.0	M6	1000
50629	GHHS-4017-M6-6	079060600002	PA66 UL94V2	Natural	4.0	10.0	6.0	M6	1000
50630	GHHS-4017-M6-6.5	-	PA66 UL94V2	Natural	4.0	10.0	6.5	M6	1000
50631	GHHS-4017-M6-8	079060800002	PA66 UL94V2	Natural	4.0	10.0	8.0	M6	1000
50632	GHHS-4017-M6-10	079061000002	PA66 UL94V2	Natural	4.0	10.0	10.0	M6	1000
50633	GHHS-4017-M6-12	079061200002	PA66 UL94V2	Natural	4.0	10.0	12.0	M6	1000
50530	GHHS-4017-M6-16	079061600002	PA66 UL94V2	Natural	4.0	10.0	16.0	M6	1000
50531	GHHS-4017-M6-20	079062000002	PA66 UL94V2	Natural	4.0	10.0	20.0	M6	1000
50532	GHHS-4017-M6-22	-	PA66 UL94V2	Natural	4.0	10.0	22.0	M6	1000
50533	GHHS-4017-M6-25	079062500002	PA66 UL94V2	Natural	4.0	10.0	25.0	M6	1000
50536	GHHS-4017-M6-30	079063000002	PA66 UL94V2	Natural	4.0	10.0	30.0	M6	1000
50537	GHHS-4017-M6-40	079064000002	PA66 UL94V2	Natural	4.0	10.0	40.0	M6	1000
50634	GHHS-4017-M6-50	079065000002	PA66 UL94V2	Natural	4.0	10.0	50.0	M6	1000
50635	GHHS-4017-M6-60	079066000002	PA66 UL94V2	Natural	4.0	10.0	60.0	M6	1000
50714	GHHS-4017-M8-8	-	PA66 UL94V2	Natural	5.3	13.0	8.0	M8	1000
50520	GHHS-4017-M8-10	079081000002	PA66 UL94V2	Natural	5.3	13.0	10.0	M8	1000
50521	GHHS-4017-M8-12	-	PA66 UL94V2	Natural	5.3	13.0	12.0	M8	1000
50522	GHHS-4017-M8-16	079081600002	PA66 UL94V2	Natural	5.3	13.0	16.0	M8	1000
50434	GHHS-4017-M8-20	079082000002	PA66 UL94V2	Natural	5.3	13.0	20.0	M8	1000
50523	GHHS-4017-M8-25	079082500002	PA66 UL94V2	Natural	5.3	13.0	25.0	M8	1000
50636	GHHS-4017-M8-30	079083000002	PA66 UL94V2	Natural	5.3	13.0	30.0	M8	1000
50637	GHHS-4017-M8-35	079083500002	PA66 UL94V2	Natural	5.3	13.0	35.0	M8	1000
50638	GHHS-4017-M8-40	079084000002	PA66 UL94V2	Natural	5.3	13.0	40.0	M8	500
50639	GHHS-4017-M8-45	-	PA66 UL94V2	Natural	5.3	13.0	45.0	M8	500
50640	GHHS-4017-M8-50	079085000002	PA66 UL94V2	Natural	5.3	13.0	50.0	M8	500

Material: PA66 UL94V2 (GMS-01)

Slotted KWIK Screw GM6*20



GM6*20



Sizes in mm

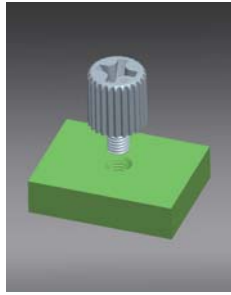
P/N.	Article No.	Material	Color	Thread M	Packing Unit
50460	GM6*20*OD14.6	PA66 UL94V2	Natural	M6	1000

Material: PA66 UL94V2 (GMS-01)

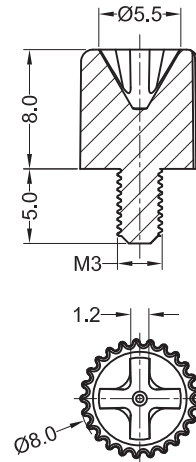


SCREWS AND NUTS

Knurled Head Thumb Screw GSCH-PH2



GSCH-PH2



Sizes in mm

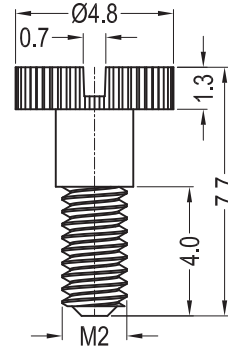
P/N.	Article No.	Material	Color	Thread M	Packing Unit
50927	GSCH-PH2-M3-5B	PA66 UL94V2	Black	M3	1000

Material: PA66 UL94V2 (GMS-65)

Slotted Knurled Screw GTSHS



GTSHS



Sizes in mm

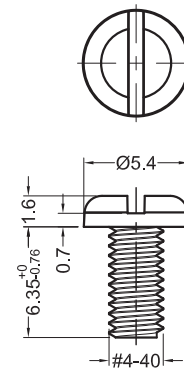
P/N.	Article No.	Material	Color	Thread M	Packing Unit
50437	GTSHS-M2-4-2	PA6+GF UL94HB	Natural	M2	1000

Material: PA6+GF UL94HB (GMS-12)

Slotted Pan Head Screws GPHS-S-440



GPHS-S-440



Sizes in mm

P/N.	Article No.	Material	Color	Thread M	Packing Unit
50910	GPHS-S-440-025	PA66 UL94V2	Natural	#4-40	1000

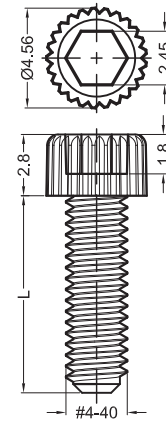
Material: PA66 UL94V2 (GMS-01)

SCREWS AND NUTS

Socket Head Screw G34044000



G34044000

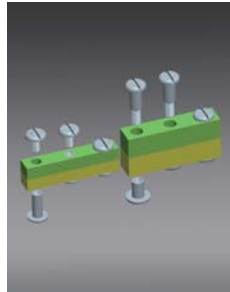


Sizes in mm

P/N.	Article No.	Material	Color	L	Thread M	Packing Unit
50406	G3404400014	PA66 UL94V2	Natural	3.57	#4-40	1000
50407	G3404400018	PA66 UL94V2	Natural	4.76	#4-40	1000
50408	G3404400025	PA66 UL94V2	Natural	6.35	#4-40	1000
50409	G3404400028	PA66 UL94V2	Natural	7.14	#4-40	1000
50410	G3404400031	PA66 UL94V2	Natural	7.94	#4-40	1000
50411	G3404400037	PA66 UL94V2	Natural	9.53	#4-40	1000
50412	G3404400043	PA66 UL94V2	Natural	11.11	#4-40	1000
50413	G3404400050	PA66 UL94V2	Natural	12.7	#4-40	1000
50414	G3404400056	PA66 UL94V2	Natural	14.29	#4-40	1000
50415	G3404400062	PA66 UL94V2	Natural	15.89	#4-40	1000
50416	G3404400068	PA66 UL94V2	Natural	17.46	#4-40	1000
50417	G3404400075	PA66 UL94V2	Natural	19.05	#4-40	1000

Material: PA66 UL94V2 (GMS-01)

Book Screw / Slotted Round Book Screw G081-082



G081

G082

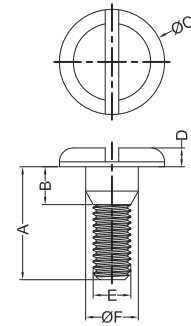
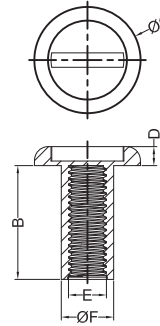


Fig.1

Fig.2

Sizes in mm

P/N.	Article No.	Cross-Ref.	Material	Color	A	B	C	D	E	F	FIG.	Packing Unit
50723	G081 0415 113 01	081041511301	PA66 UL94V2	White	15.0	-	12.0	2.2	M4	6.0	1	1000
50724	G081 0415 114 01	081041511401	PA66 UL94V2	Black	15.0	-	12.0	2.2	M4	6.0	1	1000
50725	G081 0510 113 01	081051011301	PA66 UL94V2	White	10.0	-	14.0	2.5	M5	7.0	1	1000
50726	G081 0510 114 01	081051011401	PA66 UL94V2	Black	10.0	-	14.0	2.5	M5	7.0	1	1000
50548	G082 0410 113 01	082041011301	PA66 UL94V2	White	10.0	-	12.0	2.5	M4	-	2	1000
50733	G082 0410 114 01	082041011401	PA66 UL94V2	Black	10.0	-	12.0	2.5	M4	-	2	1000
50706	G082 0510 113 01	082051011301	PA66 UL94V2	White	10.0	-	14.0	2.5	M5	-	2	1000
50707	G082 0510 114 01	082051011401	PA66 UL94V2	Black	10.0	-	14.0	2.5	M5	-	2	1000
50708	G082 0515 113 01	082051511301	PA66 UL94V2	White	15.0	5.0	14.0	2.5	M5	7.0	2	1000
50709	G082 0515 114 01	082051511401	PA66 UL94V2	Black	15.0	5.0	14.0	2.5	M5	7.0	2	1000
50710	G082 0520 113 01	082052011301	PA66 UL94V2	White	20.0	10.0	14.0	2.5	M5	7.0	2	1000
50711	G082 0520 114 01	082052011401	PA66 UL94V2	Black	20.0	10.0	14.0	2.5	M5	7.0	2	1000
50712	G082 0526 113 01	082052611301	PA66 UL94V2	White	25.0	15.0	14.0	2.5	M5	7.0	2	1000
50713	G082 0526 114 01	082052611401	PA66 UL94V2	Black	25.0	15.0	14.0	2.5	M5	7.0	2	1000

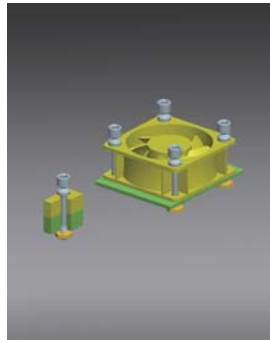
Material: PA66 UL94V2 (GMS-65)



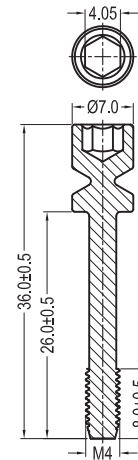
SCREWS AND NUTS

Security Screws

GP000321970



GP000321970



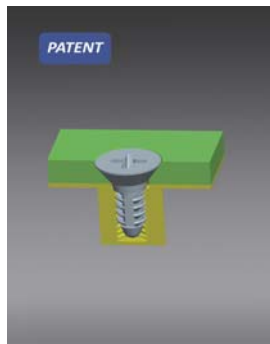
Sizes in mm

P/N.	Article No.	Material	Color	Packing Unit
50469	GP000321970	PA66 UL94V2	Natural	1000

Material: PA66 UL94V2 (GMS-01)

Push-In Screw GTS/GTS1/GTS2/GTS3

PATENT



GTS1

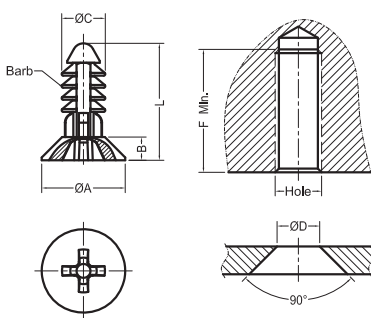


Fig.1

GTS2

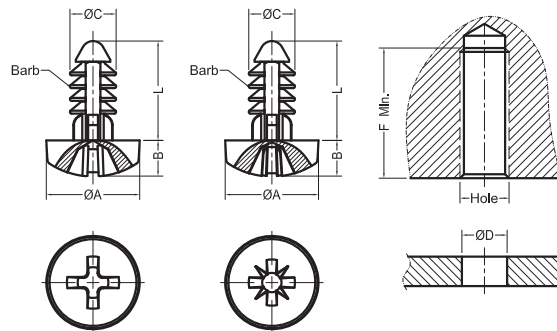


Fig.2

GTS3

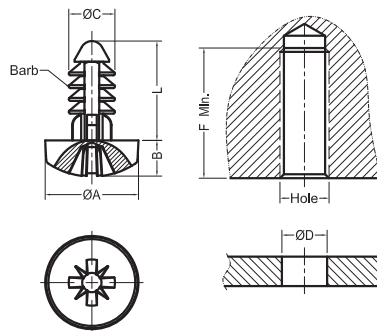


Fig.3

GTS

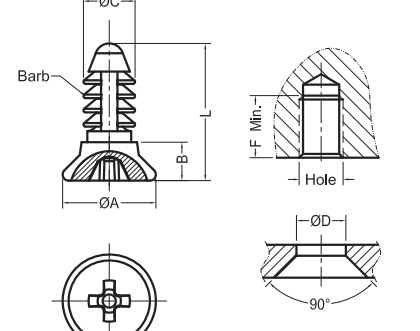


Fig.4

Sizes in mm

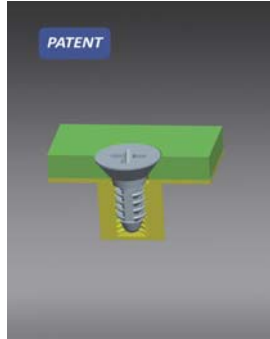
P/N.	Article No.	Material	Color	A	B	C	L	D	F	Hole	FIG.	Packing Unit
50682	GTS1-M3-8	PA66 UL94V2	Black	5.5	1.65	2.8	8.0	3.5	8.0	M3	1	1000
50683	GTS1-M3-10	PA66 UL94V2	Black	5.5	1.65	2.8	10.0	3.5	10.0	M3	1	1000
50684	GTS1-M3-12	PA66 UL94V2	Black	5.5	1.65	2.8	12.0	3.5	12.0	M3	1	1000
50890	GTS1-M3-14	PA66 UL94V2	Black	5.5	1.65	2.8	14.0	3.5	14.0	M3	1	1000
50689	GTS1-M4-10	PA66 UL94V2	Black	8.4	2.7	3.7	10.0	4.5	10.0	M4	1	1000
50690	GTS1-M4-12	PA66 UL94V2	Black	8.4	2.7	3.7	12.0	4.5	12.0	M4	1	1000
50674	GTS1-M4-14	PA66 UL94V2	Black	8.4	2.7	3.7	14.0	4.5	14.0	M4	1	1000
50835	GTS1-M4-16	PA66 UL94V2	Black	8.4	2.7	3.7	16.0	4.5	16.0	M4	1	1000

Material: GTS1/2/3: PA66 UL94V2 (GMS-65); GTS: PA66 UL94V2 (GMS-01)

SCREWS AND NUTS

Push-In Screw GTS/GTS1/GTS2/GTS3

PATENT



GTS1

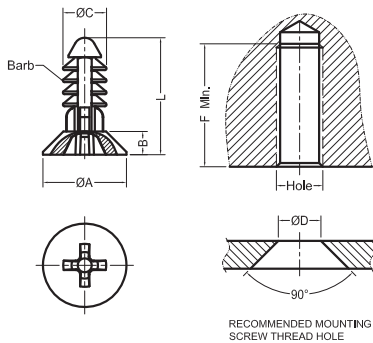


Fig.1

GTS2

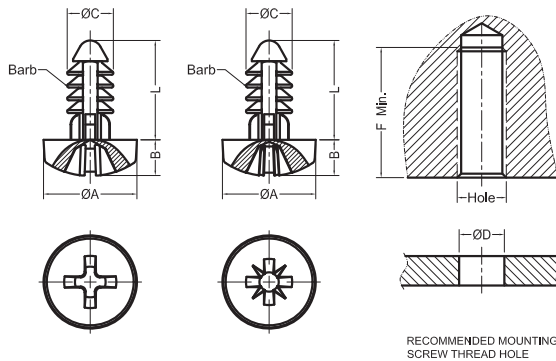


Fig.2

GTS3

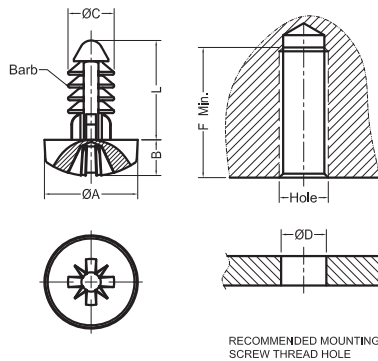


Fig.3

GTS

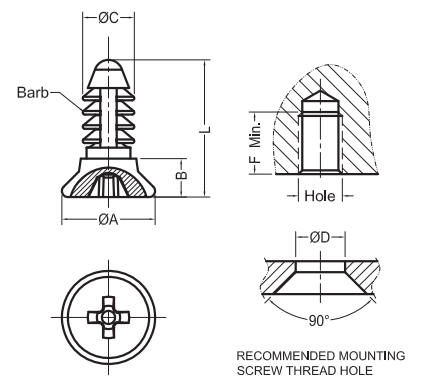


Fig.4

Sizes in mm

P/N.	Article No.	Material	Color	A	B	C	L	D	F	Hole	FIG.	Packing Unit
50892	GTS1-M4-20	PA66 UL94V2	Black	8.4	2.7	3.7	20.0	4.5	20.0	M4	1	1000
50694	GTS1-M5-12	PA66 UL94V2	Black	9.3	2.7	4.7	12.0	5.5	12.0	M5	1	1000
50894	GTS1-M5-14	PA66 UL94V2	Black	9.3	2.7	4.7	14.0	5.5	14.0	M5	1	1000
50839	GTS1-M5-16	PA66 UL94V2	Black	9.3	2.7	4.7	16.0	5.5	16.0	M5	1	1000
50841	GTS1-M5-20	PA66 UL94V2	Black	9.3	2.7	4.7	20.0	5.5	20.0	M5	1	1000
50896	GTS1-M6-14	PA66 UL94V2	Black	11.3	3.3	5.7	14.0	6.5	14.0	M6	1	1000
50845	GTS1-M6-16	PA66 UL94V2	Black	11.3	3.3	5.7	16.0	6.5	16.0	M6	1	1000
50847	GTS1-M6-20	PA66 UL94V2	Black	11.3	3.3	5.7	20.0	6.5	20.0	M6	1	1000
50898	GTS1-M6-25	PA66 UL94V2	Black	11.3	3.3	5.7	25.0	6.5	25.0	M6	1	1000
50677	GTS1-M8-20	PA66 UL94V2	Black	15.8	4.65	7.5	20.0	8.5	20.0	M8	1	1000
50871	GTS1-M8-25	PA66 UL94V2	Black	15.8	4.65	7.5	25.0	8.5	25.0	M8	1	1000
50873	GTS1-M8-30	PA66 UL94V2	Black	15.8	4.65	7.5	30.0	8.5	30.0	M8	1	1000
50900	GTS1-M8-35	PA66 UL94V2	Black	15.8	4.65	7.5	35.0	8.5	35.0	M8	1	1000
50685	GTS1-M3-8N	PA66 UL94V2	Natural	5.5	1.65	2.8	8.0	3.5	8.0	M3	1	1000
50686	GTS1-M3-10N	PA66 UL94V2	Natural	5.5	1.65	2.8	10.0	3.5	10.0	M3	1	1000
50687	GTS1-M3-12N	PA66 UL94V2	Natural	5.5	1.65	2.8	12.0	3.5	12.0	M3	1	1000
50891	GTS1-M3-14N	PA66 UL94V2	Natural	5.5	1.65	2.8	14.0	3.5	14.0	M3	1	1000
50692	GTS1-M4-10N	PA66 UL94V2	Natural	8.4	2.7	3.7	10.0	4.5	10.0	M4	1	1000
50693	GTS1-M4-12N	PA66 UL94V2	Natural	8.4	2.7	3.7	12.0	4.5	12.0	M4	1	1000
50678	GTS1-M4-14N	PA66 UL94V2	Natural	8.4	2.7	3.7	14.0	4.5	14.0	M4	1	1000
50836	GTS1-M4-16N	PA66 UL94V2	Natural	8.4	2.7	3.7	16.0	4.5	16.0	M4	1	1000
50893	GTS1-M4-20N	PA66 UL94V2	Natural	8.4	2.7	3.7	20.0	4.5	20.0	M4	1	1000
50696	GTS1-M5-12N	PA66 UL94V2	Natural	9.3	2.7	4.7	12.0	5.5	12.0	M5	1	1000
50895	GTS1-M5-14N	PA66 UL94V2	Natural	9.3	2.7	4.7	14.0	5.5	14.0	M5	1	1000
50840	GTS1-M5-16N	PA66 UL94V2	Natural	9.3	2.7	4.7	16.0	5.5	16.0	M5	1	1000
50842	GTS1-M5-20N	PA66 UL94V2	Natural	9.3	2.7	4.7	20.0	5.5	20.0	M5	1	1000
50897	GTS1-M6-14N	PA66 UL94V2	Natural	11.3	3.3	5.7	14.0	6.5	14.0	M6	1	1000
50846	GTS1-M6-16N	PA66 UL94V2	Natural	11.3	3.3	5.7	16.0	6.5	16.0	M6	1	1000

Material: GTS1/2/3: PA66 UL94V2 (GMS-65); GTS: PA66 UL94V2 (GMS-01)



sales@sucatec.com

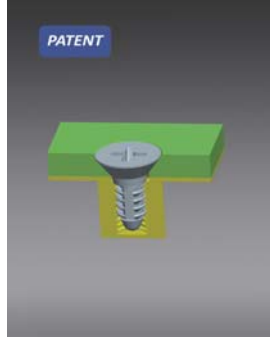


www.sucatec.com

SCREWS AND NUTS

Push-In Screw GTS/GTS1/GTS2/GTS3

PATENT



GTS1

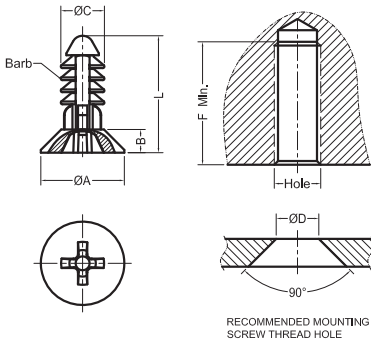


Fig.1

GTS2

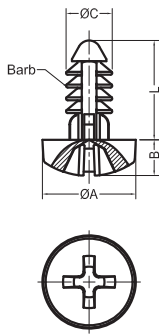


Fig.2

GTS3

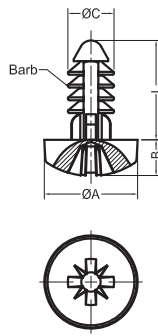


Fig.3

GTS

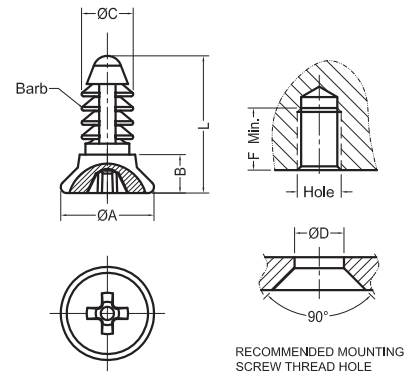


Fig.4

Sizes in mm

P/N.	Article No.	Material	Color	A	B	C	L	D	F	Hole	FIG.	Packing Unit
50848	GTS1-M6-20N	PA66 UL94V2	Natural	11.3	3.3	5.7	20.0	6.5	20.0	M6	1	1000
50899	GTS1-M6-25N	PA66 UL94V2	Natural	11.3	3.3	5.7	25.0	6.5	25.0	M6	1	1000
50681	GTS1-M8-20N	PA66 UL94V2	Natural	15.8	4.65	7.5	20.0	8.5	20.0	M8	1	1000
50872	GTS1-M8-25N	PA66 UL94V2	Natural	15.8	4.65	7.5	25.0	8.5	25.0	M8	1	1000
50874	GTS1-M8-30N	PA66 UL94V2	Natural	15.8	4.65	7.5	30.0	8.5	30.0	M8	1	1000
50901	GTS1-M8-35N	PA66 UL94V2	Natural	15.8	4.65	7.5	35.0	8.5	35.0	M8	1	1000
50719	GTS2-M3-6	PA66 UL94V2	Black	5.6	2.4	2.8	6.0	3.5	8.0	M3	2	1000
50720	GTS2-M3-8	PA66 UL94V2	Black	5.6	2.4	2.8	8.0	3.5	10.0	M3	2	1000
50721	GTS2-M3-10	PA66 UL94V2	Black	5.6	2.4	2.8	10.0	3.5	12.0	M3	2	1000
50722	GTS2-M3-12	PA66 UL94V2	Black	5.6	2.4	2.8	12.0	3.5	14.0	M3	2	1000
50851	GTS2-M4-6	PA66 UL94V2	Black	8.0	3.1	3.7	6.0	4.5	8.0	M4	2	1000
50853	GTS2-M4-8	PA66 UL94V2	Black	8.0	3.1	3.7	8.0	4.5	10.0	M4	2	1000
50729	GTS2-M4-8.5	PA66 UL94V2	Black	8.0	3.1	3.7	8.5	4.5	10.5	M4	2	1000
50730	GTS2-M4-10	PA66 UL94V2	Black	8.0	3.1	3.7	10.0	4.5	12.0	M4	2	1000
50731	GTS2-M4-12	PA66 UL94V2	Black	8.0	3.1	3.7	12.0	4.5	14.0	M4	2	1000
50732	GTS2-M4-14	PA66 UL94V2	Black	8.0	3.1	3.7	14.0	4.5	16.0	M4	2	1000
50855	GTS2-M4-16	PA66 UL94V2	Black	8.0	3.1	3.7	16.0	4.5	18.0	M4	2	1000
50737	GTS2-M5-9	PA66 UL94V2	Black	9.5	3.7	4.7	9.0	5.5	11.0	M5	2	1000
50857	GTS2-M5-10	PA66 UL94V2	Black	9.5	3.7	4.7	10.0	5.5	12.0	M5	2	1000
50738	GTS2-M5-12	PA66 UL94V2	Black	9.5	3.7	4.7	12.0	5.5	14.0	M5	2	1000
50739	GTS2-M5-15	PA66 UL94V2	Black	9.5	3.7	4.7	15.0	5.5	17.0	M5	2	1000
50859	GTS2-M5-16	PA66 UL94V2	Black	9.5	3.7	4.7	16.0	5.5	18.0	M5	2	1000
50740	GTS2-M5-18	PA66 UL94V2	Black	9.5	3.7	4.7	18.0	5.5	20.0	M5	2	1000
50861	GTS2-M5-20	PA66 UL94V2	Black	9.5	3.7	4.7	20.0	5.5	22.0	M5	2	1000
50863	GTS2-M6-10	PA66 UL94V2	Black	12.0	4.6	5.7	10.0	6.5	12.0	M6	2	1000
50888	GTS2-M6-12	PA66 UL94V2	Black	12.0	4.6	5.7	12.0	6.5	14.0	M6	2	1000
50742	GTS2-M6-13.5	PA66 UL94V2	Black	12.0	4.6	5.7	13.5	6.5	15.5	M6	2	1000
50743	GTS2-M6-15	PA66 UL94V2	Black	12.0	4.6	5.7	15.0	6.5	17.0	M6	2	1000

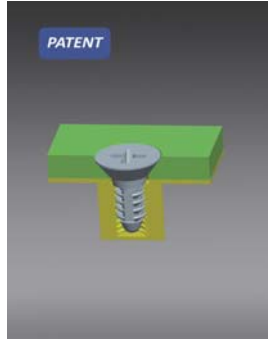
Material: GTS1/2/3: PA66 UL94V2 (GMS-65); GTS: PA66 UL94V2 (GMS-01)



SCREWS AND NUTS

Push-In Screw GTS/GTS1/GTS2/GTS3

PATENT



GTS1

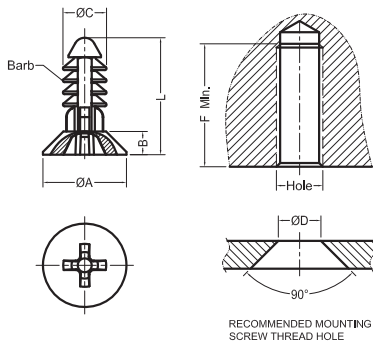


Fig.1

GTS2

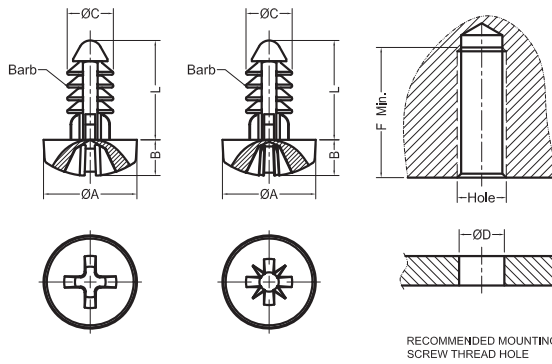


Fig.2

GTS3

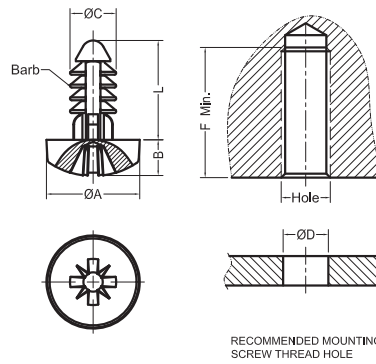


Fig.3

GTS

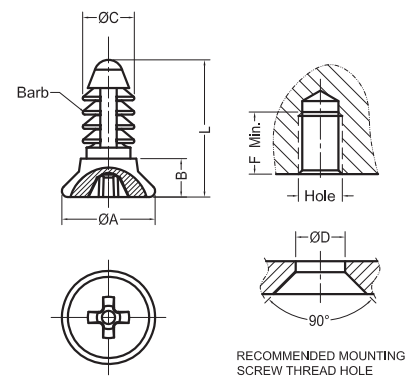


Fig.4

Sizes in mm

P/N.	Article No.	Material	Color	A	B	C	L	D	F	Hole	FIG.	Packing Unit
50865	GTS2-M6-16	PA66 UL94V2	Black	12.0	4.6	5.7	16.0	6.5	18.0	M6	2	1000
50744	GTS2-M6-18	PA66 UL94V2	Black	12.0	4.6	5.7	18.0	6.5	20.0	M6	2	1000
50867	GTS2-M6-20	PA66 UL94V2	Black	12.0	4.6	5.7	20.0	6.5	22.0	M6	2	1000
50902	GTS2-M6-25	PA66 UL94V2	Black	12.0	4.6	5.7	25.0	6.5	27.0	M6	2	1000
50869	GTS2-M8-12	PA66 UL94V2	Black	16.0	6.0	7.5	12.0	8.5	14.0	M8	2	1000
50746	GTS2-M8-16	PA66 UL94V2	Black	16.0	6.0	7.5	16.0	8.5	18.0	M8	2	1000
50747	GTS2-M8-18	PA66 UL94V2	Black	16.0	6.0	7.5	18.0	8.5	20.0	M8	2	1000
50748	GTS2-M8-20	PA66 UL94V2	Black	16.0	6.0	7.5	20.0	8.5	22.0	M8	2	1000
50875	GTS2-M8-25	PA66 UL94V2	Black	16.0	6.0	7.5	25.0	8.5	27.0	M8	2	1000
50877	GTS2-M8-30	PA66 UL94V2	Black	16.0	6.0	7.5	30.0	8.5	32.0	M8	2	1000
50904	GTS2-M8-35	PA66 UL94V2	Black	16.0	6.0	7.5	35.0	8.5	37.0	M8	2	1000
50749	GTS2-M3-6N	PA66 UL94V2	Natural	5.6	2.4	2.8	6.0	3.5	8.0	M3	2	1000
50750	GTS2-M3-8N	PA66 UL94V2	Natural	5.6	2.4	2.8	8.0	3.5	10.0	M3	2	1000
50751	GTS2-M3-10N	PA66 UL94V2	Natural	5.6	2.4	2.8	10.0	3.5	12.0	M3	2	1000
50752	GTS2-M3-12N	PA66 UL94V2	Natural	5.6	2.4	2.8	12.0	3.5	14.0	M3	2	1000
50852	GTS2-M4-6N	PA66 UL94V2	Natural	8.0	3.1	3.7	6.0	4.5	8.0	M4	2	1000
50854	GTS2-M4-8N	PA66 UL94V2	Natural	8.0	3.1	3.7	8.0	4.5	10.0	M4	2	1000
50753	GTS2-M4-8.5N	PA66 UL94V2	Natural	8.0	3.1	3.7	8.5	4.5	10.5	M4	2	1000
50754	GTS2-M4-10N	PA66 UL94V2	Natural	8.0	3.1	3.7	10.0	4.5	12.0	M4	2	1000
50755	GTS2-M4-12N	PA66 UL94V2	Natural	8.0	3.1	3.7	12.0	4.5	14.0	M4	2	1000
50756	GTS2-M4-14N	PA66 UL94V2	Natural	8.0	3.1	3.7	14.0	4.5	16.0	M4	2	1000
50856	GTS2-M4-16N	PA66 UL94V2	Natural	8.0	3.1	3.7	16.0	4.5	18.0	M4	2	1000
50757	GTS2-M5-9N	PA66 UL94V2	Natural	9.5	3.7	4.7	9.0	5.5	11.0	M5	2	1000
50858	GTS2-M5-10N	PA66 UL94V2	Natural	9.5	3.7	4.7	10.0	5.5	12.0	M5	2	1000
50758	GTS2-M5-12N	PA66 UL94V2	Natural	9.5	3.7	4.7	12.0	5.5	14.0	M5	2	1000
50759	GTS2-M5-15N	PA66 UL94V2	Natural	9.5	3.7	4.7	15.0	5.5	17.0	M5	2	1000
50860	GTS2-M5-16N	PA66 UL94V2	Natural	9.5	3.7	4.7	16.0	5.5	18.0	M5	2	1000
50760	GTS2-M5-18N	PA66 UL94V2	Natural	9.5	3.7	4.7	18.0	5.5	20.0	M5	2	1000

Material: GTS1/2/3: PA66 UL94V2 (GMS-65); GTS: PA66 UL94V2 (GMS-01)



sales@sucatec.com

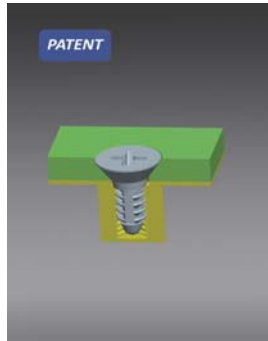


www.sucatec.com

SCREWS AND NUTS

Push-In Screw GTS/GTS1/GTS2/GTS3

PATENT



GTS1

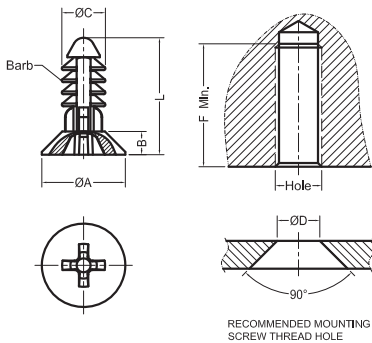


Fig.1

GTS2

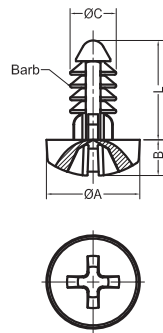


Fig.2

GTS3

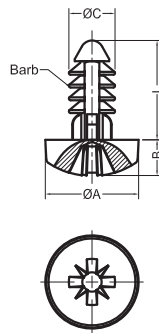


Fig.3

GTS

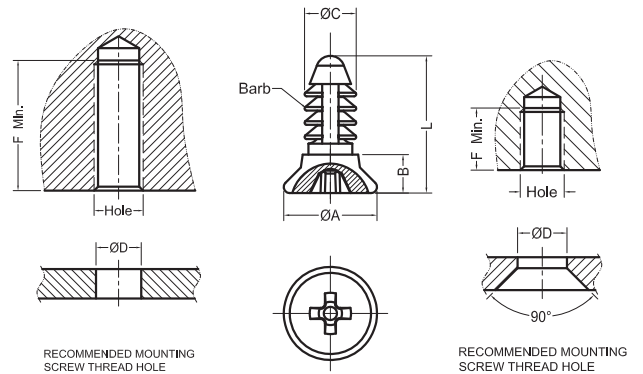


Fig.4

Sizes in mm

P/N.	Article No.	Material	Color	A	B	C	L	D	F	Hole	FIG.	Packing Unit
50862	GTS2-M5-20N	PA66 UL94V2	Natural	9.5	3.7	4.7	20.0	5.5	22.0	M5	2	1000
50864	GTS2-M6-10N	PA66 UL94V2	Natural	12.0	4.6	5.7	10.0	6.5	12.0	M6	2	1000
50885	GTS2-M6-12N	PA66 UL94V2	Natural	12.0	4.6	5.7	12.0	6.5	14.0	M6	2	1000
50762	GTS2-M6-13.5N	PA66 UL94V2	Natural	12.0	4.6	5.7	13.5	6.5	15.5	M6	2	1000
50763	GTS2-M6-15N	PA66 UL94V2	Natural	12.0	4.6	5.7	15.0	6.5	17.0	M6	2	1000
50866	GTS2-M6-16N	PA66 UL94V2	Natural	12.0	4.6	5.7	16.0	6.5	18.0	M6	2	1000
50764	GTS2-M6-18N	PA66 UL94V2	Natural	12.0	4.6	5.7	18.0	6.5	20.0	M6	2	1000
50868	GTS2-M6-20N	PA66 UL94V2	Natural	12.0	4.6	5.7	20.0	6.5	22.0	M6	2	1000
50903	GTS2-M6-25N	PA66 UL94V2	Natural	12.0	4.6	5.7	25.0	6.5	27.0	M6	2	1000
50870	GTS2-M8-12N	PA66 UL94V2	Natural	16.0	6.0	7.5	12.0	8.5	14.0	M8	2	1000
50766	GTS2-M8-16N	PA66 UL94V2	Natural	16.0	6.0	7.5	16.0	8.5	18.0	M8	2	1000
50767	GTS2-M8-18N	PA66 UL94V2	Natural	16.0	6.0	7.5	18.0	8.5	20.0	M8	2	1000
50768	GTS2-M8-20N	PA66 UL94V2	Natural	16.0	6.0	7.5	20.0	8.5	22.0	M8	2	1000
50876	GTS2-M8-25N	PA66 UL94V2	Natural	16.0	6.0	7.5	25.0	8.5	27.0	M8	2	1000
50878	GTS2-M8-30N	PA66 UL94V2	Natural	16.0	6.0	7.5	30.0	8.5	32.0	M8	2	1000
50905	GTS2-M8-35N	PA66 UL94V2	Natural	16.0	6.0	7.5	35.0	8.5	37.0	M8	2	1000
50769	GTS3-M3-6	PA66 UL94V2	Black	5.6	2.4	2.8	6.0	3.5	8.0	M3	3	1000
50770	GTS3-M3-8	PA66 UL94V2	Black	5.6	2.4	2.8	8.0	3.5	10.0	M3	3	1000
50771	GTS3-M3-10	PA66 UL94V2	Black	5.6	2.4	2.8	10.0	3.5	12.0	M3	3	1000
50772	GTS3-M3-12	PA66 UL94V2	Black	5.6	2.4	2.8	12.0	3.5	14.0	M3	3	1000
50811	GTS3-M4-6	PA66 UL94V2	Black	8.0	3.1	3.7	6.0	4.5	8.0	M4	3	1000
50813	GTS3-M4-8	PA66 UL94V2	Black	8.0	3.1	3.7	8.0	4.5	10.0	M4	3	1000
50777	GTS3-M4-8.5	PA66 UL94V2	Black	8.0	3.1	3.7	8.5	4.5	10.5	M4	3	1000
50778	GTS3-M4-10	PA66 UL94V2	Black	8.0	3.1	3.7	10.0	4.5	12.0	M4	3	1000
50779	GTS3-M4-12	PA66 UL94V2	Black	8.0	3.1	3.7	12.0	4.5	14.0	M4	3	1000
50780	GTS3-M4-14	PA66 UL94V2	Black	8.0	3.1	3.7	14.0	4.5	16.0	M4	3	1000
50815	GTS3-M4-16	PA66 UL94V2	Black	8.0	3.1	3.7	16.0	4.5	18.0	M4	3	1000
50785	GTS3-M5-9	PA66 UL94V2	Black	9.5	3.7	4.7	9.0	5.5	11.0	M5	3	1000

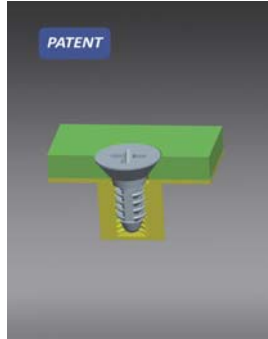
Material: GTS1/2/3: PA66 UL94V2 (GMS-65); GTS: PA66 UL94V2 (GMS-01)



SCREWS AND NUTS

Push-In Screw GTS/GTS1/GTS2/GTS3

PATENT



GTS1

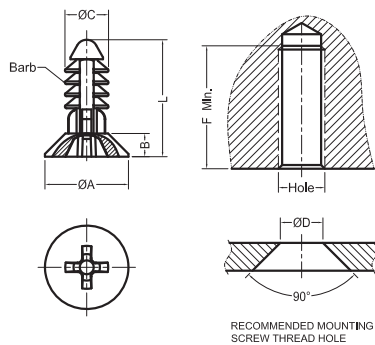


Fig.1

GTS2

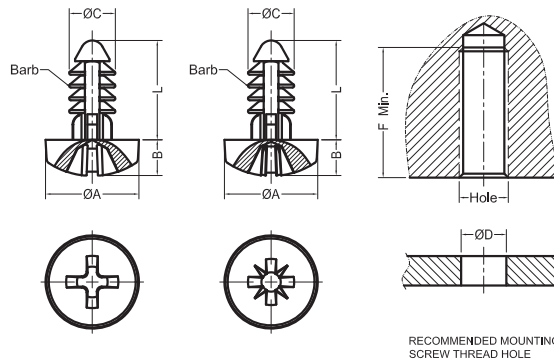


Fig.2

GTS3

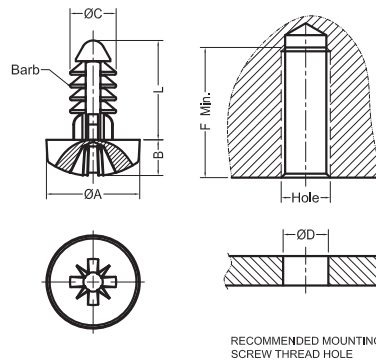


Fig.3

GTS

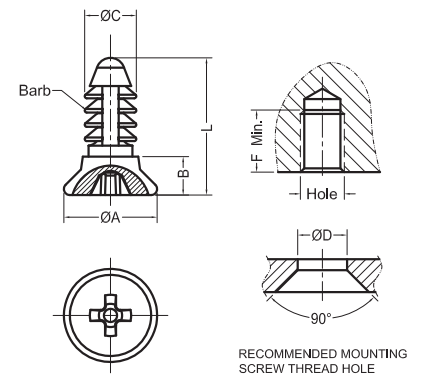


Fig.4

Sizes in mm

P/N.	Article No.	Material	Color	A	B	C	L	D	F	Hole	FIG.	Packing Unit
50817	GTS3-M5-10	PA66 UL94V2	Black	9.5	3.7	4.7	10.0	5.5	12.0	M5	3	1000
50786	GTS3-M5-12	PA66 UL94V2	Black	9.5	3.7	4.7	12.0	5.5	14.0	M5	3	1000
50787	GTS3-M5-15	PA66 UL94V2	Black	9.5	3.7	4.7	15.0	5.5	17.0	M5	3	1000
50819	GTS3-M5-16	PA66 UL94V2	Black	9.5	3.7	4.7	16.0	5.5	18.0	M5	3	1000
50788	GTS3-M5-18	PA66 UL94V2	Black	9.5	3.7	4.7	18.0	5.5	20.0	M5	3	1000
50821	GTS3-M5-20	PA66 UL94V2	Black	9.5	3.7	4.7	20.0	5.5	22.0	M5	3	1000
50823	GTS3-M6-10	PA66 UL94V2	Black	12.0	4.6	5.7	10.0	6.5	12.0	M6	3	1000
50889	GTS3-M6-12	PA66 UL94V2	Black	12.0	4.6	5.7	12.0	6.5	14.0	M6	3	1000
50794	GTS3-M6-13.5	PA66 UL94V2	Black	12.0	4.6	5.7	13.5	6.5	15.5	M6	3	1000
50795	GTS3-M6-15	PA66 UL94V2	Black	12.0	4.6	5.7	15.0	6.5	17.0	M6	3	1000
50825	GTS3-M6-16	PA66 UL94V2	Black	12.0	4.6	5.7	16.0	6.5	18.0	M6	3	1000
50796	GTS3-M6-18	PA66 UL94V2	Black	12.0	4.6	5.7	18.0	6.5	20.0	M6	3	1000
50827	GTS3-M6-20	PA66 UL94V2	Black	12.0	4.6	5.7	20.0	6.5	22.0	M6	3	1000
50906	GTS3-M6-25	PA66 UL94V2	Black	12.0	4.6	5.7	25.0	6.5	27.0	M6	3	1000
50829	GTS3-M8-12	PA66 UL94V2	Black	16.0	6.0	7.5	12.0	8.5	14.0	M8	3	1000
50802	GTS3-M8-16	PA66 UL94V2	Black	16.0	6.0	7.5	16.0	8.5	18.0	M8	3	1000
50803	GTS3-M8-18	PA66 UL94V2	Black	16.0	6.0	7.5	18.0	8.5	20.0	M8	3	1000
50804	GTS3-M8-20	PA66 UL94V2	Black	16.0	6.0	7.5	20.0	8.5	22.0	M8	3	1000
50879	GTS3-M8-25	PA66 UL94V2	Black	16.0	6.0	7.5	25.0	8.5	27.0	M8	3	1000
50881	GTS3-M8-30	PA66 UL94V2	Black	16.0	6.0	7.5	30.0	8.5	32.0	M8	3	1000
50908	GTS3-M8-35	PA66 UL94V2	Black	16.0	6.0	7.5	35.0	8.5	37.0	M8	3	1000
50773	GTS3-M3-6N	PA66 UL94V2	Natural	5.6	2.4	2.8	6.0	3.5	8.0	M3	3	1000
50774	GTS3-M3-8N	PA66 UL94V2	Natural	5.6	2.4	2.8	8.0	3.5	10.0	M3	3	1000
50775	GTS3-M3-10N	PA66 UL94V2	Natural	5.6	2.4	2.8	10.0	3.5	12.0	M3	3	1000
50776	GTS3-M3-12N	PA66 UL94V2	Natural	5.6	2.4	2.8	12.0	3.5	14.0	M3	3	1000
50812	GTS3-M4-6N	PA66 UL94V2	Natural	8.0	3.1	3.7	6.0	4.5	8.0	M4	3	1000
50814	GTS3-M4-8N	PA66 UL94V2	Natural	8.0	3.1	3.7	8.0	4.5	10.0	M4	3	1000
50781	GTS3-M4-8.5N	PA66 UL94V2	Natural	8.0	3.1	3.7	8.5	4.5	10.5	M4	3	1000

Material: GTS1/2/3: PA66 UL94V2 (GMS-65); GTS: PA66 UL94V2 (GMS-01)



sales@sucatec.com

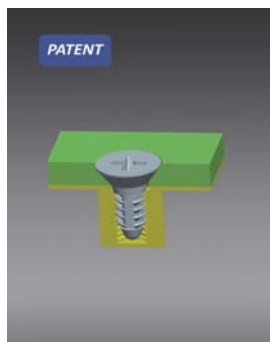


www.sucatec.com

SCREWS AND NUTS

Push-In Screw GTS/GTS1/GTS2/GTS3

PATENT



GTS1

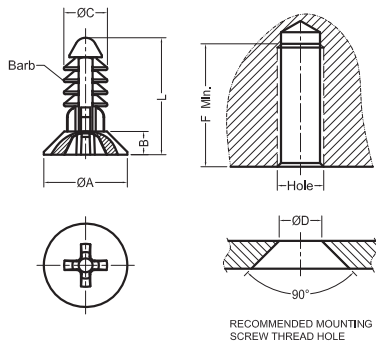


Fig.1

GTS2

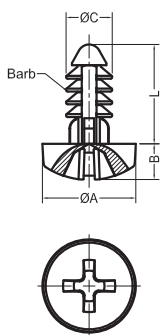


Fig.2

GTS3

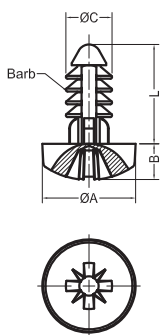


Fig.3

GTS

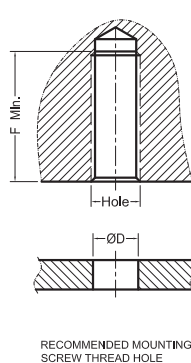
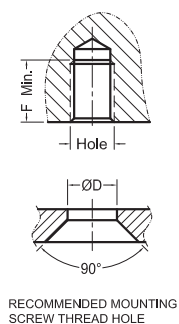


Fig.4



RECOMMENDED MOUNTING SCREW THREAD HOLE

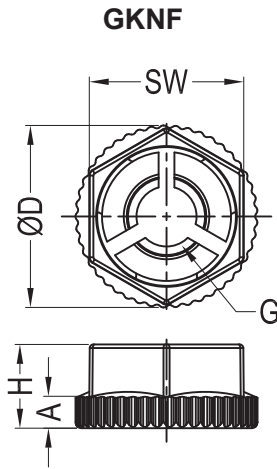
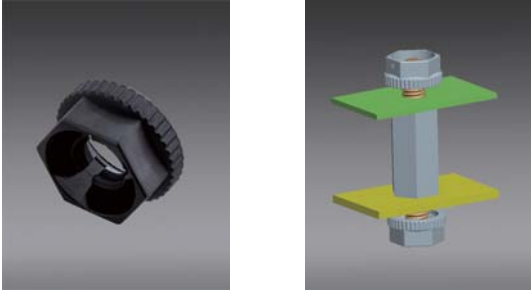
Sizes in mm

P/N.	Article No.	Material	Color	A	B	C	L	D	F	Hole	FIG.	Packing Unit
50782	GTS3-M4-10N	PA66 UL94V2	Natural	8.0	3.1	3.7	10.0	4.5	12.0	M4	3	1000
50783	GTS3-M4-12N	PA66 UL94V2	Natural	8.0	3.1	3.7	12.0	4.5	14.0	M4	3	1000
50784	GTS3-M4-14N	PA66 UL94V2	Natural	8.0	3.1	3.7	14.0	4.5	16.0	M4	3	1000
50816	GTS3-M4-16N	PA66 UL94V2	Natural	8.0	3.1	3.7	16.0	4.5	18.0	M4	3	1000
50789	GTS3-M5-9N	PA66 UL94V2	Natural	9.5	3.7	4.7	9.0	5.5	11.0	M5	3	1000
50818	GTS3-M5-10N	PA66 UL94V2	Natural	9.5	3.7	4.7	10.0	5.5	12.0	M5	3	1000
50790	GTS3-M5-12N	PA66 UL94V2	Natural	9.5	3.7	4.7	12.0	5.5	14.0	M5	3	1000
50791	GTS3-M5-15N	PA66 UL94V2	Natural	9.5	3.7	4.7	15.0	5.5	17.0	M5	3	1000
50820	GTS3-M5-16N	PA66 UL94V2	Natural	9.5	3.7	4.7	16.0	5.5	18.0	M5	3	1000
50792	GTS3-M5-18N	PA66 UL94V2	Natural	9.5	3.7	4.7	18.0	5.5	20.0	M5	3	1000
50822	GTS3-M5-20N	PA66 UL94V2	Natural	9.5	3.7	4.7	20.0	5.5	22.0	M5	3	1000
50824	GTS3-M6-10N	PA66 UL94V2	Natural	12.0	4.6	5.7	10.0	6.5	12.0	M6	3	1000
50886	GTS3-M6-12N	PA66 UL94V2	Natural	12.0	4.6	5.7	12.0	6.5	14.0	M6	3	1000
50798	GTS3-M6-13.5N	PA66 UL94V2	Natural	12.0	4.6	5.7	13.5	6.5	15.5	M6	3	1000
50799	GTS3-M6-15N	PA66 UL94V2	Natural	12.0	4.6	5.7	15.0	6.5	17.0	M6	3	1000
50826	GTS3-M6-16N	PA66 UL94V2	Natural	12.0	4.6	5.7	16.0	6.5	18.0	M6	3	1000
50800	GTS3-M6-18N	PA66 UL94V2	Natural	12.0	4.6	5.7	18.0	6.5	20.0	M6	3	1000
50828	GTS3-M6-20N	PA66 UL94V2	Natural	12.0	4.6	5.7	20.0	6.5	22.0	M6	3	1000
50907	GTS3-M6-25N	PA66 UL94V2	Natural	12.0	4.6	5.7	25.0	6.5	27.0	M6	3	1000
50830	GTS3-M8-12N	PA66 UL94V2	Natural	16.0	6.0	7.5	12.0	8.5	14.0	M8	3	1000
50806	GTS3-M8-16N	PA66 UL94V2	Natural	16.0	6.0	7.5	16.0	8.5	18.0	M8	3	1000
50807	GTS3-M8-18N	PA66 UL94V2	Natural	16.0	6.0	7.5	18.0	8.5	20.0	M8	3	1000
50808	GTS3-M8-20N	PA66 UL94V2	Natural	16.0	6.0	7.5	20.0	8.5	22.0	M8	3	1000
50880	GTS3-M8-25N	PA66 UL94V2	Natural	16.0	6.0	7.5	25.0	8.5	27.0	M8	3	1000
50882	GTS3-M8-30N	PA66 UL94V2	Natural	16.0	6.0	7.5	30.0	8.5	32.0	M8	3	1000
50909	GTS3-M8-35N	PA66 UL94V2	Natural	16.0	6.0	7.5	35.0	8.5	37.0	M8	3	1000
50483	GTS-M4-6.5	PA66 UL94V2	Black	7.3	3.0	3.7	9.5	4.5	7.0	M4	4	1000
50543	GTS-M4-6.5N	PA66 UL94V2	Natural	7.3	3.0	3.7	9.5	4.5	7.0	M4	4	1000

Material: GTS1/2/3: PA66 UL94V2 (GMS-65); GTS: PA66 UL94V2 (GMS-01)

SCREWS AND NUTS

KWIK Nut GKNF

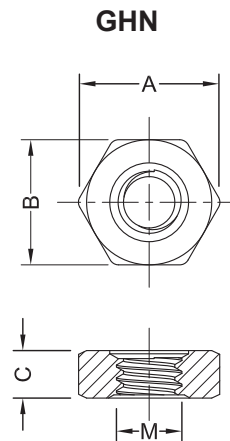
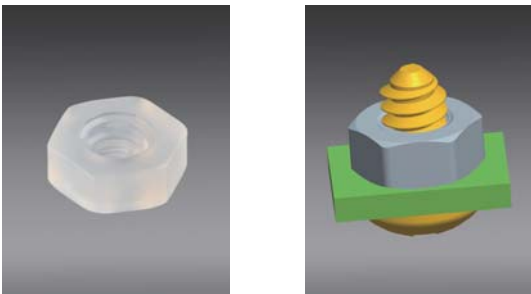


Sizes in mm

P/N.	Article No.	Cross-Ref.	Material	Color	D	G	H	A	SW	Packing Unit
50453	GKNF30(M3)	KNF-30	PA66 UL94V2	Black	8.1	M3	4.2	1.9	6.9	1000
50480	GKNF30N(M3)	KNF-30N	PA66 UL94V2	Natural	8.1	M3	4.2	1.9	6.9	1000
50452	GKNF40(M4)	KNF-40	PA66 UL94V2	Black	9.7	M4	4.8	2.0	7.9	1000
50474	GKNF40N(M4)	KNF-40N	PA66 UL94V2	Natural	9.7	M4	4.8	2.0	7.9	1000
50455	GKNF50(M4)	KNF-50	PA66 UL94V2	Black	12.1	M5	5.8	2.1	9.9	1000
50481	GKNF50N(M4)	KNF-50N	PA66 UL94V2	Natural	12.1	M5	5.8	2.1	9.9	1000
50419	GKNF60(M4)	KNF-60	PA66 UL94V2	Black	15.0	M6	6.9	2.6	12.7	1000
50482	GKNF60N(M4)	KNF-60N	PA66 UL94V2	Natural	15.0	M6	6.9	2.6	12.7	1000
50912	GKNF80(M8)	KNF-80	PA66 UL94V2	Black	20.0	M8	8.6	3.0	17.0	1000
50913	GKNF80N(M8)	KNF-80N	PA66 UL94V2	Natural	20.0	M8	8.6	3.0	17.0	1000
50914	GKNF100(M10)	KNF-100	PA66 UL94V2	Black	21.9	M10	10.5	4.0	19.0	1000
50915	GKNF100N(M10)	KNF-100N	PA66 UL94V2	Natural	21.9	M10	10.5	4.0	19.0	1000

Material: PA66 UL94V2 (GMS-01)

Hex Full Nut GHN



Sizes in mm

P/N.	Article No.	Cross-Ref.	Material	Color	A	B	C	Thread M	Packing Unit
43777	GHN-934N-M2	051020000002	PA66 UL94V2	Natural	4.4	4.0	1.6	M2	1000
43778	GHN-934N-M2.5	051025000002	PA66 UL94V2	Natural	5.5	5.0	2.0	M2.5	1000
43783	GHN-934N-M3	051030000002	PA66 UL94V2	Natural	6.1	5.5	2.4	M3	1000
43784	GHN-934N-M4	051040000002	PA66 UL94V2	Natural	7.8	7.0	3.2	M4	1000
43785	GHN-934N-M5	051050000002	PA66 UL94V2	Natural	9.0	8.0	4.0	M5	1000
43786	GHN-934N-M6	051060000002	PA66 UL94V2	Natural	11.3	10.0	5.0	M6	1000

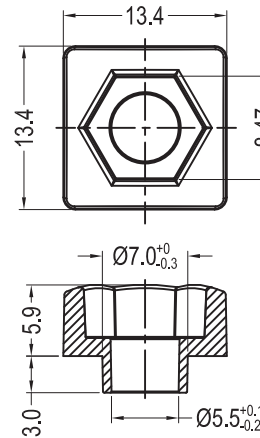
Material: PA66 UL94V2 (GMS-65)



Anti-Twist Protection Hexagon Nut, M5 G4430 000 16968



G4430 000 16968



Sizes in mm

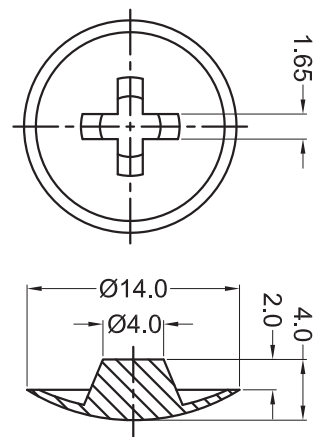
P/N.	Article No.	Material	Color	Packing Unit
60835	G4430 000 16968	PA66+GF UL94HB	Silver Grey	1000

Material: PA66+GF UL94HB (GMS-27)

Cover-Cap G12447



G12447



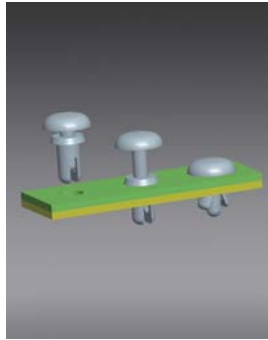
Sizes in mm

P/N.	Article No.	Cross-Ref.	Material	Color	Packing Unit
60808	G12447	12447	LDPE	White	1000

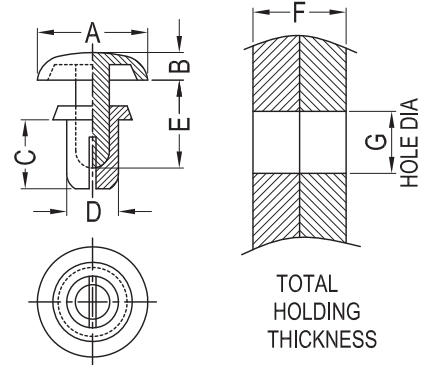
Material: LDPE (GMS-24)

RIVETS AND PANEL FASTENERS

Snap Rivets GR20-32



GR20-32



Sizes in mm

P/N.	Article No.	Cross-Ref.	Material	Color	A	B	C	D	E	F	G	Packing Unit
20000	GR2024B	SR-2024B	PA6 UL94V2	Black	4.2	1.2	2.4	2.0	2.8	0.6-1.2	2.1-2.2	1000
20002	GR2024W	SR-2024W	PA6 UL94V2	White	4.2	1.2	2.4	2.0	2.8	0.6-1.2	2.1-2.2	1000
20004	GR2032B	SR-2032B	PA6 UL94V2	Black	4.2	1.2	3.2	2.0	3.8	1.3-2.0	2.1-2.2	1000
20006	GR2032W	SR-2032W	PA6 UL94V2	White	4.2	1.2	3.2	2.0	3.8	1.3-2.0	2.1-2.2	1000
20008	GR2040B	SR-2040B	PA6 UL94V2	Black	4.2	1.2	4.0	2.0	5.5	2.1-2.8	2.1-2.2	1000
20010	GR2040W	SR-2040W	PA6 UL94V2	White	4.2	1.2	4.0	2.0	5.5	2.1-2.8	2.1-2.2	1000
20012	GR2048B	SR-2048B	PA6 UL94V2	Black	4.2	1.2	4.8	2.0	5.5	2.9-3.6	2.1-2.2	1000
20014	GR2048W	SR-2048W	PA6 UL94V2	White	4.2	1.2	4.8	2.0	5.5	2.9-3.6	2.1-2.2	1000
20016	GR2056B	SR-2056B	PA6 UL94V2	Black	4.2	1.2	5.6	2.0	7.2	3.7-4.4	2.1-2.2	1000
20018	GR2056W	SR-2056W	PA6 UL94V2	White	4.2	1.2	5.6	2.0	7.2	3.7-4.4	2.1-2.2	1000
20020	GR2064B	SR-2064B	PA6 UL94V2	Black	4.2	1.2	6.4	2.0	7.2	4.4-5.2	2.1-2.2	1000
20022	GR2064W	SR-2064W	PA6 UL94V2	White	4.2	1.2	6.4	2.0	7.2	4.4-5.2	2.1-2.2	1000
20024	GR2632B	SR-2632B	PA6 UL94V2	Black	5.0	1.4	3.2	2.6	4.6	1.0-2.0	2.7-2.8	1000
20026	GR2632W	SR-2632W	PA6 UL94V2	White	5.0	1.4	3.2	2.6	4.6	1.0-2.0	2.7-2.8	1000
20032	GR2642B	SR-2642B	PA6 UL94V2	Black	5.0	1.4	4.2	2.6	4.6	2.0-3.0	2.7-2.8	1000
20034	GR2642W	SR-2642W	PA6 UL94V2	White	5.0	1.4	4.2	2.6	4.6	2.0-3.0	2.7-2.8	1000
20037	GR2648B	SR-2648B	PA6 UL94V2	Black	5.0	1.4	4.8	2.6	6.2	2.7-3.6	2.7-2.8	1000
20039	GR2648W	SR-2648W	PA6 UL94V2	White	5.0	1.4	4.8	2.6	6.2	2.7-3.6	2.7-2.8	1000
20041	GR2655B	SR-2655B	PA6 UL94V2	Black	5.0	1.4	5.5	2.6	6.2	3.4-4.3	2.7-2.8	1000
20043	GR2655W	SR-2655W	PA6 UL94V2	White	5.0	1.4	5.5	2.6	6.2	3.4-4.3	2.7-2.8	1000
20045	GR2664B	SR-2664B	PA6 UL94V2	Black	5.0	1.4	6.4	2.6	7.8	4.3-5.2	2.7-2.8	1000
20047	GR2664W	SR-2664W	PA6 UL94V2	White	5.0	1.4	6.4	2.6	7.8	4.3-5.2	2.7-2.8	1000
20049	GR2672B	SR-2672B	PA6 UL94V2	Black	5.0	1.4	7.2	2.6	7.8	5.1-6.0	2.7-2.8	1000
20051	GR2672W	SR-2672W	PA6 UL94V2	White	5.0	1.4	7.2	2.6	7.8	5.1-6.0	2.7-2.8	1000
20053	GR3035B	SR-3035B	PA6 UL94V2	Black	6.4	1.6	3.5	3.0	5.1	1.0-2.0	3.1-3.2	1000
20055	GR3035W	SR-3035W	PA6 UL94V2	White	6.4	1.6	3.5	3.0	5.1	1.0-2.0	3.1-3.2	1000
20058	GR3045B	SR-3045B	PA6 UL94V2	Black	6.4	1.6	4.5	3.0	6.1	2.0-3.0	3.1-3.2	1000
20060	GR3045W	SR-3045W	PA6 UL94V2	White	6.4	1.6	4.5	3.0	6.1	2.0-3.0	3.1-3.2	1000
20916	GR3050B	-	PA6 UL94V2	Black	6.4	1.6	5.0	3.0	6.1	2.5-3.5	3.1-3.2	1000
20915	GR3050W	-	PA6 UL94V2	White	6.4	1.6	5.0	3.0	6.1	2.5-3.5	3.1-3.2	1000
20067	GR3055B	SR-3055B	PA6 UL94V2	Black	6.4	1.6	5.5	3.0	6.1	3.0-4.0	3.1-3.2	1000
20069	GR3055W	SR-3055W	PA6 UL94V2	White	6.4	1.6	5.5	3.0	6.1	3.0-4.0	3.1-3.2	1000
20071	GR3065B	SR-3065B	PA6 UL94V2	Black	6.4	1.6	6.5	3.0	7.1	4.0-5.0	3.1-3.2	1000
20073	GR3065W	SR-3065W	PA6 UL94V2	White	6.4	1.6	6.5	3.0	7.1	4.0-5.0	3.1-3.2	1000
20079	GR3075B	SR-3075B	PA6 UL94V2	Black	6.4	1.6	7.5	3.0	9.0	5.0-6.0	3.1-3.2	1000

Material: PA6 UL94V2 (GMS-10); PA66 UL94V0 (GMS-02)



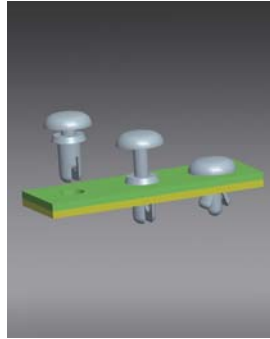
sales@sucatec.com



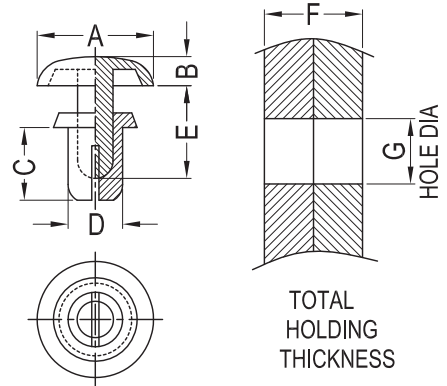
www.sucatec.com

RIVETS AND PANEL FASTENERS

Snap Rivets GR20-32



GR20-32



Sizes in mm

P/N.	Article No.	Cross-Ref.	Material	Color	A	B	C	D	E	F	G	Packing Unit
20081	GR3075W	SR-3075W	PA6 UL94V2	White	6.4	1.6	7.5	3.0	9.0	5.0-6.0	3.1-3.2	1000
20092	GR3080B	SR-3080B	PA6 UL94V2	Black	6.4	1.6	8.0	3.0	9.0	5.5-6.5	3.1-3.2	1000
20094	GR3080W	SR-3080W	PA6 UL94V2	White	6.4	1.6	8.0	3.0	9.0	5.5-6.5	3.1-3.2	1000
20100	GR3090B	SR-3090B	PA6 UL94V2	Black	6.4	1.6	9.0	3.0	11.0	6.5-7.5	3.1-3.2	1000
20102	GR3090W	SR-3090W	PA6 UL94V2	White	6.4	1.6	9.0	3.0	11.0	6.5-7.5	3.1-3.2	1000
20104	GR3100B	SR-3100B	PA6 UL94V2	Black	6.4	1.6	10.0	3.0	11.0	7.5-8.5	3.1-3.2	1000
20106	GR3100W	SR-3100W	PA6 UL94V2	White	6.4	1.6	10.0	3.0	11.0	7.5-8.5	3.1-3.2	1000
20108	GR3145B	SR-3145B	PA6 UL94V2	Black	6.4	1.6	14.5	3.0	15.5	11.5-13.0	3.1-3.2	1000
20726	GR3145W	SR-3145W	PA6 UL94V2	White	6.4	1.6	14.5	3.0	15.5	11.5-13.0	3.1-3.2	1000
20109	GR3230B	SR-3230B	PA6 UL94V2	Black	6.4	1.6	23.0	3.0	24.0	20.5-21.5	3.1-3.2	1000
20111	GR3230W	SR-3230W	PA6 UL94V2	White	6.4	1.6	23.0	3.0	24.0	20.5-21.5	3.1-3.2	1000
20001	GR2024BV0	SRVO-2024B	PA66 UL94V0	Black	4.2	1.2	2.4	2.0	2.8	0.6-1.2	2.1-2.2	1000
20005	GR2032BV0	SRVO-2032B	PA66 UL94V0	Black	4.2	1.2	3.2	2.0	3.8	1.3-2.0	2.1-2.2	1000
20009	GR2040BV0	SRVO-2040B	PA66 UL94V0	Black	4.2	1.2	4.0	2.0	5.5	2.1-2.8	2.1-2.2	1000
20013	GR2048BV0	SRVO-2048B	PA66 UL94V0	Black	4.2	1.2	4.8	2.0	5.5	2.9-3.6	2.1-2.2	1000
20017	GR2056BV0	SRVO-2056B	PA66 UL94V0	Black	4.2	1.2	5.6	2.0	7.2	3.7-4.4	2.1-2.2	1000
20021	GR2064BV0	SRVO-2064B	PA66 UL94V0	Black	4.2	1.2	6.4	2.0	7.2	4.4-5.2	2.1-2.2	1000
20025	GR2632BV0	SRVO-2632B	PA66 UL94V0	Black	5.0	1.4	3.2	2.6	4.6	1.0-2.0	2.7-2.8	1000
20033	GR2642BV0	SRVO-2642B	PA66 UL94V0	Black	5.0	1.4	4.2	2.6	4.6	2.0-3.0	2.7-2.8	1000
20038	GR2648BV0	SRVO-2648B	PA66 UL94V0	Black	5.0	1.4	4.8	2.6	6.2	2.7-3.6	2.7-2.8	1000
20042	GR2655BV0	SRVO-2655B	PA66 UL94V0	Black	5.0	1.4	5.5	2.6	6.2	3.4-4.3	2.7-2.8	1000
20046	GR2664BV0	SRVO-2664B	PA66 UL94V0	Black	5.0	1.4	6.4	2.6	7.8	4.3-5.2	2.6-2.7	1000
20050	GR2672BV0	SRVO-2672B	PA66 UL94V0	Black	5.0	1.4	7.2	2.6	7.8	5.1-6.0	2.6-2.7	1000
20054	GR3035BV0	SRVO-3035B	PA66 UL94V0	Black	6.4	1.6	3.5	3.0	5.1	1.0-2.0	3.1-3.2	1000
20059	GR3045BV0	SRVO-3045B	PA66 UL94V0	Black	6.4	1.6	4.5	3.0	6.1	2.0-3.0	3.1-3.2	1000
20917	GR3050BV0	-	PA66 UL94V0	Black	6.4	1.6	5.0	3.0	6.1	2.5-3.5	3.1-3.2	1000
20068	GR3055BV0	SRVO-3055B	PA66 UL94V0	Black	6.4	1.6	5.5	3.0	6.1	3.0-4.0	3.1-3.2	1000
20072	GR3065BV0	SRVO-3065B	PA66 UL94V0	Black	6.4	1.6	6.5	3.0	7.1	4.0-5.0	3.1-3.2	1000
20080	GR3075BV0	SRVO-3075B	PA66 UL94V0	Black	6.4	1.6	7.5	3.0	9.0	5.0-6.0	3.1-3.2	1000
20093	GR3080BV0	SRVO-3080B	PA66 UL94V0	Black	6.4	1.6	8.0	3.0	9.0	5.5-6.5	3.1-3.2	1000
20101	GR3090BV0	SRVO-3090B	PA66 UL94V0	Black	6.4	1.6	9.0	3.0	11.0	6.5-7.5	3.1-3.2	1000
20105	GR3100BV0	SRVO-3100B	PA66 UL94V0	Black	6.4	1.6	10.0	3.0	11.0	7.5-8.5	3.1-3.2	1000
20748	GR3145BV0	SRVO-3145B	PA66 UL94V0	Black	6.4	1.6	14.5	3.0	15.5	11.5-13.0	3.1-3.2	1000
20110	GR3230BV0	SRVO-3230B	PA66 UL94V0	Black	6.4	1.6	23.0	3.0	24.0	20.5-21.5	3.1-3.2	1000

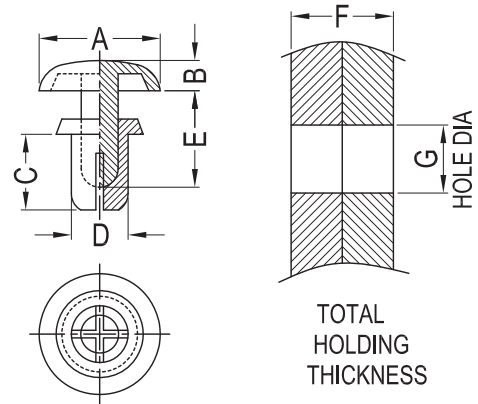
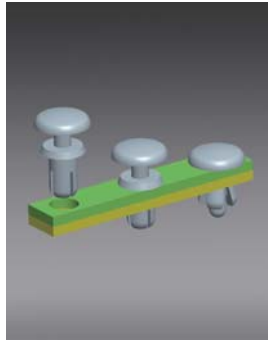
Material: PA6 UL94V2 (GMS-10); PA66 UL94V0 (GMS-02)



RIVETS AND PANEL FASTENERS

Snap Rivets GR35-60

GR35-60



Sizes in mm

P/N.	Article No.	Cross-Ref.	Material	Color	A	B	C	D	E	F	G	Packing Unit
20909	GR3055-SPB	-	PA6 UL94V2	Black	6.4	1.6	5.5	3.0	6.1	3.0-4.0	3.1-3.2	1000
20933	GR3055-SPW	-	PA6 UL94V2	White	6.4	1.6	5.5	3.0	6.1	3.0-4.0	3.1-3.2	1000
20113	GR3535B	SR-3535B	PA6 UL94V2	Black	6.4	1.6	3.5	3.5	5.1	1.2-2.1	3.6-3.7	1000
20115	GR3535W	SR-3535W	PA6 UL94V2	White	6.4	1.6	3.5	3.5	5.1	1.2-2.1	3.6-3.7	1000
20117	GR3545B	SR-3545B	PA6 UL94V2	Black	6.4	1.6	4.5	3.5	6.1	2.1-3.0	3.6-3.7	1000
20119	GR3545W	SR-3545W	PA6 UL94V2	White	6.4	1.6	4.5	3.5	6.1	2.1-3.0	3.6-3.7	1000
20122	GR3550B	SR-3550B	PA6 UL94V2	Black	6.4	1.6	5.0	3.5	6.1	2.7-3.6	3.6-3.7	1000
20124	GR3550W	SR-3550W	PA6 UL94V2	White	6.4	1.6	5.0	3.5	6.1	2.7-3.6	3.6-3.7	1000
20128	GR3555B	SR-3555B	PA6 UL94V2	Black	6.4	1.6	5.5	3.5	7.1	3.0-4.0	3.6-3.7	1000
20130	GR3555W	SR-3555W	PA6 UL94V2	White	6.4	1.6	5.5	3.5	7.1	3.0-4.0	3.6-3.7	1000
20133	GR3560B	SR-3560B	PA6 UL94V2	Black	6.4	1.6	6.0	3.5	7.1	3.7-4.6	3.6-3.7	1000
20135	GR3560W	SR-3560W	PA6 UL94V2	White	6.4	1.6	6.0	3.5	7.1	3.7-4.6	3.6-3.7	1000
20137	GR3570B	SR-3570B	PA6 UL94V2	Black	6.4	1.6	7.0	3.5	9.0	4.5-5.5	3.6-3.7	1000
20139	GR3570W	SR-3570W	PA6 UL94V2	White	6.4	1.6	7.0	3.5	9.0	4.5-5.5	3.6-3.7	1000
20145	GR3580B	SR-3580B	PA6 UL94V2	Black	6.4	1.6	8.0	3.5	9.0	5.5-6.5	3.6-3.7	1000
20147	GR3580W	SR-3580W	PA6 UL94V2	White	6.4	1.6	8.0	3.5	9.0	5.5-6.5	3.6-3.7	1000
20793	GR4040-SPB	-	PA6 UL94V2	Black	8.0	1.8	4.0	4.0	5.0	1.7-2.5	4.1-4.2	1000
20918	GR4040-SPW	-	PA6 UL94V2	White	8.0	1.8	4.0	4.0	5.0	1.7-2.5	4.1-4.2	1000
20149	GR4050B	SR-4050B	PA6 UL94V2	Black	8.0	1.8	5.0	4.0	7.1	2.5-3.5	4.1-4.2	1000
20151	GR4050W	SR-4050W	PA6 UL94V2	White	8.0	1.8	5.0	4.0	7.1	2.5-3.5	4.1-4.2	1000
20920	GR4055B	-	PA6 UL94V2	Black	8.0	1.8	5.5	4.0	7.1	3.0-4.0	4.1-4.2	1000
20914	GR4055W	-	PA6 UL94V2	White	8.0	1.8	5.5	4.0	7.1	3.0-4.0	4.1-4.2	1000
20162	GR4060B	SR-4060B	PA6 UL94V2	Black	8.0	1.8	6.0	4.0	7.1	3.5-4.5	4.1-4.2	1000
20164	GR4060W	SR-4060W	PA6 UL94V2	White	8.0	1.8	6.0	4.0	7.1	3.5-4.5	4.1-4.2	1000
20172	GR4070B	SR-4070B	PA6 UL94V2	Black	8.0	1.8	7.0	4.0	9.0	4.5-5.5	4.1-4.2	1000
20174	GR4070W	SR-4070W	PA6 UL94V2	White	8.0	1.8	7.0	4.0	9.0	4.5-5.5	4.1-4.2	1000
20179	GR4080B	SR-4080B	PA6 UL94V2	Black	8.0	1.8	8.0	4.0	9.0	5.5-6.5	4.1-4.2	1000
20181	GR4080W	SR-4080W	PA6 UL94V2	White	8.0	1.8	8.0	4.0	9.0	5.5-6.5	4.1-4.2	1000
20183	GR4090B	SR-4090B	PA6 UL94V2	Black	8.0	1.8	9.0	4.0	11.0	6.5-7.5	4.1-4.2	1000
20185	GR4090W	SR-4090W	PA6 UL94V2	White	8.0	1.8	9.0	4.0	11.0	6.5-7.5	4.1-4.2	1000

Material: PA6 UL94V2 (GMS-10); PA66 UL94V0 (GMS-02)



sales@sucatec.com

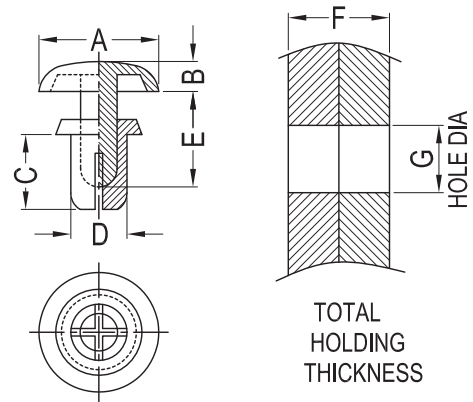
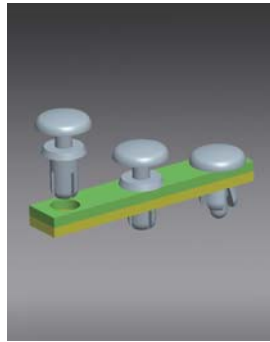


www.sucatec.com

RIVETS AND PANEL FASTENERS

Snap Rivets GR35-60

GR35-60



Sizes in mm

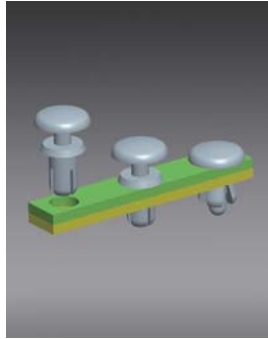
P/N.	Article No.	Cross-Ref.	Material	Color	A	B	C	D	E	F	G	Packing Unit
20190	GR4100B	SR-4100B	PA6 UL94V2	Black	8.0	1.8	10.0	4.0	11.0	7.5-8.5	4.1-4.2	1000
20192	GR4100W	SR-4100W	PA6 UL94V2	White	8.0	1.8	10.0	4.0	11.0	7.5-8.5	4.1-4.2	1000
20197	GR4120B	SR-4120B	PA6 UL94V2	Black	8.0	1.8	12.0	4.0	14.0	9.0-10.5	4.1-4.2	1000
20199	GR4120W	SR-4120W	PA6 UL94V2	White	8.0	1.8	12.0	4.0	14.0	9.0-10.5	4.1-4.2	1000
20201	GR4155B	SR-4155B	PA6 UL94V2	Black	8.0	1.8	15.5	4.0	16.6	12.5-14.0	4.1-4.2	1000
20743	GR4155W	SR-4155W	PA6 UL94V2	White	8.0	1.8	15.5	4.0	16.6	12.5-14.0	4.1-4.2	1000
20202	GR5045B	SR-5045B	PA6 UL94V2	Black	9.0	2.2	4.5	5.0	6.5	1.5-2.5	5.1-5.2	1000
20204	GR5045W	SR-5045W	PA6 UL94V2	White	9.0	2.2	4.5	5.0	6.5	1.5-2.5	5.1-5.2	1000
20206	GR5055B	SR-5055B	PA6 UL94V2	Black	9.0	2.2	5.5	5.0	6.5	2.5-3.5	5.1-5.2	1000
20208	GR5055W	SR-5055W	PA6 UL94V2	White	9.0	2.2	5.5	5.0	6.5	2.5-3.5	5.1-5.2	1000
20210	GR5065B	SR-5065B	PA6 UL94V2	Black	9.0	2.2	6.5	5.0	8.5	3.5-4.5	5.1-5.2	1000
20212	GR5065W	SR-5065W	PA6 UL94V2	White	9.0	2.2	6.5	5.0	8.5	3.5-4.5	5.1-5.2	1000
20221	GR5075B	SR-5075B	PA6 UL94V2	Black	9.0	2.2	7.5	5.0	8.5	4.5-5.5	5.1-5.2	1000
20223	GR5075W	SR-5075W	PA6 UL94V2	White	9.0	2.2	7.5	5.0	8.5	4.5-5.5	5.1-5.2	1000
20231	GR5085B	SR-5085B	PA6 UL94V2	Black	9.0	2.2	8.5	5.0	10.5	5.5-6.5	5.1-5.2	1000
20233	GR5085W	SR-5085W	PA6 UL94V2	White	9.0	2.2	8.5	5.0	10.5	5.5-6.5	5.1-5.2	1000
20237	GR5095B	SR-5095B	PA6 UL94V2	Black	9.0	2.2	9.5	5.0	10.5	6.5-7.5	5.1-5.2	1000
20239	GR5095W	SR-5095W	PA6 UL94V2	White	9.0	2.2	9.5	5.0	10.5	6.5-7.5	5.1-5.2	1000
20241	GR5105B	SR-5105B	PA6 UL94V2	Black	9.0	2.2	10.5	5.0	12.0	7.5-8.5	5.1-5.2	1000
20243	GR5105W	SR-5105W	PA6 UL94V2	White	9.0	2.2	10.5	5.0	12.0	7.5-8.5	5.1-5.2	1000
20245	GR5865B	SR-5865B	PA6 UL94V2	Black	12.0	2.7	6.3	5.8	9.0	3.0-4.5	5.9-6.0	1000
20247	GR5865W	SR-5865W	PA6 UL94V2	White	12.0	2.7	6.3	5.8	9.0	3.0-4.5	5.9-6.0	1000
20249	GR6060B	SR-6060B	PA6 UL94V2	Black	12.0	2.5	6.0	6.0	9.0	2.5-4.0	6.1-6.2	1000
20251	GR6060W	SR-6060W	PA6 UL94V2	White	12.0	2.5	6.0	6.0	9.0	2.5-4.0	6.1-6.2	1000
20253	GR6080B	SR-6080B	PA6 UL94V2	Black	12.0	3.0	8.0	6.0	10.0	3.5-5.5	6.1-6.2	1000
20255	GR6080W	SR-6080W	PA6 UL94V2	White	12.0	3.0	8.0	6.0	10.0	3.5-5.5	6.1-6.2	1000
21091	GR6026B	SR-6026B	PA6 UL94V2	Black	12.0	3.0	26.0	6.0	28.0	21.5-23.5	6.1-6.2	1000
21092	GR6026W	SR-6026W	PA6 UL94V2	White	12.0	3.0	26.0	6.0	28.0	21.5-23.5	6.1-6.2	1000
21097	GR6028B	SR-6028B	PA6 UL94V2	Black	12.0	3.0	28.5	6.0	30.5	23.5-25.5	6.1-6.2	1000
21098	GR6028W	SR-6028W	PA6 UL94V2	White	12.0	3.0	28.5	6.0	30.5	23.5-25.5	6.1-6.2	1000

Material: PA6 UL94V2 (GMS-10); PA66 UL94V0 (GMS-02)

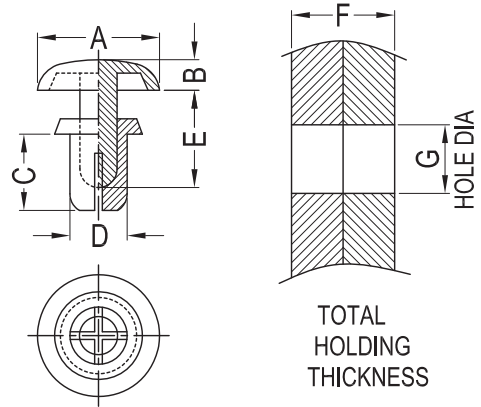


RIVETS AND PANEL FASTENERS

Snap Rivets GR35-60



GR35-60



Sizes in mm

P/N.	Article No.	Cross-Ref.	Material	Color	A	B	C	D	E	F	G	Packing Unit
20934	GR3055-SPBV0	-	PA66 UL94V0	Black	6.4	1.6	5.5	3.0	6.1	3.0-4.0	3.1-3.2	1000
20114	GR3535BV0	SRVO-3535B	PA66 UL94V0	Black	6.4	1.6	3.5	3.5	5.1	1.2-2.1	3.6-3.7	1000
20118	GR3545BV0	SRVO-3545B	PA66 UL94V0	Black	6.4	1.6	4.5	3.5	6.1	2.1-3.0	3.6-3.7	1000
20123	GR3550BV0	SRVO-3550B	PA66 UL94V0	Black	6.4	1.6	5.0	3.5	6.1	2.7-3.6	3.6-3.7	1000
20129	GR3555BV0	SRVO-3555B	PA66 UL94V0	Black	6.4	1.6	5.5	3.5	7.1	3.0-4.0	3.6-3.7	1000
20134	GR3560BV0	SRVO-3560B	PA66 UL94V0	Black	6.4	1.6	6.0	3.5	7.1	3.7-4.6	3.6-3.7	1000
20138	GR3570BV0	SRVO-3570B	PA66 UL94V0	Black	6.4	1.6	7.0	3.5	9.0	4.5-5.5	3.6-3.7	1000
20146	GR3580BV0	SRVO-3580B	PA66 UL94V0	Black	6.4	1.6	8.0	3.5	9.0	5.5-6.5	3.6-3.7	1000
20919	GR4040-SPBV0	-	PA66 UL94V0	Black	8.0	1.8	4.0	4.0	5.0	1.7-2.5	4.1-4.2	1000
20150	GR4050BV0	SRVO-4050B	PA66 UL94V0	Black	8.0	1.8	5.0	4.0	7.1	2.5-3.5	4.1-4.2	1000
20921	GR4055BV0	-	PA66 UL94V0	Black	8.0	1.8	5.5	4.0	7.1	3.0-4.0	4.1-4.2	1000
20163	GR4060BV0	SRVO-4060B	PA66 UL94V0	Black	8.0	1.8	6.0	4.0	7.1	3.5-4.5	4.1-4.2	1000
20173	GR4070BV0	SRVO-4070B	PA66 UL94V0	Black	8.0	1.8	7.0	4.0	9.0	4.5-5.5	4.1-4.2	1000
20180	GR4080BV0	SRVO-4080B	PA66 UL94V0	Black	8.0	1.8	8.0	4.0	9.0	5.5-6.5	4.1-4.2	1000
20184	GR4090BV0	SRVO-4090B	PA66 UL94V0	Black	8.0	1.8	9.0	4.0	11.0	6.5-7.5	4.1-4.2	1000
20191	GR4100BV0	SRVO-4100B	PA66 UL94V0	Black	8.0	1.8	10.0	4.0	11.0	7.5-8.5	4.1-4.2	1000
20198	GR4120BV0	SRVO-4120B	PA66 UL94V0	Black	8.0	1.8	12.0	4.0	14.0	9.0-10.5	4.1-4.2	1000
20749	GR4155BV0	SRVO-4155B	PA66 UL94V0	Black	8.0	1.8	15.5	4.0	16.6	12.5-14.0	4.1-4.2	1000
20203	GR5045BV0	SRVO-5045B	PA66 UL94V0	Black	9.0	2.2	4.5	5.0	6.5	1.5-2.5	5.1-5.2	1000
20207	GR5055BV0	SRVO-5055B	PA66 UL94V0	Black	9.0	2.2	5.5	5.0	6.5	2.5-3.5	5.1-5.2	1000
20211	GR5065BV0	SRVO-5065B	PA66 UL94V0	Black	9.0	2.2	6.5	5.0	8.5	3.5-4.5	5.1-5.2	1000
20222	GR5075BV0	SRVO-5075B	PA66 UL94V0	Black	9.0	2.2	7.5	5.0	8.5	4.5-5.5	5.1-5.2	1000
20232	GR5085BV0	SRVO-5085B	PA66 UL94V0	Black	9.0	2.2	8.5	5.0	10.5	5.5-6.5	5.1-5.2	1000
20238	GR5095BV0	SRVO-5095B	PA66 UL94V0	Black	9.0	2.2	9.5	5.0	10.5	6.5-7.5	5.1-5.2	1000
20242	GR5105BV0	SRVO-5105B	PA66 UL94V0	Black	9.0	2.2	10.5	5.0	12.0	7.5-8.5	5.1-5.2	1000
20246	GR5865BV0	SRVO-5865B	PA66 UL94V0	Black	12.0	2.7	6.3	5.8	9.0	3.0-4.5	5.9-6.0	1000
20250	GR6060BV0	SRVO-6060B	PA66 UL94V0	Black	12.0	2.5	6.0	6.0	9.0	2.5-4.0	6.1-6.2	1000
20254	GR6080BV0	SRVO-6080B	PA66 UL94V0	Black	12.0	3.0	8.0	6.0	10.0	3.5-5.5	6.1-6.2	1000
21093	GR6026BV0	SRVO-6026B	PA66 UL94V0	Black	12.0	3.0	26.0	6.0	28.0	21.5-23.5	6.1-6.2	1000
21099	GR6028BV0	SRVO-6028B	PA66 UL94V0	Black	12.0	3.0	28.5	6.0	30.5	23.5-25.5	6.1-6.2	1000

Material: PA6 UL94V2 (GMS-10); PA66 UL94V0 (GMS-02)



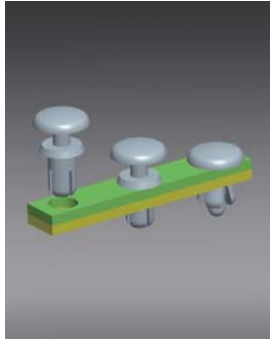
sales@sucatec.com



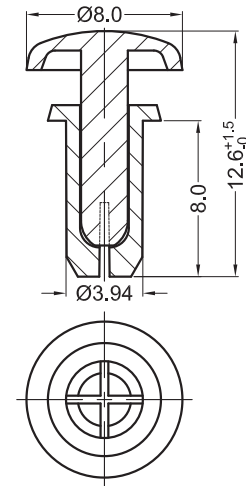
www.sucatec.com

RIVETS AND PANEL FASTENERS

Snap Rivets GR104800B



GR104800B



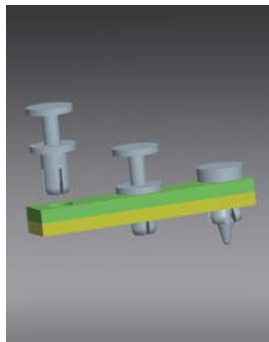
Hole: 4.1-4.2mm
Panel Thickness: 5.5-6.5mm

Sizes in mm

P/N.	Article No.	Material	Color	Packing Unit
20260	GR104800B	PA6 UL94V2	Black	1000

Material: PA6 UL94V2 (GMS-10)

Snap Rivets SRP



SRP

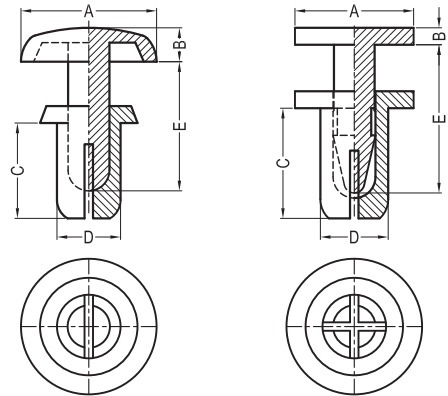


Fig.1

Fig.2

Sizes in mm

P/N.	Article No.	Cross-Ref.	Material	Color	A	B	C	D	E	Hole	Panel Thickness	FIG.	Packing Unit
20261	SRP3045B	SRP-3045B	PSU UL94HB	Black	6.4	1.6	4.5	3.0	6.1	3.1-3.2	2.0-3.0	1	1000
20262	SRP3055B	SRP-3055B	PSU UL94HB	Black	6.4	1.6	5.5	3.0	6.1	3.1-3.2	3.0-4.0	1	1000
20263	SRP4065B	SRP-4065B	PSU UL94HB	Black	7.0	1.0	6.5	4.0	11.0	4.1-4.2	4.0-5.0	2	1000
21418	SRP4200N	-	PSU UL94HB	Natural	8.0	1.9	20.0	4.0	19.9	4.1-4.2	15.0-17.0	1	1000

Material: PSU UL94HB (GMS-28)

RIVETS AND PANEL FASTENERS

Snap Rivets GRF - Shockproof

PATENT

GRF

Patent
Shockproof Version

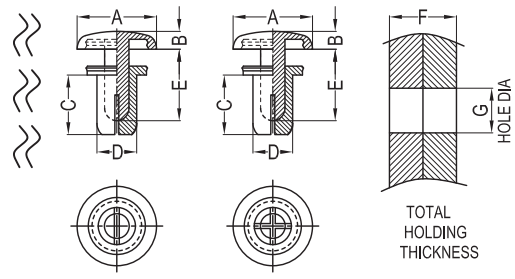


Fig.1

Fig.2

Sizes in mm

P/N.	Article No.	Material	Color	A	B	C	D	E	F	G	FIG.	Packing Unit
21577	GRF2024B	PA6 UL94V2	Black	4.2	1.2	2.4	2.0	2.8	0.6-1.2	2.1-2.2	1	1000
21575	GRF2024N	PA6 UL94V2	Natural	4.2	1.2	2.4	2.0	2.8	0.6-1.2	2.1-2.2	1	1000
21576	GRF2024W	PA6 UL94V2	White	4.2	1.2	2.4	2.0	2.8	0.6-1.2	2.1-2.2	1	1000
21578	GRF2024BV0	PA66 UL94V0	Black	4.2	1.2	2.4	2.0	2.8	0.6-1.2	2.1-2.2	1	1000
21259	GRF2032B	PA6 UL94V2	Black	4.2	1.2	3.2	2.0	3.8	1.3-2.0	2.1-2.2	1	1000
21261	GRF2032N	PA6 UL94V2	Natural	4.2	1.2	3.2	2.0	3.8	1.3-2.0	2.1-2.2	1	1000
21260	GRF2032W	PA6 UL94V2	White	4.2	1.2	3.2	2.0	3.8	1.3-2.0	2.1-2.2	1	1000
21263	GRF2032BV0	PA66 UL94V0	Black	4.2	1.2	3.2	2.0	3.8	1.3-2.0	2.1-2.2	1	1000
21582	GRF2040B	PA6 UL94V2	Black	4.2	1.2	4.0	2.0	5.5	2.1-2.8	2.1-2.2	1	1000
21580	GRF2040N	PA6 UL94V2	Natural	4.2	1.2	4.0	2.0	5.5	2.1-2.8	2.1-2.2	1	1000
21581	GRF2040W	PA6 UL94V2	White	4.2	1.2	4.0	2.0	5.5	2.1-2.8	2.1-2.2	1	1000
21583	GRF2040BV0	PA66 UL94V0	Black	4.2	1.2	4.0	2.0	5.5	2.1-2.8	2.1-2.2	1	1000
21587	GRF2048B	PA6 UL94V2	Black	4.2	1.2	4.8	2.0	5.5	2.9-3.6	2.1-2.2	1	1000
21585	GRF2048N	PA6 UL94V2	Natural	4.2	1.2	4.8	2.0	5.5	2.9-3.6	2.1-2.2	1	1000
21586	GRF2048W	PA6 UL94V2	White	4.2	1.2	4.8	2.0	5.5	2.9-3.6	2.1-2.2	1	1000
21588	GRF2048BV0	PA66 UL94V0	Black	4.2	1.2	4.8	2.0	5.5	2.9-3.6	2.1-2.2	1	1000
21492	GRF2056B	PA6 UL94V2	Black	4.2	1.2	5.6	2.0	6.2	3.7-4.4	2.1-2.2	1	1000
21493	GRF2056N	PA6 UL94V2	Natural	4.2	1.2	5.6	2.0	6.2	3.7-4.4	2.1-2.2	1	1000
21494	GRF2056W	PA6 UL94V2	White	4.2	1.2	5.6	2.0	6.2	3.7-4.4	2.1-2.2	1	1000
21495	GRF2056BV0	PA66 UL94V0	Black	4.2	1.2	5.6	2.0	6.2	3.7-4.4	2.1-2.2	1	1000
21592	GRF2064B	PA6 UL94V2	Black	4.2	1.2	6.4	2.0	7.2	4.4-5.2	2.1-2.2	1	1000
21590	GRF2064N	PA6 UL94V2	Natural	4.2	1.2	6.4	2.0	7.2	4.4-5.2	2.1-2.2	1	1000
21591	GRF2064W	PA6 UL94V2	White	4.2	1.2	6.4	2.0	7.2	4.4-5.2	2.1-2.2	1	1000
21593	GRF2064BV0	PA66 UL94V0	Black	4.2	1.2	6.4	2.0	7.2	4.4-5.2	2.1-2.2	1	1000
21597	GRF2632B	PA6 UL94V2	Black	5.0	1.4	3.2	2.6	4.6	1.0-2.0	2.7-2.8	1	1000
21595	GRF2632N	PA6 UL94V2	Natural	5.0	1.4	3.2	2.6	4.6	1.0-2.0	2.7-2.8	1	1000
21596	GRF2632W	PA6 UL94V2	White	5.0	1.4	3.2	2.6	4.6	1.0-2.0	2.7-2.8	1	1000
21598	GRF2632BV0	PA66 UL94V0	Black	5.0	1.4	3.2	2.6	4.6	1.0-2.0	2.7-2.8	1	1000
21460	GRF2642B	PA6 UL94V2	Black	5.0	1.4	4.2	2.6	4.6	2.0-3.0	2.7-2.8	1	1000
21462	GRF2642N	PA6 UL94V2	Natural	5.0	1.4	4.2	2.6	4.6	2.0-3.0	2.7-2.8	1	1000
21461	GRF2642W	PA6 UL94V2	White	5.0	1.4	4.2	2.6	4.6	2.0-3.0	2.7-2.8	1	1000
21464	GRF2642BV0	PA66 UL94V0	Black	5.0	1.4	4.2	2.6	4.6	2.0-3.0	2.7-2.8	1	1000
21602	GRF2648B	PA6 UL94V2	Black	5.0	1.4	4.8	2.6	6.2	2.7-3.6	2.7-2.8	1	1000
21600	GRF2648N	PA6 UL94V2	Natural	5.0	1.4	4.8	2.6	6.2	2.7-3.6	2.7-2.8	1	1000
21601	GRF2648W	PA6 UL94V2	White	5.0	1.4	4.8	2.6	6.2	2.7-3.6	2.7-2.8	1	1000
21603	GRF2648BV0	PA66 UL94V0	Black	5.0	1.4	4.8	2.6	6.2	2.7-3.6	2.7-2.8	1	1000
21343	GRF2655B	PA6 UL94V2	Black	5.0	1.4	5.5	2.6	6.2	3.4-4.3	2.7-2.8	1	1000
21345	GRF2655N	PA6 UL94V2	Natural	5.0	1.4	5.5	2.6	6.2	3.4-4.3	2.7-2.8	1	1000
21344	GRF2655W	PA6 UL94V2	White	5.0	1.4	5.5	2.6	6.2	3.4-4.3	2.7-2.8	1	1000
21347	GRF2655BV0	PA66 UL94V0	Black	5.0	1.4	5.5	2.6	6.2	3.4-4.3	2.7-2.8	1	1000
21607	GRF2664B	PA6 UL94V2	Black	5.0	1.4	6.4	2.6	7.8	4.3-5.2	2.7-2.8	1	1000
21605	GRF2664N	PA6 UL94V2	Natural	5.0	1.4	6.4	2.6	7.8	4.3-5.2	2.7-2.8	1	1000
21606	GRF2664W	PA6 UL94V2	White	5.0	1.4	6.4	2.6	7.8	4.3-5.2	2.7-2.8	1	1000
21608	GRF2664BV0	PA66 UL94V0	Black	5.0	1.4	6.4	2.6	7.8	4.3-5.2	2.7-2.8	1	1000
21612	GRF2672B	PA6 UL94V2	Black	5.0	1.4	7.2	2.6	7.8	5.1-6.0	2.7-2.8	1	1000

Material: PA6 UL94V2 (GMS-10); PA66 UL94V0 (GMS-02)



sales@sucatec.com



www.sucatec.com

RIVETS AND PANEL FASTENERS

Snap Rivets GRF - Shockproof

PATENT



GRF

Patent
Shockproof Version

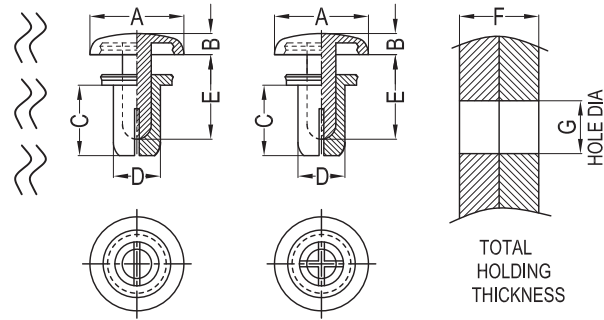


Fig.1

Fig.2

Sizes in mm

P/N.	Article No.	Material	Color	A	B	C	D	E	F	G	FIG.	Packing Unit
21233	GRF3065B	PA6 UL94V2	Black	6.4	1.7	6.5	3.0	7.1	4.0-5.0	3.1-3.2	1	1000
21235	GRF3065N	PA6 UL94V2	Natural	6.4	1.7	6.5	3.0	7.1	4.0-5.0	3.1-3.2	1	1000
21234	GRF3065W	PA6 UL94V2	White	6.4	1.7	6.5	3.0	7.1	4.0-5.0	3.1-3.2	1	1000
21237	GRF3065BV0	PA66 UL94V0	Black	6.4	1.7	6.5	3.0	7.1	4.0-5.0	3.1-3.2	1	1000
21264	GRF3075B	PA6 UL94V2	Black	6.4	1.7	7.5	3.0	9.0	5.0-6.0	3.1-3.2	1	1000
21266	GRF3075N	PA6 UL94V2	Natural	6.4	1.7	7.5	3.0	9.0	5.0-6.0	3.1-3.2	1	1000
21265	GRF3075W	PA6 UL94V2	White	6.4	1.7	7.5	3.0	9.0	5.0-6.0	3.1-3.2	1	1000
21268	GRF3075BV0	PA66 UL94V0	Black	6.4	1.7	7.5	3.0	9.0	5.0-6.0	3.1-3.2	1	1000
21354	GRF3080B	PA6 UL94V2	Black	6.4	1.7	8.0	3.0	9.0	5.5-6.5	3.1-3.2	1	1000
21356	GRF3080N	PA6 UL94V2	Natural	6.4	1.7	8.0	3.0	9.0	5.5-6.5	3.1-3.2	1	1000
21355	GRF3080W	PA6 UL94V2	White	6.4	1.7	8.0	3.0	9.0	5.5-6.5	3.1-3.2	1	1000
21358	GRF3080BV0	PA66 UL94V0	Black	6.4	1.7	8.0	3.0	9.0	5.5-6.5	3.1-3.2	1	1000
21367	GRF3090B	PA6 UL94V2	Black	6.4	1.7	9.0	3.0	11.0	6.5-7.5	3.1-3.2	1	1000
21369	GRF3090N	PA6 UL94V2	Natural	6.4	1.7	9.0	3.0	11.0	6.5-7.5	3.1-3.2	1	1000
21368	GRF3090W	PA6 UL94V2	White	6.4	1.7	9.0	3.0	11.0	6.5-7.5	3.1-3.2	1	1000
21371	GRF3090BV0	PA66 UL94V0	Black	6.4	1.7	9.0	3.0	11.0	6.5-7.5	3.1-3.2	1	1000
21274	GRF3100B	PA6 UL94V2	Black	6.4	1.7	10.0	3.0	11.0	7.5-8.5	3.1-3.2	1	1000
21276	GRF3100N	PA6 UL94V2	Natural	6.4	1.7	10.0	3.0	11.0	7.5-8.5	3.1-3.2	1	1000
21275	GRF3100W	PA6 UL94V2	White	6.4	1.7	10.0	3.0	11.0	7.5-8.5	3.1-3.2	1	1000
21278	GRF3100BV0	PA66 UL94V0	Black	6.4	1.7	10.0	3.0	11.0	7.5-8.5	3.1-3.2	1	1000
21475	GRF3555B	PA6 UL94V2	Black	6.4	1.7	5.5	3.5	7.1	3.1-4.1	3.6-3.7	2	1000
21470	GRF3555N	PA6 UL94V2	Natural	6.4	1.7	5.5	3.5	7.1	3.1-4.1	3.6-3.7	2	1000
21469	GRF3555W	PA6 UL94V2	White	6.4	1.7	5.5	3.5	7.1	3.1-4.1	3.6-3.7	2	1000
21472	GRF3555BV0	PA66 UL94V0	Black	6.4	1.7	5.5	3.5	7.1	3.1-4.1	3.6-3.7	2	1000
21250	GRF3560B	PA6 UL94V2	Black	6.4	1.7	6.0	3.5	7.1	3.7-4.6	3.6-3.7	2	1000
21252	GRF3560N	PA6 UL94V2	Natural	6.4	1.7	6.0	3.5	7.1	3.7-4.6	3.6-3.7	2	1000
21251	GRF3560W	PA6 UL94V2	White	6.4	1.7	6.0	3.5	7.1	3.7-4.6	3.6-3.7	2	1000
21254	GRF3560BV0	PA66 UL94V0	Black	6.4	1.7	6.0	3.5	7.1	3.7-4.6	3.6-3.7	2	1000
21269	GRF3580B	PA6 UL94V2	Black	6.4	1.7	8.0	3.5	9.0	5.5-6.5	3.6-3.7	2	1000
21271	GRF3580N	PA6 UL94V2	Natural	6.4	1.7	8.0	3.5	9.0	5.5-6.5	3.6-3.7	2	1000

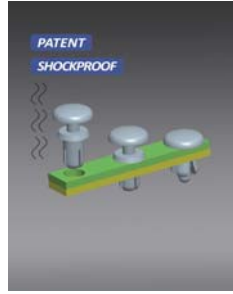
Material: PA6 UL94V2 (GMS-10); PA66 UL94V0 (GMS-02)



RIVETS AND PANEL FASTENERS

Snap Rivets GRF - Shockproof

PATENT



GRF
Patent
Shockproof Version

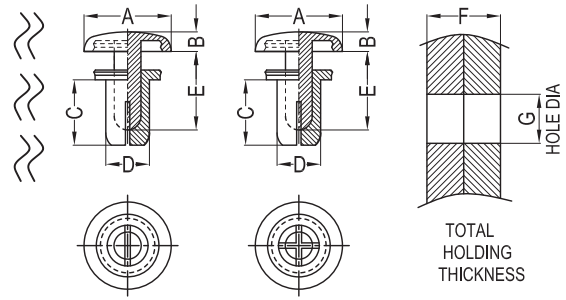


Fig.1

Fig.2

Sizes in mm

P/N.	Article No.	Material	Color	A	B	C	D	E	F	G	FIG.	Packing Unit
21270	GRF3580W	PA6 UL94V2	White	6.4	1.7	8.0	3.5	9.0	4.5-5.5	3.6-3.7	2	1000
21273	GRF3580BV0	PA66 UL94V0	Black	6.4	1.7	8.0	3.5	9.0	4.5-5.5	3.6-3.7	2	1000
21279	GRF4040B	PA6 UL94V2	Black	8.0	1.8	4.0	4.0	5.1	1.7-2.5	4.1-4.2	2	1000
21281	GRF4040N	PA6 UL94V2	Natural	8.0	1.8	4.0	4.0	5.1	1.7-2.5	4.1-4.2	2	1000
21280	GRF4040W	PA6 UL94V2	White	8.0	1.8	4.0	4.0	5.1	1.7-2.5	4.1-4.2	2	1000
21283	GRF4040BV0	PA66 UL94V0	Black	8.0	1.8	4.0	4.0	5.1	1.7-2.5	4.1-4.2	2	1000
21500	GRF4050B	PA6 UL94V2	Black	8.0	1.8	5.5	5.0	7.1	2.5-3.5	4.1-4.2	2	1000
21502	GRF4050N	PA6 UL94V2	Natural	8.0	1.8	5.5	5.0	7.1	2.5-3.5	4.1-4.2	2	1000
21501	GRF4050W	PA6 UL94V2	White	8.0	1.8	5.5	5.0	7.1	2.5-3.5	4.1-4.2	2	1000
21503	GRF4050BV0	PA66 UL94V0	Black	8.0	1.8	5.5	5.0	7.1	2.5-3.5	4.1-4.2	2	1000
21422	GRF4055B	PA6 UL94V2	Black	8.0	1.8	5.5	4.0	7.1	3.0-4.0	4.1-4.2	2	1000
21424	GRF4055N	PA6 UL94V2	Natural	8.0	1.8	5.5	4.0	7.1	3.0-4.0	4.1-4.2	2	1000
21423	GRF4055W	PA6 UL94V2	White	8.0	1.8	5.5	4.0	7.1	3.0-4.0	4.1-4.2	2	1000
21425	GRF4055BV0	PA66 UL94V0	Black	8.0	1.8	5.5	4.0	7.1	3.0-4.0	4.1-4.2	2	1000
21429	GRF4060B	PA6 UL94V2	Black	8.0	1.8	6.0	4.0	7.1	3.5-4.5	4.1-4.2	2	1000
21431	GRF4060N	PA6 UL94V2	Natural	8.0	1.8	6.0	4.0	7.1	3.5-4.5	4.1-4.2	2	1000
21430	GRF4060W	PA6 UL94V2	White	8.0	1.8	6.0	4.0	7.1	3.5-4.5	4.1-4.2	2	1000
21432	GRF4060BV0	PA66 UL94V0	Black	8.0	1.8	6.0	4.0	7.1	3.5-4.5	4.1-4.2	2	1000
21173	GRF4070B	PA6 UL94V2	Black	8.0	1.8	7.0	4.0	9.0	4.5-5.5	4.1-4.2	2	1000
21204	GRF4070N	PA6 UL94V2	Natural	8.0	1.8	7.0	4.0	9.0	4.5-5.5	4.1-4.2	2	1000
21205	GRF4070W	PA6 UL94V2	White	8.0	1.8	7.0	4.0	9.0	4.5-5.5	4.1-4.2	2	1000
21201	GRF4070BV0	PA66 UL94V0	Black	8.0	1.8	7.0	4.0	9.0	4.5-5.5	4.1-4.2	2	1000
21050	GRF4080B	PA6 UL94V2	Black	8.0	1.8	8.0	4.0	9.0	5.5-6.5	4.1-4.2	2	1000
21051	GRF4080N	PA6 UL94V2	Natural	8.0	1.8	8.0	4.0	9.0	5.5-6.5	4.1-4.2	2	1000
21180	GRF4080W	PA6 UL94V2	White	8.0	1.8	8.0	4.0	9.0	5.5-6.5	4.1-4.2	2	1000
21193	GRF4080BV0	PA66 UL94V0	Black	8.0	1.8	8.0	4.0	9.0	5.5-6.5	4.1-4.2	2	1000
21008	GRF4090B	PA6 UL94V2	Black	8.0	1.8	9.0	4.0	11.0	6.5-7.5	4.1-4.2	2	1000
21054	GRF4090N	PA6 UL94V2	Natural	8.0	1.8	9.0	4.0	11.0	6.5-7.5	4.1-4.2	2	1000
21181	GRF4090W	PA6 UL94V2	White	8.0	1.8	9.0	4.0	11.0	6.5-7.5	4.1-4.2	2	1000
21194	GRF4090BV0	PA66 UL94V0	Black	8.0	1.8	9.0	4.0	11.0	6.5-7.5	4.1-4.2	2	1000
21048	GRF4100B	PA6 UL94V2	Black	8.0	1.8	10.0	4.0	11.0	7.5-8.5	4.1-4.2	2	1000
21049	GRF4100N	PA6 UL94V2	Natural	8.0	1.8	10.0	4.0	11.0	7.5-8.5	4.1-4.2	2	1000
21182	GRF4100W	PA6 UL94V2	White	8.0	1.8	10.0	4.0	11.0	7.5-8.5	4.1-4.2	2	1000
21195	GRF4100BV0	PA66 UL94V0	Black	8.0	1.8	10.0	4.0	11.0	7.5-8.5	4.1-4.2	2	1000
21284	GRF4120B	PA6 UL94V2	Black	8.0	1.8	12.0	4.0	14.0	9.0-10.5	4.1-4.2	2	1000
21286	GRF4120N	PA6 UL94V2	Natural	8.0	1.8	12.0	4.0	14.0	9.0-10.5	4.1-4.2	2	1000
21285	GRF4120W	PA6 UL94V2	White	8.0	1.8	12.0	4.0	14.0	9.0-10.5	4.1-4.2	2	1000
21288	GRF4120BV0	PA66 UL94V0	Black	8.0	1.8	12.0	4.0	14.0	9.0-10.5	4.1-4.2	2	1000
21362	GRF4155B	PA6 UL94V2	Black	8.0	1.8	15.5	4.0	16.6	12.5-14.0	4.1-4.2	2	1000
21364	GRF4155N	PA6 UL94V2	Natural	8.0	1.8	15.5	4.0	16.6	12.5-14.0	4.1-4.2	2	1000
21363	GRF4155W	PA6 UL94V2	White	8.0	1.8	15.5	4.0	16.6	12.5-14.0	4.1-4.2	2	1000
21366	GRF4155BV0	PA66 UL94V0	Black	8.0	1.8	15.5	4.0	16.6	12.5-14.0	4.1-4.2	2	1000
21304	GRF5045B	PA6 UL94V2	Black	9.0	2.2	4.5	5.0	6.5	1.5-2.5	5.1-5.2	2	1000
21306	GRF5045N	PA6 UL94V2	Natural	9.0	2.2	4.5	5.0	6.5	1.5-2.5	5.1-5.2	2	1000
21305	GRF5045W	PA6 UL94V2	White	9.0	2.2	4.5	5.0	6.5	1.5-2.5	5.1-5.2	2	1000

Material: PA6 UL94V2 (GMS-10); PA66 UL94V0 (GMS-02)



sales@sucatec.com

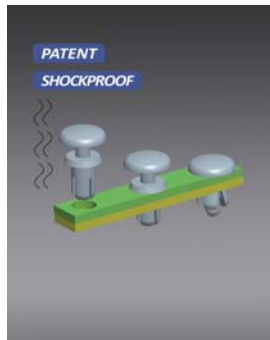


www.sucatec.com

RIVETS AND PANEL FASTENERS

Snap Rivets GRF - Shockproof

PATENT



GRF

Patent
Shockproof Version

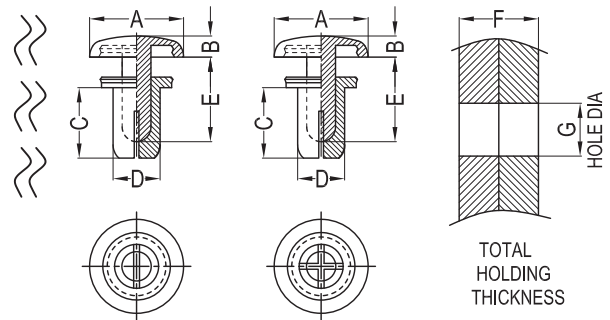


Fig.1

Fig.2

Sizes in mm

P/N.	Article No.	Material	Color	A	B	C	D	E	F	G	FIG.	Packing Unit
21308	GRF5045BV0	PA66 UL94V0	Black	9.0	2.2	4.5	5.0	6.5	1.5-2.5	5.1-5.2	2	1000
21309	GRF5055B	PA6 UL94V2	Black	9.0	2.2	5.5	5.0	6.5	2.5-3.5	5.1-5.2	2	1000
21311	GRF5055N	PA6 UL94V2	Natural	9.0	2.2	5.5	5.0	6.5	2.5-3.5	5.1-5.2	2	1000
21310	GRF5055W	PA6 UL94V2	White	9.0	2.2	5.5	5.0	6.5	2.5-3.5	5.1-5.2	2	1000
21313	GRF5055BV0	PA66 UL94V0	Black	9.0	2.2	5.5	5.0	6.5	2.5-3.5	5.1-5.2	2	1000
21223	GRF5065B	PA6 UL94V2	Black	9.0	2.2	6.5	5.0	8.5	3.5-4.5	5.1-5.2	2	1000
21225	GRF5065N	PA6 UL94V2	Natural	9.0	2.2	6.5	5.0	8.5	3.5-4.5	5.1-5.2	2	1000
21224	GRF5065W	PA6 UL94V2	White	9.0	2.2	6.5	5.0	8.5	3.5-4.5	5.1-5.2	2	1000
21227	GRF5065BV0	PA66 UL94V0	Black	9.0	2.2	6.5	5.0	8.5	3.5-4.5	5.1-5.2	2	1000
21228	GRF5075B	PA6 UL94V2	Black	9.0	2.2	7.5	5.0	8.5	4.5-5.5	5.1-5.2	2	1000
21230	GRF5075N	PA6 UL94V2	Natural	9.0	2.2	7.5	5.0	8.5	4.5-5.5	5.1-5.2	2	1000
21229	GRF5075W	PA6 UL94V2	White	9.0	2.2	7.5	5.0	8.5	4.5-5.5	5.1-5.2	2	1000
21232	GRF5075BV0	PA66 UL94V0	Black	9.0	2.2	7.5	5.0	8.5	4.5-5.5	5.1-5.2	2	1000
21292	GRF5085B	PA6 UL94V2	Black	9.0	2.2	8.5	5.0	10.5	5.5-6.5	5.1-5.2	2	1000
21294	GRF5085N	PA6 UL94V2	Natural	9.0	2.2	8.5	5.0	10.5	5.5-6.5	5.1-5.2	2	1000
21293	GRF5085W	PA6 UL94V2	White	9.0	2.2	8.5	5.0	10.5	5.5-6.5	5.1-5.2	2	1000
21296	GRF5085BV0	PA66 UL94V0	Black	9.0	2.2	8.5	5.0	10.5	5.5-6.5	5.1-5.2	2	1000
21297	GRF5095B	PA6 UL94V2	Black	9.0	2.2	9.5	5.0	10.5	6.5-7.5	5.1-5.2	2	1000
21299	GRF5095N	PA6 UL94V2	Natural	9.0	2.2	9.5	5.0	10.5	6.5-7.5	5.1-5.2	2	1000
21298	GRF5095W	PA6 UL94V2	White	9.0	2.2	9.5	5.0	10.5	6.5-7.5	5.1-5.2	2	1000
21301	GRF5095BV0	PA66 UL94V0	Black	9.0	2.2	9.5	5.0	10.5	6.5-7.5	5.1-5.2	2	1000
21094	GRF5105B	PA6 UL94V2	Black	9.0	2.2	10.5	5.0	12.0	7.5-8.5	5.1-5.2	2	1000
21102	GRF5105N	PA6 UL94V2	Natural	9.0	2.2	10.5	5.0	12.0	7.5-8.5	5.1-5.2	2	1000
21183	GRF5105W	PA6 UL94V2	White	9.0	2.2	10.5	5.0	12.0	7.5-8.5	5.1-5.2	2	1000
21196	GRF5105BV0	PA66 UL94V0	Black	9.0	2.2	10.5	5.0	12.0	7.5-8.5	5.1-5.2	2	1000
21095	GRF5865B	PA6 UL94V2	Black	12.0	2.7	6.3	5.8	9.0	3.0-4.5	5.9-6.0	2	1000
21103	GRF5865N	PA6 UL94V2	Natural	12.0	2.7	6.3	5.8	9.0	3.0-4.5	5.9-6.0	2	1000
21184	GRF5865W	PA6 UL94V2	White	12.0	2.7	6.3	5.8	9.0	3.0-4.5	5.9-6.0	2	1000
21197	GRF5865BV0	PA66 UL94V0	Black	12.0	2.7	6.3	5.8	9.0	3.0-4.5	5.9-6.0	2	1000
21100	GRF6060B	PA6 UL94V2	Black	12.0	2.5	6.0	6.0	9.0	2.5-4.0	6.1-6.2	2	1000
21104	GRF6060N	PA6 UL94V2	Natural	12.0	2.5	6.0	6.0	9.0	2.5-4.0	6.1-6.2	2	1000
21185	GRF6060W	PA6 UL94V2	White	12.0	2.5	6.0	6.0	9.0	2.5-4.0	6.1-6.2	2	1000
21198	GRF6060BV0	PA66 UL94V0	Black	12.0	2.5	6.0	6.0	9.0	2.5-4.0	6.1-6.2	2	1000
21101	GRF6080B	PA6 UL94V2	Black	12.0	3.0	8.0	6.0	10.0	3.5-5.5	6.1-6.2	2	1000
21105	GRF6080N	PA6 UL94V2	Natural	12.0	3.0	8.0	6.0	10.0	3.5-5.5	6.1-6.2	2	1000
21186	GRF6080W	PA6 UL94V2	White	12.0	3.0	8.0	6.0	10.0	3.5-5.5	6.1-6.2	2	1000
21199	GRF6080BV0	PA66 UL94V0	Black	12.0	3.0	8.0	6.0	10.0	3.5-5.5	6.1-6.2	2	1000
21483	GRF6140B	PA6 UL94V2	Black	12.0	3.0	14.0	6.0	14.0	7.5-8.5	6.1-6.2	2	1000
21485	GRF6140N	PA6 UL94V2	Natural	12.0	3.0	14.0	6.0	14.0	7.5-8.5	6.1-6.2	2	1000
21484	GRF6140W	PA6 UL94V2	White	12.0	3.0	14.0	6.0	14.0	7.5-8.5	6.1-6.2	2	1000
21486	GRF6140BV0	PA66 UL94V0	Black	12.0	3.0	14.0	6.0	14.0	7.5-8.5	6.1-6.2	2	1000

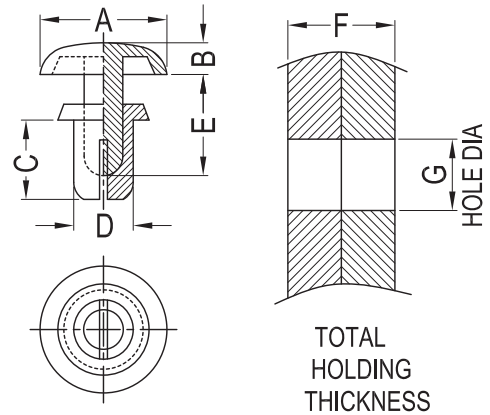
Material: PA6 UL94V2 (GMS-10); PA66 UL94V0 (GMS-02)



RIVETS AND PANEL FASTENERS

Push Rivets GRHR20-32

GRHR20-32



Sizes in mm

P/N.	Article No.	Cross-Ref.	Material	Color	A	B	C	D	E	F	G	Packing Unit
20003	GRHR2024	SRHR-2024	PA46 UL94V2	Tan	4.2	1.2	2.4	2.0	2.8	0.6-1.2	2.1-2.2	1000
20007	GRHR2032	SRHR-2032	PA46 UL94V2	Tan	4.2	1.2	3.2	2.0	3.8	1.3-2.0	2.1-2.2	1000
20011	GRHR2040	SRHR-2040	PA46 UL94V2	Tan	4.2	1.2	4.0	2.0	5.5	2.1-2.8	2.1-2.2	1000
20015	GRHR2048	SRHR-2048	PA46 UL94V2	Tan	4.2	1.2	4.8	2.0	5.5	2.9-3.6	2.1-2.2	1000
20019	GRHR2056	SRHR-2056	PA46 UL94V2	Tan	4.2	1.2	5.6	2.0	7.2	3.7-4.4	2.1-2.2	1000
20023	GRHR2064	SRHR-2064	PA46 UL94V2	Tan	4.2	1.2	6.4	2.0	7.2	4.4-5.2	2.1-2.2	1000
20027	GRHR2632	SRHR-2632	PA46 UL94V2	Tan	5.0	1.4	3.2	2.6	4.6	1.0-2.0	2.7-2.8	1000
20035	GRHR2642	SRHR-2642	PA46 UL94V2	Tan	5.0	1.4	4.2	2.6	4.6	2.0-3.0	2.7-2.8	1000
20040	GRHR2648	SRHR-2648	PA46 UL94V2	Tan	5.0	1.4	4.8	2.6	6.2	2.7-3.6	2.7-2.8	1000
20044	GRHR2655	SRHR-2655	PA46 UL94V2	Tan	5.0	1.4	5.5	2.6	6.2	3.4-4.3	2.7-2.8	1000
20048	GRHR2664	SRHR-2664	PA46 UL94V2	Tan	5.0	1.4	6.4	2.6	7.8	4.3-5.2	2.7-2.8	1000
20052	GRHR2672	SRHR-2672	PA46 UL94V2	Tan	5.0	1.4	7.2	2.6	7.8	5.1-6.0	2.7-2.8	1000
20056	GRHR3035	SRHR-3035	PA46 UL94V2	Tan	6.4	1.6	3.5	3.0	5.1	1.0-2.0	3.1-3.2	1000
20061	GRHR3045	SRHR-3045	PA46 UL94V2	Tan	6.4	1.6	4.5	3.0	6.1	2.0-3.0	3.1-3.2	1000
21488	GRHR3050	SRHR3050	PA46 UL94V2	Tan	6.4	1.6	5.0	3.0	6.1	2.5-3.5	3.1-3.2	1000
20070	GRHR3055	SRHR-3055	PA46 UL94V2	Tan	6.4	1.6	5.5	3.0	6.1	3.0-4.0	3.1-3.2	1000
20074	GRHR3065	SRHR-3065	PA46 UL94V2	Tan	6.4	1.6	6.5	3.0	7.1	4.0-5.0	3.1-3.2	1000
20082	GRHR3075	SRHR-3075	PA46 UL94V2	Tan	6.4	1.6	7.5	3.0	9.0	5.0-6.0	3.1-3.2	1000
20095	GRHR3080	SRHR-3080	PA46 UL94V2	Tan	6.4	1.6	8.0	3.0	9.0	5.5-6.5	3.1-3.2	1000
20103	GRHR3090	SRHR-3090	PA46 UL94V2	Tan	6.4	1.6	9.0	3.0	11.0	6.5-7.5	3.1-3.2	1000
20107	GRHR3100	SRHR-3100	PA46 UL94V2	Tan	6.4	1.6	10.0	3.0	11.0	7.5-8.5	3.1-3.2	1000
21640	GRHR3145	-	PA46 UL94V2	Tan	6.4	1.6	14.5	3.0	15.5	11.5-13.0	3.1-3.2	1000
20112	GRHR3230	-	PA46 UL94V2	Tan	6.4	1.6	23.0	3.0	24.0	20.5-21.5	3.1-3.2	1000

Material: PA46 UL94V2 (GMS-07)



sales@sucatec.com



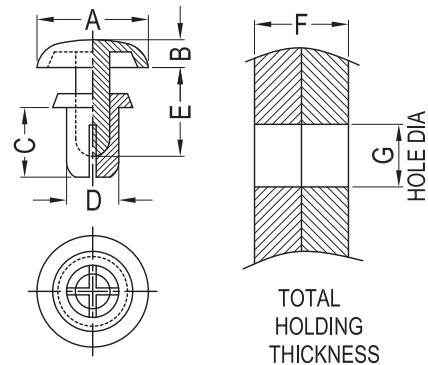
www.sucatec.com

RIVETS AND PANEL FASTENERS

Push Rivets GRHR35-60



GRHR35-60



Sizes in mm

P/N.	Article No.	Cross-Ref.	Material	Color	A	B	C	D	E	F	G	Packing Unit
21136	GRHR3055-SP	-	PA46 UL94V2	Tan	6.4	1.6	5.5	3.0	6.1	3.0-4.0	3.1-3.2	1000
20116	GRHR3535	SRHR-3535	PA46 UL94V2	Tan	6.4	1.6	3.5	3.5	5.1	1.2-2.1	3.6-3.7	1000
20120	GRHR3545	SRHR-3545	PA46 UL94V2	Tan	6.4	1.6	4.5	3.5	6.1	2.1-3.0	3.6-3.7	1000
20125	GRHR3550	SRHR-3550	PA46 UL94V2	Tan	6.4	1.6	5.0	3.5	6.1	2.7-3.6	3.6-3.7	1000
20131	GRHR3555	SRHR-3555	PA46 UL94V2	Tan	6.4	1.6	5.5	3.5	7.1	3.0-4.0	3.6-3.7	1000
20136	GRHR3560	SRHR-3560	PA46 UL94V2	Tan	6.4	1.6	6.0	3.5	7.1	3.7-4.6	3.6-3.7	1000
20140	GRHR3570	SRHR-3570	PA46 UL94V2	Tan	6.4	1.6	7.0	3.5	9.0	4.5-5.5	3.6-3.7	1000
20148	GRHR3580	SRHR-3580	PA46 UL94V2	Tan	6.4	1.6	8.0	3.5	9.0	5.5-6.5	3.6-3.7	1000
20973	GRHR4040	-	PA46 UL94V2	Tan	8.0	1.8	4.0	4.0	5.0	1.7-2.5	4.1-4.2	1000
20152	GRHR4050	SRHR-4050	PA46 UL94V2	Tan	8.0	1.8	5.0	4.0	7.1	2.5-3.5	4.1-4.2	1000
21641	GRHR4055	-	PA46 UL94V2	Tan	8.0	1.8	5.5	4.0	7.1	3.0-4.0	4.1-4.2	1000
20165	GRHR4060	SRHR-4060	PA46 UL94V2	Tan	8.0	1.8	6.0	4.0	7.1	3.5-4.5	4.1-4.2	1000
20175	GRHR4070	SRHR-4070	PA46 UL94V2	Tan	8.0	1.8	7.0	4.0	9.0	4.5-5.5	4.1-4.2	1000
20182	GRHR4080	SRHR-4080	PA46 UL94V2	Tan	8.0	1.8	8.0	4.0	9.0	5.5-6.5	4.1-4.2	1000
20186	GRHR4090	SRHR-4090	PA46 UL94V2	Tan	8.0	1.8	9.0	4.0	11.0	6.5-7.5	4.1-4.2	1000
20193	GRHR4100	SRHR-4100	PA46 UL94V2	Tan	8.0	1.8	10.0	4.0	11.0	7.5-8.5	4.1-4.2	1000
20200	GRHR4120	SRHR-4120	PA46 UL94V2	Tan	8.0	1.8	12.0	4.0	14.0	9.0-10.5	4.1-4.2	1000
21359	GRHR4155	SRHR4155	PA46 UL94V2	Tan	8.0	1.8	15.5	4.0	16.6	12.5-14.0	4.1-4.2	1000
20205	GRHR5045	SRHR-5045	PA46 UL94V2	Tan	9.0	2.2	4.5	5.0	6.5	1.5-2.5	5.1-5.2	1000
20209	GRHR5055	SRHR-5055	PA46 UL94V2	Tan	9.0	2.2	5.5	5.0	6.5	2.5-3.5	5.1-5.2	1000
20213	GRHR5065	SRHR-5065	PA46 UL94V2	Tan	9.0	2.2	6.5	5.0	8.5	3.5-4.5	5.1-5.2	1000
20224	GRHR5075	SRHR-5075	PA46 UL94V2	Tan	9.0	2.2	7.5	5.0	8.5	4.5-5.5	5.1-5.2	1000
20234	GRHR5085	SRHR-5085	PA46 UL94V2	Tan	9.0	2.2	8.5	5.0	10.5	5.5-6.5	5.1-5.2	1000
20240	GRHR5095	SRHR-5095	PA46 UL94V2	Tan	9.0	2.2	9.5	5.0	10.5	6.5-7.5	5.1-5.2	1000
20244	GRHR5105	SRHR-5105	PA46 UL94V2	Tan	9.0	2.2	10.5	5.0	12.0	7.5-8.5	5.1-5.2	1000
20248	GRHR5865	SRHR-5865	PA46 UL94V2	Tan	12.0	2.7	6.3	5.8	9.0	3.0-4.5	5.9-6.0	1000
20937	GRHR6060	SRHR-6060	PA46 UL94V2	Tan	12.0	2.5	6.0	6.0	9.0	2.5-4.0	6.1-6.2	1000
20256	GRHR6080	SRHR-6080	PA46 UL94V2	Tan	12.0	3.0	8.0	6.0	10.0	4.0-5.5	6.1-6.2	1000
21137	GRHR6026	SRHR-6026	PA46 UL94V2	Tan	12.0	3.0	26.0	6.0	28.0	21.5-23.5	6.1-6.2	1000
21642	GRHR6028	SRHR-6028	PA46 UL94V2	Tan	12.0	3.0	28.5	6.0	30.5	23.5-25.5	6.1-6.2	1000

Material: PA46 UL94V2 (GMS-07)

RIVETS AND PANEL FASTENERS

Push Rivets

GRHRF20-60 - Shockproof

PATENT

GRHRF20-60

Patent
Shockproof Version

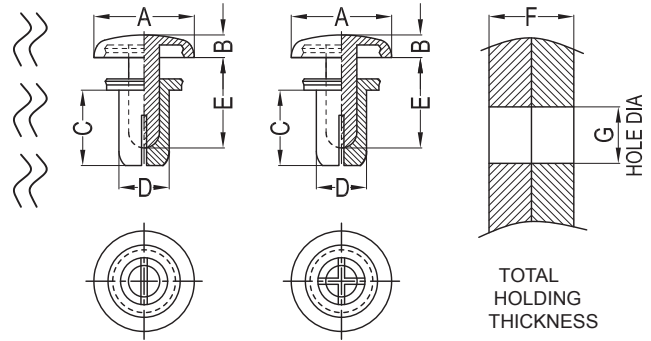
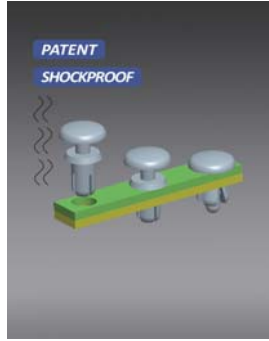


Fig.1

Fig.2

Sizes in mm

P/N.	Article No.	Material	Color	A	B	C	D	E	F	G	FIG.	Packing Unit
21579	GRHRF2024	PA46 UL94V2	Tan	4.2	1.2	2.4	2.0	2.8	0.6-1.2	2.1-2.2	1	1000
21262	GRHRF2032	PA46 UL94V2	Tan	4.2	1.2	3.2	2.0	3.8	1.3-2.0	2.1-2.2	1	1000
21584	GRHRF2040	PA46 UL94V2	Tan	4.2	1.2	4.0	2.0	5.5	2.1-2.8	2.1-2.2	1	1000
21589	GRHRF2048	PA46 UL94V2	Tan	4.2	1.2	4.8	2.0	5.5	2.9-3.6	2.1-2.2	1	1000
21496	GRHRF2056	PA46 UL94V2	Tan	4.2	1.2	5.6	2.0	7.2	3.7-4.4	2.1-2.2	1	1000
21594	GRHRF2064	PA46 UL94V2	Tan	4.2	1.2	6.4	2.0	7.2	4.4-5.2	2.1-2.2	1	1000
21599	GRHRF2632	PA46 UL94V2	Tan	5.0	1.4	3.2	2.6	4.6	1.0-2.0	2.7-2.8	1	1000
21463	GRHRF2642	PA46 UL94V2	Tan	5.0	1.4	4.2	2.6	4.6	2.0-3.0	2.7-2.8	1	1000
21604	GRHRF2648	PA46 UL94V2	Tan	5.0	1.4	4.8	2.6	6.2	2.7-3.6	2.7-2.8	1	1000
21346	GRHRF2655	PA46 UL94V2	Tan	5.0	1.4	5.5	2.6	6.2	3.4-4.3	2.7-2.8	1	1000
21609	GRHRF2664	PA46 UL94V2	Tan	5.0	1.4	6.4	2.6	7.8	4.3-5.2	2.7-2.8	1	1000
21614	GRHRF2672	PA46 UL94V2	Tan	5.0	1.4	7.2	2.6	7.8	5.1-6.0	2.7-2.8	1	1000
21213	GRHRF3035	PA46 UL94V2	Tan	6.4	1.7	3.5	3.0	5.1	1.0-2.0	3.1-3.2	1	1000
21188	GRHRF3045	PA46 UL94V2	Tan	6.4	1.7	4.5	3.0	6.1	2.0-3.0	3.1-3.2	1	1000
21572	GRHRF3050	PA46 UL94V2	Tan	6.4	1.7	5.0	3.0	6.1	2.5-3.5	3.1-3.2	1	1000
21248	GRHRF3055	PA46 UL94V2	Tan	6.4	1.7	5.5	3.0	6.1	3.0-4.0	3.1-3.2	1	1000
21236	GRHRF3065	PA46 UL94V2	Tan	6.4	1.7	6.5	3.0	7.1	4.0-5.0	3.1-3.2	1	1000
21267	GRHRF3075	PA46 UL94V2	Tan	6.4	1.7	7.5	3.0	9.0	5.0-6.0	3.1-3.2	1	1000
21357	GRHRF3080	PA46 UL94V2	Tan	6.4	1.7	8.0	3.0	9.0	5.5-6.5	3.1-3.2	1	1000
21370	GRHRF3090	PA46 UL94V2	Tan	6.4	1.7	9.0	3.0	11.0	6.5-7.5	3.1-3.2	1	1000
21277	GRHRF3100	PA46 UL94V2	Tan	6.4	1.7	10.0	3.0	11.0	7.5-8.5	3.1-3.2	1	1000
21619	GRHRF3145	PA46 UL94V2	Tan	6.4	1.7	14.5	3.0	15.5	11.5-13.0	3.1-3.2	1	1000
21524	GRHRF3230	PA46 UL94V2	Tan	6.4	1.7	23.0	3.0	24.0	20.5-21.5	3.1-3.2	1	1000
21624	GRHRF3535	PA46 UL94V2	Tan	6.4	1.7	3.5	3.5	5.1	1.2-2.1	3.6-3.7	2	1000
21629	GRHRF3545	PA46 UL94V2	Tan	6.4	1.7	4.5	3.5	6.1	2.1-3.0	3.6-3.7	2	1000
21634	GRHRF3550	PA46 UL94V2	Tan	6.4	1.7	5.0	3.5	6.1	2.7-3.6	3.6-3.7	2	1000
21471	GRHRF3555	PA46 UL94V2	Tan	6.4	1.7	5.5	3.5	7.1	3.1-4.1	3.6-3.7	2	1000
21253	GRHRF3560	PA46 UL94V2	Tan	6.4	1.7	6.0	3.5	7.1	3.7-4.6	3.6-3.7	2	1000
21639	GRHRF3570	PA46 UL94V2	Tan	6.4	1.7	7.0	3.5	9.0	4.5-5.5	3.6-3.7	2	1000
21272	GRHRF3580	PA46 UL94V2	Tan	6.4	1.7	8.0	3.5	9.0	4.5-5.5	3.6-3.7	2	1000
21282	GRHRF4040	PA46 UL94V2	Tan	8.0	1.8	4.0	4.0	5.1	1.7-2.5	4.1-4.2	2	1000
21504	GRHRF4050	PA46 UL94V2	Tan	8.0	1.8	5.0	4.0	7.1	2.5-3.5	4.1-4.2	2	1000
21426	GRHRF4055	PA46 UL94V2	Tan	8.0	1.8	5.5	4.0	7.1	3.0-4.0	4.1-4.2	2	1000
21433	GRHRF4060	PA46 UL94V2	Tan	8.0	1.8	6.0	4.0	7.1	3.5-4.5	4.1-4.2	2	1000
21190	GRHRF4070	PA46 UL94V2	Tan	8.0	1.8	7.0	4.0	9.0	4.5-5.5	4.1-4.2	2	1000

Material: PA46 UL94V2 (GMS-07)



RIVETS AND PANEL FASTENERS

Push Rivets GRHRF20-60 - Shockproof

PATENT

GRHRF20-60

Patent
Shockproof Version

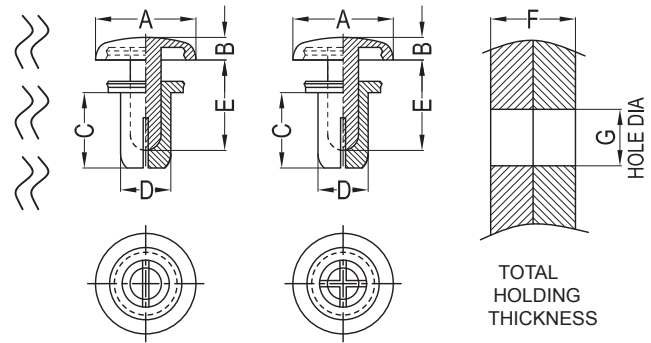
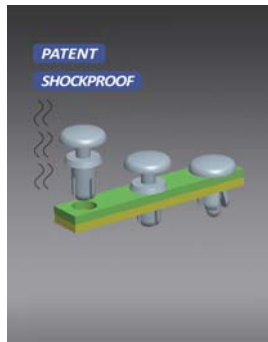


Fig.1

Fig.2

Sizes in mm

P/N.	Article No.	Material	Color	A	B	C	D	E	F	G	FIG.	Packing Unit
21206	GRHRF4080	PA46 UL94V2	Tan	8.0	1.8	8.0	4.0	9.0	5.5-6.5	4.1-4.2	2	1000
21207	GRHRF4090	PA46 UL94V2	Tan	8.0	1.8	9.0	4.0	11.0	6.5-7.5	4.1-4.2	2	1000
21208	GRHRF4100	PA46 UL94V2	Tan	8.0	1.8	10.0	4.0	11.0	7.5-8.5	4.1-4.2	2	1000
21287	GRHRF4120	PA46 UL94V2	Tan	8.0	1.8	12.0	4.0	14.0	9.0-10.5	4.1-4.2	2	1000
21365	GRHRF4155	PA46 UL94V2	Tan	8.0	1.8	15.5	4.0	16.6	12.5-14.0	4.1-4.2	2	1000
21307	GRHRF5045	PA46 UL94V2	Tan	9.0	2.2	4.5	5.0	6.5	1.5-2.5	5.1-5.2	2	1000
21312	GRHRF5055	PA46 UL94V2	Tan	9.0	2.2	5.5	5.0	6.5	2.5-3.5	5.1-5.2	2	1000
21226	GRHRF5065	PA46 UL94V2	Tan	9.0	2.2	6.5	5.0	8.5	3.5-4.5	5.1-5.2	2	1000
21231	GRHRF5075	PA46 UL94V2	Tan	9.0	2.2	7.5	5.0	8.5	4.5-5.5	5.1-5.2	2	1000
21295	GRHRF5085	PA46 UL94V2	Tan	9.0	2.2	8.5	5.0	10.5	5.5-6.5	5.1-5.2	2	1000
21300	GRHRF5095	PA46 UL94V2	Tan	9.0	2.2	9.5	5.0	10.5	6.5-7.5	5.1-5.2	2	1000
21209	GRHRF5105	PA46 UL94V2	Tan	9.0	2.2	10.5	5.0	12.0	7.5-8.5	5.1-5.2	2	1000
21210	GRHRF5865	PA46 UL94V2	Tan	12.0	2.7	6.3	5.8	9.0	3.0-4.5	5.9-6.0	2	1000
21211	GRHRF6060	PA46 UL94V2	Tan	12.0	2.5	6.0	6.0	9.0	2.5-4.0	6.1-6.2	2	1000
21212	GRHRF6080	PA46 UL94V2	Tan	12.0	3.0	8.0	6.0	10.0	3.5-5.5	6.1-6.2	2	1000
21443	GRHRF6140	PA46 UL94V2	Tan	12.0	3.0	14.0	6.0	14.0	7.5-8.5	6.1-6.2	2	1000

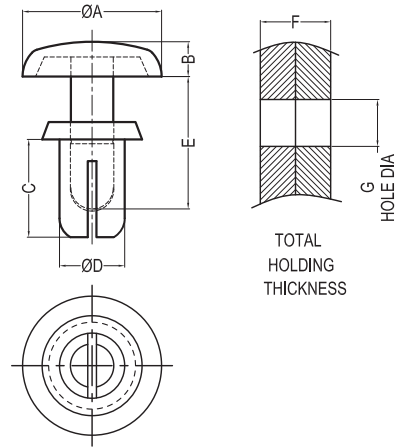
Material: PA46 UL94V2 (GMS-07)

RIVETS AND PANEL FASTENERS

Conductive Rivet GR-C



GR-C Conductive Version



Sizes in mm

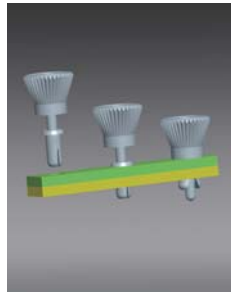
P/N.	Article No.	Material	Color	A	B	C	D	E	F	G	Packing Unit
21314	GR3045B-C	Conductive PA6 UL94HB	Black	6.4	1.6	4.5	3.0	6.1	2.0-3.0	3.1-3.2	1000

Material: Conductive PA6 UL94HB (GMS-64)



RIVETS AND PANEL FASTENERS

Mounting Buttons Removable GRT30-41



GRT30-41

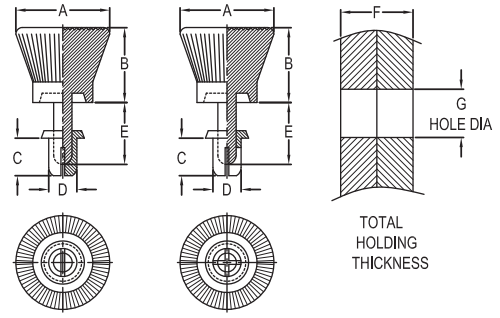


Fig.1

Fig.2

Sizes in mm

P/N.	Article No.	Cross-Ref.	Material	Color	A	B	C	D	E	F	G	FIG.	Packing Unit
20573	GRT3035B	SRT-3035B	PA6 UL94V2	Black	10.0	8.0	3.5	3.0	6.6	1.0-2.0	3.1-3.2	1	1000
20574	GRT3035W	SRT-3035W	PA6 UL94V2	White	10.0	8.0	3.5	3.0	6.6	1.0-2.0	3.1-3.2	1	1000
20575	GRT3045B	SRT-3045B	PA6 UL94V2	Black	10.0	8.0	4.5	3.0	6.6	2.0-3.0	3.1-3.2	1	1000
20576	GRT3045W	SRT-3045W	PA6 UL94V2	White	10.0	8.0	4.5	3.0	6.6	2.0-3.0	3.1-3.2	1	1000
20577	GRT3055B	SRT-3055B	PA6 UL94V2	Black	10.0	8.0	5.5	3.0	6.6	3.0-4.0	3.1-3.2	1	1000
20578	GRT3055W	SRT-3055W	PA6 UL94V2	White	10.0	8.0	5.5	3.0	6.6	3.0-4.0	3.1-3.2	1	1000
20579	GRT3065B	SRT-3065B	PA6 UL94V2	Black	10.0	8.0	6.5	3.0	9.0	4.0-5.0	3.1-3.2	1	1000
20580	GRT3065W	SRT-3065W	PA6 UL94V2	White	10.0	8.0	6.5	3.0	9.0	4.0-5.0	3.1-3.2	1	1000
20581	GRT3075B	SRT-3075B	PA6 UL94V2	Black	10.0	8.0	7.5	3.0	9.0	5.0-6.0	3.1-3.2	1	1000
20582	GRT3075W	SRT-3075W	PA6 UL94V2	White	10.0	8.0	7.5	3.0	9.0	5.0-6.0	3.1-3.2	1	1000
20583	GRT3080B	SRT-3080B	PA6 UL94V2	Black	10.0	8.0	8.0	3.0	9.0	5.5-6.5	3.1-3.2	1	1000
20584	GRT3080W	SRT-3080W	PA6 UL94V2	White	10.0	8.0	8.0	3.0	9.0	5.5-6.5	3.1-3.2	1	1000
20585	GRT3535B	SRT-3535B	PA6 UL94V2	Black	10.0	8.0	3.5	3.5	6.6	1.0-2.0	3.6-3.7	2	1000
20586	GRT3535W	SRT-3535W	PA6 UL94V2	White	10.0	8.0	3.5	3.5	6.6	1.0-2.0	3.6-3.7	2	1000
20587	GRT3545B	SRT-3545B	PA6 UL94V2	Black	10.0	8.0	4.5	3.5	6.6	2.0-3.0	3.6-3.7	2	1000
20588	GRT3545W	SRT-3545W	PA6 UL94V2	White	10.0	8.0	4.5	3.5	6.6	2.0-3.0	3.6-3.7	2	1000
20589	GRT3555B	SRT-3555B	PA6 UL94V2	Black	10.0	8.0	5.5	3.5	6.6	3.0-4.0	3.6-3.7	2	1000
20590	GRT3555W	SRT-3555W	PA6 UL94V2	White	10.0	8.0	5.5	3.5	6.6	3.0-4.0	3.6-3.7	2	1000
20591	GRT3560B	SRT-3560B	PA6 UL94V2	Black	10.0	8.0	6.0	3.5	9.0	3.5-4.5	3.6-3.7	2	1000
20592	GRT3560W	SRT-3560W	PA6 UL94V2	White	10.0	8.0	6.0	3.5	9.0	3.5-4.5	3.6-3.7	2	1000
20593	GRT3570B	SRT-3570B	PA6 UL94V2	Black	10.0	8.0	7.0	3.5	9.0	4.5-5.5	3.6-3.7	2	1000
20594	GRT3570W	SRT-3570W	PA6 UL94V2	White	10.0	8.0	7.0	3.5	9.0	4.5-5.5	3.6-3.7	2	1000
20595	GRT3580B	SRT-3580B	PA6 UL94V2	Black	10.0	8.0	8.0	3.5	9.0	5.5-6.5	3.6-3.7	2	1000
20596	GRT3580W	SRT-3580W	PA6 UL94V2	White	10.0	8.0	8.0	3.5	9.0	5.5-6.5	3.6-3.7	2	1000
20597	GRT4050B-H10	-	PA6 UL94V2	Black	10.0	8.0	5.0	4.0	7.6	2.5-3.5	4.1-4.2	2	1000
20795	GRT4050W-H10	-	PA6 UL94V2	White	10.0	8.0	5.0	4.0	7.6	2.5-3.5	4.1-4.2	2	1000
20598	GRT4050B	SRT-4050B	PA6 UL94V2	Black	12.0	8.0	5.0	4.0	7.6	2.5-3.5	4.1-4.2	2	1000
20600	GRT4050W	SRT-4050W	PA6 UL94V2	White	12.0	8.0	5.0	4.0	7.6	2.5-3.5	4.1-4.2	2	1000
20601	GRT4060B	SRT-4060B	PA6 UL94V2	Black	12.0	8.0	6.0	4.0	7.6	3.5-4.5	4.1-4.2	2	1000
20602	GRT4060W	SRT-4060W	PA6 UL94V2	White	12.0	8.0	6.0	4.0	7.6	3.5-4.5	4.1-4.2	2	1000
20603	GRT4070B	SRT-4070B	PA6 UL94V2	Black	12.0	8.0	7.0	4.0	11.2	4.5-5.5	4.1-4.2	2	1000
20604	GRT4070W	SRT-4070W	PA6 UL94V2	White	12.0	8.0	7.0	4.0	11.2	4.5-5.5	4.1-4.2	2	1000
20605	GRT4080B	SRT-4080B	PA6 UL94V2	Black	12.0	8.0	8.0	4.0	11.2	5.5-6.5	4.1-4.2	2	1000
20606	GRT4080W	SRT-4080W	PA6 UL94V2	White	12.0	8.0	8.0	4.0	11.2	5.5-6.5	4.1-4.2	2	1000
20607	GRT4090B	SRT-4090B	PA6 UL94V2	Black	12.0	8.0	9.0	4.0	11.2	6.5-7.5	4.1-4.2	2	1000
20609	GRT4090W	SRT-4090W	PA6 UL94V2	White	12.0	8.0	9.0	4.0	11.2	6.5-7.5	4.1-4.2	2	1000
20610	GRT4100B	SRT-4100B	PA6 UL94V2	Black	12.0	8.0	10.0	4.0	11.2	7.5-8.5	4.1-4.2	2	1000
20611	GRT4100W	SRT-4100W	PA6 UL94V2	White	12.0	8.0	10.0	4.0	11.2	7.5-8.5	4.1-4.2	2	1000
21643	GRT4365B	-	PA6 UL94V2	Black	12.0	8.0	6.5	4.3	8.5	4.0-4.9	4.4-4.9	2	1000
21644	GRT436W	-	PA6 UL94V2	White	12.0	8.0	6.5	4.3	8.5	4.0-4.9	4.4-4.9	2	1000

Material: PA6 UL94V2 (GMS-10)

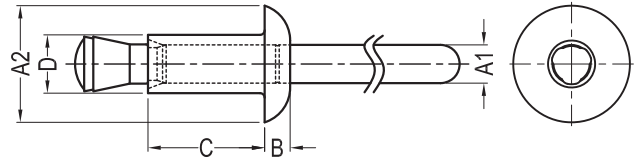


RIVETS AND PANEL FASTENERS

Clinch Rivets GCR

PATENT

GCR



Sizes in mm

P/N.	Article No.	Body Material	Pin Material	Color	A1	A2	B	C	D	Hole	Panel Thickness	Packing Unit
20947	GCR32-1-5	PA6 UL94V2	PC UL94V2	Black	2.1	6.4	1.4	6.4	3.2	3.3	1.0-3.5	1000
20950	GCR32-1-6	PA6 UL94V2	PC UL94V2	White	2.1	6.4	1.4	6.4	3.2	3.3	1.0-3.5	1000
20981	GCR32-1-11	PA6 UL94V2	PC UL94V2	Grey	2.1	6.4	1.4	6.4	3.2	3.3	1.0-3.5	1000
20984	GCR32-1-9	PA6 UL94V2	PC UL94V2	Tan	2.1	6.4	1.4	6.4	3.2	3.3	1.0-3.5	1000
20978	GCR32-1-10	PA6 UL94V2	PC UL94V2	Natural	2.1	6.4	1.4	6.4	3.2	3.3	1.0-3.5	1000
20948	GCR32-2-5	PA6 UL94V2	PC UL94V2	Black	2.1	6.4	1.4	9.6	3.2	3.3	3.5-6.5	1000
20951	GCR32-2-6	PA6 UL94V2	PC UL94V2	White	2.1	6.4	1.4	9.6	3.2	3.3	3.5-6.5	1000
20982	GCR32-2-11	PA6 UL94V2	PC UL94V2	Grey	2.1	6.4	1.4	9.6	3.2	3.3	3.5-6.5	1000
20985	GCR32-2-9	PA6 UL94V2	PC UL94V2	Tan	2.1	6.4	1.4	9.6	3.2	3.3	3.5-6.5	1000
20979	GCR32-2-10	PA6 UL94V2	PC UL94V2	Natural	2.1	6.4	1.4	9.6	3.2	3.3	3.5-6.5	1000
20949	GCR32-3-5	PA6 UL94V2	PC UL94V2	Black	2.1	6.4	1.4	12.7	3.2	3.3	6.5-9.5	1000
20952	GCR32-3-6	PA6 UL94V2	PC UL94V2	White	2.1	6.4	1.4	12.7	3.2	3.3	6.5-9.5	1000
20983	GCR32-3-11	PA6 UL94V2	PC UL94V2	Grey	2.1	6.4	1.4	12.7	3.2	3.3	6.5-9.5	1000
20986	GCR32-3-9	PA6 UL94V2	PC UL94V2	Tan	2.1	6.4	1.4	12.7	3.2	3.3	6.5-9.5	1000
20980	GCR32-3-10	PA6 UL94V2	PC UL94V2	Natural	2.1	6.4	1.4	12.7	3.2	3.3	6.5-9.5	1000
20953	GCR40-1-5	PA6 UL94V2	PC UL94V2	Black	2.4	8.0	1.8	6.4	4.0	4.1	1.0-3.5	1000
20956	GCR40-1-6	PA6 UL94V2	PC UL94V2	White	2.4	8.0	1.8	6.4	4.0	4.1	1.0-3.5	1000
20990	GCR40-1-11	PA6 UL94V2	PC UL94V2	Grey	2.4	8.0	1.8	6.4	4.0	4.1	1.0-3.5	1000
20993	GCR40-1-9	PA6 UL94V2	PC UL94V2	Tan	2.4	8.0	1.8	6.4	4.0	4.1	1.0-3.5	1000
20987	GCR40-1-10	PA6 UL94V2	PC UL94V2	Natural	2.4	8.0	1.8	6.4	4.0	4.1	1.0-3.5	1000
20954	GCR40-2-5	PA6 UL94V2	PC UL94V2	Black	2.4	8.0	1.8	9.6	4.0	4.1	3.5-6.0	1000
20957	GCR40-2-6	PA6 UL94V2	PC UL94V2	White	2.4	8.0	1.8	9.6	4.0	4.1	3.5-6.0	1000
20991	GCR40-2-11	PA6 UL94V2	PC UL94V2	Grey	2.4	8.0	1.8	9.6	4.0	4.1	3.5-6.0	1000
20994	GCR40-2-9	PA6 UL94V2	PC UL94V2	Tan	2.4	8.0	1.8	9.6	4.0	4.1	3.5-6.0	1000
20988	GCR40-2-10	PA6 UL94V2	PC UL94V2	Natural	2.4	8.0	1.8	9.6	4.0	4.1	3.5-6.0	1000
20955	GCR40-3-5	PA6 UL94V2	PC UL94V2	Black	2.4	8.0	1.8	12.7	4.0	4.1	6.0-9.0	1000
20958	GCR40-3-6	PA6 UL94V2	PC UL94V2	White	2.4	8.0	1.8	12.7	4.0	4.1	6.0-9.0	1000
20992	GCR40-3-11	PA6 UL94V2	PC UL94V2	Grey	2.4	8.0	1.8	12.7	4.0	4.1	6.0-9.0	1000
20995	GCR40-3-9	PA6 UL94V2	PC UL94V2	Tan	2.4	8.0	1.8	12.7	4.0	4.1	6.0-9.0	1000
20989	GCR40-3-10	PA6 UL94V2	PC UL94V2	Natural	2.4	8.0	1.8	12.7	4.0	4.1	6.0-9.0	1000

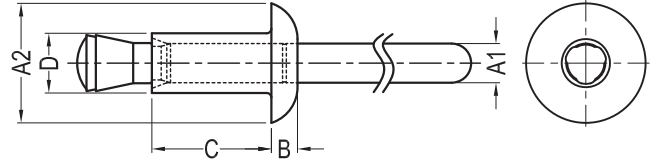
Material: PA6 UL94V2 (GMS-10); PC UL94V2 (GMS-29)

RIVETS AND PANEL FASTENERS

Clinch Rivets GCR

PATENT

GCR



Sizes in mm

P/N.	Article No.	Body Material	Pin Material	Color	A1	A2	B	C	D	Hole	Panel Thickness	Packing Unit
20938	GCR48-1-5	PA6 UL94V2	PC UL94V2	Black	2.8	9.6	2.0	8.0	4.8	4.9	1.5-4.5	500
20941	GCR48-1-6	PA6 UL94V2	PC UL94V2	White	2.8	9.6	2.0	8.0	4.8	4.9	1.5-4.5	500
20999	GCR48-1-11	PA6 UL94V2	PC UL94V2	Grey	2.8	9.6	2.0	8.0	4.8	4.9	1.5-4.5	500
21002	GCR48-1-9	PA6 UL94V2	PC UL94V2	Tan	2.8	9.6	2.0	8.0	4.8	4.9	1.5-4.5	500
20996	GCR48-1-10	PA6 UL94V2	PC UL94V2	Natural	2.8	9.6	2.0	8.0	4.8	4.9	1.5-4.5	500
20939	GCR48-2-5	PA6 UL94V2	PC UL94V2	Black	2.8	9.6	2.0	11.2	4.8	4.9	4.5-7.5	500
20942	GCR48-2-6	PA6 UL94V2	PC UL94V2	White	2.8	9.6	2.0	11.2	4.8	4.9	4.5-7.5	500
21000	GCR48-2-11	PA6 UL94V2	PC UL94V2	Grey	2.8	9.6	2.0	11.2	4.8	4.9	4.5-7.5	500
21003	GCR48-2-9	PA6 UL94V2	PC UL94V2	Tan	2.8	9.6	2.0	11.2	4.8	4.9	4.5-7.5	500
20997	GCR48-2-10	PA6 UL94V2	PC UL94V2	Natural	2.8	9.6	2.0	11.2	4.8	4.9	4.5-7.5	500
20940	GCR48-3-5	PA6 UL94V2	PC UL94V2	Black	2.8	9.6	2.0	14.4	4.8	4.9	7.5-10.5	500
20943	GCR48-3-6	PA6 UL94V2	PC UL94V2	White	2.8	9.6	2.0	14.4	4.8	4.9	7.5-10.5	500
21001	GCR48-3-11	PA6 UL94V2	PC UL94V2	Grey	2.8	9.6	2.0	14.4	4.8	4.9	7.5-10.5	500
21004	GCR48-3-9	PA6 UL94V2	PC UL94V2	Tan	2.8	9.6	2.0	14.4	4.8	4.9	7.5-10.5	500
20998	GCR48-3-10	PA6 UL94V2	PC UL94V2	Natural	2.8	9.6	2.0	14.4	4.8	4.9	7.5-10.5	500
21020	GCR56-1-5	PA6 UL94V2	PC UL94V2	Black	3.4	12.0	2.2	9.6	5.6	5.7	2.0-5.0	500
21023	GCR56-1-6	PA6 UL94V2	PC UL94V2	White	3.4	12.0	2.2	9.6	5.6	5.7	2.0-5.0	500
21029	GCR56-1-11	PA6 UL94V2	PC UL94V2	Grey	3.4	12.0	2.2	9.6	5.6	5.7	2.0-5.0	500
21032	GCR56-1-9	PA6 UL94V2	PC UL94V2	Tan	3.4	12.0	2.2	9.6	5.6	5.7	2.0-5.0	500
21026	GCR56-1-10	PA6 UL94V2	PC UL94V2	Natural	3.4	12.0	2.2	9.6	5.6	5.7	2.0-5.0	500
21021	GCR56-2-5	PA6 UL94V2	PC UL94V2	Black	3.4	12.0	2.2	12.7	5.6	5.7	5.0-8.0	500
21024	GCR56-2-6	PA6 UL94V2	PC UL94V2	White	3.4	12.0	2.2	12.7	5.6	5.7	5.0-8.0	500
21030	GCR56-2-11	PA6 UL94V2	PC UL94V2	Grey	3.4	12.0	2.2	12.7	5.6	5.7	5.0-8.0	500
21033	GCR56-2-9	PA6 UL94V2	PC UL94V2	Tan	3.4	12.0	2.2	12.7	5.6	5.7	5.0-8.0	500
21027	GCR56-2-10	PA6 UL94V2	PC UL94V2	Natural	3.4	12.0	2.2	12.7	5.6	5.7	5.0-8.0	500
21022	GCR56-3-5	PA6 UL94V2	PC UL94V2	Black	3.4	12.0	2.2	15.9	5.6	5.7	8.0-11.5	500
21025	GCR56-3-6	PA6 UL94V2	PC UL94V2	White	3.4	12.0	2.2	15.9	5.6	5.7	8.0-11.5	500
21031	GCR56-3-11	PA6 UL94V2	PC UL94V2	Grey	3.4	12.0	2.2	15.9	5.6	5.7	8.0-11.5	500
21034	GCR56-3-9	PA6 UL94V2	PC UL94V2	Tan	3.4	12.0	2.2	15.9	5.6	5.7	8.0-11.5	500
21028	GCR56-3-10	PA6 UL94V2	PC UL94V2	Natural	3.4	12.0	2.2	15.9	5.6	5.7	8.0-11.5	500

Material: PA6 UL94V2 (GMS-10); PC UL94V2 (GMS-29)



sales@sucatec.com



www.sucatec.com

RIVETS AND PANEL FASTENERS

Push Rivet Blunt GRS30-60/GRS3053SP

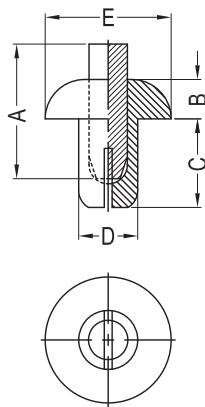
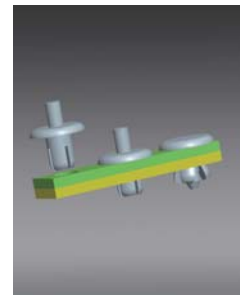
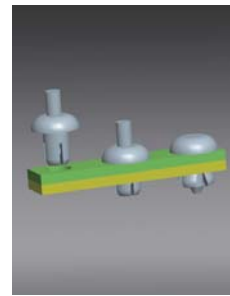


Fig.1

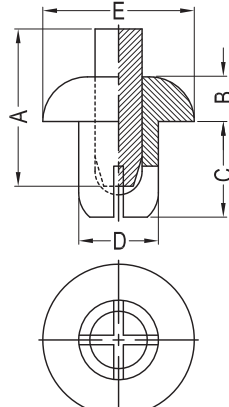


Fig.2

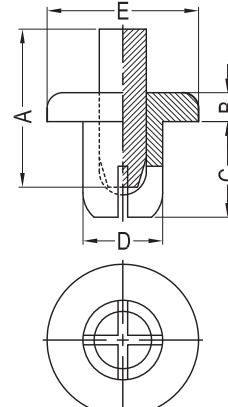
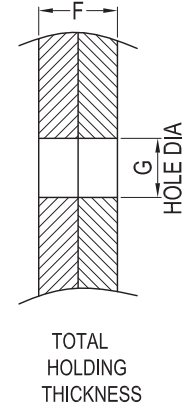


Fig.3



TOTAL
HOLDING
THICKNESS

Sizes in mm

P/N.	Article No.	Cross-Ref.	Material	Color	A	B	C	D	E	F	G	FIG.	Packing Unit
20318	GRS3045B	PPR-3045B	PA6 UL94V2	Black	8.9	2.0	4.5	3.0	5.8	2.0-3.0	3.1-3.2	1	1000
20319	GRS3045W	PPR-3045W	PA6 UL94V2	White	8.9	2.0	4.5	3.0	5.8	2.0-3.0	3.1-3.2	1	1000
20320	GRS3055B	PPR-3055B	PA6 UL94V2	Black	8.9	2.0	5.5	3.0	5.8	3.0-4.0	3.1-3.2	1	1000
20321	GRS3055W	PPR-3055W	PA6 UL94V2	White	8.9	2.0	5.5	3.0	5.8	3.0-4.0	3.1-3.2	1	1000
20322	GRS4050B	PPR-4050B	PA6 UL94V2	Black	9.2	2.2	5.0	4.0	8.0	2.5-3.5	4.1-4.2	2	1000
20323	GRS4050W	PPR-4050W	PA6 UL94V2	White	9.2	2.2	5.0	4.0	8.0	2.5-3.5	4.1-4.2	2	1000
20324	GRS4060B	PPR-4060B	PA6 UL94V2	Black	9.2	2.2	6.0	4.0	8.0	3.5-4.5	4.1-4.2	2	1000
20325	GRS4060W	PPR-4060W	PA6 UL94V2	White	9.2	2.2	6.0	4.0	8.0	3.5-4.5	4.1-4.2	2	1000
20326	GRS4850B	PPR-4850B	PA6 UL94V2	Black	11.0	3.2	5.0	4.8	9.9	1.2-3.0	4.8-4.9	2	1000
20327	GRS4850W	PPR-4850W	PA6 UL94V2	White	11.0	3.2	5.0	4.8	9.9	1.2-3.0	4.8-4.9	2	1000
20328	GRS5050B	PPR-5050B	PA6 UL94V2	Black	9.6	2.8	5.0	5.0	9.5	2.0-3.0	5.1-5.2	2	1000
20330	GRS5050W	PPR-5050W	PA6 UL94V2	White	9.6	2.8	5.0	5.0	9.5	2.0-3.0	5.1-5.2	2	1000
20332	GRS5060B	PPR-5060B	PA6 UL94V2	Black	9.6	2.8	6.0	5.0	9.5	3.0-4.0	5.1-5.2	2	1000
20334	GRS5060W	PPR-5060W	PA6 UL94V2	White	9.6	2.8	6.0	5.0	9.5	3.0-4.0	5.1-5.2	2	1000
20335	GRS5070B	PPR-5070B	PA6 UL94V2	Black	11.4	2.8	7.0	5.0	9.5	4.0-5.0	5.1-5.2	2	1000
20336	GRS5070W	PPR-5070W	PA6 UL94V2	White	11.4	2.8	7.0	5.0	9.5	4.0-5.0	5.1-5.2	2	1000
20337	GRS5080B	PPR-5080B	PA6 UL94V2	Black	11.4	2.8	8.0	5.0	9.5	5.0-6.0	5.1-5.2	2	1000
20338	GRS5080W	PPR-5080W	PA6 UL94V2	White	11.4	2.8	8.0	5.0	9.5	5.0-6.0	5.1-5.2	2	1000
20339	GRS5090B	PPR-5090B	PA6 UL94V2	Black	12.4	2.8	9.0	5.0	9.5	6.0-7.0	5.1-5.2	2	1000
20340	GRS5090W	PPR-5090W	PA6 UL94V2	White	12.4	2.8	9.0	5.0	9.5	6.0-7.0	5.1-5.2	2	1000
20341	GRS5100B	PPR-5100B	PA6 UL94V2	Black	13.6	2.8	10.0	5.0	9.5	7.0-8.0	5.1-5.2	2	1000
20342	GRS5100W	PPR-5100W	PA6 UL94V2	White	13.6	2.8	10.0	5.0	9.5	7.0-8.0	5.1-5.2	2	1000
20343	GRS6060B	PPR-6060B	PA6 UL94V2	Black	9.8	1.5	6.0	6.0	11.0	2.5-4.0	6.1-6.2	3	1000
20344	GRS6060W	PPR-6060W	PA6 UL94V2	White	9.8	1.5	6.0	6.0	11.0	2.5-4.0	6.1-6.2	3	1000
20643	GRS3053SPB	-	PA6 UL94V2	Black	6.3	1.0	5.3	3.0	5.0	2.5-3.5	3.1-3.2	3	1000
21123	GRS3053SPW	-	PA6 UL94V2	White	6.3	1.0	5.3	3.0	5.0	2.5-3.5	3.1-3.2	3	1000

Material: PA6 UL94V2 (GMS-10)

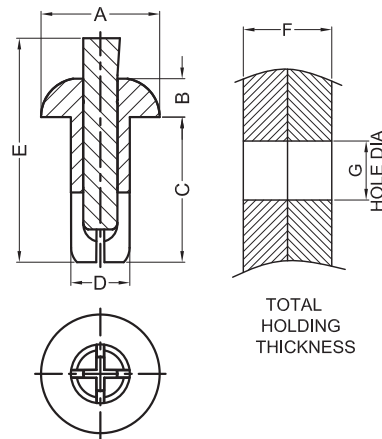


RIVETS AND PANEL FASTENERS

Push Rivet Blunt GRS85



GRS85

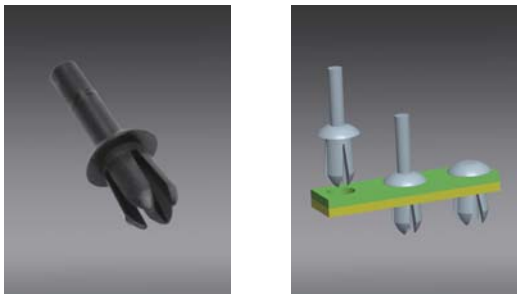


Sizes in mm

P/N.	Article No.	Cross-Ref.	Material	Color	A	B	C	D	E	F	G	Packing Unit
20728	GRS8511B	-	PA6 UL94V2	Black	16.4	5.5	11.5	8.45	27.5	2.0-5.0	8.6±0.08	1000
21215	GRS8511W	-	PA6 UL94V2	White	16.4	5.5	11.5	8.45	27.5	2.0-5.0	8.6±0.08	1000
20814	GRS8515B	PPR-8515B	PA6 UL94V2	Black	17.0	5.5	15.5	8.45	27.5	6.0-9.0	8.6±0.08	1000
20935	GRS8515W	PPR-8515W	PA6 UL94V2	White	17.0	5.5	15.5	8.45	27.5	6.0-9.0	8.6±0.08	1000
20818	GRS8515B-2	-	PA6 UL94V2	Black	17.0	5.5	15.5	8.45	33.5	6.0-9.0	8.6±0.08	1000
21214	GRS8515W-2	-	PA6 UL94V2	White	17.0	5.5	15.5	8.45	33.5	6.0-9.0	8.6±0.08	1000
20815	GRS8521B	PPR-8521B	PA6 UL94V2	Black	17.0	5.5	20.8	8.45	33.5	11.5-14.5	8.6±0.08	500
20936	GRS8521W	PPR-8521W	PA6 UL94V2	White	17.0	5.5	20.8	8.45	33.5	11.5-14.5	8.6±0.08	500

Material: PA6 UL94V2 (GMS-10)

Push Rivet Blunt GPPR-3/-13/-15/-16



GPPR-15

GPPR-13

GPPR-16

GPPR-3

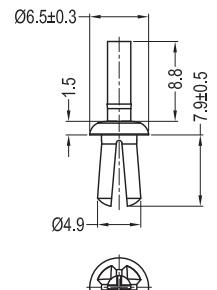
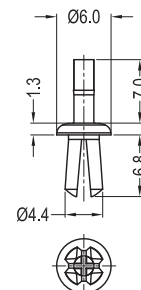
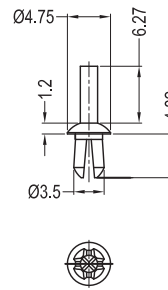
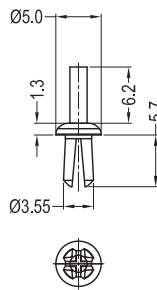


Fig.1

Fig.2

Fig.3

Fig.4

Hole: 3.0±0.08mm
Panel Thickness: 1.0-4.0mm

Hole: 3.18±0.08mm
Panel Thickness: 0.79-3.56mm

Hole: 3.5±0.08mm
Panel Thickness: 1.0-5.0mm

Hole: 4.0±0.08mm
Panel Thickness: 1.5-6.0mm

Sizes in mm

P/N.	Article No.	Cross-Ref.	Material	Color	FIG.	Packing Unit
21567	GPPR-15B	093011059902	PA6 UL94V2	Black	1	1000
21566	GPPR-15N	093011000002	PA6 UL94V2	Natural	1	1000
21411	GPPR-13B	61PR900000B	PA66 UL94V2	Black	2	1000
21408	GPPR-13N	61PR900000	PA66 UL94V2	Natural	2	1000
21574	GPPR-16B	093012059902	PA6 UL94V2	Black	3	1000
21573	GPPR-16N	093012000002	PA6 UL94V2	Natural	3	1000
21527	GPPR-3B	093013059902	PA6 UL94V2	Black	4	1000
21526	GPPR-3N	093013000002	PA6 UL94V2	Natural	4	1000

Material: PA66 UL94V2 (GMS-65); PA6 UL94V2 (GMS-31)



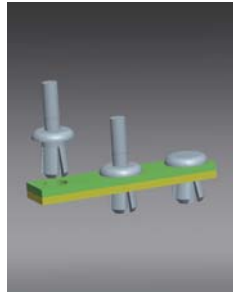
sales@sucatec.com



www.sucatec.com

RIVETS AND PANEL FASTENERS

Push Rivet Blunt GPPR-2/-5/-10



GPPR-10

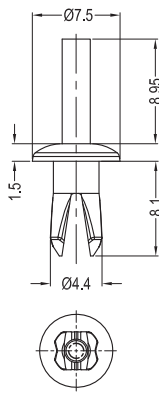


Fig.1

Hole: 4.1±0.08mm
Panel Thickness: 4.0-6.5mm

GPPR-5

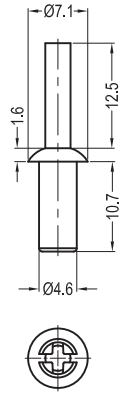


Fig.2

Hole: 4.8±0.08mm
Panel Thickness: 1.0-9.5mm

GPPR-2

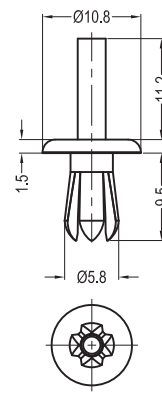


Fig.3

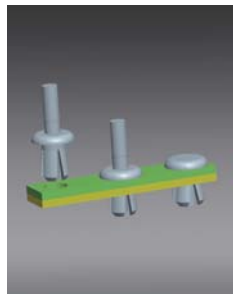
Hole: 4.8±0.08mm
Panel Thickness: 4.0-7.1mm

Sizes in mm

P/N.	Article No.	Cross-Ref.	Material	Color	FIG.	Packing Unit
20897	GPPR-10B	PPR-41082B	PA6 UL94V2	Black	1	1000
20780	GPPR-10N	PPR-41082N	PA6 UL94V2	Natural	1	1000
20854	GPPR-5B	PPR-5B	PA66 UL94V2	Black	2	1000
20855	GPPR-5N	PPR-5	PA66 UL94V2	Natural	2	1000
20724	GPPR-2B	PPR-2B	PA66 UL94V2	Black	3	1000
20685	GPPR-2N	PPR-2	PA66 UL94V2	Natural	3	1000

Material: PA6 UL94V2 (GMS-10); PA66 UL94V2 (GMS-01)

Push Rivet Blunt GPPR-1/-8, GPPR-50092



GPPR-50092

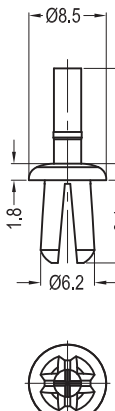


Fig.1

Hole: 5.1±0.08mm
Panel Thickness: 1.5-7.0mm

GPPR-1

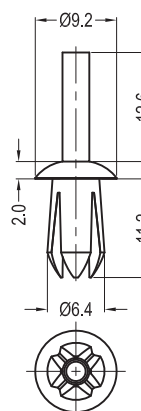


Fig.2

Hole: 5.5±0.08mm
Panel Thickness: 2.4-4.0mm

GPPR-8

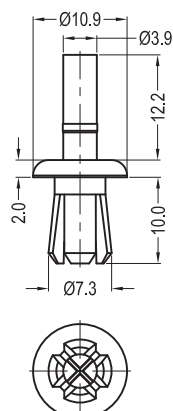


Fig.3

Hole: 6.0±0.08mm
Panel Thickness: 3.0-7.0mm

Sizes in mm

P/N.	Article No.	Cross-Ref.	Material	Color	FIG.	Packing Unit
20910	GPPR-50092B	093014000002	PA66 UL94V2	Black	1	1000
21335	GPPR-50092N	093014059902	PA66 UL94V2	Natural	1	1000
20686	GPPR-1B	PPR-1B	PA66 UL94V2	Black	2	1000
20679	GPPR-1N	PPR-1	PA66 UL94V2	Natural	2	1000
20837	GPPR-8B	093002469902	PA66 UL94V2	Black	3	1000
20811	GPPR-8N	093002400002	PA66 UL94V2	Natural	3	1000

Material: PA66 UL94V2 (GMS-01)

RIVETS AND PANEL FASTENERS

Push Rivet Blunt GPPR-4/-6/-9/-12, PPR-9

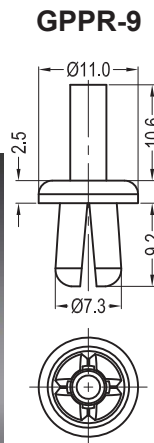


Fig.1

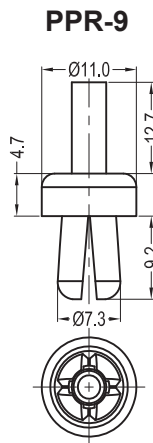


Fig.2

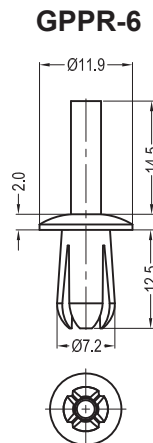


Fig.3

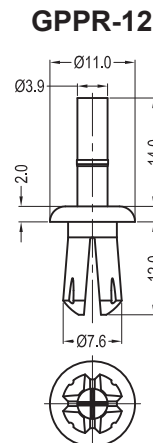


Fig.4

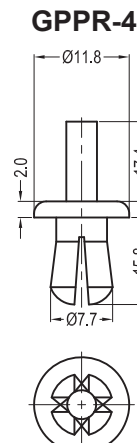


Fig.5

Sizes in mm

Hole: 6.4±0.08mm

Hole: 6.4±0.08mm

Hole: 6.4±0.08mm

Hole: 6.4±0.08mm

Hole: 6.4±0.08mm

Panel Thickness: 1.5-6.4mm

Panel Thickness: 1.5-6.4mm

Panel Thickness: 3.0-7.0mm

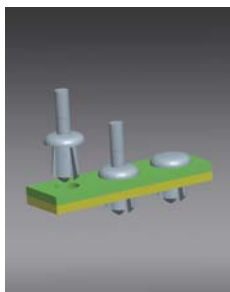
Panel Thickness: 4.0-9.5mm

Panel Thickness: 7.1-12.7mm

P/N.	Article No.	Cross-Ref.	Material	Color	FIG.	Packing Unit
20688	GPPR-9B	PPR-9B	PA66 UL94V2	Black	1	1000
20678	GPPR-9N	PPR-9	PA66 UL94V2	Natural	1	1000
20687	PPR-9B	-	PA66 UL94V2	Black	2	1000
20317	PPR-9N	-	PA66 UL94V2	Natural	2	1000
20827	GPPR-6N	-	PA66 UL94V2	Black	3	1000
21042	GPPR-6B	-	PA66 UL94V2	Natural	3	1000
21377	GPPR-12B	093002669902	PA6 UL94V2	Black	4	1000
21376	GPPR-12N	093002600002	PA6 UL94V2	Natural	4	1000
20313	GPPR-4B	PPR-4B	PA66 UL94V2	Black	5	1000
20314	GPPR-4N	PPR-4	PA66 UL94V2	Natural	5	1000

Material: PA66 UL94V2 (GMS-01); PA6 UL94V2 (GMS-31)

Push Rivet Blunt GPPR-11/-14



GPPR-14

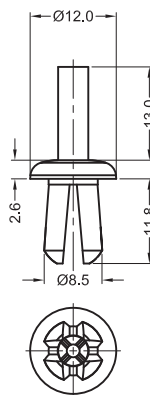


Fig.1

Hole: 7.0±0.08mm

Panel Thickness: 2.5-9.0mm

GPPR-11

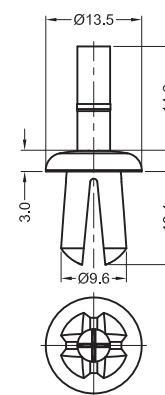


Fig.2

Hole: 8.0±0.08mm

Panel Thickness: 3.0-10.0mm

Sizes in mm

P/N.	Article No.	Cross-Ref.	Material	Color	FIG.	Packing Unit
21551	GPPR-14B	093016059902	PA66 UL94V2	Black	1	1000
21550	GPPR-14N	093016000002	PA66 UL94V2	Natural	1	1000
21373	GPPR-11B	093017059902	PA6 UL94V2	Black	2	1000
21372	GPPR-11N	093017000002	PA6 UL94V2	Natural	2	1000

Material: PA66 UL94V2 (GMS-65); PA6 UL94V2 (GMS-31)



sales@sucatec.com



www.sucatec.com

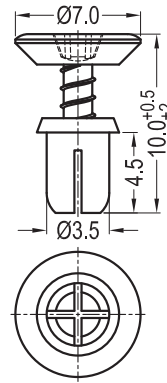
RIVETS AND PANEL FASTENERS

Screw Rivet Fasteners

GTR3545B



GTR3545B



Sizes in mm

P/N.	Article No.	Body Material	Pin Material	Color	Hole	Panel Thickness	Packing Unit
20265	GTR3545B	PA6 UL94V2	POM UL94HB	Black	3.6-3.7	2.1-3.0	1000

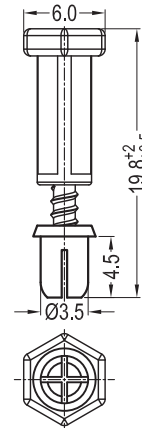
Material: PA6 UL94V2 (GMS-10); POM UL94HB (GMS-30)

Screw Rivet Fasteners

GTR3545B-11.5



GTR3545B-11.5



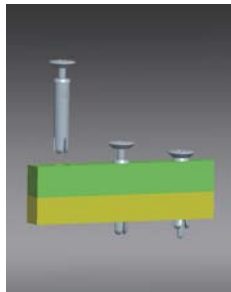
Sizes in mm

P/N.	Article No.	Body Material	Pin Material	Color	Hole	Panel Thickness	Packing Unit
20266	GTR3545B-11.5	PA6 UL94V2	POM UL94HB	Black	3.6-3.7	2.1-3.0	1000

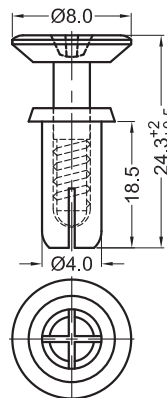
Material: PA6 UL94V2 (GMS-10); POM UL94HB (GMS-30)

Screw Rivet Fasteners

GTR4185B



GTR4185B



Sizes in mm

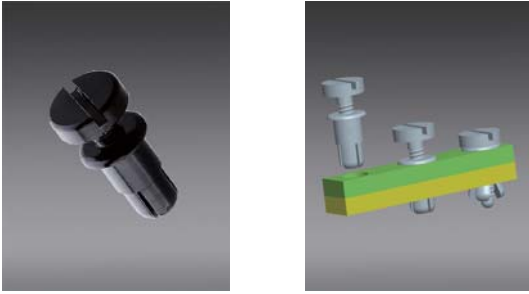
P/N.	Article No.	Body Material	Pin Material	Color	Hole	Panel Thickness	Packing Unit
20267	GTR4185B	PA66 UL94V0	POM UL94HB	Black	4.1-4.2	15.5-17.0	1000

Material: PA66 UL94V0 (GMS-02); POM UL94HB (GMS-30)

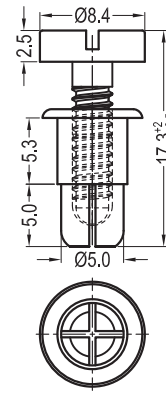
RIVETS AND PANEL FASTENERS

Screw Rivet Fasteners

GSCR5103



GSCR5103



Sizes in mm

P/N.	Article No.	Body Material	Pin Material	Color	Hole	Panel Thickness	Packing Unit
20477	GSCR5103B	PA6 UL94V2	POM UL94HB	Black	5.7-5.8	6.5-7.5	1000
20478	GSCR5103-ASSY	PA6 UL94V2	PC UL94V2	Black	5.7-5.8	6.5-7.5	1000

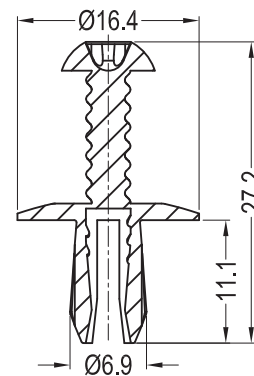
Material: PA6 UL94V2 (GMS-10); POM UL94HB (GMS-30); PC UL94V2 (GMS-25)

Screw Rivet Fasteners

GUSR1132



GUSR1132



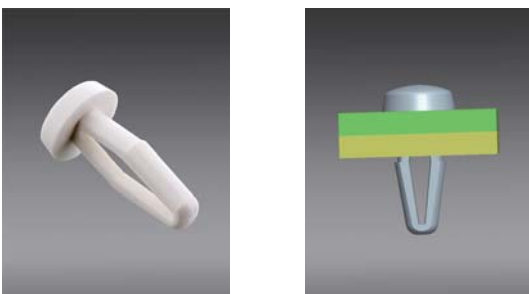
Sizes in mm

P/N.	Article No.	Cross-Ref.	Material	Color	Hole	Panel Thickness	Packing Unit
20836	GUSR1132	USR-1132	PA66 UL94V2	Black	6.0±0.08	1.5-6.0	1000

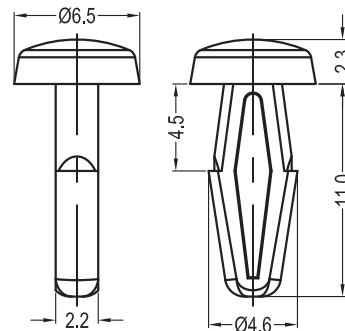
Material: PA66 UL94V2 (GMS-01)

Drive Fastener

GDF-30110



GDF-30110



Sizes in mm

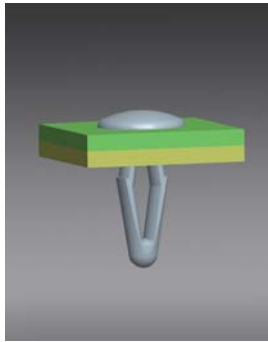
P/N.	Article No.	Material	Color	Hole	Panel Thickness	Packing Unit
20656	GDF-30110	PA66 UL94V0	Natural	3.2±0.08	1.0-4.4	1000

Material: PA66 UL94V0 (GMS-02)

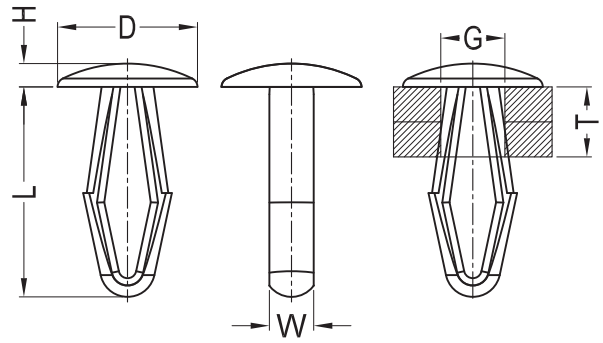


RIVETS AND PANEL FASTENERS

Drive Fastener GDF-137



GDF-137



Sizes in mm

P/N.	Article No.	Cross-Ref.	Material	Color	D	H	L	W	G	T	Packing Unit
20892	GDF-137-010N	DF-137-010	POM UL94HB	Natural	8.0	1.5	13.0	2.7	3.2	1.0-4.5	1000
20899	GDF-137-010B	DF-137-010BK	POM UL94HB	Black	8.0	1.5	13.0	2.7	3.2	1.0-4.5	1000
20816	GDF-137-020N	DF-137-020	POM UL94HB	Natural	9.0	1.6	14.0	2.9	3.9	1.0-5.0	1000
20893	GDF-137-020B	DF-137-020BK	POM UL94HB	Black	9.0	1.6	14.0	2.9	3.9	1.0-5.0	1000
20744	GDF-137-030N	DF-137-030	POM UL94HB	Natural	10.0	1.7	15.0	3.4	4.7	1.0-5.5	1000
20833	GDF-137-030B	DF-137-030BK	POM UL94HB	Black	10.0	1.7	15.0	3.4	4.7	1.0-5.5	1000
20751	GDF-137-031N	DF-137-031	POM UL94HB	Natural	11.0	2.9	15.0	3.4	4.7	1.0-5.5	1000
20752	GDF-137-031B	DF-137-031BK	POM UL94HB	Black	11.0	2.9	15.0	3.4	4.7	1.0-5.5	1000
20753	GDF-137-040N	DF-137-040	POM UL94HB	Natural	12.0	2.0	17.0	3.9	6.4	1.5-6.5	1000
20754	GDF-137-040B	DF-137-040BK	POM UL94HB	Black	12.0	2.0	17.0	3.9	6.4	1.5-6.5	1000
20902	GDF-137-050N	DF-137-050	POM UL94HB	Natural	14.0	2.2	19.0	4.2	7.8	1.5-7.0	1000
20745	GDF-137-050B	DF-137-050BK	POM UL94HB	Black	14.0	2.2	19.0	4.2	7.8	1.5-7.0	1000
20898	GDF-137-060N	DF-137-060	POM UL94HB	Natural	12.0	2.0	18.0	3.8	5.5	6.0-9.0	1000
20820	GDF-137-060B	DF-137-060BK	POM UL94HB	Black	12.0	2.0	18.0	3.8	5.5	6.0-9.0	1000
21153	GDF-137-010N-V0	DFVO-137-010	PA66 UL94V0	Natural	8.0	1.5	13.0	2.7	3.2	1.0-4.5	1000
21147	GDF-137-010B-V0	DFVO-137-010BK	PA66 UL94V0	Black	8.0	1.5	13.0	2.7	3.2	1.0-4.5	1000
21154	GDF-137-020N-V0	DFVO-137-020	PA66 UL94V0	Natural	9.0	1.6	14.0	2.9	3.9	1.0-5.0	1000
21148	GDF-137-020B-V0	DFVO-137-020BK	PA66 UL94V0	Black	9.0	1.6	14.0	2.9	3.9	1.0-5.0	1000
21074	GDF-137-030N-V0	DFVO-137-030	PA66 UL94V0	Natural	10.0	1.7	15.0	3.4	4.7	1.0-5.5	1000
21149	GDF-137-030B-V0	DFVO-137-030BK	PA66 UL94V0	Black	10.0	1.7	15.0	3.4	4.7	1.0-5.5	1000
21155	GDF-137-031N-V0	DFVO-137-031	PA66 UL94V0	Natural	11.0	2.9	15.0	3.4	4.7	1.0-5.5	1000
21150	GDF-137-031B-V0	DFVO-137-031BK	PA66 UL94V0	Black	11.0	2.9	15.0	3.4	4.7	1.0-5.5	1000
21072	GDF-137-040N-V0	DFVO-137-040	PA66 UL94V0	Natural	12.0	2.0	17.0	3.9	6.4	1.5-6.5	1000
21073	GDF-137-040B-V0	DFVO-137-040BK	PA66 UL94V0	Black	12.0	2.0	17.0	3.9	6.4	1.5-6.5	1000
21156	GDF-137-050N-V0	DFVO-137-050	PA66 UL94V0	Natural	14.0	2.2	19.0	4.2	7.8	1.5-7.0	1000
21151	GDF-137-050B-V0	DFVO-137-050BK	PA66 UL94V0	Black	14.0	2.2	19.0	4.2	7.8	1.5-7.0	1000
21157	GDF-137-060N-V0	DFVO-137-060	PA66 UL94V0	Natural	12.0	2.0	18.0	3.8	5.5	6.0-9.0	1000
21152	GDF-137-060B-V0	DFVO-137-060BK	PA66 UL94V0	Black	12.0	2.0	18.0	3.8	5.5	6.0-9.0	1000
21158	GDF-137-010N-66	-	PA66 UL94V2	Natural	8.0	1.5	13.0	2.7	3.2	1.0-4.5	1000
21165	GDF-137-010B-66	-	PA66 UL94V2	Black	8.0	1.5	13.0	2.7	3.2	1.0-4.5	1000
21159	GDF-137-020N-66	-	PA66 UL94V2	Natural	9.0	1.6	14.0	2.9	3.9	1.0-5.0	1000
21166	GDF-137-020B-66	-	PA66 UL94V2	Black	9.0	1.6	14.0	2.9	3.9	1.0-5.0	1000
21160	GDF-137-030N-66	-	PA66 UL94V2	Natural	10.0	1.7	15.0	3.4	4.7	1.0-5.5	1000
21140	GDF-137-030B-66	-	PA66 UL94V2	Black	10.0	1.7	15.0	3.4	4.7	1.0-5.5	1000
21161	GDF-137-031N-66	-	PA66 UL94V2	Natural	11.0	2.9	15.0	3.4	4.7	1.0-5.5	1000
21167	GDF-137-031B-66	-	PA66 UL94V2	Black	11.0	2.9	15.0	3.4	4.7	1.0-5.5	1000
21162	GDF-137-040N-66	-	PA66 UL94V2	Natural	12.0	2.0	17.0	3.9	6.4	1.5-6.5	1000
21168	GDF-137-040B-66	-	PA66 UL94V2	Black	12.0	2.0	17.0	3.9	6.4	1.5-6.5	1000
21163	GDF-137-050N-66	-	PA66 UL94V2	Natural	14.0	2.2	19.0	4.2	7.8	1.5-7.0	1000
21169	GDF-137-050B-66	-	PA66 UL94V2	Black	14.0	2.2	19.0	4.2	7.8	1.5-7.0	1000
21164	GDF-137-060N-66	-	PA66 UL94V2	Natural	12.0	2.0	18.0	3.8	5.5	6.0-9.0	1000
21170	GDF-137-060B-66	-	PA66 UL94V2	Black	12.0	2.0	18.0	3.8	5.5	6.0-9.0	1000

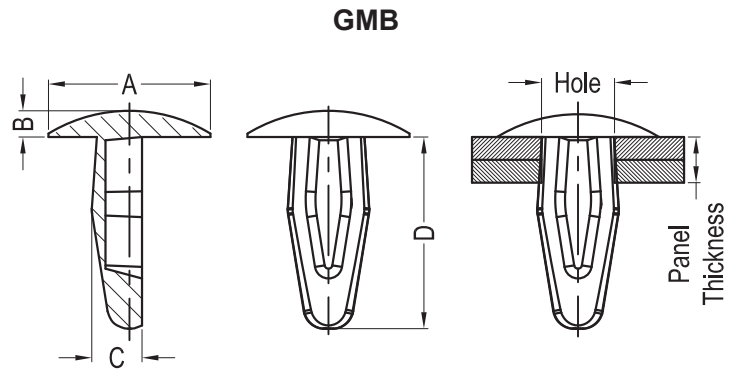
Material: POM UL94HB (GMS-16); PA66 UL94V2 (GMS-01); PA66 UL94V0 (GMS-02)



RIVETS AND PANEL FASTENERS

Mini Mounting Button

GMB



Sizes in mm

P/N.	Article No.	Cross-Ref.	Material	Color	A	B	C	D	Hole	Panel Thickness	Packing Unit
20642	GMB-125-06B	MMB-125-01BK	PA6 UL94V2	Black	7.1	1.15	2.2	8.4	3.10-3.22	2.0-2.5	1000
20884	GMB-125-06N	MMB-125-01	PA6 UL94V2	Natural	7.1	1.15	2.2	8.4	3.10-3.22	2.0-2.5	1000
20668	GMB-136-06B	MMB-136-01BK	PA6 UL94V2	Black	10.3	1.7	3.2	11.1	3.32-3.58	2.9-4.0	1000
20713	GMB-136-06N	MMB-136-01	PA6 UL94V2	Natural	10.3	1.7	3.2	11.1	3.32-3.58	2.9-4.0	1000
21415	GMB-138-66B	091000159902	PA66 UL94V2	Black	7.6	1.1	3.3	13	3.42-3.58	2.4-5.8	1000
21414	GMB-138-66N	091000100002	PA66 UL94V2	Natural	7.6	1.1	3.3	13	3.42-3.58	2.4-5.8	1000
20905	GMB-187-06B	MMB-187-01BK	PA6 UL94V2	Black	12.7	2.2	4	10.9	4.61-4.88	2.5-4.0	1000
20755	GMB-187-06N	MMB-187-01	PA6 UL94V2	Natural	12.7	2.2	4	10.9	4.61-4.88	2.5-4.0	1000
20760	GMB-250-06B	MMB-250-01BK	PA6 UL94V2	Black	12.7	2.2	5.7	16.3±0.4	6.40-6.45	3.5-3.8	1000
20759	GMB-250-06N	MMB-250-01	PA6 UL94V2	Natural	12.7	2.2	5.7	16.3±0.4	6.40-6.45	3.5-3.8	1000

Material: PA6 UL94V2 (GMS-10); PA66 UL94V2 (GMS-65)

Flat Head Mounting Button

GMP/GMP1

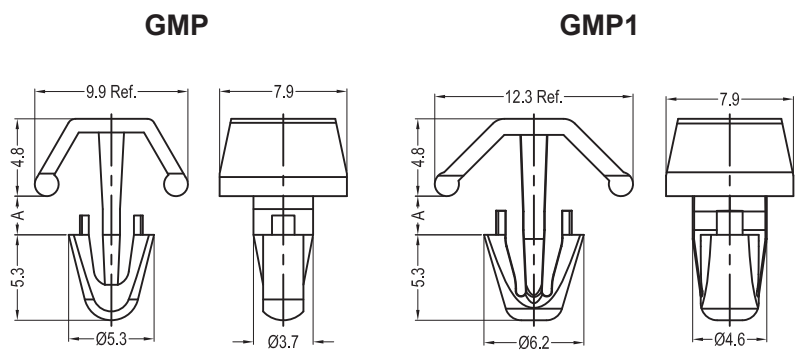
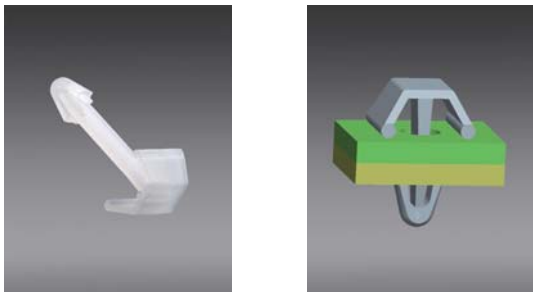


Fig.1

Fig.2

Sizes in mm

P/N.	Article No.	Cross-Ref.	Material	Color	A	Hole	Panel Thickness	FIG.	Packing Unit
40918	GMP-2-66	MB-1-156	PA66 UL94V2	Natural	0.8	4.0±0.08	0.8-2.4	1	1000
40919	GMP-3-66	MB-3-156	PA66 UL94V2	Natural	2.4	4.0±0.08	2.4-4.0	1	1000
40920	GMP-5-66	MB-5-156	PA66 UL94V2	Natural	4.8	4.0±0.08	4.8-5.6	1	1000
40921	GMP-7-66	MB-7-156	PA66 UL94V2	Natural	5.6	4.0±0.08	5.6-7.1	1	1000
40922	GMP-9-66	MB-9-156	PA66 UL94V2	Natural	7.9	4.0±0.08	7.9-9.5	1	1000
40923	GMP-11-66	MB-11-156	PA66 UL94V2	Natural	9.5	4.0±0.08	9.5-11.1	1	1000
40924	GMP-13-66	MB-13-156	PA66 UL94V2	Natural	11.1	4.0±0.08	11.1-12.7	1	1000
40925	GMP-15-66	MB-15-156	PA66 UL94V2	Natural	12.7	4.0±0.08	12.7-14.3	1	1000
40926	GMP-17-66	MB-17-156	PA66 UL94V2	Natural	14.3	4.0±0.08	14.3-15.9	1	1000
42427	GMP1-2-66	MB-1-187	PA66 UL94V2	Natural	0.8	4.8±0.08	0.8-2.4	2	1000
42428	GMP1-3-66	MB-3-187	PA66 UL94V2	Natural	2.4	4.8±0.08	2.4-4.0	2	1000
42429	GMP1-5-66	MB-5-187	PA66 UL94V2	Natural	4.8	4.8±0.08	4.8-5.6	2	1000
42430	GMP1-7-66	MB-7-187	PA66 UL94V2	Natural	5.6	4.8±0.08	5.6-7.1	2	1000
42431	GMP1-9-66	MB-9-187	PA66 UL94V2	Natural	7.9	4.8±0.08	7.9-9.5	2	1000
42432	GMP1-11-66	MB-11-187	PA66 UL94V2	Natural	9.5	4.8±0.08	9.5-11.1	2	1000
42433	GMP1-13-66	MB-13-187	PA66 UL94V2	Natural	11.1	4.8±0.08	11.1-12.7	2	1000
42434	GMP1-15-66	MB-15-187	PA66 UL94V2	Natural	12.7	4.8±0.08	12.7-14.3	2	1000
42435	GMP1-17-66	MB-17-187	PA66 UL94V2	Natural	14.3	4.8±0.08	14.3-15.9	2	1000

Material: PA66 UL94V2 (GMS-01)



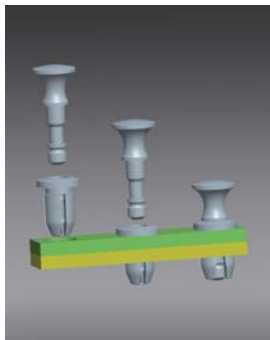
sales@sucatec.com



www.sucatec.com

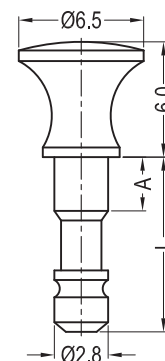
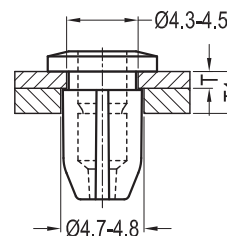
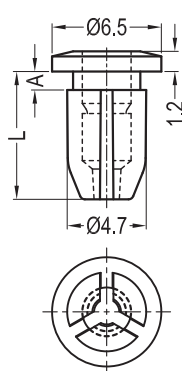
RIVETS AND PANEL FASTENERS

Snap Latch GSLG-S/GSLPB-S



GSLG-S

GSLPB-S



Sizes in mm

P/N.	Article No.	Cross-Ref.	Material	Color	A	L	T	T1	Packing Unit
20489	GSLG-1SB	SLG-1S-B	PC UL94V2	Black	1.1	7.6	1.0	2.0-4.0	1000
20490	GSLG-1SW	SLG-1S-W	PC UL94V2	White	1.1	7.6	1.0	2.0-4.0	1000
20491	GSLG-1S-GR	-	PC UL94V2	Green	1.1	7.6	1.0	2.0-4.0	1000
20508	GSLPB-1SB	SLPB-1S-B	PA6 UL94V2	Black	2.8	9.1	-	-	1000
20509	GSLPB-1SW	SLPB-1S-W	PA6 UL94V2	White	2.8	9.1	-	-	1000
20510	GSLPB-1S-GR	-	PA6 UL94V2	Green	2.8	9.1	-	-	1000
20492	GSLG-2SB	SLG-2S-B	PC UL94V2	Black	1.6	8.1	1.5	2.5-4.5	1000
20493	GSLG-2SW	SLG-2S-W	PC UL94V2	White	1.6	8.1	1.5	2.5-4.5	1000
20511	GSLPB-2SB	SLPB-2S-B	PA6 UL94V2	Black	3.3	9.6	-	-	1000
20512	GSLPB-2SW	SLPB-2S-W	PA6 UL94V2	White	3.3	9.6	-	-	1000

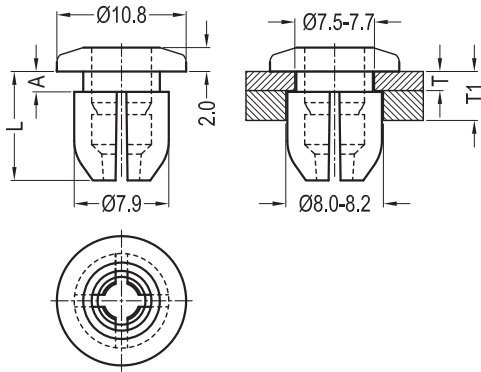
Material: PC UL94V2 (GMS-25); PA6 UL94V2 (GMS-31)

RIVETS AND PANEL FASTENERS

Snap Latch GSLG-L/GSLPL/GSLPB-L



GSLG-L



GSLPL-L

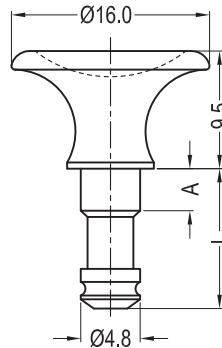


Fig.1

GSLPB-L

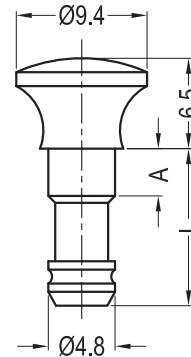


Fig.2

Sizes in mm

P/N.	Article No.	Cross-Ref.	Material	Color	A	L	T	T1	FIG.	Packing Unit
20496	GSLG-SLB	SLG-SLB	PC UL94V2	Black	1.2	8.6	1.1	1.5-3.7	-	1000
20497	GSLG-SLW	SLG-SLW	PC UL94V2	White	1.2	8.6	1.1	1.5-3.7	-	1000
20498	GSLG-1LB	SLG-1LB	PC UL94V2	Black	1.7	9.0	1.6	2.0-4.2	-	1000
20499	GSLG-1LW	SLG-1LW	PC UL94V2	White	1.7	9.0	1.6	2.0-4.2	-	1000
20501	GSLG-2LB	SLG-2LB	PC UL94V2	Black	2.7	10.0	2.5	3.0-5.2	-	1000
20502	GSLG-2LW	SLG-2LW	PC UL94V2	White	2.7	10.0	2.5	3.0-5.2	-	1000
20504	GSLG-3LB	SLG-3LB	PC UL94V2	Black	4.3	11.7	4.1	4.6-6.9	-	1000
20505	GSLG-3LW	SLG-3LW	PC UL94V2	White	4.3	11.7	4.1	4.6-6.9	-	1000
20506	GSLG-4LB	SLG-4LB	PC UL94V2	Black	5.5	12.9	5.3	5.8-8.0	-	1000
20507	GSLG-4LW	SLG-4LW	PC UL94V2	White	5.5	12.9	5.3	5.8-8.0	-	1000
20540	GSLPL-SLB	SLPL-SLB	PA6 UL94V2	Black	2.8	10.7	-	-	1	1000
20541	GSLPL-SLW	SLPL-SLW	PA6 UL94V2	White	2.8	10.7	-	-	1	1000
20536	GSLPL-1LB	SLPL-1LB	PA6 UL94V2	Black	3.4	11.3	-	-	1	1000
20537	GSLPL-1LW	SLPL-1LW	PA6 UL94V2	White	3.4	11.3	-	-	1	1000
20542	GSLPL-2LB	SLPL-2LB	PA6 UL94V2	Black	4.4	12.3	-	-	1	1000
20543	GSLPL-2LW	SLPL-2LW	PA6 UL94V2	White	4.4	12.3	-	-	1	1000
20545	GSLPL-3LB	SLPL-3LB	PA6 UL94V2	Black	6.0	13.9	-	-	1	1000
20546	GSLPL-3LW	SLPL-3LW	PA6 UL94V2	White	6.0	13.9	-	-	1	1000
20547	GSLPL-4LB	SLPL-4LB	PA6 UL94V2	Black	7.2	15.1	-	-	1	1000
20548	GSLPL-4LW	SLPL-4LW	PA6 UL94V2	White	7.2	15.1	-	-	1	1000
20514	GSLPB-SLB	SLPB-SLB	PA6 UL94V2	Black	2.8	10.7	-	-	2	1000
20515	GSLPB-SLW	SLPB-SLW	PA6 UL94V2	White	2.8	10.7	-	-	2	1000
20516	GSLPB-1LB	SLPB-1LB	PA6 UL94V2	Black	3.4	11.3	-	-	2	1000
20517	GSLPB-1LW	SLPB-1LW	PA6 UL94V2	White	3.4	11.3	-	-	2	1000
20519	GSLPB-2LB	SLPB-2LB	PA6 UL94V2	Black	4.4	12.3	-	-	2	1000
20520	GSLPB-2LW	SLPB-2LW	PA6 UL94V2	White	4.4	12.3	-	-	2	1000
20522	GSLPB-3LB	SLPB-3LB	PA6 UL94V2	Black	6.0	13.9	-	-	2	1000
20523	GSLPB-3LW	SLPB-3LW	PA6 UL94V2	White	6.0	13.9	-	-	2	1000
20524	GSLPB-4LB	SLPB-4LB	PA6 UL94V2	Black	7.2	15.1	-	-	2	1000
20525	GSLPB-4LW	SLPB-4LW	PA6 UL94V2	White	7.2	15.1	-	-	2	1000

Material: PC UL94V2 (GMS-25); PA6 UL94V2 (GMS-31)



sales@sucatec.com



www.sucatec.com

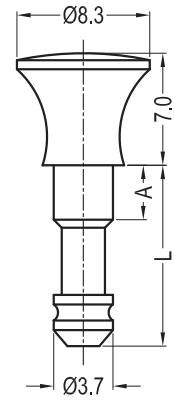
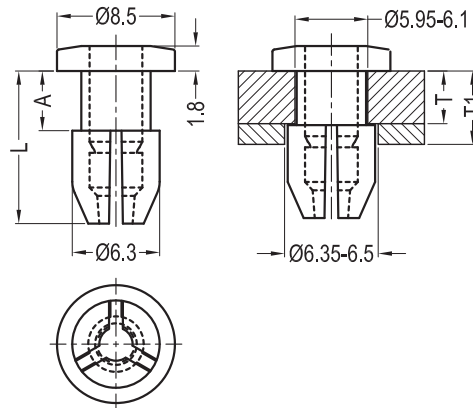
RIVETS AND PANEL FASTENERS

Snap Latch GSLG-M/GSLPB-M



GSLG-M

GSLPB-M



Sizes in mm

P/N.	Article No.	Cross-Ref.	Material	Color	A	L	T	T1	Packing Unit
20479	GSLG-1MB	SLG-1MB	PC UL94V2	Black	1.2	8.0	1.1	1.5-3.7	1000
20480	GSLG-1MW	SLG-1MW	PC UL94V2	White	1.2	8.0	1.1	1.5-3.7	1000
20482	GSLG-2MB	SLG-2MB	PC UL94V2	Black	1.7	8.5	1.6	2.0-4.2	1000
20483	GSLG-2MW	SLG-2MW	PC UL94V2	White	1.7	8.5	1.6	2.0-4.2	1000
20485	GSLG-3MB	SLG-3MB	PC UL94V2	Black	2.7	9.5	2.5	3.0-5.2	1000
20486	GSLG-3MW	SLG-3MW	PC UL94V2	White	2.7	9.5	2.5	3.0-5.2	1000
20487	GSLG-4MB	SLG-4MB	PC UL94V2	Black	4.3	11.0	4.1	4.6-6.9	1000
20488	GSLG-4MW	SLG-4MW	PC UL94V2	White	4.3	11.0	4.1	4.6-6.9	1000
20526	GSLPB-1MB	SLPB-1MB	PA6 UL94V2	Black	2.5	10.3	-	-	1000
20527	GSLPB-1MW	SLPB-1MW	PA6 UL94V2	White	2.5	10.3	-	-	1000
20529	GSLPB-2MB	SLPB-2MB	PA6 UL94V2	Black	3.0	10.8	-	-	1000
20530	GSLPB-2MW	SLPB-2MW	PA6 UL94V2	White	3.0	10.8	-	-	1000
20532	GSLPB-3MB	SLPB-3MB	PA6 UL94V2	Black	4.0	11.8	-	-	1000
20533	GSLPB-3MW	SLPB-3MW	PA6 UL94V2	White	4.0	11.8	-	-	1000
20534	GSLPB-4MB	SLPB-4MB	PA6 UL94V2	Black	5.3	13.1	-	-	1000
20535	GSLPB-4MW	SLPB-4MW	PA6 UL94V2	White	5.3	13.1	-	-	1000

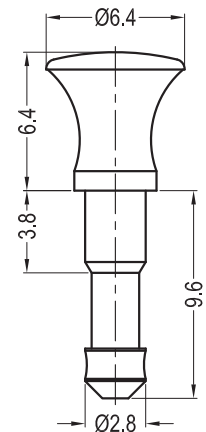
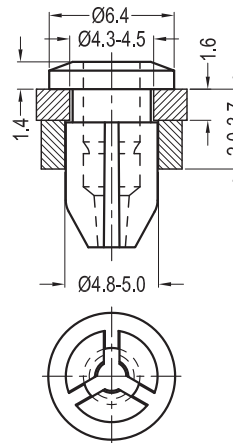
Material: PC UL94V2 (GMS-25); PA6 UL94V2 (GMS-31)

Snap Latch 32K4102/32K4103



32K4103

32K4102



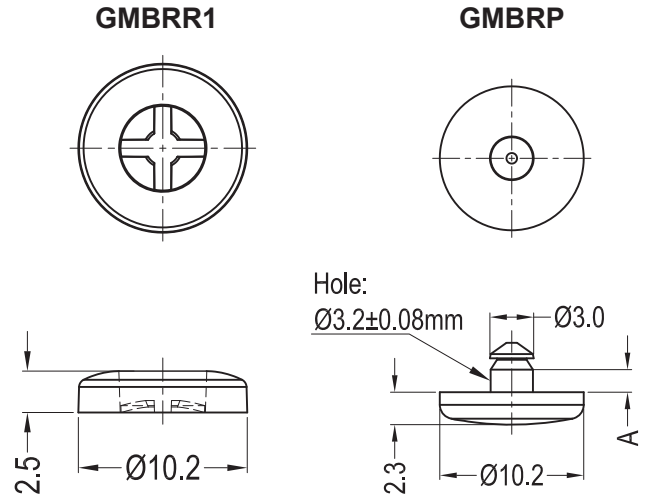
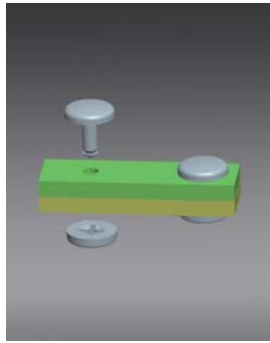
Sizes in mm

P/N.	Article No.	Material	Color	Packing Unit
20549	32K4103	PC UL94V2	Black	1000
20550	32K4102	PA6 UL94V2	Black	1000

Material: PC UL94V2 (GMS-25); PA6 UL94V2 (GMS-31)

RIVETS AND PANEL FASTENERS

Mini Barbed Rivet GMBRR1/GMBRP

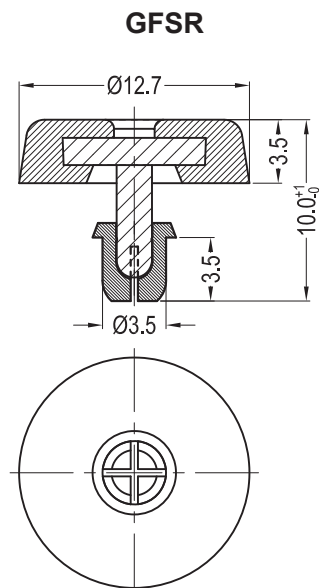


Sizes in mm

P/N.	Article No.	Cross-Ref.	Material	Color	A	Panel Thickness	Packing Unit
20922	GMBRR1-01	MBRR1-01	PA66 UL94V2	Natural	-	-	1000
20923	GMBRP-030-01	MBRP1-030-01	PA66 UL94V2	Natural	1.6	1.2	1000
20924	GMBRP-062-01	MBRP1-062-01	PA66 UL94V2	Natural	2.41	2.0	1000
20925	GMBRP-100-01	MBRP1-100-01	PA66 UL94V2	Natural	3.38	3.0	1000
20926	GMBRP-125-01	MBRP1-125-01	PA66 UL94V2	Natural	4.01	3.5	1000
20927	GMBRP-187-01	MBRP1-187-01	PA66 UL94V2	Natural	5.59	5.1	1000
20928	GMBRP-250-01	MBRP1-250-01	PA66 UL94V2	Natural	7.19	6.7	1000

Material: PA66 UL94V2 (GMS-01)

Soft Fast Foot GFSR



Sizes in mm

P/N.	Article No.	Cross-Ref.	Rivet Material	Foot Material	Color	Hole	Panel Thickness	Packing Unit
30236	GFSR-4	FSR-4	PA6 UL94V2	TPV UL94HB	Black	3.6-3.7	1.2-2.1	1000

Material: PA6 UL94V2 (GMS-10); TPV UL94HB (GMS-32)



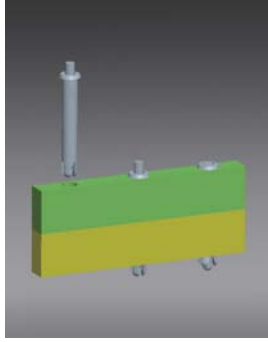
sales@sucatec.com



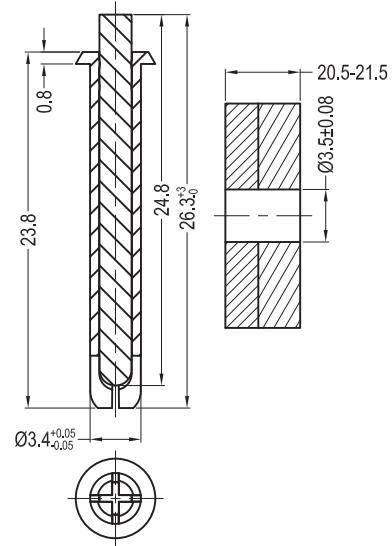
www.sucatec.com

RIVETS AND PANEL FASTENERS

Fan Mount Rivet GR3523B



GR3523B

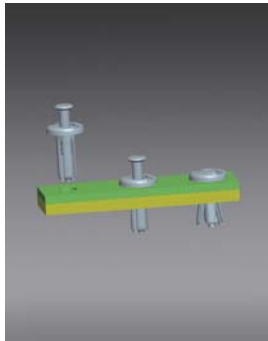


Sizes in mm

P/N.	Article No.	Cross-Ref.	Material	Color	Hole	Panel Thickness	Packing Unit
20930	GR3523B	FR-1	PA6 UL94V2	Black	3.5±0.08	20.5-21.5	1000

Material: PA6 UL94V2 (GMS-10)

Removable Rivet GRR188/GRR250



GRR188

GRR250

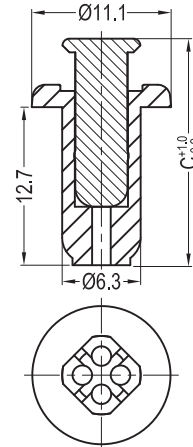
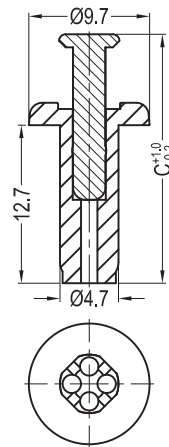


Fig.1

Fig.2

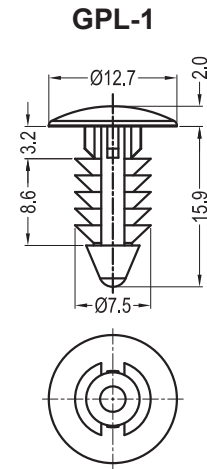
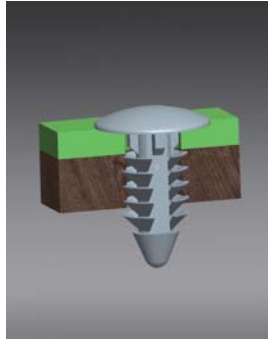
Sizes in mm

P/N.	Article No.	Material	Color	C	Hole	Panel Thickness	FIG.	Packing Unit
20969	GRR188062N	PA66 UL94V2	Natural	21.4	4.78±0.08	1.57	1	1000
20968	GRR188125N	PA66 UL94V2	Natural	19.8	4.78±0.08	3.18	1	1000
20967	GRR250500N	PA66 UL94V2	Natural	20.6	6.35±0.08	1.57	2	1000
20966	GRR250125N	PA66 UL94V2	Natural	19.8	6.35±0.08	3.18	2	1000
20965	GRR250188N	PA66 UL94V2	Natural	18.0	6.35±0.08	4.75	2	1000
21069	GRR188062B	PA66 UL94V2	Black	21.4	4.78±0.08	1.57	1	1000
21068	GRR188125B	PA66 UL94V2	Black	19.8	4.78±0.08	3.18	1	1000
21067	GRR250500B	PA66 UL94V2	Black	21.6	6.35±0.08	1.57	2	1000
21066	GRR250125B	PA66 UL94V2	Black	19.8	6.35±0.08	3.18	2	1000
21065	GRR250188B	PA66 UL94V2	Black	18.0	6.35±0.08	4.75	2	1000

Material: PA66 UL94V2 (GMS-01)

BARBED AND PUSH-FIT FASTENERS

Pawl Lock GPL-1

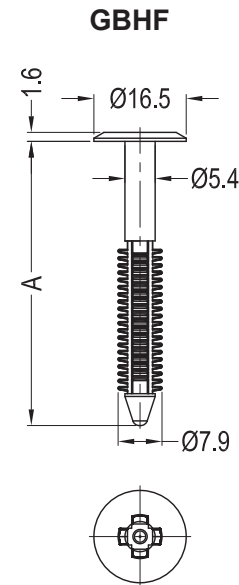
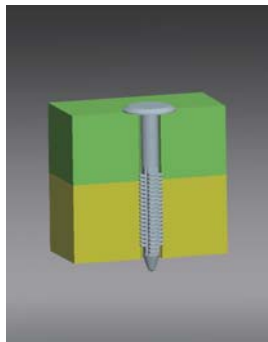


Sizes in mm

P/N.	Article No.	Cross-Ref.	Material	Color	Hole	Packing Unit
20657	GPL-1-66	PL-250-10-01	PA66 UL94V2	Natural	6.35±0.08	1000
20658	GPL-1-66B	PL-250-10-01BK	PA66 UL94V2	Black	6.35±0.08	1000
20722	GPL-1-V0	PL-250-10-19	PA66 UL94V0	Natural	6.35±0.08	1000
20723	GPL-1-V0B	PL-250-10-19BK	PA66 UL94V0	Black	6.35±0.08	1000

Material: PA66 UL94V2 (GMS-01); PA66 UL94V0 (GMS-02)

Barbed Push Fastener GBHF



Sizes in mm

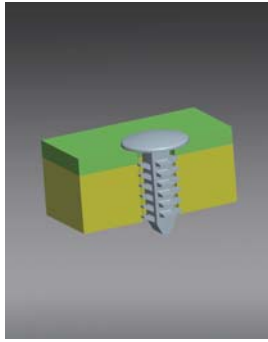
P/N.	Article No.	Cross-Ref.	Material	Color	A	Hole	Panel Thickness	Packing Unit
21135	GBHF-9	BHF-9	PA66 UL94V2	Black	18.7	7.14±0.08	1.9-12.1	1000
21134	GBHF-10	BHF-10	PA66 UL94V2	Black	28.8	7.14±0.08	12.1-22.2	1000
21133	GBHF-11	BHF-11	PA66 UL94V2	Black	32.6	7.14±0.08	1.9-26.0	1000
21132	GBHF-12	BHF-12	PA66 UL94V2	Black	37.7	7.14±0.08	7.0-31.1	1000
21131	GBHF-13	BHF-13	PA66 UL94V2	Black	45.3	7.14±0.08	14.6-38.7	500
21130	GBHF-14	BHF-14	PA66 UL94V2	Black	50.8	7.14±0.08	19.7-43.8	500

Material: PA66 UL94V2 (GMS-01)

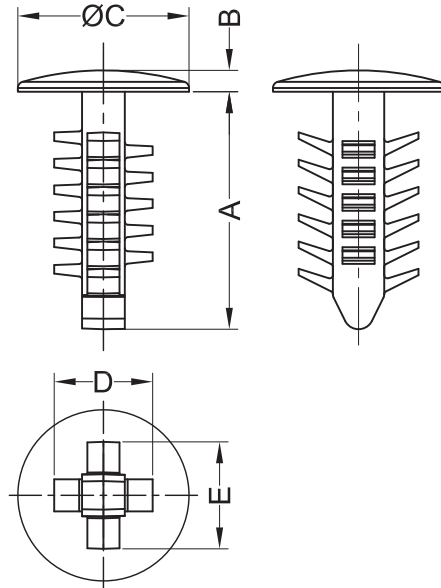


BARBED AND PUSH-FIT FASTENERS

Barbed Push Fastener GRBF



GRBF



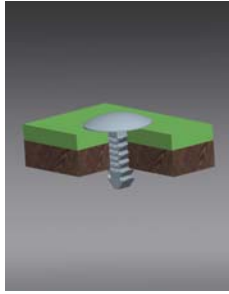
Sizes in mm

P/N.	Article No.	Cross-Ref.	Material	Color	A	B	C	D	E	Hole	Panel Thickness	Packing Unit
21400	GRBF-4-8.6-8	RBF-4-8.6-8	PA66 UL94V2	Black	8.6	1.0	8.0	4.6	5.0	4.0	2.1-4.3	1000
21401	GRBF-4-11.1-8	RBF-4-11.1-8	PA66 UL94V2	Black	11.1	1.0	8.0	4.6	5.0	4.0	2.1-7.2	1000
21402	GRBF-4-15-8	RBF-4-15-8	PA66 UL94V2	Black	15.0	1.0	8.0	4.6	5.0	4.0	5.7-10.7	1000
21125	GRBF-4-8.6-12	RBF-4-8.6-12	PA66 UL94V2	Black	8.6	1.5	12.0	4.6	5.0	4.0	2.1-4.3	1000
21122	GRBF-4-11.1-12	RBF-4-11.1-12	PA66 UL94V2	Black	11.1	1.5	12.0	4.6	5.0	4.0	2.1-7.2	1000
21126	GRBF-4-15-12	RBF-4-15-12	PA66 UL94V2	Black	15.0	1.5	12.0	4.6	5.0	4.0	5.7-10.7	1000
21529	GRBF-4-8.6-16	RBF-4-8.6-16	PA66 UL94V2	Black	8.6	2.0	12.0	4.6	5.0	4.0	2.1-4.3	1000
21530	GRBF-4-11.1-16	RBF-4-11.1-16	PA66 UL94V2	Black	11.1	2.0	12.0	4.6	5.0	4.0	2.1-7.2	1000
21531	GRBF-4-15-16	RBF-4-15-16	PA66 UL94V2	Black	15.0	2.0	12.0	4.6	5.0	4.0	5.7-10.7	1000
21127	GRBF-4.8-8.6-8	RBF-4.8-8.6-8	PA66 UL94V2	Black	8.6	1.0	8.0	5.4	5.6	4.76	2.1-4.3	1000
21120	GRBF-4.8-11.1-8	RBF-4.8-11.1-8	PA66 UL94V2	Black	11.1	1.0	8.0	5.4	5.6	4.76	2.1-7.2	1000
21128	GRBF-4.8-15-8	RBF-4.8-15-8	PA66 UL94V2	Black	15.0	1.0	8.0	5.4	5.6	4.76	5.7-10.7	1000
21532	GRBF-4.8-8.6-12	RBF-4.8-8.6-12	PA66 UL94V2	Black	8.6	1.5	12.0	5.4	5.6	4.76	2.1-4.3	1000
21533	GRBF-4.8-11.1-12	RBF-4.8-11.1-12	PA66 UL94V2	Black	11.1	1.5	12.0	5.4	5.6	4.76	2.1-7.2	1000
21534	GRBF-4.8-15-12	RBF-4.8-15-12	PA66 UL94V2	Black	15.0	1.5	12.0	5.4	5.6	4.76	5.7-10.7	1000
21535	GRBF-4.8-8.6-16	RBF-4.8-8.6-16	PA66 UL94V2	Black	8.6	2.0	16.0	5.4	5.6	4.76	2.1-4.3	1000
21536	GRBF-4.8-11.1-16	RBF-4.8-11.1-16	PA66 UL94V2	Black	11.1	2.0	16.0	5.4	5.6	4.76	2.1-7.2	1000
21537	GRBF-4.8-15-16	RBF-4.8-15-16	PA66 UL94V2	Black	15.0	2.0	16.0	5.4	5.6	4.76	5.7-10.7	1000
21538	GRBF-6.4-8.6-8	RBF-6.4-8.6-8	PA66 UL94V2	Black	8.6	1.0	8.0	7.1	7.5	6.35	2.1-4.3	1000
21539	GRBF-6.4-11.1-8	RBF-6.4-11.1-8	PA66 UL94V2	Black	11.1	1.0	8.0	7.1	7.5	6.35	2.1-7.2	1000
21540	GRBF-6.4-15-8	RBF-6.4-15-8	PA66 UL94V2	Black	15.0	1.0	8.0	7.1	7.5	6.35	5.7-10.7	1000
21403	GRBF-6.4-8.6-12	RBF-6.4-8.6-12	PA66 UL94V2	Black	8.6	1.5	12.0	7.1	7.5	6.35	2.1-4.3	1000
21404	GRBF-6.4-11.1-12	RBF-6.4-11.1-12	PA66 UL94V2	Black	11.1	1.5	12.0	7.1	7.5	6.35	2.1-7.2	1000
21405	GRBF-6.4-15-12	RBF-6.4-15-12	PA66 UL94V2	Black	15.0	1.5	12.0	7.1	7.5	6.35	5.7-10.7	1000
21541	GRBF-6.4-8.6-16	RBF-6.4-8.6-16	PA66 UL94V2	Black	8.6	2.0	16.0	7.1	7.5	6.35	2.1-4.3	1000
21542	GRBF-6.4-11.1-16	RBF-6.4-11.1-16	PA66 UL94V2	Black	11.1	2.0	16.0	7.1	7.5	6.35	2.1-7.2	1000
21543	GRBF-6.4-15-16	RBF-6.4-15-16	PA66 UL94V2	Black	15.0	2.0	16.0	7.1	7.5	6.35	5.7-10.7	1000
21544	GRBF-7.1-11.1-8	RBF-7.1-11.1-8	PA66 UL94V2	Black	11.1	1.0	8.0	8.0	8.4	7.14	2.1-7.2	1000
21452	GRBF-7.1-15-8	RBF-7.1-15-8	PA66 UL94V2	Black	15.0	1.0	8.0	8.0	8.4	7.14	3.8-10.7	1000
21447	GRBF-7.1-19-8	RBF-7.1-19-8	PA66 UL94V2	Black	19.0	1.0	8.0	8.0	8.4	7.14	6.9-14.2	1000
21545	GRBF-7.1-11.1-12	RBF-7.1-11.1-12	PA66 UL94V2	Black	11.1	1.5	12.0	8.0	8.4	7.14	2.1-7.2	1000
21453	GRBF-7.1-15-12	RBF-7.1-15-12	PA66 UL94V2	Black	15.0	1.5	12.0	8.0	8.4	7.14	3.8-10.7	1000
21454	GRBF-7.1-19-12	RBF-7.1-19-12	PA66 UL94V2	Black	19.0	1.5	12.0	8.0	8.4	7.14	6.9-14.2	1000
21546	GRBF-7.1-11.1-16	RBF-7.1-11.1-16	PA66 UL94V2	Black	11.1	2.0	16.0	8.0	8.4	7.14	2.1-7.2	1000
21455	GRBF-7.1-15-16	RBF-7.1-15-16	PA66 UL94V2	Black	15.0	2.0	16.0	8.0	8.4	7.14	3.8-10.7	1000
21456	GRBF-7.1-19-16	RBF-7.1-19-16	PA66 UL94V2	Black	19.0	2.0	16.0	8.0	8.4	7.14	6.9-14.2	1000

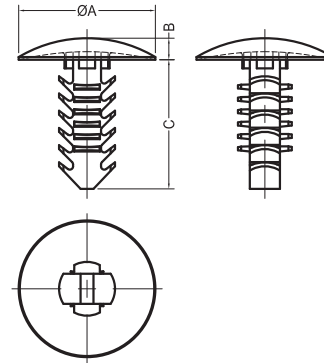
Material: PA66 UL94V2 (GMS-01)

BARBED AND PUSH-FIT FASTENERS

Barbed Push Fastener G27XT/G27MXT



G27XT/G27MXT

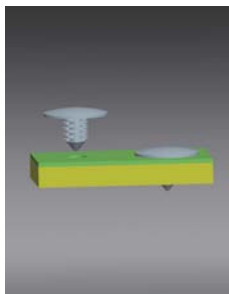


Sizes in mm

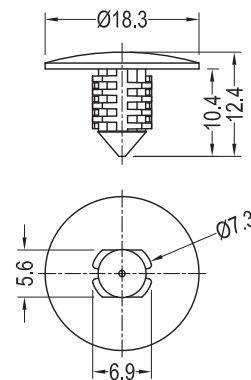
P/N.	Article No.	Cross-Ref.	Material	Color	A	B	C	Hole	Panel Thickness	Packing Unit
21648	G27XT1250375	27XT1250375	PA6 UL94V2	Black	8.7	1.6	11.6	3.2±0.08	1.6-9.5	1000
21563	G27MXT004006	27MXT004006	PA6 UL94V2	Black	11.2	2.0	8.3	4.0±0.08	1.6-6.0	1000
21513	G27XT1880375	27XT1880375	PA6 UL94V2	Black	12.7	2.0	12.0	4.8±0.08	1.6-9.5	1000
21564	G27MXT048159	-	PA6 UL94V2	Black	8.0	2.0	19.0	4.8±0.08	2.1-15.9	1000
21514	G27MXT005006	27MXT005006	PA6 UL94V2	Black	14.0	2.0	8.5	5.0±0.08	1.6-6.0	1000
21562	G27MXT006018	27MXT006018	PA6 UL94V2	Black	16.8	2.0	21.3	6.0±0.08	1.6-18.0	1000
21528	G27XT2500625	27XT2500625	PA6 UL94V2	Black	17.8	2.5	19.2	6.4±0.08	1.6-15.9	1000
21647	G27XT2501750	27XT2501750	PA6 UL94V2	Black	17.8	2.5	47.8	6.4±0.08	1.6-44.5	1000
21650	G27XT2502000	27XT2502000	PA6 UL94V2	Black	17.8	2.5	54.2	6.4±0.08	1.6-50.8	1000
21516	G27XT2811000	27XT2811000	PA6 UL94V2	Black	20.0	2.5	29.1	7.1±0.08	1.6-25.4	1000
21517	G27XT2811250	27XT2811250	PA6 UL94V2	Black	20.0	2.5	35.6	7.1±0.08	1.6-31.8	1000
21518	G27XT3120250	27XT3120250	PA6 UL94V2	Black	22.2	2.5	10.4	7.9±0.08	1.6-6.4	1000
21651	G27XT3120625	27XT3120625	PA6 UL94V2	Black	22.2	2.5	19.9	7.9±0.08	1.6-15.9	1000
21519	G27XT3120750	27XT3120750	PA6 UL94V2	Black	22.2	2.5	22.7	7.9±0.08	1.6-19.1	1000
21646	G27XT3121250	27XT3121250	PA6 UL94V2	Black	22.2	2.5	36.0	7.9±0.08	1.6-31.8	1000
21649	G27XT3752000	27XT3752000	PA6 UL94V2	Black	25.4	2.5	56.2	9.5±0.08	1.6-50.8	1000

Material: PA6 UL94V2 (GMS-31)

Barbed Push Fastener GPFP-1-01



GPFP-1-01



Sizes in mm

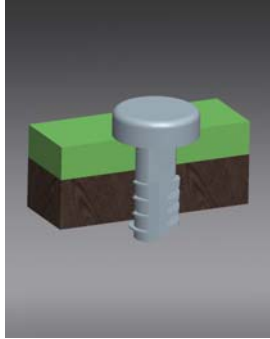
P/N.	Article No.	Material	Color	Hole	Panel Thickness	Packing Unit
20904	GPFP-1-01B	PA66 UL94V2	Black	7.0±0.08	0.8-7.4	1000
21349	GPFP-1-01W	PA66 UL94V2	White	7.0±0.08	0.8-7.4	1000

Material: PA66 UL94V2 (GMS-01)

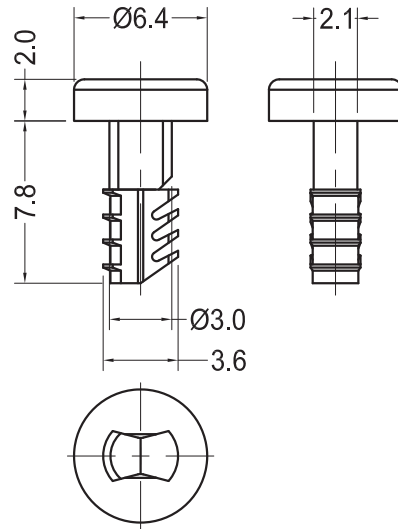


BARBED AND PUSH-FIT FASTENERS

Barbed Push Fastener G27XTS1250308



G27XTS1250308

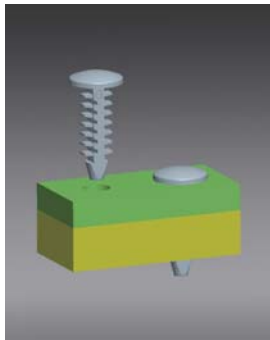


Sizes in mm

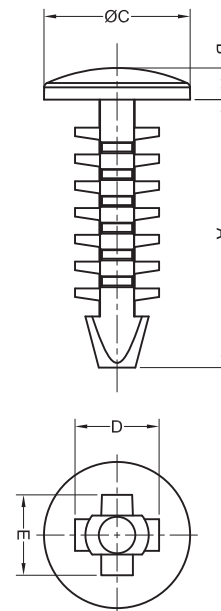
P/N.	Article No.	Cross-Ref.	Material	Color	Hole	Panel Thickness	Packing Unit
21515	G27XTS1250308	27XTS1250308	PA6 UL94V2	Black	3.2±0.08	3.4-6.3	1000

Material: PA6 UL94V2 (GMS-31)

Barbed Push Fastener G167



G167



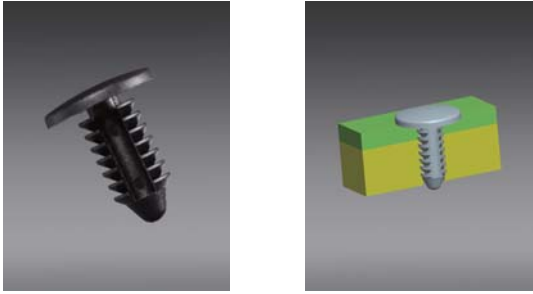
Sizes in mm

P/N.	Article No.	Cross-Ref.	Material	Color	A	B	C	D	E	Hole	Panel Thickness	Packing Unit
21441	G167 2015 000 02	167201500002	PA66 UL94V2	Natural	11.0	1.3	6.0	3.4	3.3	2.7 - 3.3	1.5-8.0	1000
21442	G167 2015 699 02	167201569902	PA66 UL94V2	Black	11.0	1.3	6.0	3.4	3.3	2.7 - 3.3	1.5-8.0	1000

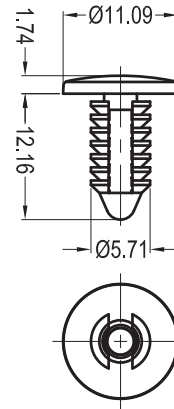
Material: PA66 UL94V2 (GMS-65)

BARBED AND PUSH-FIT FASTENERS

Barbed Push Fastener GW705635



GW705635

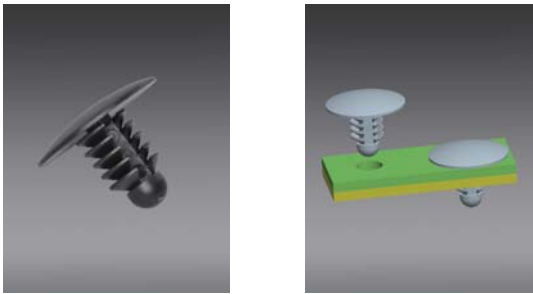


Sizes in mm

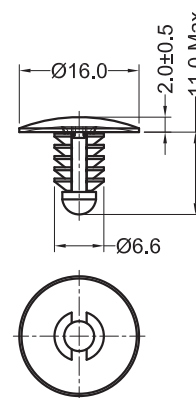
P/N.	Article No.	Cross-Ref.	Material	Color	Hole	Panel Thickness	Packing Unit
10062	GW705635	167103569902	PA66 UL94HB	Black	4.75±0.08	0.76-6.68	1000

Material: PA66 UL94V2 (GMS-33)

Barbed Push Fastener G4822376



G4822376

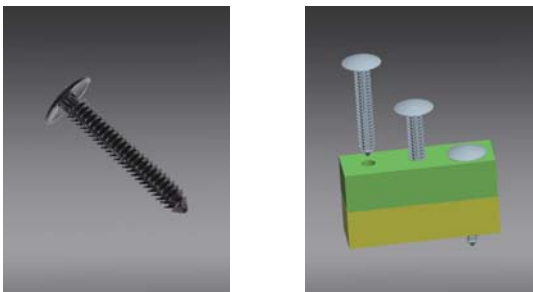


Sizes in mm

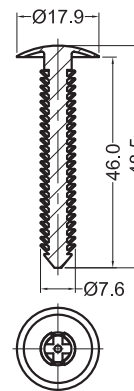
P/N.	Article No.	Material	Color	Hole	Panel Thickness	Packing Unit
10090	G4822376	PA66 UL94V2	Black	5.4±0.08	1.7-5.0	1000

Material: PA66 UL94V2 (GMS-65)

Barbed Push Fastener GT76460



GT76460



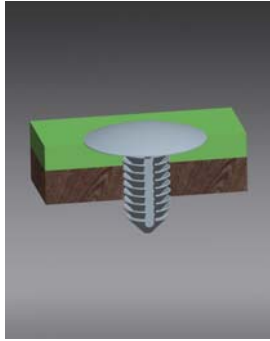
Sizes in mm

P/N.	Article No.	Material	Color	Hole	Panel Thickness	Packing Unit
21458	GT76460	PA6 UL94V2	Black	6.3±0.08	3.5-36.5	1000

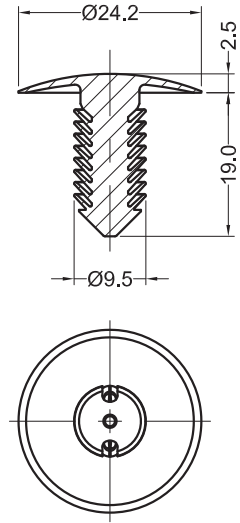


BARBED AND PUSH-FIT FASTENERS

Barbed Push Fastener GT95190



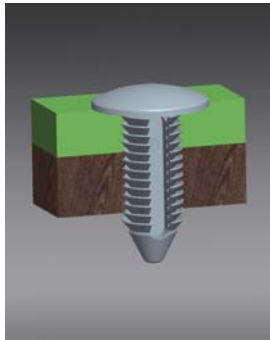
GT95190



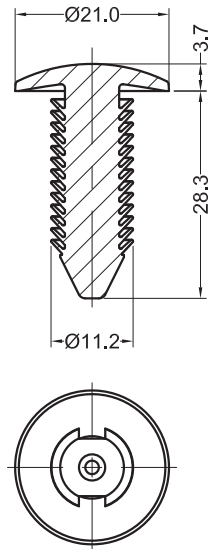
Sizes in mm

<u>P/N.</u>	<u>Article No.</u>	<u>Material</u>	<u>Color</u>	<u>Hole</u>	<u>Panel Thickness</u>	<u>Packing Unit</u>
21548	GT95190	PA6 UL94V2	Black	7.9±0.08	2.5-12.0	1000

Barbed Push Fastener GT112283



GT112283



Sizes in mm

<u>P/N.</u>	<u>Article No.</u>	<u>Material</u>	<u>Color</u>	<u>Hole</u>	<u>Panel Thickness</u>	<u>Packing Unit</u>
21549	GT112283	PA6 UL94V2	Black	9.5±0.08	1.5-19.0	1000

BARBED AND PUSH-FIT FASTENERS

Snap Lock Pin GALP/GALP100

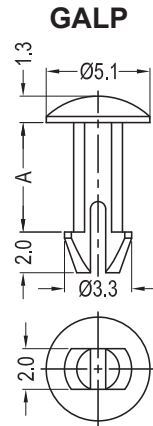
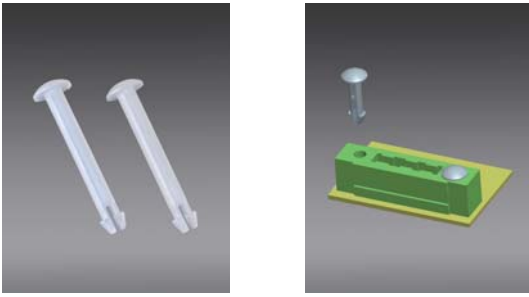


Fig.1

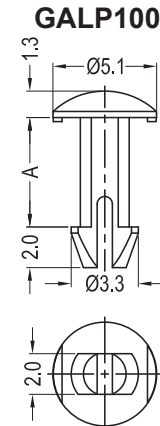


Fig.2

Sizes in mm

P/N.	Article No.	Cross-Ref.	Material	Color	A	Hole	FIG.	Packing Unit
20646	GALP-177-66	SLP-1-100-177-01	PA66 UL94V2	Natural	4.5	2.5±0.05	1	1000
20647	GALP-221-66	SLP-1-100-221-01	PA66 UL94V2	Natural	5.6	2.5±0.05	1	1000
20648	GALP-236-66	SLP-1-100-236-01	PA66 UL94V2	Natural	6.0	2.5±0.05	1	1000
20649	GALP-245-66	SLP-1-100-245-01	PA66 UL94V2	Natural	6.2	2.5±0.05	1	1000
20650	GALP-307-66	SLP-1-100-307-01	PA66 UL94V2	Natural	7.8	2.5±0.05	1	1000
20651	GALP-316-66	SLP-1-100-316-01	PA66 UL94V2	Natural	8.0	2.5±0.05	1	1000
20652	GALP-330-66	SLP-1-100-330-01	PA66 UL94V2	Natural	8.4	2.5±0.05	1	1000
20681	GALP-413-66	SLP-1-100-413-01	PA66 UL94V2	Natural	10.5	2.5±0.05	1	1000
20682	GALP-638-66	SLP-1-100-638-01	PA66 UL94V2	Natural	16.2	2.5±0.05	1	1000
20683	GALP-660-66	SLP-1-100-660-01	PA66 UL94V2	Natural	16.8	2.5±0.05	1	1000
20684	GALP-701-66	SLP-1-100-701-01	PA66 UL94V2	Natural	17.8	2.5±0.05	1	1000
21238	GALP-177-66B	SLP-1-100-177-01BK	PA66 UL94V2	Black	4.5	2.5±0.05	1	1000
21239	GALP-221-66B	SLP-1-100-221-01BK	PA66 UL94V2	Black	5.6	2.5±0.05	1	1000
21240	GALP-236-66B	SLP-1-100-236-01BK	PA66 UL94V2	Black	6.0	2.5±0.05	1	1000
21241	GALP-245-66B	SLP-1-100-245-01BK	PA66 UL94V2	Black	6.2	2.5±0.05	1	1000
21242	GALP-307-66B	SLP-1-100-307-01BK	PA66 UL94V2	Black	7.8	2.5±0.05	1	1000
21243	GALP-316-66B	SLP-1-100-316-01BK	PA66 UL94V2	Black	8.0	2.5±0.05	1	1000
21244	GALP-330-66B	SLP-1-100-330-01BK	PA66 UL94V2	Black	8.4	2.5±0.05	1	1000
21255	GALP-413-66B	SLP-1-100-413-01BK	PA66 UL94V2	Black	10.5	2.5±0.05	1	1000
21256	GALP-638-66B	SLP-1-100-638-01BK	PA66 UL94V2	Black	16.2	2.5±0.05	1	1000
21257	GALP-660-66B	SLP-1-100-660-01BK	PA66 UL94V2	Black	16.8	2.5±0.05	1	1000
21258	GALP-701-66B	SLP-1-100-701-01BK	PA66 UL94V2	Black	17.8	2.5±0.05	1	1000
20781	GALP100-177-66	SLP100-177-01	PA66 UL94V2	Natural	4.5	2.5±0.05	2	1000
20782	GALP100-221-66	SLP100-221-01	PA66 UL94V2	Natural	5.6	2.5±0.05	2	1000
20783	GALP100-236-66	SLP100-236-01	PA66 UL94V2	Natural	6.0	2.5±0.05	2	1000
20784	GALP100-245-66	SLP100-245-01	PA66 UL94V2	Natural	6.2	2.5±0.05	2	1000
20785	GALP100-307-66	SLP100-307-01	PA66 UL94V2	Natural	7.8	2.5±0.05	2	1000
20786	GALP100-316-66	SLP100-316-01	PA66 UL94V2	Natural	8.0	2.5±0.05	2	1000
20787	GALP100-330-66	SLP100-330-01	PA66 UL94V2	Natural	8.4	2.5±0.05	2	1000
21557	GALP100-354-66	-	PA66 UL94V2	Natural	9.0	2.5±0.05	2	1000
20788	GALP100-413-66	SLP100-413-01	PA66 UL94V2	Natural	10.5	2.5±0.05	2	1000
20789	GALP100-638-66	SLP100-638-01	PA66 UL94V2	Natural	16.2	2.5±0.05	2	1000
20790	GALP100-660-66	SLP100-660-01	PA66 UL94V2	Natural	16.8	2.5±0.05	2	1000
20791	GALP100-701-66	SLP100-701-01	PA66 UL94V2	Natural	17.8	2.5±0.05	2	1000
21315	GALP100-177-66B	SLP100-177-01BK	PA66 UL94V2	Black	4.5	2.5±0.05	2	1000
21316	GALP100-221-66B	SLP100-221-01BK	PA66 UL94V2	Black	5.6	2.5±0.05	2	1000
21317	GALP100-236-66B	SLP100-236-01BK	PA66 UL94V2	Black	6.0	2.5±0.05	2	1000
21318	GALP100-245-66B	SLP100-245-01BK	PA66 UL94V2	Black	6.2	2.5±0.05	2	1000
21319	GALP100-307-66B	SLP100-307-01BK	PA66 UL94V2	Black	7.8	2.5±0.05	2	1000
21320	GALP100-316-66B	SLP100-316-01BK	PA66 UL94V2	Black	8.0	2.5±0.05	2	1000
21321	GALP100-330-66B	SLP100-330-01BK	PA66 UL94V2	Black	8.4	2.5±0.05	2	1000
21558	GALP100-354-66B	-	PA66 UL94V2	Black	9.0	2.5±0.05	2	1000
21322	GALP100-413-66B	SLP100-413-01BK	PA66 UL94V2	Black	10.5	2.5±0.05	2	1000
21323	GALP100-638-66B	SLP100-638-01BK	PA66 UL94V2	Black	16.2	2.5±0.05	2	1000
21324	GALP100-660-66B	SLP100-660-01BK	PA66 UL94V2	Black	16.8	2.5±0.05	2	1000
21325	GALP100-701-66B	SLP100-701-01BK	PA66 UL94V2	Black	17.8	2.5±0.05	2	1000

Material: PA66 UL94V2 (GMS-01)



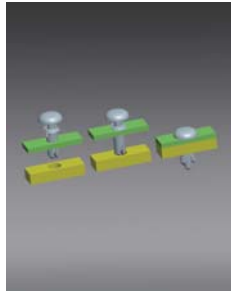
sales@sucatec.com



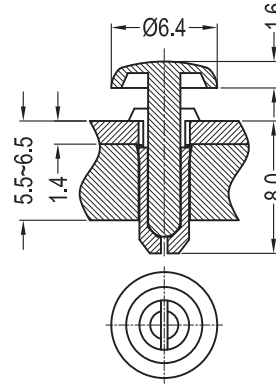
www.sucatec.com

SPECIAL FASTENERS AND FIXINGS

Push Rivet GM-SR3080



GM-SR3080

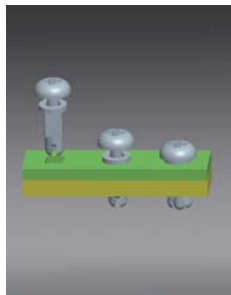


Sizes in mm

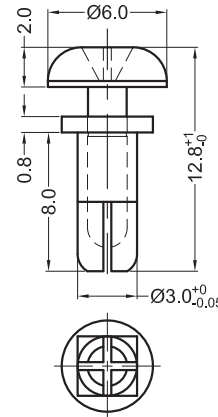
P/N.	Article No.	Material	Color	Hole	Panel Thickness	Packing Unit
20661	GM-SR3080	PA6 UL94V2	Black	3.1-3.2	5.5-6.5	1000

Material: PA6 UL94V2 (GMS-10)

Push Rivet GTR3080B



GTR3080B

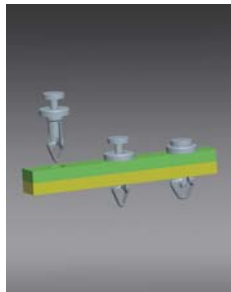


Sizes in mm

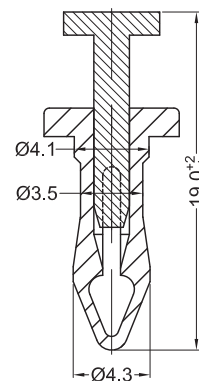
P/N.	Article No.	Body Material	Pin Material	Color	Hole	Panel Thickness	Packing Unit
20264	GTR3080B	PA6 UL94V2	POM UL94HB	Black	3.1-3.2	5.5-6.5	1000

Material: PA6 UL94V2 (GMS-10); POM UL94HB (GMS-30)

Push Rivet GVP4112



GVP4112

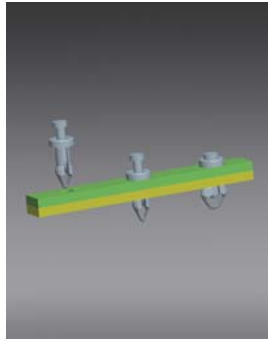


Sizes in mm

P/N.	Article No.	Material	Color	Top Hole	Panel Thickness	Bottom Hole	Panel Thickness	Packing Unit
20677	GVP4112	PA6 UL94V2	Black	4.25±0.08	1.5	3.6±0.08	1.0-3.0	1000

Material: PA6 UL94V2 (GMS-10)

Push Rivet GVP3081 & GVP3095



GVP3081

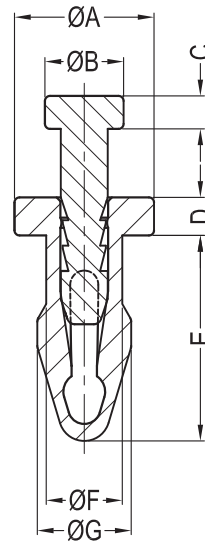


Fig.1

GVP3095

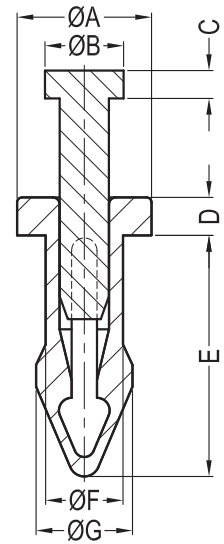


Fig.2

Hole: 3.1-3.3mm
Panel Thickness: 2.7-3.3mm

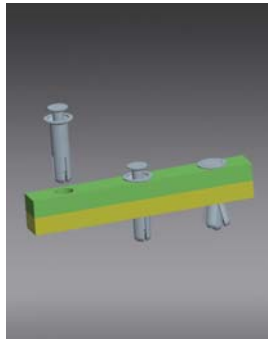
Hole: 3.18±0.08mm
Panel Thickness: 3.94-4.57mm

Sizes in mm

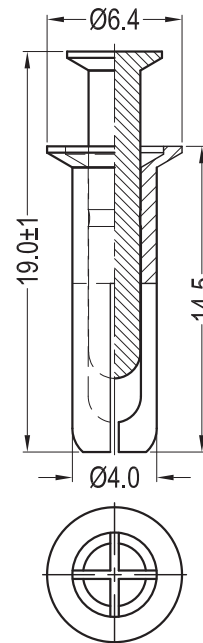
P/N.	Article No.	Cross-Ref.	Material	Color	A	B	C	D	E	F	G	FIG.	Packing Unit
21490	GVP3081	TRM-3	PA6 UL94V2	Black	5.5	3.1	1.3	1.5	8.1	3.0	3.7	1	1000
20826	GVP3095	-	PA6 UL94V2	Black	5.3	3.1	1.1	1.5	9.5	3.05	3.8	2	1000

Material: PA6 UL94V2 (GMS-10)

Push Rivet GVP4145



GVP4145



Sizes in mm

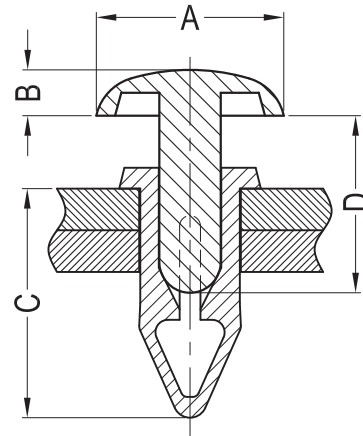
P/N.	Article No.	Material	Color	Hole	Panel Thickness	Packing Unit
20828	GVP4145	PA6 UL94V2	Black	4.1-4.2	9.0-11.0	1000

Material: PA6 UL94V2 (GMS-10)

Push Rivet GSL35-48



GSL35-48

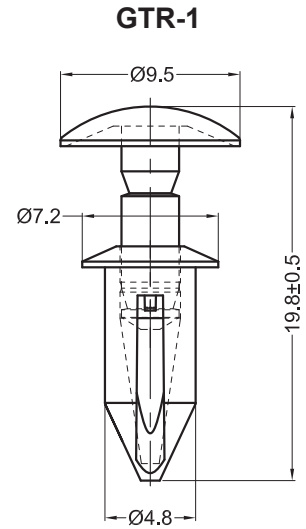
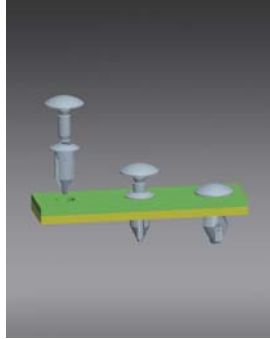


Sizes in mm

P/N.	Article No.	Material	Color	A	B	C	D	Hole	Panel Thickness	Packing Unit
20667	GSL35-1	PA6 UL94V2	Black	6.4	1.6	9.5	7.1	3.6-3.7	2.0-3.5	1000
20734	GSL35-2	PA6 UL94V2	Black	6.4	1.6	11.5	9.0	3.6-3.7	3.5-5.0	1000
20735	GSL35-3	PA6 UL94V2	Black	6.4	1.6	13.5	11.0	3.6-3.7	5.0-6.5	1000
20666	GSL40-1	PA6 UL94V2	Black	8.0	1.8	10.0	7.1	4.1-4.2	2.0-3.5	1000
20736	GSL40-2	PA6 UL94V2	Black	8.0	1.8	12.0	9.0	4.1-4.2	3.5-5.5	1000
20737	GSL40-3	PA6 UL94V2	Black	8.0	1.8	14.0	9.0	4.1-4.2	5.5-7.5	1000
20665	GSL48-1	PA6 UL94V2	Black	9.0	2.2	11.0	8.5	4.9-5.0	2.0-4.0	1000
20738	GSL48-2	PA6 UL94V2	Black	9.0	2.2	13.0	10.5	4.9-5.0	4.0-6.0	1000
20739	GSL48-3	PA6 UL94V2	Black	9.0	2.2	14.5	12.0	4.9-5.0	6.0-8.0	1000

Material: PA6 UL94V2 (GMS-10)

Push Rivet GTR-1

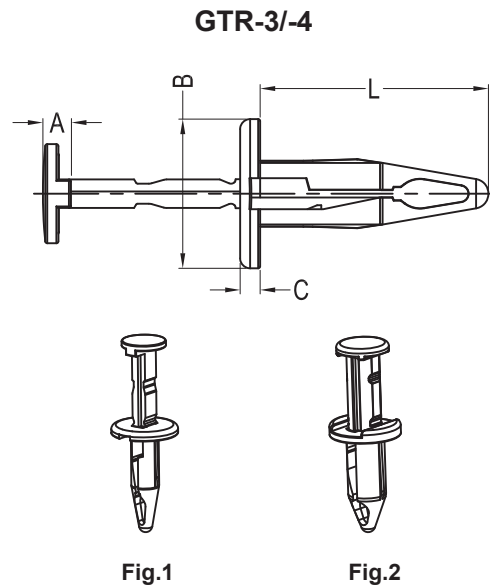
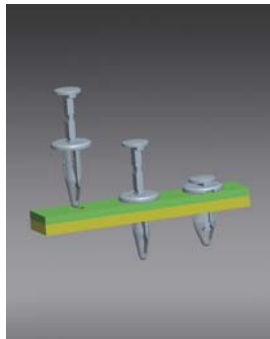


Sizes in mm

P/N.	Article No.	Cross-Ref.	Material	Color	Hole	Panel Thickness	Packing Unit
20962	GTR-1	-	PA66 UL94V2	Black	4.9-5.2	1.5-4.6	1000
21041	GTR-1-1	TR-1	PA66 UL94HB	Black	4.9-5.2	1.5-4.6	1000

Material: PA66 UL94V2 (GMS-01); PA66 UL94HB (GMS-34)

Push Rivet GTR-3/-4



Sizes in mm

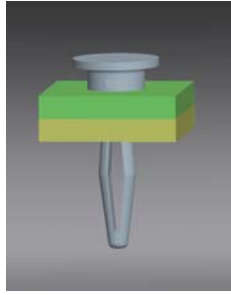
P/N.	Article No.	Cross-Ref.	Material	Color	A	B	C	L	Hole	Panel Thickness	FIG.	Packing Unit
20963	GTR-3	-	PA66 UL94V2	Black	2.8	14.9	2.0	22.8	6.4-7.0	2.5-8.0	1	1000
21039	GTR-3-1	TR-3	PA66 UL94HB	Black	2.8	14.9	2.0	22.8	6.4-7.0	2.5-8.0	1	1000
20964	GTR-4	-	PA66 UL94V2	Black	2.3	14.9	2.7	21.1	8.0-8.3	3.0-8.0	2	1000
21040	GTR-4-1	TR-4	PA66 UL94HB	Black	2.3	14.9	2.7	21.1	8.0-8.3	3.0-8.0	2	1000

Material: PA66 UL94V2 (GMS-01); PA66 UL94HB (GMS-34)

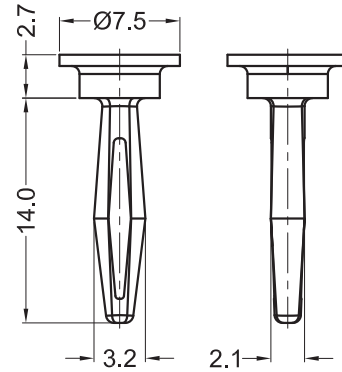
SPECIAL FASTENERS AND FIXINGS

Drive Fastener

GCLP



GCLP



Sizes in mm

P/N.	Article No.	Cross-Ref.	Material	Color	Hole	Panel Thickness	Packing Unit
20664	GCLP-3000	CLP-3000	POM UL94HB	Black	2.5±0.05	2.0-4.0	1000

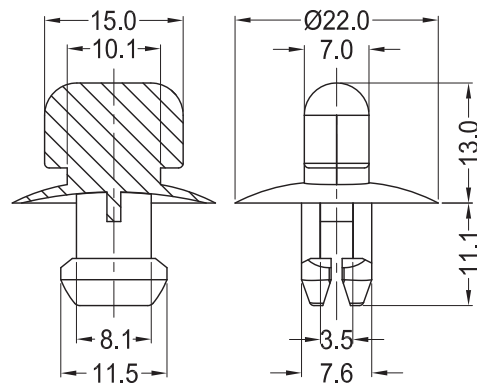
Material: POM UL94HB (GMS-16)

Turn Panel Fastener

G84103-90-010



G84103-90-010



Sizes in mm

P/N.	Article No.	Material	Color	Hole	Panel Thickness	Packing Unit
60180	G84103-90-010	PA6 UL94V2	Black	□ 8.0*12.0(±0.08)	6.0-6.7	1000

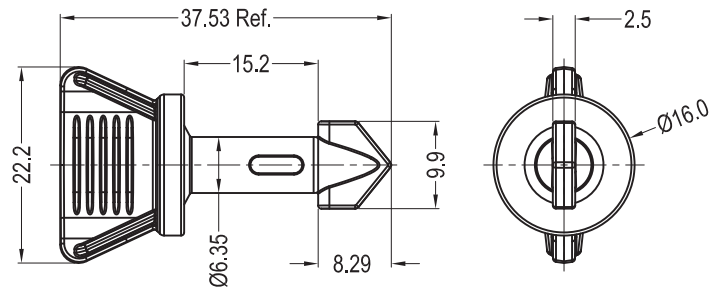
Material: PA6 UL94V2 (GMS-31)

Turn Panel Fastener

G3421293



G3421293



Sizes in mm

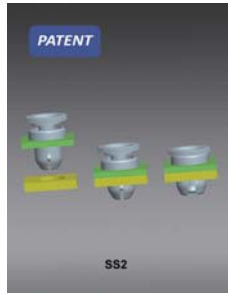
P/N.	Article No.	Material	Color	Packing Unit
10056	G3421293	PA66+GF UL94HB	Black	1000

Material: PA66+GF UL94HB (GMS-35)

SPECIAL FASTENERS AND FIXINGS

Removable Rivet SS1/SS2/GTLP/GTLG

PATENT



SS1

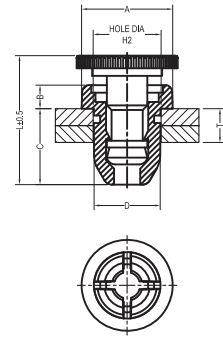
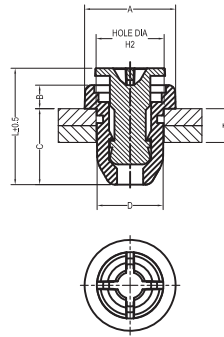
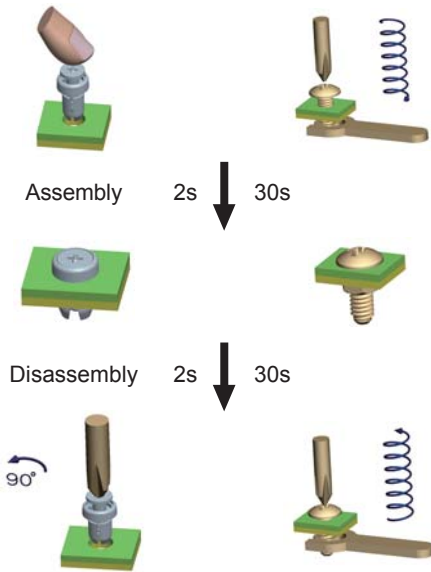


Fig.1

Fig.2

Speed Screw vs. Standard screw



SS2/GTLP/GTLG

SS2

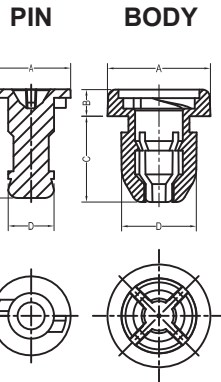


Fig.3

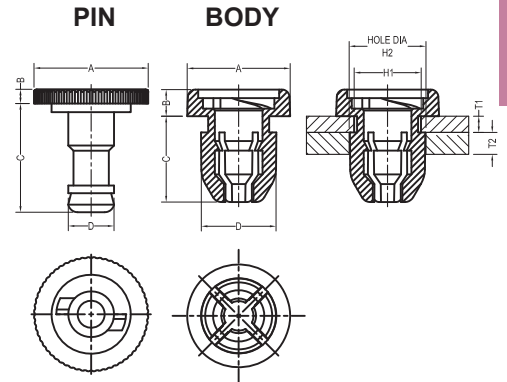


Fig.4

Sizes in mm

P/N.	Article No.	Body Material	Pin Material	Color	A	B	C	D	L	T	T1	H1	T2	H2	FIG.	Packing Unit
21007	SS1-4011	PC UL94V2	PA66+GF UL94HB	Black	6.0	1.7	11.0	4.0	14.4	5.5-6.5	-	-	-	4.1-4.2	1	1000
20729	SS1-6.3	PC UL94V2	PA66+GF UL94HB	Black	9.2	2.8	9.0	6.3	13.8	3.0-4.2	-	-	-	6.35-6.5	1	1000
20696	SS1-7.9	PC UL94V2	PA66+GF UL94HB	Black	10.8	2.8	9.0	7.9	13.8	3.0-4.2	-	-	-	8.0-8.2	1	1000
20798	SS1-1L1	PC UL94V2	PA66+GF UL94HB	Black	10.8	2.8	9.0	7.9	15.3	3.0-4.2	-	-	-	8.0-8.2	2	1000
21115	SS2-6.3P(PIN)	-	PA66+GF UL94HB	Black	7.1	0.9	10.5	3.6	-	-	-	-	-	-	3	1000
21116	SS2-6.3B(BODY)	PC UL94V2	-	Black	9.2	2.8	9.0	6.3	-	-	1.6	5.95-6.1	1.0-2.6	6.35-6.5	3	1000
21113	SS2-7.9P(PIN)	-	PA66+GF UL94HB	Black	8.3	0.9	10.5	4.8	-	-	-	-	-	-	3	1000
21112	SS2-7.9B(BODY)	PC UL94V2	-	Black	10.8	2.8	9.0	7.9	-	-	1.6	7.5-7.7	1.4-2.6	8.0-8.2	3	1000
20705	GTLP-2M(PIN)	-	PA66+GF UL94HB	Black	7.1	0.9	11.1	3.6	-	-	-	-	-	-	3	1000
20704	GTLG-2M(BODY)	PC UL94V2	-	Black	9.2	2.7	9.5	6.3	-	-	2.6	5.95-6.1	1.0-2.6	6.35-6.5	3	1000
20703	GTLG-2L(PIN)	-	PA66+GF UL94HB	Black	8.3	0.9	11.4	4.8	-	-	-	-	-	-	3	1000
20702	GTLG-2L(BODY)	PC UL94V2	-	Black	10.8	2.7	10.0	7.9	-	-	2.6	7.5-7.7	1.4-2.6	8.0-8.2	3	1000
21421	SS2-1L1P(PIN)	-	PA66+GF UL94HB	Black	12.0	1.5	11.4	4.8	-	-	-	-	-	-	4	1000
21112	SS2-7.9B(BODY)	PC UL94V2	-	Black	10.8	2.8	9.0	7.9	-	-	1.6	7.5-7.7	1.4-2.6	8.0-8.2	4	1000

Material: PC UL94V2 (GMS-25); PA66+GF UL94HB(GMS-36)



sales@sucatec.com



www.sucatec.com

SPECIAL FASTENERS AND FIXINGS

Plug GRCP/GRCPW/GRCP-24YS

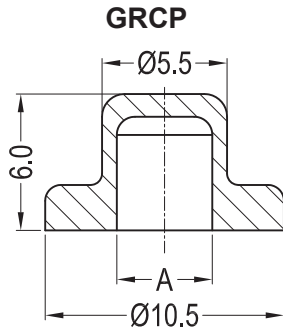
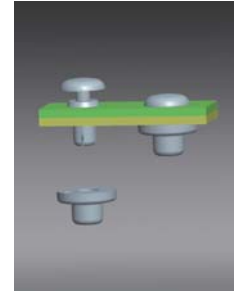


Fig.1

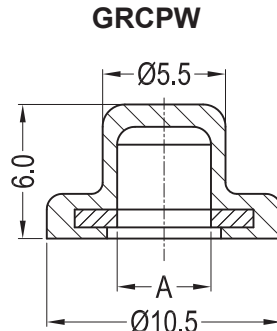


Fig.2

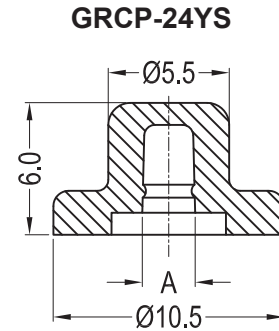


Fig.3

Sizes in mm

P/N.	Article No.	Body Material	Washer Material	Color	A	FIG.	Packing Unit
60620	GRCP-30	TPV UL94HB	-	Black	3.15	1	1000
60031	GRCP-40	TPV UL94HB	-	Black	4.1	1	1000
60341	GRCPW-30	TPV UL94HB	POM UL94HB	Black	3.15	2	1000
60032	GRCPW-40	TPV UL94HB	POM UL94HB	Black	4.1	2	1000
60773	GRCP-24YS	TPV UL94HB	-	Black	2.4	3	1000

Material: TPV UL94HB (GMS-05); POM UL94HB(GMS-16)

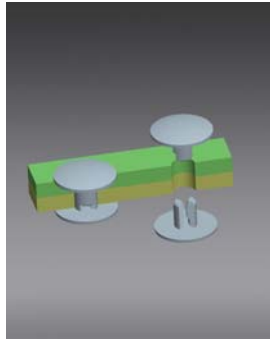
MOUNTING RIVETS

Article No.	Mounting Rivet No.	Hole Dia.	Panel Thickness Range
GRCP-30	GR3045	3.15	0.5-1.5
	GR3055		1.5-2.5
	GR3065		2.5-3.5
	GR3075		3.5-4.5
	GR3080		4.0-5.0
	GR3090		5.0-6.0
	GR3100		6.0-7.0
GRCP-40	GR4050	4.1	0.8-2.0
	GR4060		2.0-3.0
	GR4070		3.0-4.0
	GR4080		4.0-5.0
	GR4090		5.0-6.0
	GR4100		6.0-7.0
	GR4120		8.0-9.0
GRCPW-30	GR3045	3.15	0.5-1.0
	GR3055		1.0-2.0
	GR3065		2.0-3.0
	GR3075		3.0-4.0
	GR3080		3.5-4.5
	GR3090		4.5-5.5
	GR3100		5.5-6.5
GRCPW-40	GR4050	4.1	0.8-1.5
	GR4060		1.5-2.5
	GR4070		2.0-3.5
	GR4080		3.5-4.5
	GR4090		4.5-5.5
	GR4100		5.5-6.5
	GR4120		7.5-8.5
GRCP-24YS	GR2048	2.4	0.5-1.0
	GR2056		1.0-1.5
	GR2064		1.5-2.5
	GR2648		0.5-1.0
	GR2655		1.0-1.5
	GR2664		1.5-2.5
	GR2672		2.5-3.5

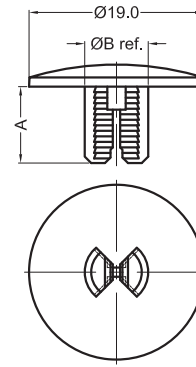


Mini Barbed Rivet

GBR



GBR



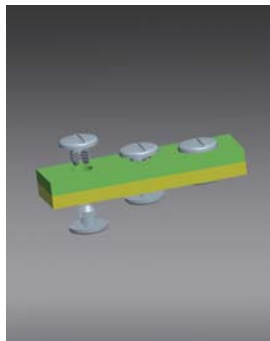
Sizes in mm

P/N.	Article No.	Material	Color	A	B	Hole	Panel Thickness	Packing Unit
20903	GBR-344-B	PA66 UL94V2	Black	8.3	6.9	7.6±0.08	9.8-12.8	1000
20569	GBR-344-UV	PA66 UL94V2 UV Stabilized	Black	8.3	6.9	7.6±0.08	9.8-12.8	1000
20570	GBR-344UV-GR	PA66 UL94V2 UV Stabilized	Green	8.3	6.9	7.6±0.08	9.8-12.8	1000
20571	GBR-344UV-R	PA66 UL94V2 UV Stabilized	Red	8.3	6.9	7.6±0.08	9.8-12.8	1000
20572	GBR-344UV-W	PA66 UL94V2 UV Stabilized	White	8.3	6.9	7.6±0.08	9.8-12.8	1000
21179	GBR-012-B	PA66 UL94V2	Black	12.0	6.9	7.6±0.08	13.5-16.5	1000
21174	GBR-012-UV	PA66 UL94V2 UV Stabilized	Black	12.0	6.9	7.6±0.08	13.5-16.5	1000
21175	GBR-012UV-GR	PA66 UL94V2 UV Stabilized	Green	12.0	6.9	7.6±0.08	13.5-16.5	1000
21176	GBR-012UV-R	PA66 UL94V2 UV Stabilized	Red	12.0	6.9	7.6±0.08	13.5-16.5	1000
21178	GBR-012UV-W	PA66 UL94V2 UV Stabilized	White	12.0	6.9	7.6±0.08	13.5-16.5	1000
21397	GBR-036-B	PA66 UL94V2	Black	35.7	8.6	9.47±0.09	36.0-49.0	1000
21393	GBR-036-UV	PA66 UL94V2 UV Stabilized	Black	35.7	8.6	9.47±0.05	36.0-49.0	1000
21394	GBR-036UV-GR	PA66 UL94V2 UV Stabilized	Green	35.7	8.6	9.47±0.06	36.0-49.0	1000
21395	GBR-036UV-R	PA66 UL94V2 UV Stabilized	Red	35.7	8.6	9.47±0.07	36.0-49.0	1000
21396	GBR-036UV-W	PA66 UL94V2 UV Stabilized	White	35.7	8.6	9.47±0.08	36.0-49.0	1000

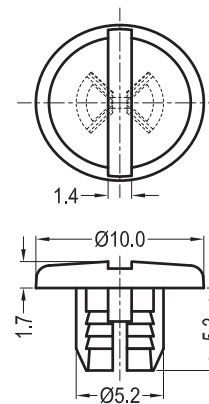
Material: PA66 UL94V2 (GMS-01); PA66 UL94V2 UV Stabilized (GMS-09)

Mini Barbed Rivet

G096



G096



Sizes in mm

P/N.	Article No.	Body Material	Pin Material	Color	Hole	Panel Thickness	Packing Unit
21129	G096 0655 351 01	096065535101	PA6 UL94V2	Luminescent Yellow	5.5±0.08	5.4-7.0	1000
21348	G096 0655 000 01	096065500001	PA6 UL94V2	Natural	5.5±0.08	5.4-7.0	1000
21435	G096 0655 599 01	096065559901	PA6 UL94V2	Black	5.5±0.08	5.4-7.0	1000

Material: PA6 UL94V2 (GMS-31)

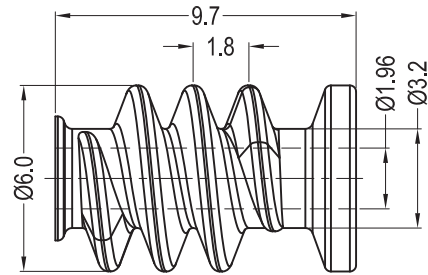
SPECIAL FASTENERS AND FIXINGS

Screw

G133103055-A



G133103055-A



Endless Screw M=0.6

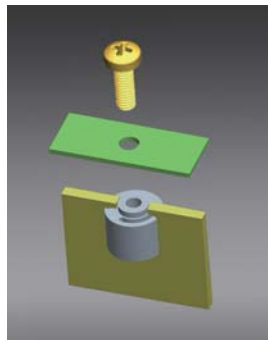
Sizes in mm

P/N.	Article No.	Material	Color	Packing Unit
60151	G133103055-A	POM UL94HB	Black	1000

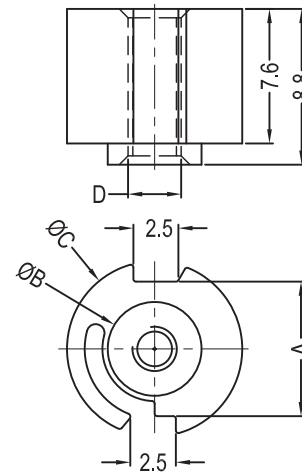
Material: POM UL94HB (GMS-30)

Sheet Edge Insert

GSEI



GSEI



Sizes in mm

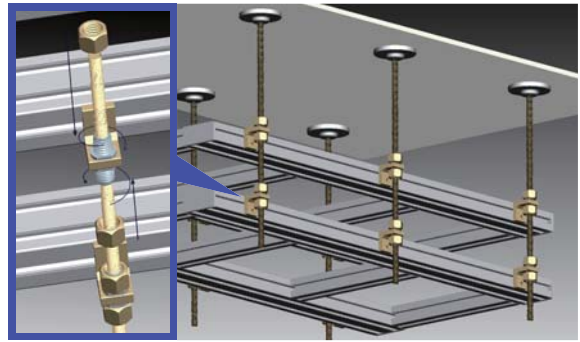
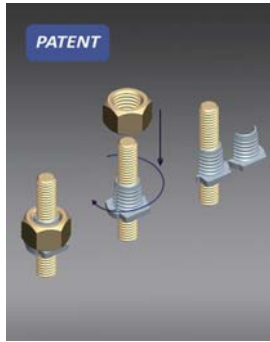
P/N.	Article No.	Cross-Ref.	Material	Color	A	B	C	D	Packing Unit
40583	GSEI-(#6-32)-B1	SEI-1	PA66 UL94V2	Black	7.6	5.3	9.9	#6-32	1000
40595	GSEI-(#6-32)-B3	-	PA46 UL94V2	Black	7.6	5.3	9.9	#6-32	1000
40659	GSEI-(#6-32)-V0	-	PA66 UL94V0	Black	7.6	5.3	9.9	#6-32	1000
40584	GSEI-M3-B1	SEI-3	PA66 UL94V2	Black	7.6	5.3	9.9	M3	1000
40586	GSEI-M3-B3	-	PA46 UL94V2	Black	7.6	5.3	9.9	M3	1000
40587	GSEI-M4-B1	SEI-2	PA66 UL94V2	Black	7.6	5.3	9.9	M4	1000
40597	GSEI-M4-B3	-	PA46 UL94V2	Black	7.6	5.3	9.9	M4	1000
40588	GSEI-M5-B1	SEI-4	PA66 UL94V2	Black	8.6	6.3	10.9	M5	1000
40590	GSEI-M5-B3	-	PA46 UL94V2	Black	8.6	6.3	10.9	M5	1000
40591	GSEI-M6-B1	SEI-5	PA66 UL94V2	Black	8.6	6.3	10.9	M6	1000
40593	GSEI-M6-B3	-	PA46 UL94V2	Black	8.6	6.3	10.9	M6	1000

Material: PA66 UL94V2 (GMS-01); PA66 UL94V0 (GMS-02); PA46 UL94V2 (GMS-07)

SPECIAL FASTENERS AND FIXINGS

Quick Lock Nut Holder Fast Lock

PATENT



Fast Lock

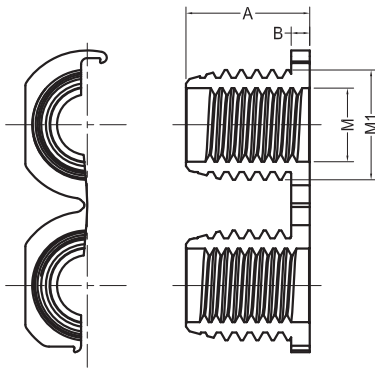


Fig.1

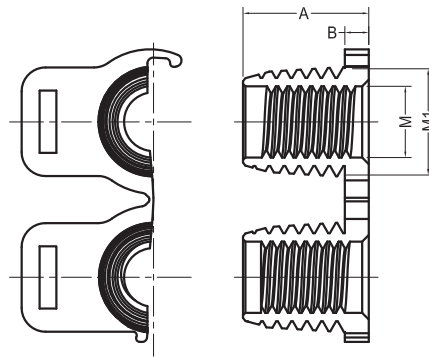


Fig.2

Sizes in mm

P/N.	Article No.	Material	Color	A	B	M	M1	FIG.	Packing Unit
61388	Fast Lock M5-1	PA66 UL94V2	Black	9.0	1.5	M5x0.8	M8x1.25	1	1000
61389	Fast Lock M5-2	PA66 UL94V2	Black	12.0	2.0	M5x0.8	M8x1.25	2	1000
61318	Fast Lock M6-1	PA66 UL94V2	Black	10.0	1.5	M6x1.0	M9x1.25	1	1000
61319	Fast Lock M6-2	PA66 UL94V2	Black	13.0	2.0	M6x1.0	M9x1.25	2	1000
61390	Fast Lock M8-1	PA66 UL94V2	Black	13.0	2.0	M8x1.25	M12x1.75	1	1000
61391	Fast Lock M8-2	PA66 UL94V2	Black	16.0	2.5	M8x1.25	M12x1.75	2	1000
61392	Fast Lock M10-1	PA66 UL94V2	Black	15.0	2.0	M10x1.5	M14x2.0	1	1000
61393	Fast Lock M10-2	PA66 UL94V2	Black	18.0	2.5	M10x1.5	M14x2.0	2	1000

Material: PA66 UL94V2 (GMS-01)

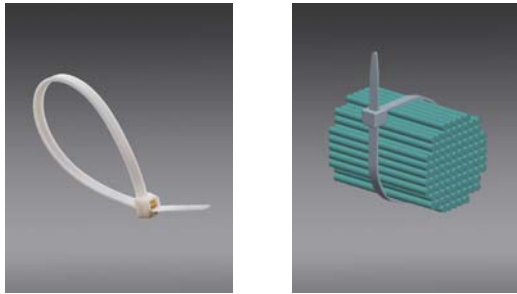
C



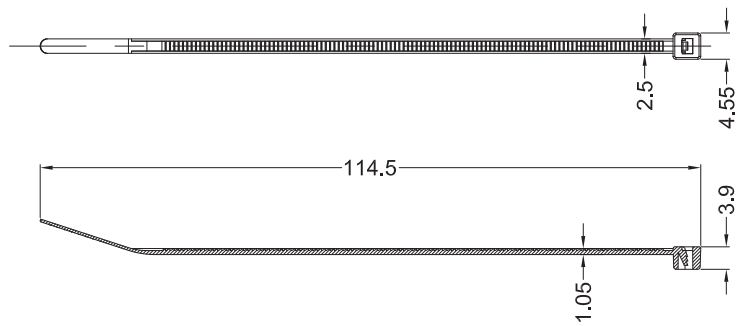
CABLE TIES

Reversed Cable Ties

GRCT



GRCT



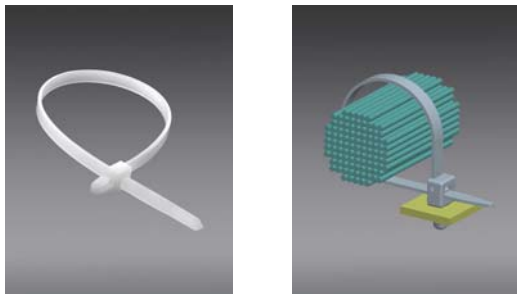
Sizes in mm

P/N.	Article No.	Material	Color	Bundle Ø	Min. Loop Tensile Strength	Packing Unit
61146	GRCT-115-66	PA66 UL94V2	Natural	6.0-27.0	8.0Kgf	1000

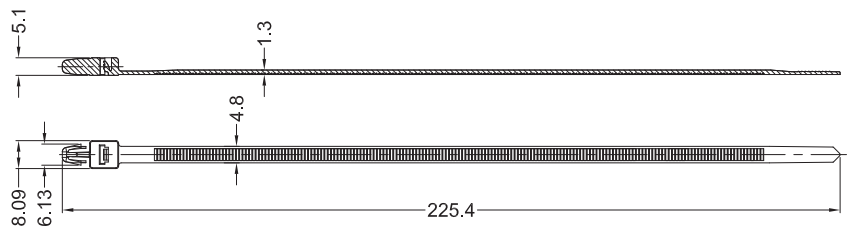
Material: PA66 UL94V2 (GMS-01)

Push-Mount Ties

GWIT-50RLA



GWIT-50RLA



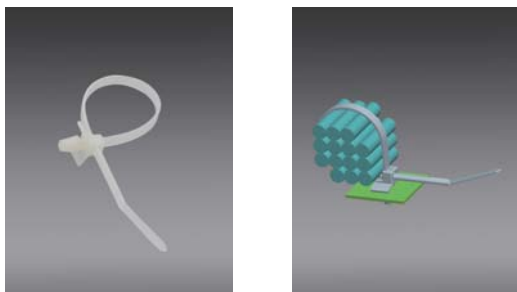
Sizes in mm

P/N.	Article No.	Cross-Ref.	Material	Color	Bundle Ø	Hole	Panel Thickness	Min. Loop Tensile Strength	Packing Unit
60424	GWIT-50RLA	WIT-50RLA-M	PA66 UL94V2	Natural	15.0-50.8	4.8±0.08	2.36	22.0Kgf	1000

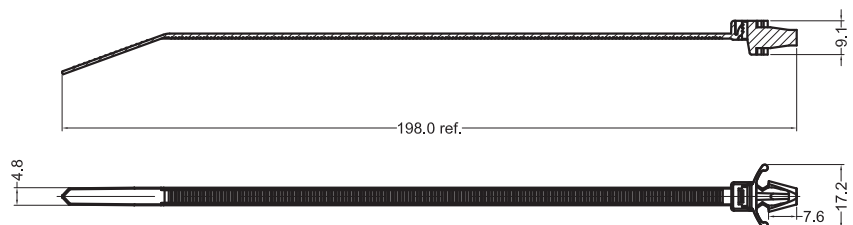
Material: PA66 UL94V2 (GMS-01)

Push-Mount Ties

GWIT-50RA



GWIT-50RA



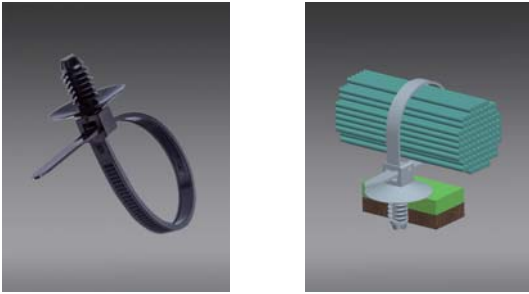
Sizes in mm

P/N.	Article No.	Cross-Ref.	Material	Color	Bundle Ø	Hole	Panel Thickness	Min. Loop Tensile Strength	Packing Unit
61351	GWIT-50RA-01	WIT-50RA-01	PA66 UL94V2	Natural	Max.43.0	6.4±0.08	1.6	22.0Kgf	500

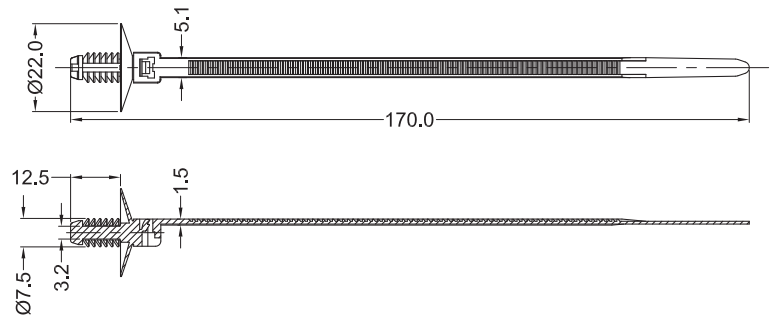
Material: PA66 UL94V2 (GMS-65)

CABLE TIES

Blind Hole Mount Cable Ties GT50SDP6



GT50SDP6

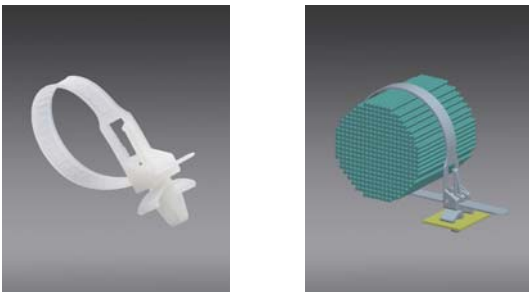


Sizes in mm

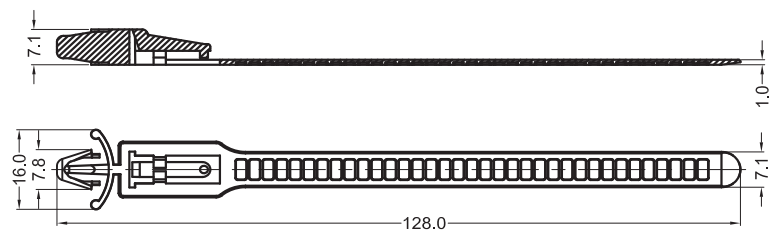
P/N.	Article No.	Material	Color	Bundle Ø	Hole	Panel Thickness	Min. Loop Tensile Strength	Packing Unit
10034	GT50SDP6	PA66 UL94V2	Black	Max. 31.0	6.2-6.4	0.8-7.0	20.0Kgf	200

Material: PA66 UL94V2 (GMS-01)

Tie On Push Mount Cable Ties GTOA



GTOA



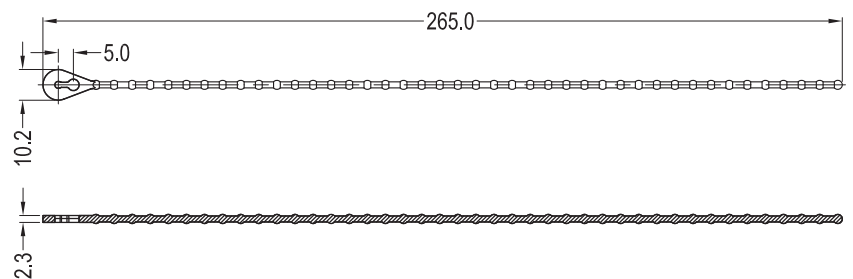
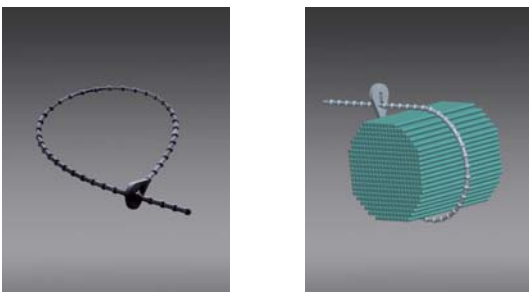
Sizes in mm

P/N.	Article No.	Cross-Ref.	Material	Color	Bundle Ø	Hole	Panel Thickness	Min. Loop Tensile Strength	Packing Unit
60051	GTOA-118-66	TOAH-18-01	PA66 UL94V2	Natural	12.0-30.0	6.35±0.08	1.6	20.0Kgf	500
60492	GTOA-118-V0	TOAH-18-19	PA66 UL94V0	Natural	12.0-30.0	6.35±0.08	1.6	20.0Kgf	500

Material: PA66 UL94V2 (GMS-01); PA66 UL94V0 (GMS-02)

Releasable Beaded Ties G0113 0002 010

G0113 0002 010



Sizes in mm

P/N.	Article No.	Material	Color	Bundle Ø	Min. Loop Tensile Strength	Packing Unit
60467	G0113 0002 010-66B	PA66 UL94V2	Black	10.0-75.0	22.0Kgf	1000
60604	G0113 0002 010-6B	PA6 UL94V2	Black	10.0-75.0	22.0Kgf	1000

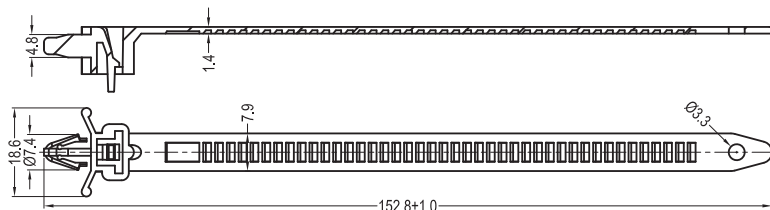
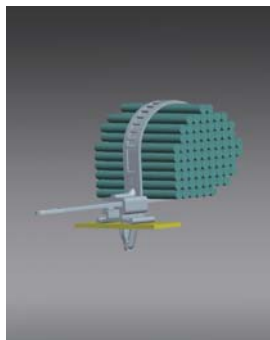
Material: PA66 UL94V2 (GMS-01); PA6 UL94V2 (GMS-10)



CABLE TIES

Push-Mount Ties G201

G201



Sizes in mm

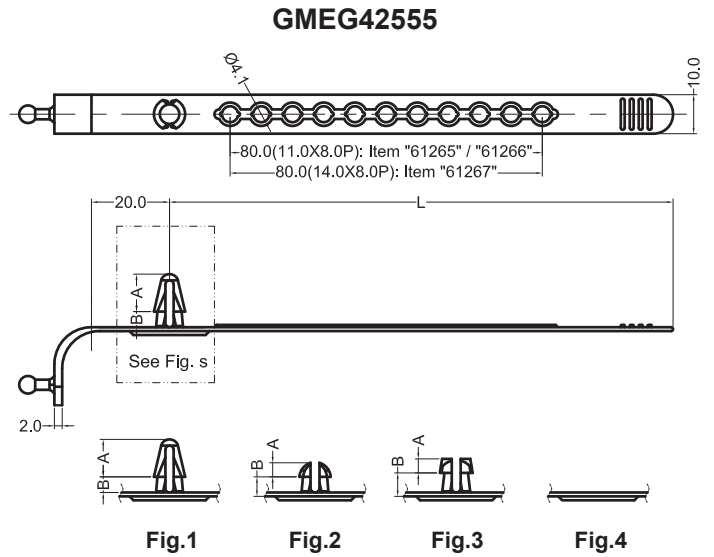
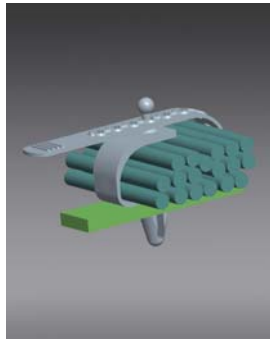
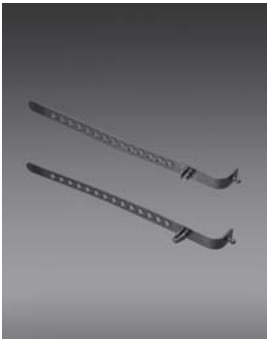
P/N.	Article No.	Cross-Ref.	Material	Color	Bundle Ø	Hole	Panel Thickness	Min. Loop Tensile Strength	Packing Unit
60921	G201003069902	201003069902	PA66 UL94V2	Black	5.0-35.0	6.0±0.08	0.8-1.6	40.8Kgf	200

Material: PA66 UL94V2 (GMS-01)

D

CABLE TIES

Tie On Push Mount Cable Ties GMEG42555

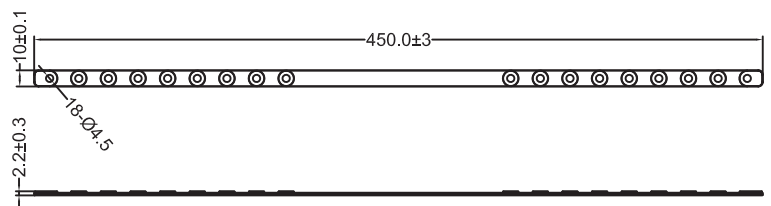
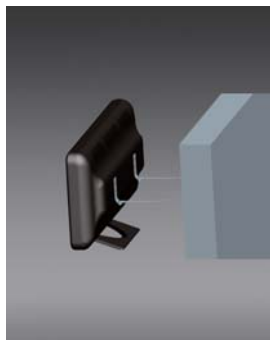
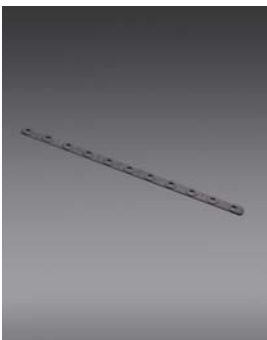


Sizes in mm

P/N.	Article No.	Material	Color	A	B	L	Bundle Ø	Hole	Panel Thickness	FIG.	Packing Unit
61265	GMEG4255501	LDPE UL94HB	Black	9.6	4.0	129.0	Max. 40.0	7.3±0.08	Max. 4.0	1	500
61266	GMEG4255502	LDPE UL94HB	Black	3.6	4.0	129.0	Max. 40.0	7.0±0.08	Max. 3.5	2	500
61267	GMEG4255503	LDPE UL94HB	Black	3.6	5.0	145.0	Max. 45.0	7.3±0.08	Max. 4.0	3	500
61268	GMEG4255506	LDPE UL94HB	Black	-	-	129.0	Max. 40.0	-	-	4	500

Nylon Vibration Holder GMEG648210

GMEG648210



Sizes in mm

P/N.	Article No.	Material	Color	Packing Unit
61285	GMEG648210	PA66 UL94V2	Black	400

CABLE TIES

Rivet Mount Cable Tie GRRCT Black

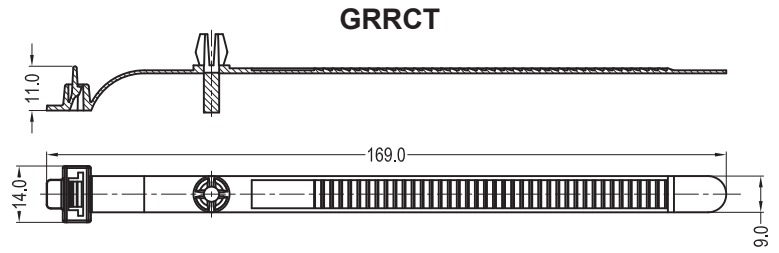
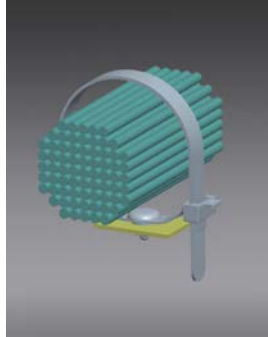


Fig.1

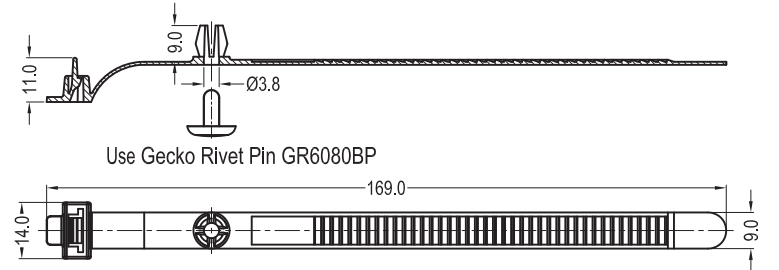


Fig.2

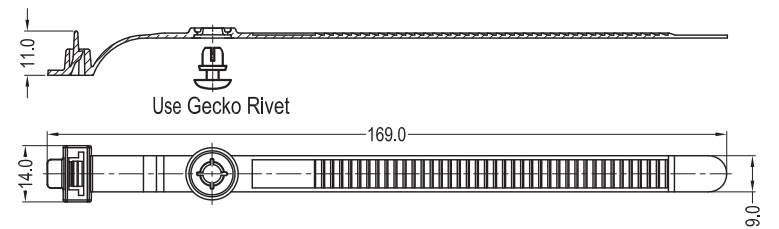


Fig.3

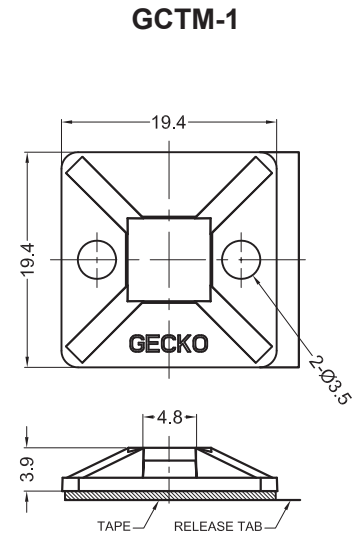
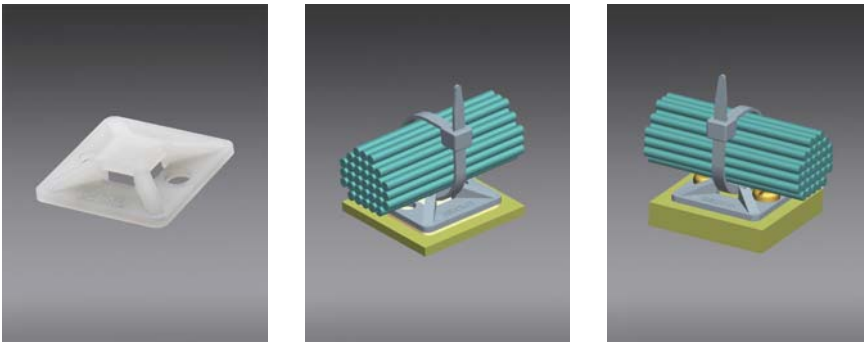
Sizes in mm

P/N.	Article No.	Cross-Ref.	Mounting Rivet	Cable Tie Material	Rivet Material	Bundle Ø	Hole	Panel Thickness	Min. Loop Tensile Strength	FIG.	Packing Unit
60000	GRRCT-01A	SRRCT-1	-	PA66 UL94V2	-	19.0-43.0	7.0±0.08	1.0-2.5	40.0Kgf	1	200
60002	GRRCT-02A	SRRCT-2	GR6080BP	PA66 UL94V2	PA6 UL94V2	19.0-43.0	7.0±0.08	1.0-2.5	40.0Kgf	2	200
60172	GRRCT-04	-	-	PA66 UL94V2	-	19.0-43.0	-	-	40.0Kgf	3	200
60176	GRRCT-04B-50	-	GR4050B	PA66 UL94V2	PA6 UL94V2	19.0-43.0	4.1-4.2	0.8-1.8	40.0Kgf	3	200
60436	GRRCT-04B-60	-	GR4060B	PA66 UL94V2	PA6 UL94V2	19.0-43.0	4.1-4.2	1.8-2.8	40.0Kgf	3	200
60437	GRRCT-04B-70	-	GR4070B	PA66 UL94V2	PA6 UL94V2	19.0-43.0	4.1-4.2	2.8-3.8	40.0Kgf	3	200
60438	GRRCT-04B-80	-	GR4080B	PA66 UL94V2	PA6 UL94V2	19.0-43.0	4.1-4.2	3.8-4.8	40.0Kgf	3	200
60439	GRRCT-04B-90	-	GR4090B	PA66 UL94V2	PA6 UL94V2	19.0-43.0	4.1-4.2	4.8-5.8	40.0Kgf	3	200
60440	GRRCT-04B-100	-	GR4100B	PA66 UL94V2	PA6 UL94V2	19.0-43.0	4.1-4.2	5.8-6.8	40.0Kgf	3	200
60441	GRRCT-04B-120	-	GR4120B	PA66 UL94V2	PA6 UL94V2	19.0-43.0	4.1-4.2	7.3-8.8	40.0Kgf	3	200
60171	GRRCT-05	-	-	PA66 UL94V2	-	19.0-43.0	-	-	40.0Kgf	3	200
60175	GRRCT-05B-45	-	GR5045B	PA66 UL94V2	PA6 UL94V2	19.0-43.0	5.1-5.2	≤0.8	40.0Kgf	3	200
60430	GRRCT-05B-55	-	GR5055B	PA66 UL94V2	PA6 UL94V2	19.0-43.0	5.1-5.2	0.8-1.8	40.0Kgf	3	200
60431	GRRCT-05B-65	-	GR5065B	PA66 UL94V2	PA6 UL94V2	19.0-43.0	5.1-5.2	1.8-2.8	40.0Kgf	3	200
60432	GRRCT-05B-75	-	GR5075B	PA66 UL94V2	PA6 UL94V2	19.0-43.0	5.1-5.2	2.8-3.8	40.0Kgf	3	200
60433	GRRCT-05B-85	-	GR5085B	PA66 UL94V2	PA6 UL94V2	19.0-43.0	5.1-5.2	3.8-4.8	40.0Kgf	3	200
60434	GRRCT-05B-95	-	GR5095B	PA66 UL94V2	PA6 UL94V2	19.0-43.0	5.1-5.2	4.8-5.8	40.0Kgf	3	200
60435	GRRCT-05B-105	-	GR5105B	PA66 UL94V2	PA6 UL94V2	19.0-43.0	5.1-5.2	5.8-6.8	40.0Kgf	3	200

Material: PA66 UL94V2 (GMS-01); PA6 UL94V2 (GMS-10)

CABLE TIE HOLDER

Cable Tie Holder, Adhesive, Screw-In GCTM-1

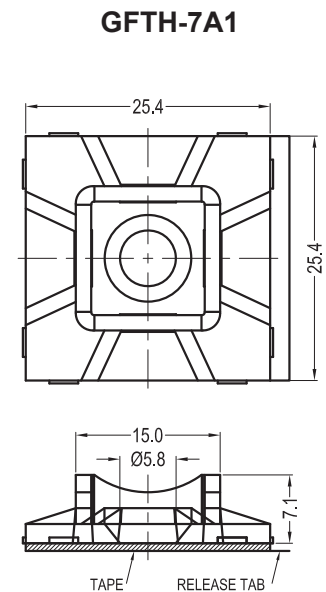
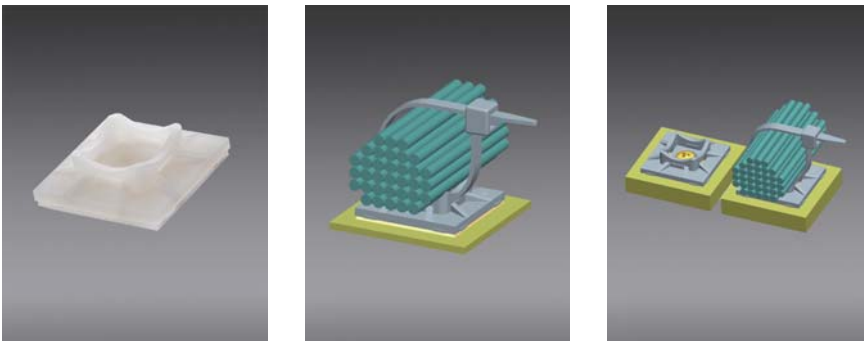


Sizes in mm

P/N.	Article No.	Material	Material I	Adhesive Tape	Color	Packing Unit
60074	GCTM-1-66	PA66 UL94V2	-	-	Natural	1000
60624	GCTM-1-66-AT	PA66 UL94V2	TAPE	19.0*19.0A*1.0	Natural	1000

Material: PA66 UL94V2 (GMS-01); Acrylic Adhesive Tape (GMS-06); Optional: Rubber Adhesive Tape (GMS-61);
To order Rubber, please change -AT to -RT in Article No. (Example: GCTM-1-66-RT)

Cable Tie Holder, Adhesive, Screw-In GFTH-7A1



Sizes in mm

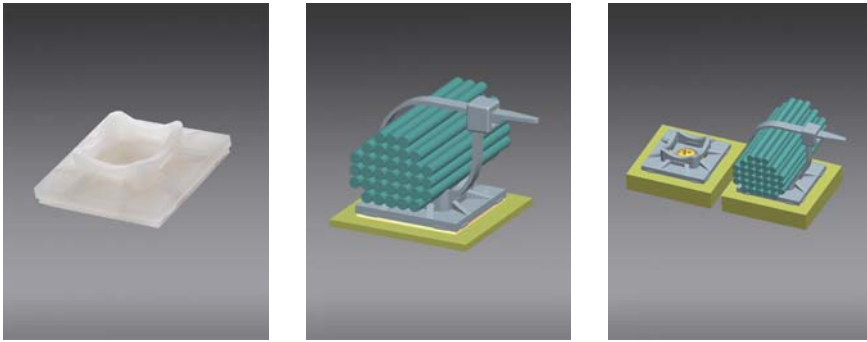
P/N.	Article No.	Cross-Ref.	Material	Material I	Adhesive Tape	Color	Packing Unit
60630	GFTH-7A1-01	FTH-7-01	PA66 UL94V2	-	-	Natural	500
60631	GFTH-7A1-01-AT	FTH-7A-RT	PA66 UL94V2	TAPE	25.0*25.0A*1.0	Natural	500
60416	GFTH-7A1-19	FTH-7-19	PA66 UL94V0	-	-	Natural	500
60632	GFTH-7A1-19-AT	FTH-7A-RT	PA66 UL94V0	TAPE	25.0*25.0A*1.0	Natural	500

Material: PA66 UL94V2 (GMS-01); PA66 UL94V0 (GMS-02); Acrylic Adhesive Tape (GMS-06); Optional: Rubber Adhesive Tape (GMS-61);
To order Rubber, please change -AT to -RT in Article No. (Example: GFTH-7A1-01-RT)

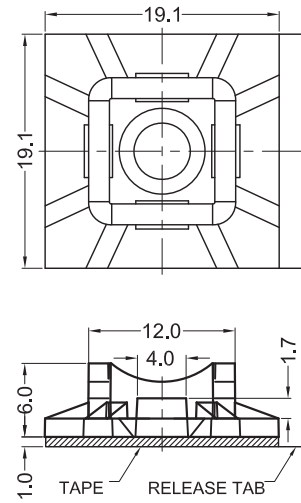


CABLE TIE HOLDER

Cable Tie Holder, Adhesive, Screw-In GFTH-5



GFTH-5

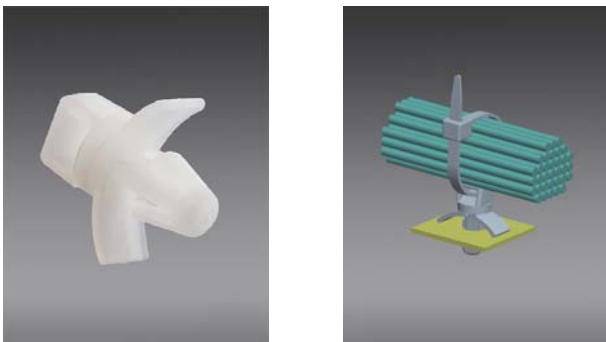


Sizes in mm

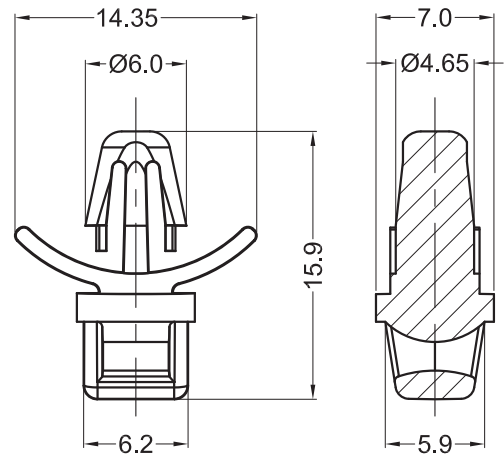
P/N.	Article No.	Cross-Ref.	Material	Material I	Adhesive Tape	Color	Packing Unit
60404	GFTH-5-01	FTH-5-01	PA66 UL94V2	-	-	Natural	1000
60629	GFTH-5-01-AT	FTH-5A-RT	PA66 UL94V2	TAPE	19.0*19.0A*1.0	Natural	1000

Material: PA66 UL94V2 (GMS-01); Acrylic Adhesive Tape (GMS-06); Optional: Rubber Adhesive Tape (GMS-61);
To order Rubber, please change -AT to -RT in Article No. (Example: GFTH-5-01-RT)

Push Mount Cable Tie Holder GCTM-3



GCTM-3



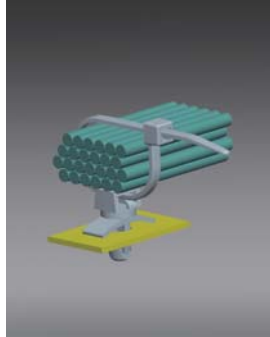
Sizes in mm

P/N.	Article No.	Cross-Ref.	Material	Color	Hole	Panel Thickness	Packing Unit
60181	GCTM-3-66	FTH-3-01	PA66 UL94V2	Natural	4.75±0.08	0.79-1.98	1000
60513	GCTM-3-V0	FTH-3-19	PA66 UL94V0	Natural	4.75±0.08	0.79-1.98	1000

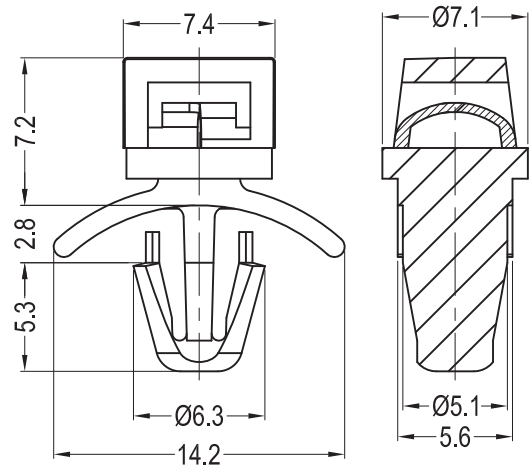
Material: PA66 UL94V2 (GMS-01); PA66 UL94V0 (GMS-02)

CABLE TIE HOLDER

Push Mount Cable Tie Holder GCTM-5



GCTM-5

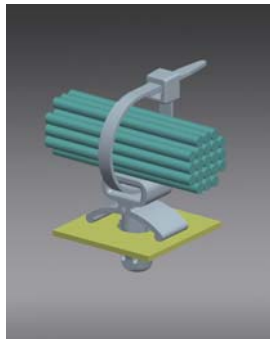


Sizes in mm

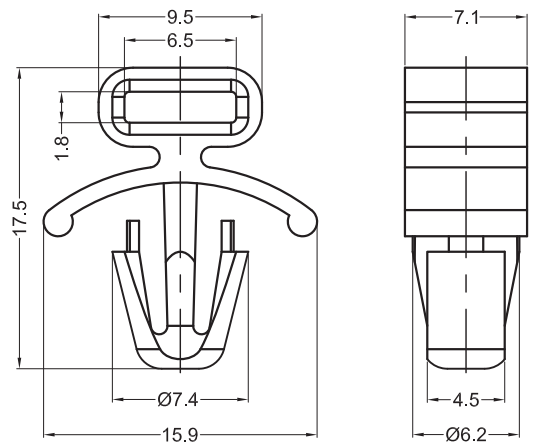
P/N.	Article No.	Cross-Ref.	Material	Color	Hole	Panel Thickness	Packing Unit
60926	GCTM-5-66	FTH-3A-01	PA66 UL94V2	Natural	5.3±0.08	0.8-2.0	1000

Material: PA66 UL94V2 (GMS-01)

Push Mount Cable Tie Holder GCTM-6



GCTM-6



Sizes in mm

P/N.	Article No.	Cross-Ref.	Material	Color	Hole	Panel Thickness	Packing Unit
60465	GCTM-6-66	FTH-6-01	PA66 UL94V2	Natural	6.35±0.08	1.19-2.77	1000
60403	GCTM-6-66B	FTH-6-01BK	PA66 UL94V2	Black	6.35±0.08	1.19-2.77	1000
60317	GCTM-6-V0	FTH-6-19	PA66 UL94V0	Natural	6.35±0.08	1.19-2.77	1000

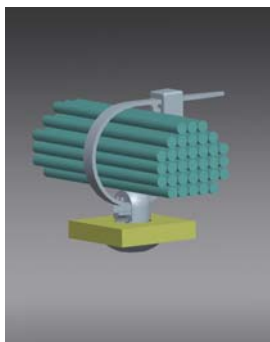
Material: PA66 UL94V2 (GMS-01); PA66 UL94V0 (GMS-02)

D

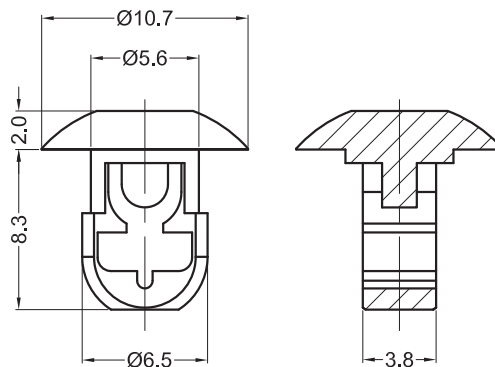


CABLE TIE HOLDER

Push Mount Cable Tie Holder GCTM-9



GCTM-9



Sizes in mm

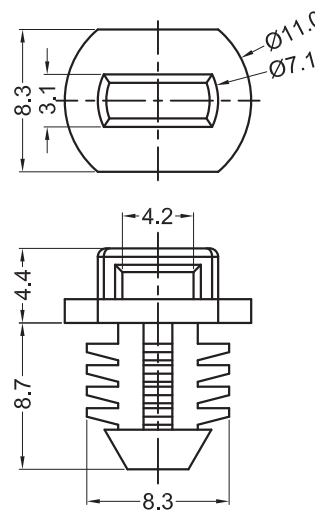
P/N.	Article No.	Cross-Ref.	Material	Color	Hole	Panel Thickness	Packing Unit
60150	GCTM-9-66	FTH-9-01	PA66 UL94V2	Natural	6.35±0.08	3.18	1000
60786	GCTM-9-66B	FTH-9-01BK	PA66 UL94V2	Black	6.35±0.08	3.18	1000
60485	GCTM-9-V0	FTH-9-19	PA66 UL94V0	Natural	6.35±0.08	3.18	1000

Material: PA66 UL94V2 (GMS-01); PA66 UL94V0 (GMS-02)

Push Mount Cable Tie Holder GCTM-15



GCTM-15



Sizes in mm

P/N.	Article No.	Cross-Ref.	Material	Color	Hole	Panel Thickness	Packing Unit
60063	GCTM-15-66	FTH-15-01	PA66 UL94V2	Natural	7.92±0.08	6.4 min.	1000
60493	GCTM-15-V0	FTH-15-19	PA66 UL94V0	Natural	7.92±0.08	6.4 min.	1000
60065	GCTM-15-BV0	FTH-15-19BK	PA66 UL94V0	Black	7.92±0.08	6.4 min.	1000

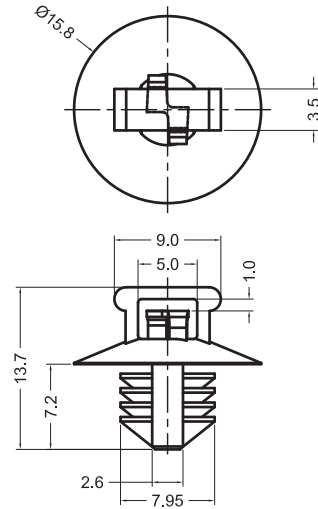
Material: PA66 UL94V2 (GMS-01); PA66 UL94V0 (GMS-02)

CABLE TIE HOLDER

Push Mount Cable Tie Holder GFTH-36-01BK



GFTH-36-01BK



Sizes in mm

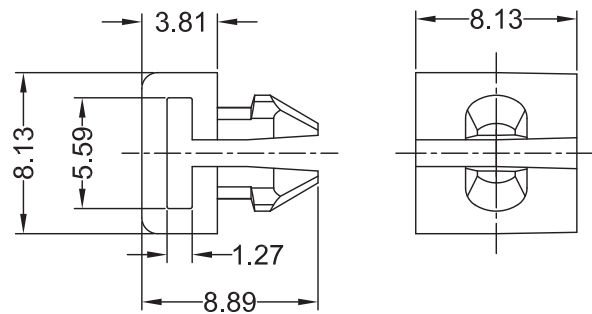
P/N.	Article No.	Cross-Ref.	Material	Color	Hole	Panel Thickness	Packing Unit
61236	GFTH-36-01BK	FTH-36-01BK	PA66 UL94V2	Black	6.5-7.0	0.8-3.0	1000

Material: PA66 UL94V2 (GMS-01)

Push Mount Cable Tie Holder G23TA00090



G23TA00090



Sizes in mm

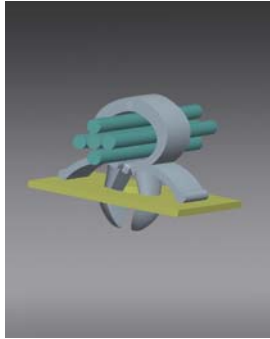
P/N.	Article No.	Cross-Ref.	Material	Color	Hole	Panel Thickness	Packing Unit
61335	G23TA00090	23TA00090	PA66 UL94V2	Natural	4.75±0.08	1.57	1000

Material: PA66 UL94V2 (GMS-65)

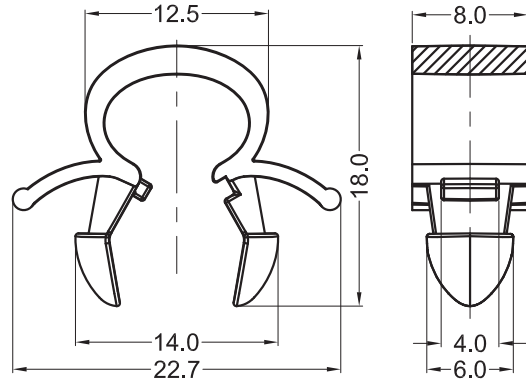
D

CABLE TIE HOLDER

Push Mount Cable Tie Holder GY-285



GY-285



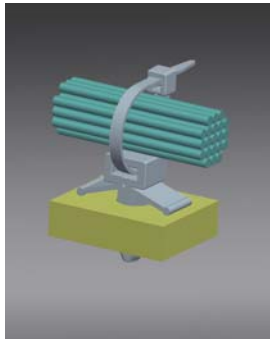
Sizes in mm

P/N.	Article No.	Material	Color	Hole	Panel Thickness	Packing Unit
60357	GY-285-1213-00	PA66 UL94V2	Natural	6.0-7.0	1.0-3.0	1000
60766	GY-285-1213-00-BK	PA66 UL94V2	Black	6.0-7.0	1.0-3.0	1000

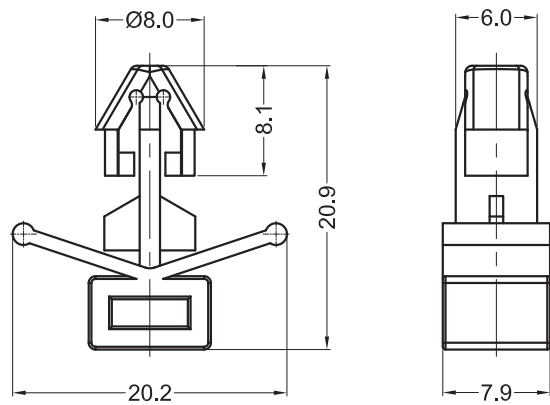
Material: PA66 UL94V2 (GMS-01)

D

Push Mount Cable Tie Holder GCTM-4



GCTM-4



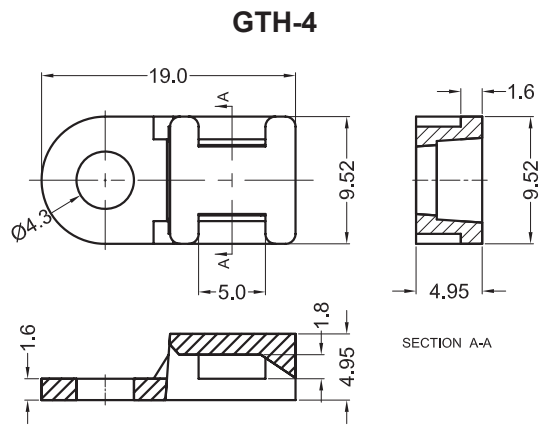
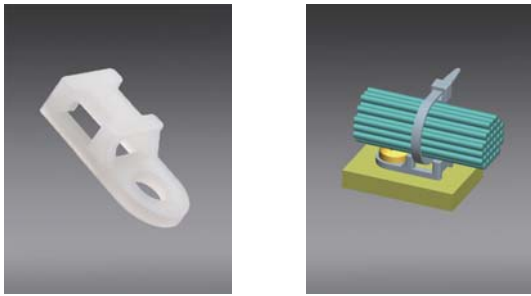
Sizes in mm

P/N.	Article No.	Material	Color	Hole	Panel Thickness	Packing Unit
42270	GCTM-4-66	PA66 UL94V2	Natural	6.7±0.08	7.0-9.0	1000
41377	GCTM-4-66B	PA66 UL94V2	Black	6.7±0.08	7.0-9.0	1000

Material: PA66 UL94V2 (GMS-01)

CABLE TIE HOLDER

Cable Tie Holder, Screw-In GTH-4



Sizes in mm

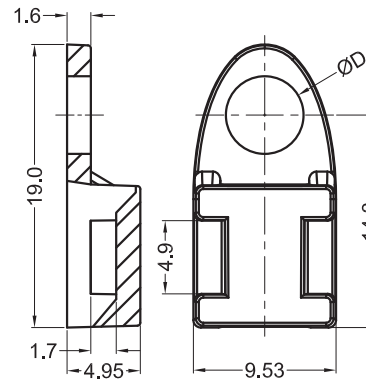
P/N.	Article No.	Cross-Ref.	Material	Color	Mounting Screw Size	Packing Unit
60338	GTH-4	23TA40170	PA66 UL94V2	Natural	#8 or M4	1000

Material: PA66 UL94V2 (GMS-01)

Cable Tie Holder, Screw-In GFTH-34/-35



GFTH-34/-35

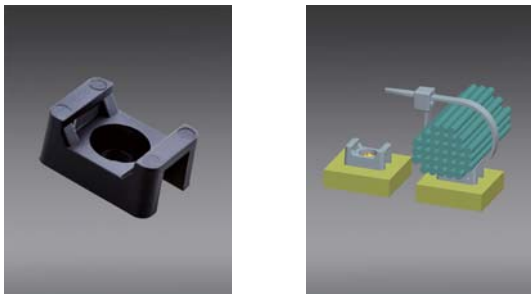


Sizes in mm

P/N.	Article No.	Cross-Ref.	Material	D	Color	Mounting Screw Size	Packing Unit
60993	GFTH-34-01	FTH-34-01	PA66 UL94V2	4.3	Natural	#8 or M4	1000
60981	GFTH-35-01	FTH-35-01	PA66 UL94V2	5.1	Natural	#10 or M5	1000

Material: PA66 UL94V2 (GMS-01)

Cable Tie Holder, Screw-In GFTH-13HC/-14HC



GFTH-13HC-01

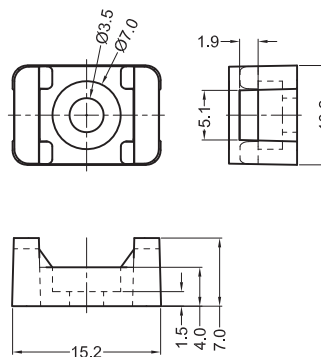


Fig.1

GFTH-14HC-01

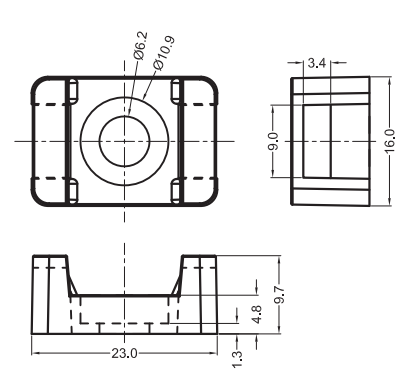


Fig.2

Sizes in mm

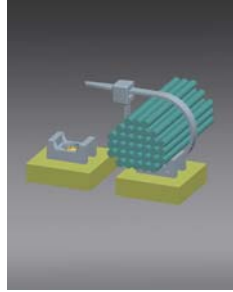
P/N.	Article No.	Cross-Ref.	Material	Color	Mounting Screw Size	FIG.	Packing Unit
60640	GFTH-13HC-01B	116000469902	PA66 UL94V2	Black	#5 or M3	1	1000
61239	GFTH-14HC-01B	116000969902	PA66 UL94V2	Black	#12 or M5	2	1000

Material: PA66 UL94V2 (GMS-01)

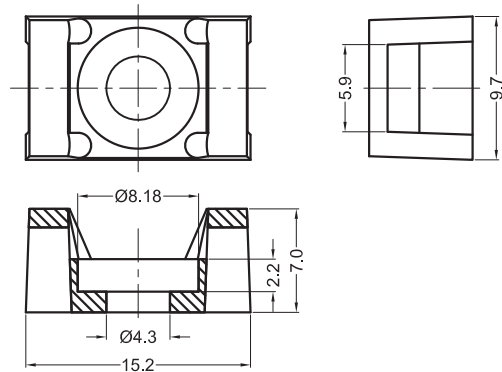


CABLE TIE HOLDER

Cable Tie Holder, Screw-In GFTH-13R-01



GFTH-13R-01



Sizes in mm

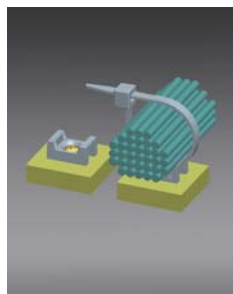
P/N.	Article No.	Cross-Ref.	Material	Color	Mounting Screw Size	Packing Unit
60406	GFTH-13R-01	FTH-13R-01	PA66 UL94V2	Natural	#8 or M4 or Rivet (See Table)	1000
60846	GFTH-13R-01B	FTH-13R-01BK	PA66 UL94V2	Black	#8 or M4 or Rivet (See Table)	1000

Material: PA66 UL94V2 (GMS-01)

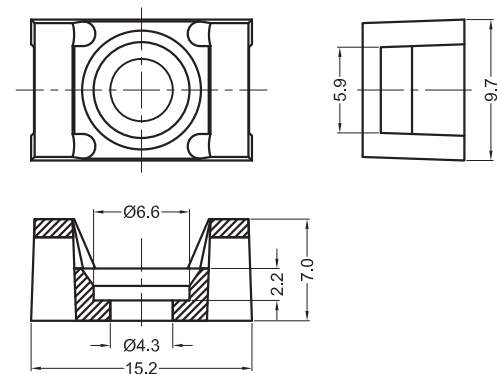
Mounting Rivets for GFTH-13R-01

Rivet No.	Hole Dia.	Panel Thickness Range
GR4050	4.1	0.5-1.5
GR4060		1.5-2.5
GR4070		2.5-3.5
GR4080		3.5-4.5
GR4100		5.5-6.5

Cable Tie Holder, Screw-In GFTH-13S-01



GFTH-13S-01



Sizes in mm

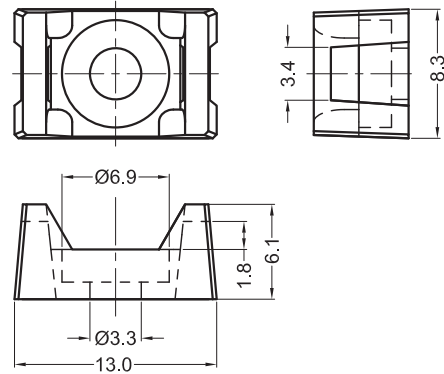
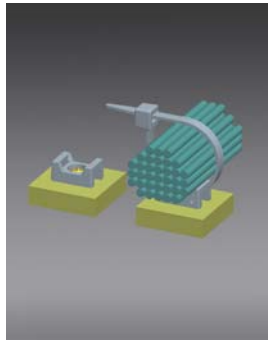
P/N.	Article No.	Cross-Ref.	Material	Color	Mounting Screw Size	Packing Unit
60479	GFTH-13S-01	FTH-13S-01	PA66 UL94V2	Natural	#6 or M3 / #8 or M4	1000

Material: PA66 UL94V2 (GMS-01)

CABLE TIE HOLDER

Cable Tie Holder, Screw-In GFTH-28RS-01

GFTH-28RS-01



Sizes in mm

P/N.	Article No.	Cross-Ref.	Material	Color	Mounting Screw Size	Packing Unit
60633	GFTH-28RS-01	FTH-28RS-01	PA66 UL94V2	Natural	#4 or M3 or Rivet (See Table)	1000

Material: PA66 UL94V2 (GMS-01)

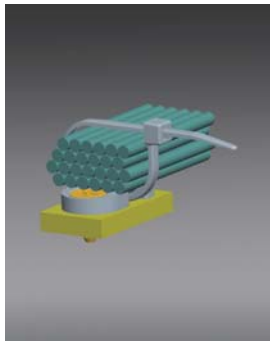
Mounting Rivets for GFTH-28RS-01

Rivet No.	Hole Dia.	Panel Thickness Range
GR3035	3.1-3.2	UP TO 0.9
GR3045		0.9-1.9
GR3055		1.9-2.9
GR3065		2.9-3.9
GR3075		3.9-4.9
GR3080		4.4-5.4
GR3090		5.4-6.4
GR3100		6.4-7.4

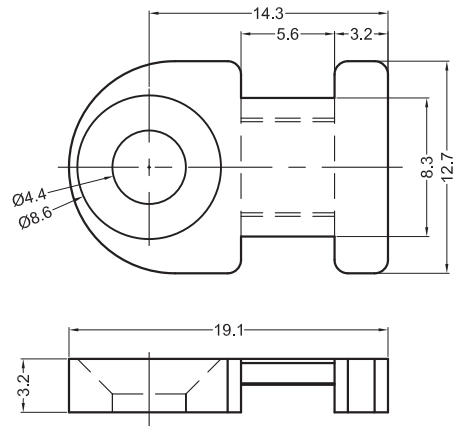
D

CABLE TIE HOLDER

Cable Tie Holder, Screw-In GFTH-1-01



GFTH-1-01



Sizes in mm

P/N.	Article No.	Cross-Ref.	Material	Color	Mounting Screw Size	Packing Unit
60924	GFTH-1-01	FTH-1-01	PA66 UL94V2	Natural	#8 or M4	1000

Material: PA66 UL94V2 (GMS-01)

Cable Tie Holder, Screw-In GFTH-24



GFTH-24-01

GFTH-24-1-01

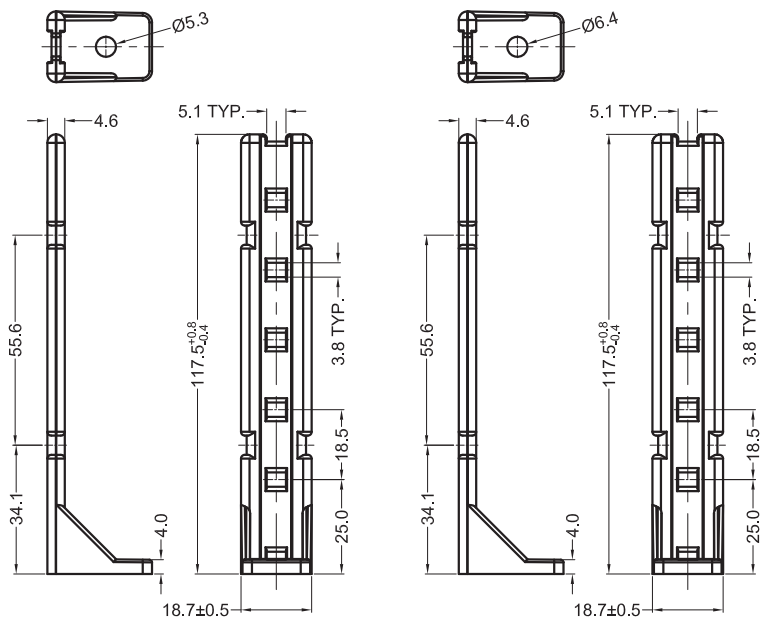


Fig.1

Fig.2

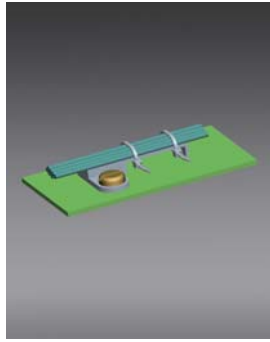
Sizes in mm

P/N.	Article No.	Cross-Ref.	Material	Color	FIG.	Packing Unit
60897	GFTH-24-01	FTH-24-01	PA66 UL94V2	Natural	1	100
61269	GFTH-24-19	FTH-24-19	PA66 UL94V0	Natural	1	100
60898	GFTH-24-1-01	FTH-24-1-01	PA66 UL94V2	Natural	2	100
61270	GFTH-24-1-19	FTH-24-1-19	PA66 UL94V0	Natural	2	100

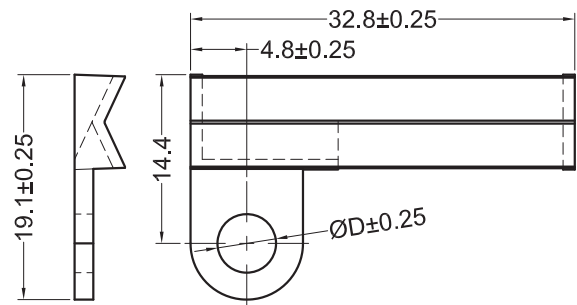
Material: PA66 UL94V2 (GMS-01); PA66 UL94V0 (GMS-02)

CABLE TIE HOLDER

Flat Tie Holder, Screw Mount GFTH-11



GFTH-11



Sizes in mm

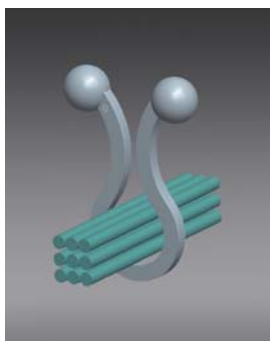
<u>P/N.</u>	<u>Article No.</u>	<u>Cross-Ref.</u>	<u>Material</u>	<u>Color</u>	<u>D</u>	<u>Packing Unit</u>
61399	GFTH-11-8-01	FTH-11-8-01	PA66 UL94V2	Natural	4.3	1000
61401	GFTH-11-8-19	FTH-11-8-19	PA66 UL94V0	Natural	5.0	1000
61398	GFTH-11-10-01	FTH-11-10-01	PA66 UL94V2	Natural	4.3	1000
61400	GFTH-11-10-19	FTH-11-10-19	PA66 UL94V0	Natural	5.0	1000

Material: PA66 UL94V2 (GMS-01); PA66 UL94V0 (GMS-02)

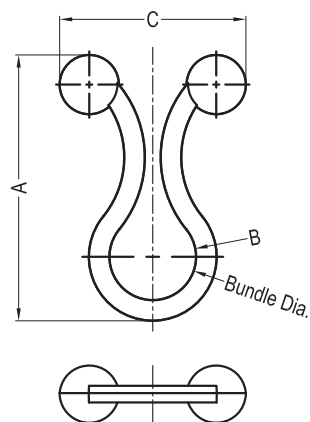
TWIST LOCK

Twist Lock / Kurly Lock

GPL00



GPL00



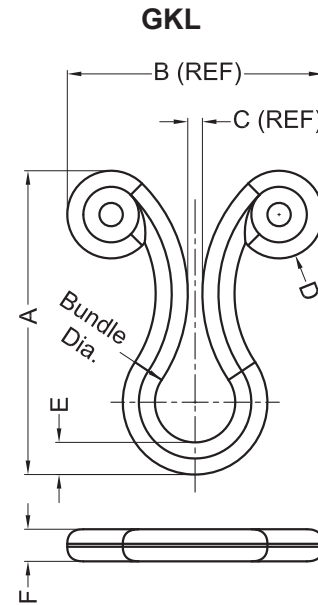
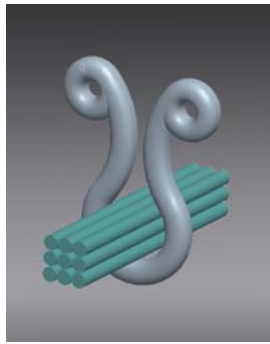
Sizes in mm

P/N.	Article No.	Cross-Ref.	Material	Color	A	B	C	Bundle Ø	Packing Unit
60236	GPL0062-66N	TL-250-01	PA66 UL94V2	Natural	22.9	6.35	17.9	5.1-7.6	1000
60622	GPL0062-66B	TL-250BK	PA66 UL94V2	Black	22.9	6.35	17.9	5.1-7.6	1000
60516	GPL0062-NV0	TL-250-19	PA66 UL94V0	Natural	22.9	6.35	17.9	5.1-7.6	1000
60592	GPL0061-66N	TL-350-01	PA66 UL94V2	Natural	25.6	8.3	17.9	7.6-10.2	1000
60204	GPL0061-6N	TL-350-01	PA6 UL94V2	Natural	25.6	8.3	17.9	7.6-10.2	1000
60237	GPL0063-66N	TL-450-01	PA66 UL94V2	Natural	30.5	11.4	19.0	10.2-12.7	1000
60623	GPL0063-66B	TL-450BK	PA66 UL94V2	Black	30.5	11.4	19.0	10.2-12.7	1000
60517	GPL0063-NV0	TL-450-19	PA66 UL94V0	Natural	30.5	11.4	19.0	10.2-12.7	1000
61064	GPL0066-66N	TL-950-01	PA66 UL94V2	Natural	43.4	24.0	19.7	Max. 25.4	1000
61084	GPL0066-66B	TL-950-01BK	PA66 UL94V2	Black	43.4	24.0	19.7	Max. 25.4	1000
61086	GPL0066-NV0	TL-950-19	PA66 UL94V0	Natural	43.4	24.0	19.7	Max. 25.4	1000
61085	GPL0066-BV0	TL-950-19BK	PA66 UL94V0	Black	43.4	24.0	19.7	Max. 25.4	1000

Material: PA66 UL94V2 (GMS-01); PA66 UL94V0 (GMS-02); PA6 UL94V2 (GMS-10)

TWIST LOCK

Twist Lock / Kurly Lock GKL



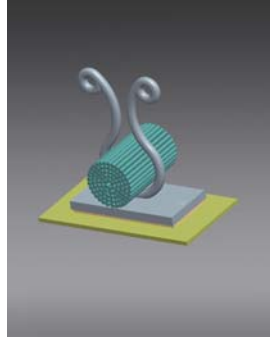
Sizes in mm

P/N.	Article No.	Cross-Ref.	Material	Color	A	B	C	D	E	F	Bundle Ø	Packing Unit
60238	GKL-125	KL-125	PA66 UL94V2	Natural	12.2	9.5	0.6	3.5	1.4	1.4	3.2-3.8	1000
60239	GKL-200	KL-200	PA66 UL94V2	Natural	20.8	17.5	1.0	6.0	2.2	2.2	4.1-6.1	1000
60774	GKL-250	KL-250	PA66 UL94V2	Natural	23.0	20.0	1.5	6.5	2.0	2.0	5.1-7.6	1000
60775	GKL-350	KL-350	PA66 UL94V2	Natural	26.2	20.0	1.5	6.5	2.0	2.0	7.6-10.2	1000
60909	GKL-450	KL-450	PA66 UL94V2	Natural	30.5	20.0	1.5	6.5	2.0	2.0	10.2-12.7	1000
60910	GKL-600	KL-600	PA66 UL94V2	Natural	31.8	20.0	1.5	6.5	2.0	2.0	14.0-16.5	1000
60847	GKL-750	KL-750	PA66 UL94V2	Natural	38.6	20.0	1.5	6.5	2.2	2.2	17.8-20.3	1000

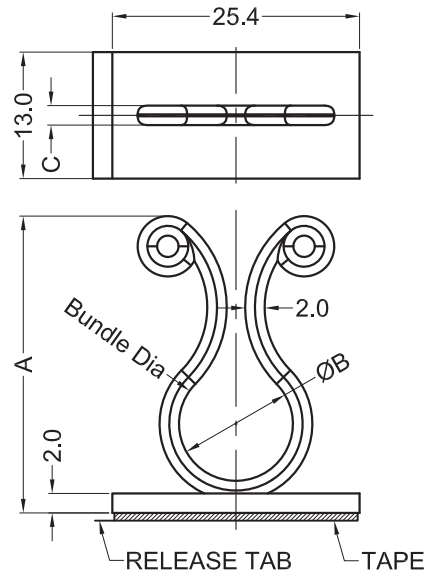
Material: PA66 UL94V2 (GMS-01)

TWIST LOCK

Kurly Lock on Adhesive Base GKLB



GKLB

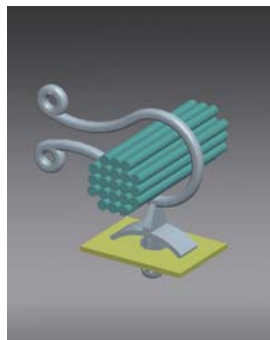


Sizes in mm

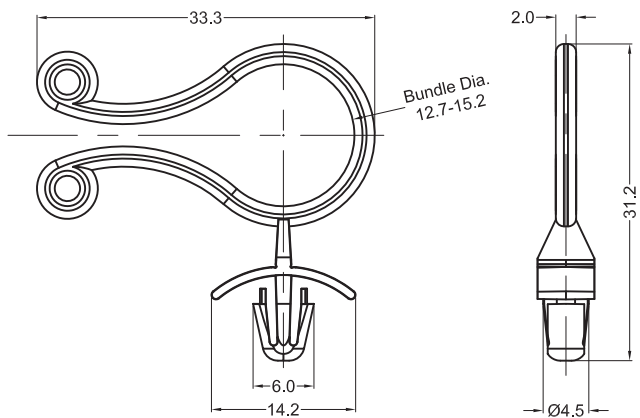
P/N.	Article No.	Cross-Ref.	Material	Color	A	B	C	Adhesive Tape	Bundle Ø	Packing Unit
60702	GKLB-350-01-AT	KLB-350A-RT	PA66 UL94V2	Natural	27.2	9.2	1.5	12.5*25.0A*1.0	7.6-10.2	1000
60703	GKLB-450-01-AT	KLB-450A-RT	PA66 UL94V2	Natural	31.2	11.7	1.8	12.5*25.0A*1.0	10.2-12.7	1000
60704	GKLB-750-01-AT	KLB-750A-RT	PA66 UL94V2	Natural	40.1	19.3	2.0	12.5*25.0A*1.0	17.8-20.3	500

Material: PA66 UL94V2 (GMS-01); Adhesive Tape (GMS-06); Optional: Rubber Adhesive Tape (GMS-61);
To order Rubber, please change -AT to -RT in Article No. (Example: GKLB-350-01-RT)

Side Entry Kurly Lock GSKLO



GSKLO



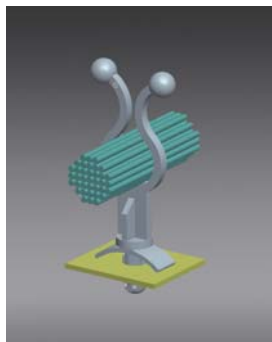
Sizes in mm

P/N.	Article No.	Cross-Ref.	Material	Color	Hole	Panel Thickness	Packing Unit
60318	GSKLO-550-01	SKLO-550-01	PA66 UL94V2	Natural	4.75±0.08	1.6	1000
60560	GSKLO-550-19	SKLO-550-19	PA66 UL94V0	Natural	4.75±0.08	1.6	1000

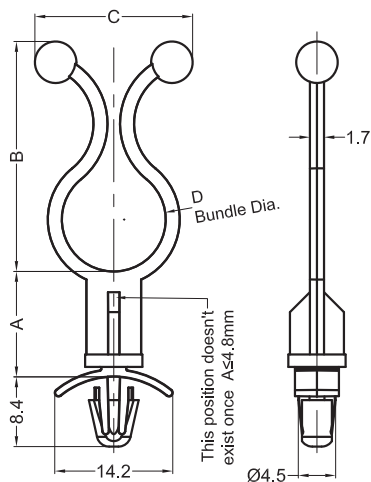
Material: PA66 UL94V2 (GMS-01); PA66 UL94V0 (GMS-02)

TWIST LOCK

Stand-Off Twist Lock GSOTL



GSOTL



Hole: 4.75±0.08mm
Panel Thickness: 0.8-2.0mm

Sizes in mm

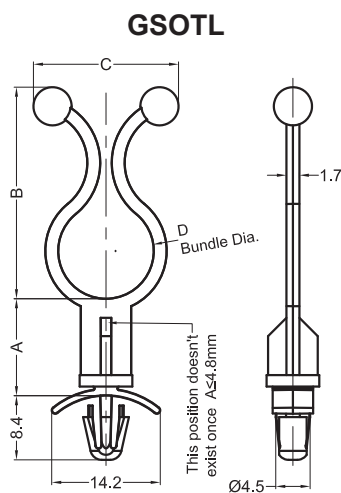
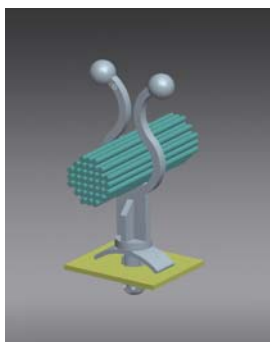
P/N.	Article No.	Cross-Ref.	Material	Color	A	B	C	D	Packing Unit
60676	GSOTL-25-4M-66	STL-J-250-4M-01	PA66 UL94V2	Natural	4.0	19.1	16.0	5.1-7.6	1000
60152	GSOTL-25-1-66	STL-250-3-01	PA66 UL94V2	Natural	4.8	19.1	16.0	5.1-7.6	1000
60153	GSOTL-25-2-66	STL-250-8-01	PA66 UL94V2	Natural	12.7	19.1	16.0	5.1-7.6	1000
60154	GSOTL-25-3-66	STL-250-12-01	PA66 UL94V2	Natural	19.1	19.1	16.0	5.1-7.6	1000
60155	GSOTL-25-4-66	STL-250-16-01	PA66 UL94V2	Natural	25.4	19.1	16.0	5.1-7.6	1000
60156	GSOTL-25-5-66	STL-250-20-01	PA66 UL94V2	Natural	31.8	19.1	16.0	5.1-7.6	1000
60677	GSOTL-25-4M-V0	STL-J-250-4M-19	PA66 UL94V0	Natural	4.0	19.1	16.0	5.1-7.6	1000
60498	GSOTL-25-1-V0	STL-250-3-19	PA66 UL94V0	Natural	4.8	19.1	16.0	5.1-7.6	1000
60499	GSOTL-25-2-V0	STL-250-8-19	PA66 UL94V0	Natural	12.7	19.1	16.0	5.1-7.6	1000
60500	GSOTL-25-3-V0	STL-250-12-19	PA66 UL94V0	Natural	19.1	19.1	16.0	5.1-7.6	1000
60501	GSOTL-25-4-V0	STL-250-16-19	PA66 UL94V0	Natural	25.4	19.1	16.0	5.1-7.6	1000
60502	GSOTL-25-5-V0	STL-250-20-19	PA66 UL94V0	Natural	31.8	19.1	16.0	5.1-7.6	1000
60240	GSOTL-35-1-66	STL-350-3-01	PA66 UL94V2	Natural	4.8	23.1	17.5	7.6-10.2	1000
60241	GSOTL-35-2-66	STL-350-8-01	PA66 UL94V2	Natural	12.7	23.1	17.5	7.6-10.2	1000
60242	GSOTL-35-3-66	STL-350-12-01	PA66 UL94V2	Natural	19.1	23.1	17.5	7.6-10.2	1000
60243	GSOTL-35-4-66	STL-350-16-01	PA66 UL94V2	Natural	25.4	23.1	17.5	7.6-10.2	1000
60244	GSOTL-35-5-66	STL-350-20-01	PA66 UL94V2	Natural	31.8	23.1	17.5	7.6-10.2	1000
60873	GSOTL-35-1-V0	STL-350-3-19	PA66 UL94V0	Natural	4.8	23.1	17.5	7.6-10.2	1000
60874	GSOTL-35-2-V0	STL-350-8-19	PA66 UL94V0	Natural	12.7	23.1	17.5	7.6-10.2	1000
60875	GSOTL-35-3-V0	STL-350-12-19	PA66 UL94V0	Natural	19.1	23.1	17.5	7.6-10.2	1000
60876	GSOTL-35-4-V0	STL-350-16-19	PA66 UL94V0	Natural	25.4	23.1	17.5	7.6-10.2	1000
60745	GSOTL-35-5-V0	STL-350-20-19	PA66 UL94V0	Natural	31.8	23.1	17.5	7.6-10.2	1000
60157	GSOTL-45-1-66	STL-450-3-01	PA66 UL94V2	Natural	4.8	27.7	19.0	10.2-12.7	1000
60158	GSOTL-45-2-66	STL-450-8-01	PA66 UL94V2	Natural	12.7	27.7	19.0	10.2-12.7	1000
60159	GSOTL-45-3-66	STL-450-12-01	PA66 UL94V2	Natural	19.1	27.7	19.0	10.2-12.7	1000

Material: PA66 UL94V2 (GMS-01); PA66 UL94V0 (GMS-02)



TWIST LOCK

Stand-Off Twist Lock GSOTL



Hole: 4.75±0.08mm
Panel Thickness: 0.8-2.0mm

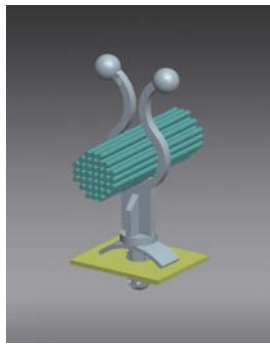
Sizes in mm

P/N.	Article No.	Cross-Ref.	Material	Color	A	B	C	D	Packing Unit
60160	GSOTL-45-4-66	STL-450-16-01	PA66 UL94V2	Natural	25.4	27.7	19.0	10.2-12.7	1000
60161	GSOTL-45-5-66	STL-450-20-01	PA66 UL94V2	Natural	31.8	27.7	19.0	10.2-12.7	1000
60503	GSOTL-45-1-V0	STL-450-3-19	PA66 UL94V0	Natural	4.8	27.7	19.0	10.2-12.7	1000
60504	GSOTL-45-2-V0	STL-450-8-19	PA66 UL94V0	Natural	12.7	27.7	19.0	10.2-12.7	1000
60505	GSOTL-45-3-V0	STL-450-12-19	PA66 UL94V0	Natural	19.1	27.7	19.0	10.2-12.7	1000
60506	GSOTL-45-4-V0	STL-450-16-19	PA66 UL94V0	Natural	25.4	27.7	19.0	10.2-12.7	1000
60507	GSOTL-45-5-V0	STL-450-20-19	PA66 UL94V0	Natural	31.8	27.7	19.0	10.2-12.7	1000
60817	GSOTL-60-4M-66	STL-J-600-4M-01	PA66 UL94V2	Natural	4.0	32.5	21.0	12.7-15.2	1000
60162	GSOTL-60-1-66	STL-600-3-01	PA66 UL94V2	Natural	4.8	32.5	21.0	12.7-15.2	1000
60163	GSOTL-60-2-66	STL-600-8-01	PA66 UL94V2	Natural	12.7	32.5	21.0	12.7-15.2	1000
60164	GSOTL-60-3-66	STL-600-12-01	PA66 UL94V2	Natural	19.1	32.5	21.0	12.7-15.2	1000
60165	GSOTL-60-4-66	STL-600-16-01	PA66 UL94V2	Natural	25.4	32.5	21.0	12.7-15.2	1000
60166	GSOTL-60-5-66	STL-600-20-01	PA66 UL94V2	Natural	31.8	32.5	21.0	12.7-15.2	500
60818	GSOTL-60-4M-V0	STL-J-600-4M-19	PA66 UL94V0	Natural	4.0	32.5	21.0	12.7-15.2	1000
60508	GSOTL-60-1-V0	STL-600-3-19	PA66 UL94V0	Natural	4.8	32.5	21.0	12.7-15.2	1000
60509	GSOTL-60-2-V0	STL-600-8-19	PA66 UL94V0	Natural	12.7	32.5	21.0	12.7-15.2	1000
60510	GSOTL-60-3-V0	STL-600-12-19	PA66 UL94V0	Natural	19.1	32.5	21.0	12.7-15.2	1000
60511	GSOTL-60-4-V0	STL-600-16-19	PA66 UL94V0	Natural	25.4	32.5	21.0	12.7-15.2	1000
60512	GSOTL-60-5-V0	STL-600-20-19	PA66 UL94V0	Natural	31.8	32.5	21.0	12.7-15.2	500
60634	GSOTL-75-1-66	STL-750-3-01	PA66 UL94V2	Natural	4.8	36.8	23.5	17.8-20.3	1000
60635	GSOTL-75-2-66	STL-750-8-01	PA66 UL94V2	Natural	12.7	36.8	23.5	17.8-20.3	1000
60636	GSOTL-75-3-66	STL-750-12-01	PA66 UL94V2	Natural	19.1	36.8	23.5	17.8-20.3	500
60637	GSOTL-75-4-66	STL-750-16-01	PA66 UL94V2	Natural	25.4	36.8	23.5	17.8-20.3	500
60638	GSOTL-75-5-66	STL-750-20-01	PA66 UL94V2	Natural	31.8	36.8	23.5	17.8-20.3	500
60841	GSOTL-75-1-V0	STL-750-3-19	PA66 UL94V0	Natural	4.8	36.8	23.5	17.8-20.3	1000
60842	GSOTL-75-2-V0	STL-750-8-19	PA66 UL94V0	Natural	12.7	36.8	23.5	17.8-20.3	1000
60843	GSOTL-75-3-V0	STL-750-12-19	PA66 UL94V0	Natural	19.1	36.8	23.5	17.8-20.3	500
60844	GSOTL-75-4-V0	STL-750-16-19	PA66 UL94V0	Natural	25.4	36.8	23.5	17.8-20.3	500
60845	GSOTL-75-5-V0	STL-750-20-19	PA66 UL94V0	Natural	31.8	36.8	23.5	17.8-20.3	500

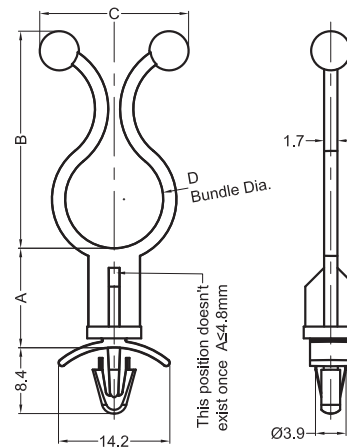
Material: PA66 UL94V2 (GMS-01); PA66 UL94V0 (GMS-02)

TWIST LOCK

Stand-Off Twist Lock GSOTL2



GSOTL2



Hole: 4.0±0.08mm
Panel Thickness: 0.8-2.0mm

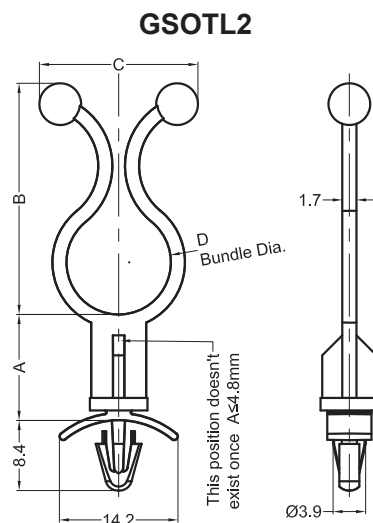
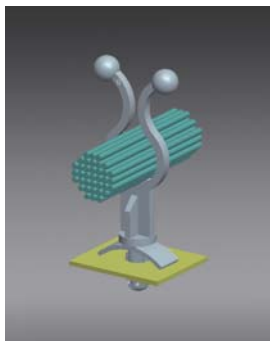
Sizes in mm

P/N.	Article No.	Cross-Ref.	Material	Color	A	B	C	D	Packing Unit
60811	GSOTL2-25-4M-66	STL-1-250-4M-01	PA66 UL94V2	Natural	4.0	19.1	16.0	5.1-7.6	1000
60260	GSOTL2-25-1-66	STL-1-250-3-01	PA66 UL94V2	Natural	4.8	19.1	16.0	5.1-7.6	1000
60261	GSOTL2-25-2-66	STL-1-250-8-01	PA66 UL94V2	Natural	12.7	19.1	16.0	5.1-7.6	1000
60262	GSOTL2-25-3-66	STL-1-250-12-01	PA66 UL94V2	Natural	19.1	19.1	16.0	5.1-7.6	1000
60263	GSOTL2-25-4-66	STL-1-250-16-01	PA66 UL94V2	Natural	25.4	19.1	16.0	5.1-7.6	1000
60264	GSOTL2-25-5-66	STL-1-250-20-01	PA66 UL94V2	Natural	31.8	19.1	16.0	5.1-7.6	1000
60812	GSOTL2-25-4M-V0	STL-1-250-4M-19	PA66 UL94V0	Natural	4.0	19.1	16.0	5.1-7.6	1000
60528	GSOTL2-25-1-V0	STL-1-250-3-19	PA66 UL94V0	Natural	4.8	19.1	16.0	5.1-7.6	1000
60529	GSOTL2-25-2-V0	STL-1-250-8-19	PA66 UL94V0	Natural	12.7	19.1	16.0	5.1-7.6	1000
60530	GSOTL2-25-3-V0	STL-1-250-12-19	PA66 UL94V0	Natural	19.1	19.1	16.0	5.1-7.6	1000
60531	GSOTL2-25-4-V0	STL-1-250-16-19	PA66 UL94V0	Natural	25.4	19.1	16.0	5.1-7.6	1000
60532	GSOTL2-25-5-V0	STL-1-250-20-19	PA66 UL94V0	Natural	31.8	19.1	16.0	5.1-7.6	1000
60245	GSOTL2-35-1-66	STL-1-350-3-01	PA66 UL94V2	Natural	4.8	23.1	17.5	7.6-10.2	1000
60246	GSOTL2-35-2-66	STL-1-350-8-01	PA66 UL94V2	Natural	12.7	23.1	17.5	7.6-10.2	1000
60247	GSOTL2-35-3-66	STL-1-350-12-01	PA66 UL94V2	Natural	19.1	23.1	17.5	7.6-10.2	1000
60248	GSOTL2-35-4-66	STL-1-350-16-01	PA66 UL94V2	Natural	25.4	23.1	17.5	7.6-10.2	1000
60249	GSOTL2-35-5-66	STL-1-350-20-01	PA66 UL94V2	Natural	31.8	23.1	17.5	7.6-10.2	1000
60877	GSOTL2-35-1-V0	STL-1-350-3-19	PA66 UL94V0	Natural	4.8	23.1	17.5	7.6-10.2	1000
60878	GSOTL2-35-2-V0	STL-1-350-8-19	PA66 UL94V0	Natural	12.7	23.1	17.5	7.6-10.2	1000
60879	GSOTL2-35-3-V0	STL-1-350-12-19	PA66 UL94V0	Natural	19.1	23.1	17.5	7.6-10.2	1000
60880	GSOTL2-35-4-V0	STL-1-350-16-19	PA66 UL94V0	Natural	25.4	23.1	17.5	7.6-10.2	1000
60881	GSOTL2-35-5-V0	STL-1-350-20-19	PA66 UL94V0	Natural	31.8	23.1	17.5	7.6-10.2	1000

Material: PA66 UL94V2 (GMS-01); PA66 UL94V0 (GMS-02)



Stand-Off Twist Lock GSOTL2



Hole: 4.0±0.08mm

Panel Thickness: 0.8-2.0mm

Sizes in mm

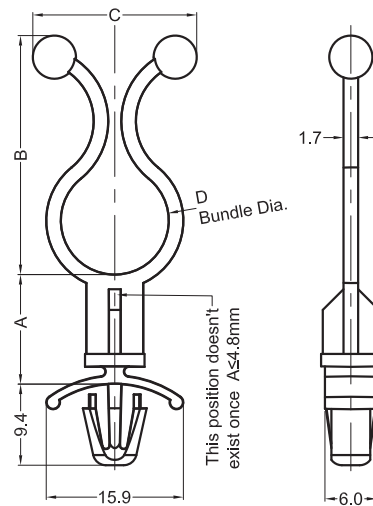
P/N.	Article No.	Cross-Ref.	Material	Color	A	B	C	D	Packing Unit
60275	GSOTL2-45-1-66	STL-1-450-3-01	PA66 UL94V2	Natural	4.8	27.7	19.0	10.2-12.7	1000
60276	GSOTL2-45-2-66	STL-1-450-8-01	PA66 UL94V2	Natural	12.7	27.7	19.0	10.2-12.7	1000
60277	GSOTL2-45-3-66	STL-1-450-12-01	PA66 UL94V2	Natural	19.1	27.7	19.0	10.2-12.7	1000
60278	GSOTL2-45-4-66	STL-1-450-16-01	PA66 UL94V2	Natural	25.4	27.7	19.0	10.2-12.7	1000
60279	GSOTL2-45-5-66	STL-1-450-20-01	PA66 UL94V2	Natural	31.8	27.7	19.0	10.2-12.7	1000
60518	GSOTL2-45-1-V0	STL-1-450-3-19	PA66 UL94V0	Natural	4.8	27.7	19.0	10.2-12.7	1000
60519	GSOTL2-45-2-V0	STL-1-450-8-19	PA66 UL94V0	Natural	12.7	27.7	19.0	10.2-12.7	1000
60520	GSOTL2-45-3-V0	STL-1-450-12-19	PA66 UL94V0	Natural	19.1	27.7	19.0	10.2-12.7	1000
60521	GSOTL2-45-4-V0	STL-1-450-16-19	PA66 UL94V0	Natural	25.4	27.7	19.0	10.2-12.7	1000
60522	GSOTL2-45-5-V0	STL-1-450-20-19	PA66 UL94V0	Natural	31.8	27.7	19.0	10.2-12.7	1000
60819	GSOTL2-60-4M-66	STL-1-600-4M-01	PA66 UL94V2	Natural	4.0	32.5	21.0	12.7-15.2	1000
60290	GSOTL2-60-1-66	STL-1-600-3-01	PA66 UL94V2	Natural	4.8	32.5	21.0	12.7-15.2	1000
60291	GSOTL2-60-2-66	STL-1-600-8-01	PA66 UL94V2	Natural	12.7	32.5	21.0	12.7-15.2	1000
60292	GSOTL2-60-3-66	STL-1-600-12-01	PA66 UL94V2	Natural	19.1	32.5	21.0	12.7-15.2	1000
60293	GSOTL2-60-4-66	STL-1-600-16-01	PA66 UL94V2	Natural	25.4	32.5	21.0	12.7-15.2	1000
60294	GSOTL2-60-5-66	STL-1-600-20-01	PA66 UL94V2	Natural	31.8	32.5	21.0	12.7-15.2	500
60820	GSOTL2-60-4M-V0	STL-1-600-4M-19	PA66 UL94V0	Natural	4.0	32.5	21.0	12.7-15.2	1000
60538	GSOTL2-60-1-V0	STL-1-600-3-19	PA66 UL94V0	Natural	4.8	32.5	21.0	12.7-15.2	1000
60539	GSOTL2-60-2-V0	STL-1-600-8-19	PA66 UL94V0	Natural	12.7	32.5	21.0	12.7-15.2	1000
60540	GSOTL2-60-3-V0	STL-1-600-12-19	PA66 UL94V0	Natural	19.1	32.5	21.0	12.7-15.2	1000
60541	GSOTL2-60-4-V0	STL-1-600-16-19	PA66 UL94V0	Natural	25.4	32.5	21.0	12.7-15.2	1000
60542	GSOTL2-60-5-V0	STL-1-600-20-19	PA66 UL94V0	Natural	31.8	32.5	21.0	12.7-15.2	500

Material: PA66 UL94V2 (GMS-01); PA66 UL94V0 (GMS-02)

Stand-Off Twist Lock GSOTL4



GSOTL4



Hole: 6.0±0.08mm
Panel Thickness: 0.8-2.0mm

Sizes in mm

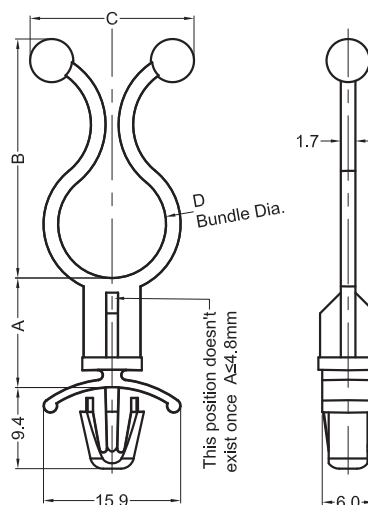
P/N.	Article No.	Cross-Ref.	Material	Color	A	B	C	D	Packing Unit
60815	GSOTL4-25-4M-66	STL-6-250-4M-01	PA66 UL94V2	Natural	4.0	19.1	16.0	5.1-7.6	1000
60270	GSOTL4-25-1-66	STL-6-250-3-01	PA66 UL94V2	Natural	4.8	19.1	16.0	5.1-7.6	1000
60271	GSOTL4-25-2-66	STL-6-250-8-01	PA66 UL94V2	Natural	12.7	19.1	16.0	5.1-7.6	1000
60272	GSOTL4-25-3-66	STL-6-250-12-01	PA66 UL94V2	Natural	19.1	19.1	16.0	5.1-7.6	1000
60273	GSOTL4-25-4-66	STL-6-250-16-01	PA66 UL94V2	Natural	25.4	19.1	16.0	5.1-7.6	1000
60274	GSOTL4-25-5-66	STL-6-250-20-01	PA66 UL94V2	Natural	31.8	19.1	16.0	5.1-7.6	1000
60816	GSOTL4-25-4M-V0	STL-6-250-4M-19	PA66 UL94V0	Natural	4.0	19.1	16.0	5.1-7.6	1000
60533	GSOTL4-25-1-V0	STL-6-250-3-19	PA66 UL94V0	Natural	4.8	19.1	16.0	5.1-7.6	1000
60534	GSOTL4-25-2-V0	STL-6-250-8-19	PA66 UL94V0	Natural	12.7	19.1	16.0	5.1-7.6	1000
60535	GSOTL4-25-3-V0	STL-6-250-12-19	PA66 UL94V0	Natural	19.1	19.1	16.0	5.1-7.6	1000
60536	GSOTL4-25-4-V0	STL-6-250-16-19	PA66 UL94V0	Natural	25.4	19.1	16.0	5.1-7.6	1000
60537	GSOTL4-25-5-V0	STL-6-250-20-19	PA66 UL94V0	Natural	31.8	19.1	16.0	5.1-7.6	1000
60255	GSOTL4-35-1-66	STL-6-350-3-01	PA66 UL94V2	Natural	4.8	23.1	17.5	7.6-10.2	1000
60256	GSOTL4-35-2-66	STL-6-350-8-01	PA66 UL94V2	Natural	12.7	23.1	17.5	7.6-10.2	1000
60257	GSOTL4-35-3-66	STL-6-350-12-01	PA66 UL94V2	Natural	19.1	23.1	17.5	7.6-10.2	1000
60258	GSOTL4-35-4-66	STL-6-350-16-01	PA66 UL94V2	Natural	25.4	23.1	17.5	7.6-10.2	1000
60259	GSOTL4-35-5-66	STL-6-350-20-01	PA66 UL94V2	Natural	31.8	23.1	17.5	7.6-10.2	1000
60892	GSOTL4-35-1-V0	STL-6-350-3-19	PA66 UL94V0	Natural	4.8	23.1	17.5	7.6-10.2	1000
60893	GSOTL4-35-2-V0	STL-6-350-8-19	PA66 UL94V0	Natural	12.7	23.1	17.5	7.6-10.2	1000
60894	GSOTL4-35-3-V0	STL-6-350-12-19	PA66 UL94V0	Natural	19.1	23.1	17.5	7.6-10.2	1000
60895	GSOTL4-35-4-V0	STL-6-350-16-19	PA66 UL94V0	Natural	25.4	23.1	17.5	7.6-10.2	1000
60896	GSOTL4-35-5-V0	STL-6-350-20-19	PA66 UL94V0	Natural	31.8	23.1	17.5	7.6-10.2	1000

Material: PA66 UL94V2 (GMS-01); PA66 UL94V0 (GMS-02)

Stand-Off Twist Lock GSOTL4



GSOTL4



Hole: 6.0±0.08mm
Panel Thickness: 0.8-2.0mm

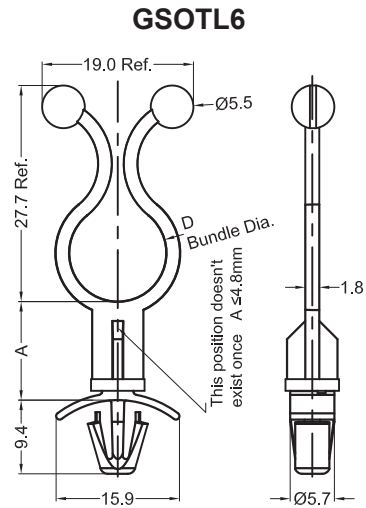
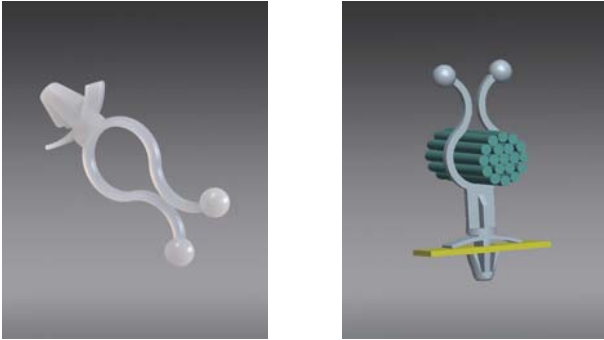
Sizes in mm

P/N.	Article No.	Cross-Ref.	Material	Color	A	B	C	D	Packing Unit
60285	GSOTL4-45-1-66	STL-6-450-3-01	PA66 UL94V2	Natural	4.8	27.7	19.0	10.2-12.7	1000
60286	GSOTL4-45-2-66	STL-6-450-8-01	PA66 UL94V2	Natural	12.7	27.7	19.0	10.2-12.7	1000
60287	GSOTL4-45-3-66	STL-6-450-12-01	PA66 UL94V2	Natural	19.1	27.7	19.0	10.2-12.7	1000
60288	GSOTL4-45-4-66	STL-6-450-16-01	PA66 UL94V2	Natural	25.4	27.7	19.0	10.2-12.7	1000
60289	GSOTL4-45-5-66	STL-6-450-20-01	PA66 UL94V2	Natural	31.8	27.7	19.0	10.2-12.7	1000
60523	GSOTL4-45-1-V0	STL-6-450-3-19	PA66 UL94V0	Natural	4.8	27.7	19.0	10.2-12.7	1000
60524	GSOTL4-45-2-V0	STL-6-450-8-19	PA66 UL94V0	Natural	12.7	27.7	19.0	10.2-12.7	1000
60525	GSOTL4-45-3-V0	STL-6-450-12-19	PA66 UL94V0	Natural	19.1	27.7	19.0	10.2-12.7	1000
60526	GSOTL4-45-4-V0	STL-6-450-16-19	PA66 UL94V0	Natural	25.4	27.7	19.0	10.2-12.7	1000
60527	GSOTL4-45-5-V0	STL-6-450-20-19	PA66 UL94V0	Natural	31.8	27.7	19.0	10.2-12.7	1000
60823	GSOTL4-60-4M-66	STL-6-600-4M-01	PA66 UL94V2	Natural	4.0	32.5	21.0	12.7-15.2	1000
60300	GSOTL4-60-1-66	STL-6-600-3-01	PA66 UL94V2	Natural	4.8	32.5	21.0	12.7-15.2	1000
60301	GSOTL4-60-2-66	STL-6-600-8-01	PA66 UL94V2	Natural	12.7	32.5	21.0	12.7-15.2	1000
60302	GSOTL4-60-3-66	STL-6-600-12-01	PA66 UL94V2	Natural	19.1	32.5	21.0	12.7-15.2	1000
60303	GSOTL4-60-4-66	STL-6-600-16-01	PA66 UL94V2	Natural	25.4	32.5	21.0	12.7-15.2	1000
60304	GSOTL4-60-5-66	STL-6-600-20-01	PA66 UL94V2	Natural	31.8	32.5	21.0	12.7-15.2	500
60824	GSOTL4-60-4M-V0	STL-6-600-4M-19	PA66 UL94V0	Natural	4.0	32.5	21.0	12.7-15.2	1000
60543	GSOTL4-60-1-V0	STL-6-600-3-19	PA66 UL94V0	Natural	4.8	32.5	21.0	12.7-15.2	1000
60544	GSOTL4-60-2-V0	STL-6-600-8-19	PA66 UL94V0	Natural	12.7	32.5	21.0	12.7-15.2	1000
60545	GSOTL4-60-3-V0	STL-6-600-12-19	PA66 UL94V0	Natural	19.1	32.5	21.0	12.7-15.2	1000
60546	GSOTL4-60-4-V0	STL-6-600-16-19	PA66 UL94V0	Natural	25.4	32.5	21.0	12.7-15.2	1000
60547	GSOTL4-60-5-V0	STL-6-600-20-19	PA66 UL94V0	Natural	31.8	32.5	21.0	12.7-15.2	500

Material: PA66 UL94V2 (GMS-01); PA66 UL94V0 (GMS-02)

TWIST LOCK

Stand-Off Twist Lock GSOTL6



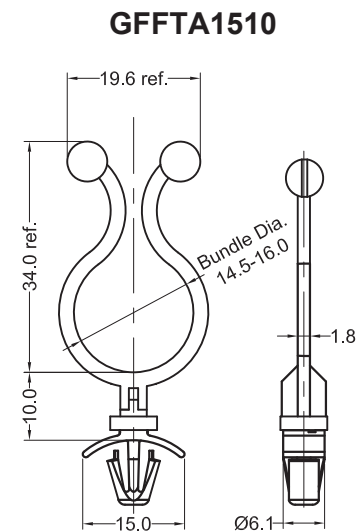
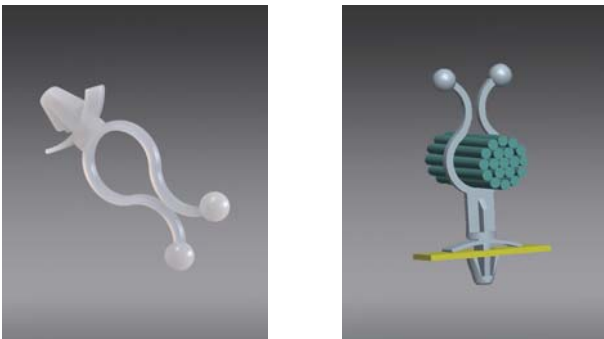
Hole: 6.0±0.08mm
Panel Thickness: 0.8-2.0mm

Sizes in mm

P/N.	Article No.	Material	Color	A	D	Packing Unit
60955	GSOTL6-45-4M-66	PA66 UL94V2	Natural	4.0	10.2-12.7	1000
60956	GSOTL6-45-1-66	PA66 UL94V2	Natural	4.8	10.2-12.7	1000
60957	GSOTL6-45-2-66	PA66 UL94V2	Natural	12.7	10.2-12.7	1000
60958	GSOTL6-45-3-66	PA66 UL94V2	Natural	19.1	10.2-12.7	1000
60959	GSOTL6-45-4-66	PA66 UL94V2	Natural	25.4	10.2-12.7	1000
60960	GSOTL6-45-5-66	PA66 UL94V2	Natural	31.8	10.2-12.7	1000
61378	GSOTL6-45-4M-V0	PA66 UL94V0	Natural	4.0	10.2-12.7	1000
61377	GSOTL6-45-1-V0	PA66 UL94V0	Natural	4.8	10.2-12.7	1000
61379	GSOTL6-45-2-V0	PA66 UL94V0	Natural	12.7	10.2-12.7	1000
61380	GSOTL6-45-3-V0	PA66 UL94V0	Natural	19.1	10.2-12.7	1000
61381	GSOTL6-45-4-V0	PA66 UL94V0	Natural	25.4	10.2-12.7	1000
61382	GSOTL6-45-5-V0	PA66 UL94V0	Natural	31.8	10.2-12.7	1000

Material: PA66 UL94V2 (GMS-01); PA66 UL94V0 (GMS-49)

Stand-Off Twist Lock GFFTA1510



Hole: 6.35±0.08mm
Panel Thickness: 1.6mm

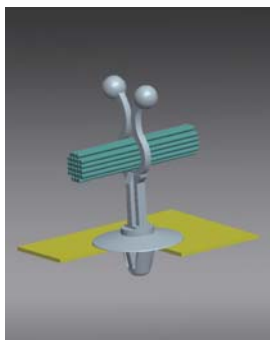
Sizes in mm

P/N.	Article No.	Cross-Ref.	Material	Color	Packing Unit
61279	GFFTA1510	FFTA1510	PA66 UL94V2	Natural	1000

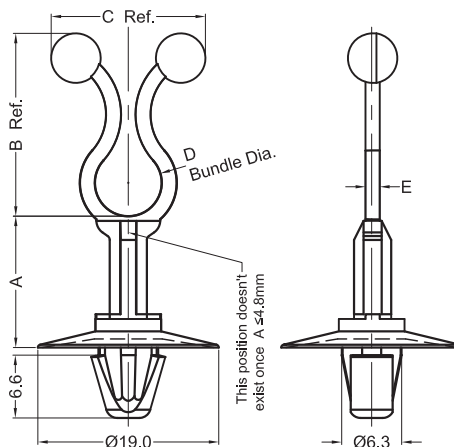


TWIST LOCK

Stand-Off Twist Lock GSOTL5



GSOTL5



Hole: 6.5±0.08mm

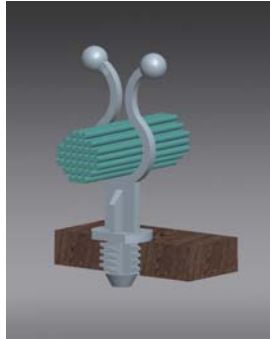
Panel Thickness: 0.8-1.6mm

Sizes in mm

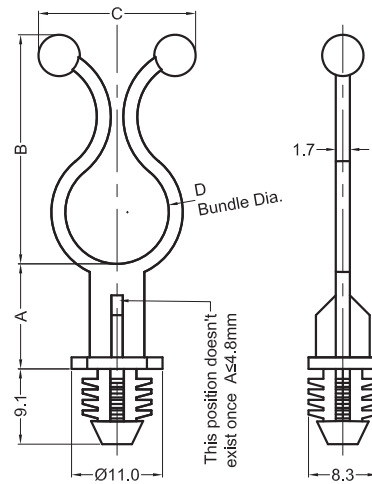
P/N.	Article No.	Cross-Ref.	Material	Color	A	B	C	D	E	Packing Unit
60984	GSOTL5-25-4M-66	STL5-250-4M-01	PA66 UL94V2	Natural	4.0	19.1	16.0	5.1-7.6	1.5	1000
60985	GSOTL5-25-1-66	STL5-250-3-01	PA66 UL94V2	Natural	4.8	19.1	16.0	5.1-7.6	1.5	1000
60986	GSOTL5-25-6M-66	STL5-250-6M-01	PA66 UL94V2	Natural	6.0	19.1	16.0	5.1-7.6	1.5	1000
60987	GSOTL5-25-8M-66	STL5-250-8M-01	PA66 UL94V2	Natural	8.0	19.1	16.0	5.1-7.6	1.5	1000
60982	GSOTL5-25-10M-66	STL5-250-10M-01	PA66 UL94V2	Natural	10.0	19.1	16.0	5.1-7.6	1.5	1000
60988	GSOTL5-25-12M-66	STL5-250-12M-01	PA66 UL94V2	Natural	12.0	19.1	16.0	5.1-7.6	1.5	1000
60989	GSOTL5-25-2-66	STL5-250-8-01	PA66 UL94V2	Natural	12.7	19.1	16.0	5.1-7.6	1.5	1000
60990	GSOTL5-25-3-66	STL5-250-12-01	PA66 UL94V2	Natural	19.1	19.1	16.0	5.1-7.6	1.5	1000
60991	GSOTL5-25-4-66	STL5-250-16-01	PA66 UL94V2	Natural	25.4	19.1	16.0	5.1-7.6	1.5	1000
60992	GSOTL5-25-5-66	STL5-250-20-01	PA66 UL94V2	Natural	31.8	19.1	16.0	5.1-7.6	1.5	1000
61357	GSOTL5-25-4M-V0	STL5-250-4M-19	PA66 UL94V0	Natural	4.0	19.1	16.0	5.1-7.6	1.5	1000
61358	GSOTL5-25-1-V0	STL5-250-3-19	PA66 UL94V0	Natural	4.8	19.1	16.0	5.1-7.6	1.5	1000
61359	GSOTL5-25-6M-V0	STL5-250-6M-19	PA66 UL94V0	Natural	6.0	19.1	16.0	5.1-7.6	1.5	1000
61360	GSOTL5-25-8M-V0	STL5-250-8M-19	PA66 UL94V0	Natural	8.0	19.1	16.0	5.1-7.6	1.5	1000
61361	GSOTL5-25-10M-V0	STL5-250-10M-19	PA66 UL94V0	Natural	10.0	19.1	16.0	5.1-7.6	1.5	1000
61362	GSOTL5-25-12M-V0	STL5-250-12M-19	PA66 UL94V0	Natural	12.0	19.1	16.0	5.1-7.6	1.5	1000
61363	GSOTL5-25-2-V0	STL5-250-8-19	PA66 UL94V0	Natural	12.7	19.1	16.0	5.1-7.6	1.5	1000
61364	GSOTL5-25-3-V0	STL5-250-12-19	PA66 UL94V0	Natural	19.1	19.1	16.0	5.1-7.6	1.5	1000
61365	GSOTL5-25-4-V0	STL5-250-16-19	PA66 UL94V0	Natural	25.4	19.1	16.0	5.1-7.6	1.5	1000
61366	GSOTL5-25-5-V0	STL5-250-20-19	PA66 UL94V0	Natural	31.8	19.1	16.0	5.1-7.6	1.5	1000
61066	GSOTL5-75-4M-66	STL5-750-4M-01	PA66 UL94V2	Natural	4.0	36.8	23.5	17.8-20.3	1.8	1000
61095	GSOTL5-75-1-66	STL5-750-3-01	PA66 UL94V2	Natural	4.8	36.8	23.5	17.8-20.3	1.8	1000
61096	GSOTL5-75-6M-66	STL5-750-6M-01	PA66 UL94V2	Natural	6.0	36.8	23.5	17.8-20.3	1.8	1000
61097	GSOTL5-75-8M-66	STL5-750-8M-01	PA66 UL94V2	Natural	8.0	36.8	23.5	17.8-20.3	1.8	1000
61098	GSOTL5-75-10M-66	STL5-750-10M-01	PA66 UL94V2	Natural	10.0	36.8	23.5	17.8-20.3	1.8	1000
61099	GSOTL5-75-12M-66	STL5-750-12M-01	PA66 UL94V2	Natural	12.0	36.8	23.5	17.8-20.3	1.8	1000
61100	GSOTL5-75-2-66	STL5-750-8-01	PA66 UL94V2	Natural	12.7	36.8	23.5	17.8-20.3	1.8	1000
61101	GSOTL5-75-3-66	STL5-750-12-01	PA66 UL94V2	Natural	19.1	36.8	23.5	17.8-20.3	1.8	500
61102	GSOTL5-75-4-66	STL5-750-16-01	PA66 UL94V2	Natural	25.4	36.8	23.5	17.8-20.3	1.8	500
61103	GSOTL5-75-5-66	STL5-750-20-01	PA66 UL94V2	Natural	31.8	36.8	23.5	17.8-20.3	1.8	500
61367	GSOTL5-75-4M-V0	STL5-750-4M-19	PA66 UL94V0	Natural	4.0	36.8	23.5	17.8-20.3	1.8	1000
61368	GSOTL5-75-1-V0	STL5-750-3-19	PA66 UL94V0	Natural	4.8	36.8	23.5	17.8-20.3	1.8	1000
61369	GSOTL5-75-6M-V0	STL5-750-6M-19	PA66 UL94V0	Natural	6.0	36.8	23.5	17.8-20.3	1.8	1000
61370	GSOTL5-75-8M-V0	STL5-750-8M-19	PA66 UL94V0	Natural	8.0	36.8	23.5	17.8-20.3	1.8	1000
61371	GSOTL5-75-10M-V0	STL5-750-10M-19	PA66 UL94V0	Natural	10.0	36.8	23.5	17.8-20.3	1.8	1000
61372	GSOTL5-75-12M-V0	STL5-750-12M-19	PA66 UL94V0	Natural	12.0	36.8	23.5	17.8-20.3	1.8	1000
61373	GSOTL5-75-2-V0	STL5-750-8-19	PA66 UL94V0	Natural	12.7	36.8	23.5	17.8-20.3	1.8	1000
61374	GSOTL5-75-3-V0	STL5-750-12-19	PA66 UL94V0	Natural	19.1	36.8	23.5	17.8-20.3	1.8	500
61375	GSOTL5-75-4-V0	STL5-750-16-19	PA66 UL94V0	Natural	25.4	36.8	23.5	17.8-20.3	1.8	500
61376	GSOTL5-75-5-V0	STL5-750-20-19	PA66 UL94V0	Natural	31.8	36.8	23.5	17.8-20.3	1.8	500

Material: PA66 UL94V2 (GMS-01); PA66 UL94V0 (GMS-49)

Stand-Off Twist Lock GSOTL3



GSOTL3



Hole: 7.9±0.08mm

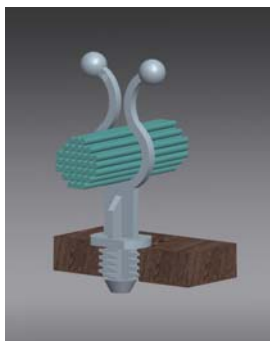
Panel Thickness: 6.4mm Min.

Sizes in mm

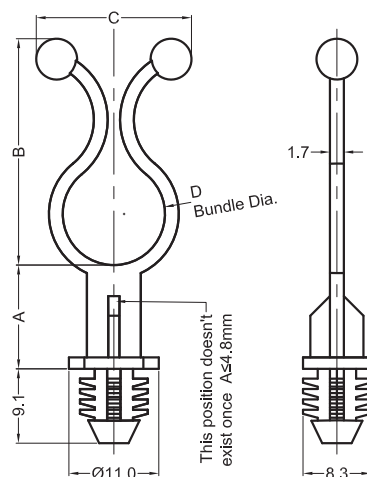
P/N.	Article No.	Cross-Ref.	Material	Color	A	B	C	D	Packing Unit
60813	GSOTL3-25-4M-66	STL-3-250-4M-01	PA66 UL94V2	Natural	4.0	19.1	16.0	5.1-7.6	1000
60265	GSOTL3-25-1-66	STL-3-250-3-01	PA66 UL94V2	Natural	4.8	19.1	16.0	5.1-7.6	1000
60266	GSOTL3-25-2-66	STL-3-250-8-01	PA66 UL94V2	Natural	12.7	19.1	16.0	5.1-7.6	1000
60267	GSOTL3-25-3-66	STL-3-250-12-01	PA66 UL94V2	Natural	19.1	19.1	16.0	5.1-7.6	1000
60268	GSOTL3-25-4-66	STL-3-250-16-01	PA66 UL94V2	Natural	25.4	19.1	16.0	5.1-7.6	1000
60269	GSOTL3-25-5-66	STL-3-250-20-01	PA66 UL94V2	Natural	31.8	19.1	16.0	5.1-7.6	1000
60814	GSOTL3-25-4M-V0	STL-3-250-4M-19	PA66 UL94V0	Natural	4.0	19.1	16.0	5.1-7.6	1000
60825	GSOTL3-25-1-V0	STL-3-250-3-19	PA66 UL94V0	Natural	4.8	19.1	16.0	5.1-7.6	1000
60826	GSOTL3-25-2-V0	STL-3-250-8-19	PA66 UL94V0	Natural	12.7	19.1	16.0	5.1-7.6	1000
60827	GSOTL3-25-3-V0	STL-3-250-12-19	PA66 UL94V0	Natural	19.1	19.1	16.0	5.1-7.6	1000
60828	GSOTL3-25-4-V0	STL-3-250-16-19	PA66 UL94V0	Natural	25.4	19.1	16.0	5.1-7.6	1000
60829	GSOTL3-25-5-V0	STL-3-250-20-19	PA66 UL94V0	Natural	31.8	19.1	16.0	5.1-7.6	1000
60250	GSOTL3-35-1-66	STL-3-350-3-01	PA66 UL94V2	Natural	4.8	23.1	17.5	7.6-10.2	1000
60251	GSOTL3-35-2-66	STL-3-350-8-01	PA66 UL94V2	Natural	12.7	23.1	17.5	7.6-10.2	1000
60252	GSOTL3-35-3-66	STL-3-350-12-01	PA66 UL94V2	Natural	19.1	23.1	17.5	7.6-10.2	1000
60253	GSOTL3-35-4-66	STL-3-350-16-01	PA66 UL94V2	Natural	25.4	23.1	17.5	7.6-10.2	1000
60254	GSOTL3-35-5-66	STL-3-350-20-01	PA66 UL94V2	Natural	31.8	23.1	17.5	7.6-10.2	1000
60882	GSOTL3-35-1-V0	STL-3-350-3-19	PA66 UL94V0	Natural	4.8	23.1	17.5	7.6-10.2	1000
60883	GSOTL3-35-2-V0	STL-3-350-8-19	PA66 UL94V0	Natural	12.7	23.1	17.5	7.6-10.2	1000
60884	GSOTL3-35-3-V0	STL-3-350-12-19	PA66 UL94V0	Natural	19.1	23.1	17.5	7.6-10.2	1000
60885	GSOTL3-35-4-V0	STL-3-350-16-19	PA66 UL94V0	Natural	25.4	23.1	17.5	7.6-10.2	1000
60886	GSOTL3-35-5-V0	STL-3-350-20-19	PA66 UL94V0	Natural	31.8	23.1	17.5	7.6-10.2	1000

Material: PA66 UL94V2 (GMS-01); PA66 UL94V0 (GMS-02)

Stand-Off Twist Lock GSOTL3



GSOTL3



Hole: 7.9±0.08mm

Panel Thickness: 6.4mm Min.

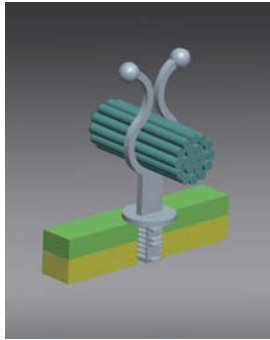
Sizes in mm

P/N.	Article No.	Cross-Ref.	Material	Color	A	B	C	D	Packing Unit
60280	GSOTL3-45-1-66	STL-3-450-3-01	PA66 UL94V2	Natural	4.8	27.7	19.0	10.2-12.7	1000
60281	GSOTL3-45-2-66	STL-3-450-8-01	PA66 UL94V2	Natural	12.7	27.7	19.0	10.2-12.7	1000
60282	GSOTL3-45-3-66	STL-3-450-12-01	PA66 UL94V2	Natural	19.1	27.7	19.0	10.2-12.7	1000
60283	GSOTL3-45-4-66	STL-3-450-16-01	PA66 UL94V2	Natural	25.4	27.7	19.0	10.2-12.7	1000
60284	GSOTL3-45-5-66	STL-3-450-20-01	PA66 UL94V2	Natural	31.8	27.7	19.0	10.2-12.7	1000
60887	GSOTL3-45-1-V0	STL-3-450-3-19	PA66 UL94V0	Natural	4.8	27.7	19.0	10.2-12.7	1000
60888	GSOTL3-45-2-V0	STL-3-450-8-19	PA66 UL94V0	Natural	12.7	27.7	19.0	10.2-12.7	1000
60889	GSOTL3-45-3-V0	STL-3-450-12-19	PA66 UL94V0	Natural	19.1	27.7	19.0	10.2-12.7	1000
60890	GSOTL3-45-4-V0	STL-3-450-16-19	PA66 UL94V0	Natural	25.4	27.7	19.0	10.2-12.7	1000
60891	GSOTL3-45-5-V0	STL-3-450-20-19	PA66 UL94V0	Natural	31.8	27.7	19.0	10.2-12.7	1000
60821	GSOTL3-60-4M-66	STL-3-600-4M-01	PA66 UL94V2	Natural	4.0	32.5	21.0	12.7-15.2	1000
60295	GSOTL3-60-1-66	STL-3-600-3-01	PA66 UL94V2	Natural	4.8	32.5	21.0	12.7-15.2	1000
60296	GSOTL3-60-2-66	STL-3-600-8-01	PA66 UL94V2	Natural	12.7	32.5	21.0	12.7-15.2	1000
60297	GSOTL3-60-3-66	STL-3-600-12-01	PA66 UL94V2	Natural	19.1	32.5	21.0	12.7-15.2	1000
60298	GSOTL3-60-4-66	STL-3-600-16-01	PA66 UL94V2	Natural	25.4	32.5	21.0	12.7-15.2	1000
60299	GSOTL3-60-5-66	STL-3-600-20-01	PA66 UL94V2	Natural	31.8	32.5	21.0	12.7-15.2	500
60822	GSOTL3-60-4M-V0	STL-3-600-4M-19	PA66 UL94V0	Natural	4.0	32.5	21.0	12.7-15.2	1000
60830	GSOTL3-60-1-V0	STL-3-600-3-19	PA66 UL94V0	Natural	4.8	32.5	21.0	12.7-15.2	1000
60831	GSOTL3-60-2-V0	STL-3-600-8-19	PA66 UL94V0	Natural	12.7	32.5	21.0	12.7-15.2	1000
60832	GSOTL3-60-3-V0	STL-3-600-12-19	PA66 UL94V0	Natural	19.1	32.5	21.0	12.7-15.2	1000
60833	GSOTL3-60-4-V0	STL-3-600-16-19	PA66 UL94V0	Natural	25.4	32.5	21.0	12.7-15.2	1000
60834	GSOTL3-60-5-V0	STL-3-600-20-19	PA66 UL94V0	Natural	31.8	32.5	21.0	12.7-15.2	500

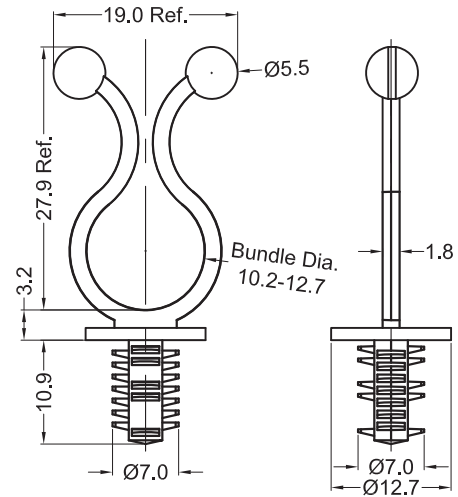
Material: PA66 UL94V2 (GMS-01); PA66 UL94V0 (GMS-02)

TWIST LOCK

Twist Lock, Fir Tree Mount GSOTL8



GSOTL8

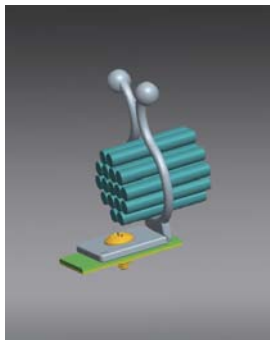


Sizes in mm

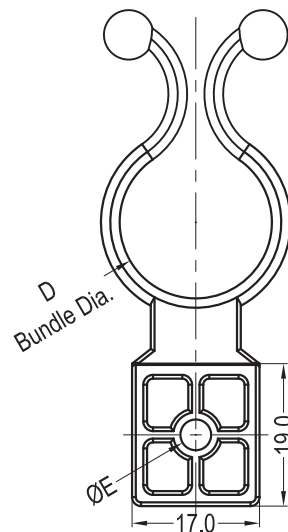
P/N.	Article No.	Cross-Ref.	Material	Color	Hole	Panel Thickness	Packing Unit
60954	GSOTL8-45-2-66	STL-8-450-2-01	PA66 UL94V2	Natural	6.35±0.08	≥0.72	1000
61383	GSOTL8-45-2-V0	STL-8-450-2-19	PA66 UL94V0	Natural	6.35±0.08	≥0.72	1000

Material: PA66 UL94V2 (GMS-01); PA66 UL94V0 (GMS-49)

Twist Lock, Hinged GTLH



GTLH



Sizes in mm

P/N.	Article No.	Cross-Ref.	Material	Color	D	E	Packing Unit
61091	GTLH-800-01	TLH-800-01	PA66 UL94V2	Natural	19.0-21.6	4.1	500
61092	GTLH-800-19	TLH-800-19	PA66 UL94V0	Natural	19.0-21.6	4.1	500
61211	GTLH-800-1-01	-	PA66 UL94V2	Natural	19.0-21.6	5.0	500
61212	GTLH-800-1-19	-	PA66 UL94V0	Natural	19.0-21.6	5.0	500

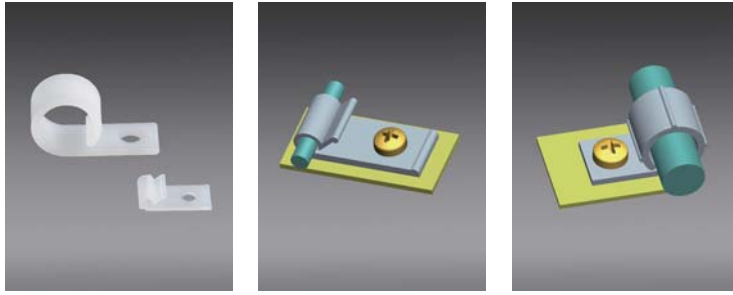
Material: PA66 UL94V2 (GMS-01); PA66 UL94V0 (GMS-02)

D



CABLE CLAMPS

Cable Clamp with Screw Mount GWHC



GWHC

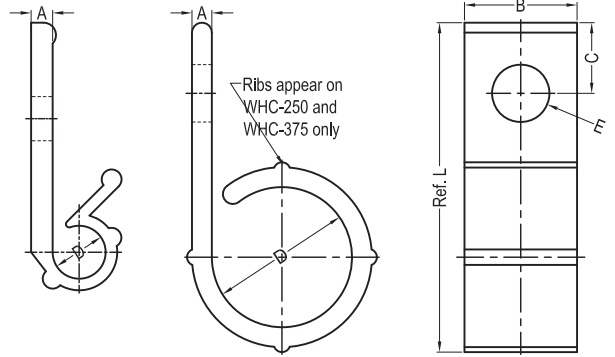


Fig.1

Fig.2

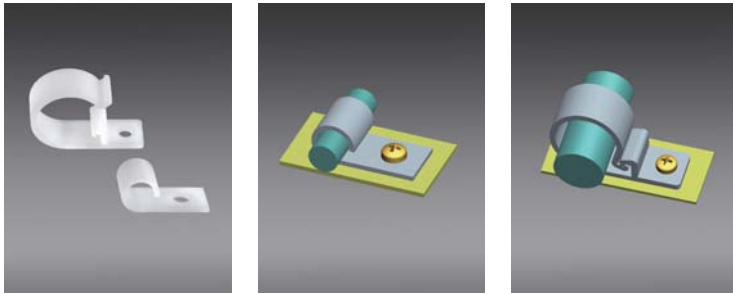
Sizes in mm

P/N.	Article No.	Cross-Ref.	Material	Color	A	B	C	D	E	L	Bundle Ø	FIG.	Packing Unit
60373	GWHC-125-01	WHC-125-01	PA66 UL94V2	Natural	1.3	8.5	5.8	3.2	4.0	19.5	3.2	1	1000
60618	GWHC-250-01	WHC-250-01	PA66 UL94V2	Natural	1.5	10.3	6.4	6.4	5.2	21.8	6.4	2	1000
60420	GWHC-375-01	WHC-375-01	PA66 UL94V2	Natural	1.3	10.2	4.8	9.5	5.2	21.1	9.5	2	1000
60337	GWHC-500-01	WHC-500-01	PA66 UL94V2	Natural	1.8	10.2	6.4	12.5	5.2	29.4	12.5	2	1000
60443	GWHC-625-01	WHC-625-01	PA66 UL94V2	Natural	2.0	12.7	4.8	15.9	5.2	28.6	15.9	2	500
60663	GWHC-750-01	WHC-750-01	PA66 UL94V2	Natural	2.1	12.7	4.8	19.1	5.2	32.5	19.1	2	500
60664	GWHC-1000-01	WHC-1000-01	PA66 UL94V2	Natural	2.2	12.7	4.8	25.4	5.2	38.9	25.4	2	250
60665	GWHC-1500-01	WHC-1500-01	PA66 UL94V2	Natural	2.5	12.7	4.8	38.1	5.2	53.9	38.1	2	100
60946	GWHC-125-01B	WHC-125-01BK	PA66 UL94V2	Black	1.3	8.5	5.8	3.2	4.0	19.5	3.2	1	1000
60908	GWHC-250-01B	WHC-250-01BK	PA66 UL94V2	Black	1.5	10.3	6.4	6.4	5.2	21.8	6.4	2	1000
60968	GWHC-375-01B	WHC-375-01BK	PA66 UL94V2	Black	1.3	10.2	4.8	9.5	5.2	21.1	9.5	2	1000
60442	GWHC-500-01B	WHC-500-01BK	PA66 UL94V2	Black	1.8	10.2	6.4	12.5	5.2	29.4	12.5	2	1000
60444	GWHC-625-01B	WHC-625-01BK	PA66 UL94V2	Black	2.0	12.7	4.8	15.9	5.2	28.6	15.9	2	500
60970	GWHC-750-01B	WHC-750-01BK	PA66 UL94V2	Black	2.1	12.7	4.8	19.1	5.2	32.5	19.1	2	500
60971	GWHC-1000-01B	WHC-1000-01BK	PA66 UL94V2	Black	2.2	12.7	4.8	25.4	5.2	38.9	25.4	2	250
60972	GWHC-1500-01B	WHC-1500-01BK	PA66 UL94V2	Black	2.5	12.7	4.8	38.1	5.2	53.9	38.1	2	100
60903	GWHC-125-19	WHC-125-19	PA66 UL94V0	Natural	1.3	8.5	5.8	3.2	4.0	19.5	3.2	1	1000
60678	GWHC-250-19	WHC-250-19	PA66 UL94V0	Natural	1.5	10.3	6.4	6.4	5.2	21.8	6.4	2	1000
60899	GWHC-375-19	WHC-375-19	PA66 UL94V0	Natural	1.3	10.2	4.8	9.5	5.2	21.1	9.5	2	1000
60905	GWHC-500-19	WHC-500-19	PA66 UL94V0	Natural	1.8	10.2	6.4	12.5	5.2	29.4	12.5	2	1000
60906	GWHC-625-19	WHC-625-19	PA66 UL94V0	Natural	2.0	12.7	4.8	15.9	5.2	28.6	15.9	2	500
60900	GWHC-750-19	WHC-750-19	PA66 UL94V0	Natural	2.1	12.7	4.8	19.1	5.2	32.5	19.1	2	500
60901	GWHC-1000-19	WHC-1000-19	PA66 UL94V0	Natural	2.2	12.7	4.8	25.4	5.2	38.9	25.4	2	250
60902	GWHC-1500-19	WHC-1500-19	PA66 UL94V0	Natural	2.5	12.7	4.8	38.1	5.2	53.9	38.1	2	100
60966	GWHC-125-19B	WHC-125-19BK	PA66 UL94V0	Black	1.3	8.5	5.8	3.2	4.0	19.5	3.2	1	1000
60967	GWHC-250-19B	WHC-250-19BK	PA66 UL94V0	Black	1.5	10.3	6.4	6.4	5.2	21.8	6.4	2	1000
60969	GWHC-375-19B	WHC-375-19BK	PA66 UL94V0	Black	1.3	10.2	4.8	9.5	5.2	21.1	9.5	2	1000
60904	GWHC-500-19B	WHC-500-19BK	PA66 UL94V0	Black	1.8	10.2	6.4	12.5	5.2	29.4	12.5	2	1000
60907	GWHC-625-19B	WHC-625-19BK	PA66 UL94V0	Black	2.0	12.7	4.8	15.9	5.2	28.6	15.9	2	500
60973	GWHC-750-19B	WHC-750-19BK	PA66 UL94V0	Black	2.1	12.7	4.8	19.1	5.2	32.5	19.1	2	500
60974	GWHC-1000-19B	WHC-1000-19BK	PA66 UL94V0	Black	2.2	12.7	4.8	25.4	5.2	38.9	25.4	2	250
60975	GWHC-1500-19B	WHC-1500-19BK	PA66 UL94V0	Black	2.5	12.7	4.8	38.1	5.2	53.9	38.1	2	100

Material: PA66 UL94V2 (GMS-01); PA66 UL94V0 (GMS-02)

CABLE CLAMPS

Cable Clamp with Screw Mount GEXWHC2



GEXWHC2

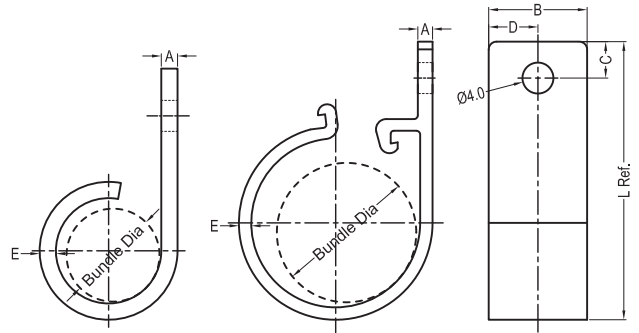


Fig.1

Fig.2

Sizes in mm

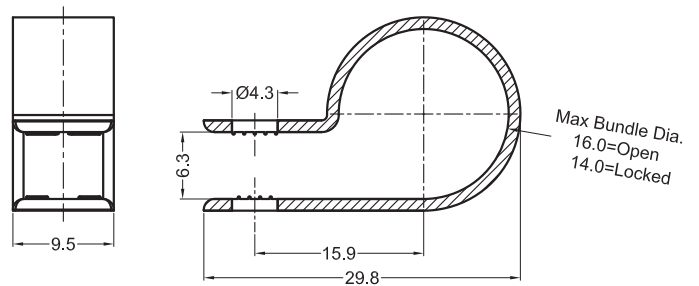
P/N.	Article No.	Cross-Ref.	Material	Color	A	B	C	D	E	L	Bundle Ø	FIG.	Packing Unit
60796	GEXWHC2-250-01	EXWHC2-250-01	PA66 UL94V2	Natural	1.0	10.0	6.0	5.0	1.0	21.0	6.35	1	1000
60795	GEXWHC2-500-01	EXWHC2-500-01	PA66 UL94V2	Natural	1.6	10.0	4.7	5.0	1.4	30.0	12.7	2	1000
60470	GEXWHC2-750-01	EXWHC2-750-01	PA66 UL94V2	Natural	1.8	12.7	4.7	6.35	1.6	35.0	18.0	2	500
60805	GEXWHC2-250-19	EXWHC2-250-19	PA66 UL94V0	Natural	1.0	10.0	6.0	5.0	1.0	21.0	6.35	1	1000
60803	GEXWHC2-500-19	EXWHC2-500-19	PA66 UL94V0	Natural	1.6	10.0	4.7	5.0	1.4	30.0	12.7	2	1000
60804	GEXWHC2-750-19	EXWHC2-750-19	PA66 UL94V0	Natural	1.8	12.7	4.7	6.35	1.6	35.0	18.0	2	500

Material: PA66 UL94V2 (GMS-01); PA66 UL94V0 (GMS-02)

Cable Clamp with Screw Mount GNK-10N



GNK-10N



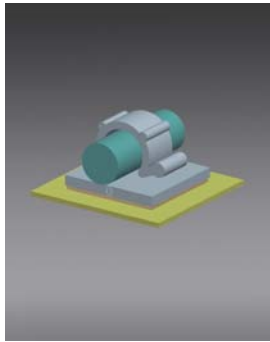
Sizes in mm

P/N.	Article No.	Material	Color	Packing Unit
60336	GNK-10N	PA66 UL94V2	Natural	1000

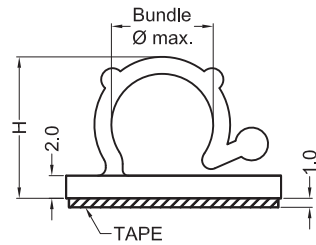
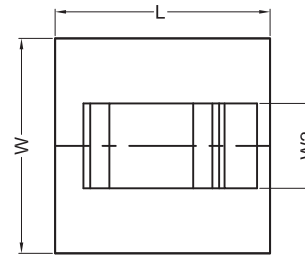
Material: PA66 UL94V2 (GMS-01)

CABLE CLAMPS

Cable Clamp on Adhesive Base GRA9/13



GRA9/13

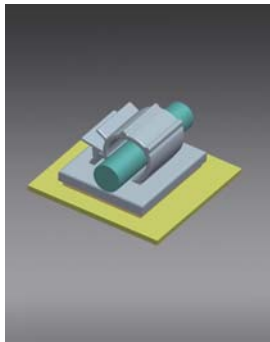


Sizes in mm

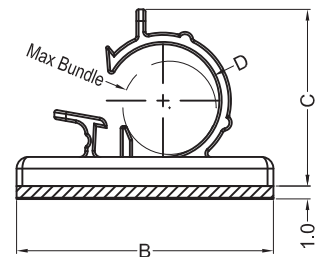
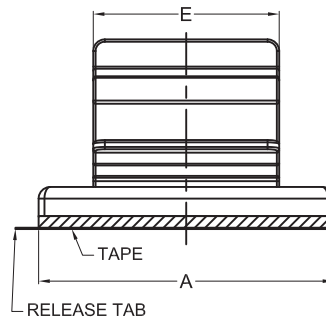
P/N.	Article No.	Material	Material I	Color	H	L	W	W2	Adhesive Tape	Bundle Ø	Packing Unit
60649	GRA9	PA66 UL94V2	-	Natural	12.5	19.0	19.0	7.5	-	9.0	1000
60650	GRA9-AT	PA66 UL94V2	TAPE	Natural	12.5	19.0	19.0	7.5	18.5*18.5*1.0	9.0	1000
60911	GRA13	PA66 UL94V2	-	Natural	16.5	25.0	25.0	10.0	-	13.0	500
60785	GRA13-AT	PA66 UL94V2	TAPE	Natural	16.5	25.0	25.0	10.0	24.5*24.5*1.0	13.0	500

Material: PA66 UL94V2 (GMS-01); Acrylic Adhesive Tape (GMS-06); Optional: Rubber Adhesive Tape (GMS-61); To order Rubber, please change -AT to -RT in Article No. (Example: GRA9-RT)

Cable Clamp on Adhesive Base G021



G021



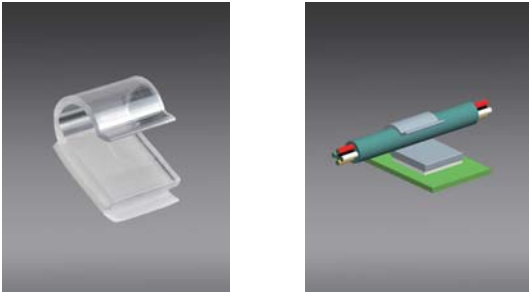
Sizes in mm

P/N.	Article No.	Material	Color	A	B	C	D	E	Adhesive Tape	Bundle Ø	Packing Unit
60474	G021-188-AT	PA66 UL94V2	Grey	18.8	15.9	12.7	7.8	9.7	15.6*18.5A*1.0	4.7	1000
60459	G021-250-AT	PA66 UL94V2	Grey	25.4	22.1	15.2	9.7	16.0	22.0*25.0A*1.0	6.4	1000
60460	G021-375-AT	PA66 UL94V2	Grey	25.4	25.4	22.5	14.7	16.0	25.0*25.0A*1.0	9.5	500
60461	G021-500-AT	PA66 UL94V2	Grey	25.4	30.7	26.8	19.0	16.0	30.0*25.0A*1.0	12.7	500
60475	G021-750-AT	PA66 UL94V2	Grey	29.2	36.8	29.8	24.5	16.9	36.2*28.6A*1.0	19.1	250

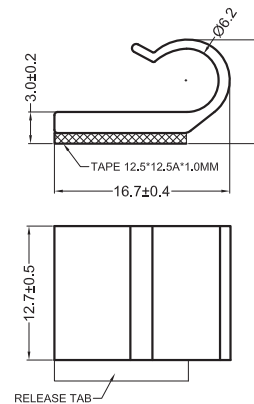
Material: PA66 UL94V2 (GMS-01); Acrylic Adhesive Tape (GMS-06); Optional: Rubber Adhesive Tape (GMS-61); To order Rubber, please change -AT to -RT in Article No. (Example: G021-188-RT)

CABLE CLAMPS

Cable Clamp on Adhesive Base GMKKJ-4



GMKKJ-4

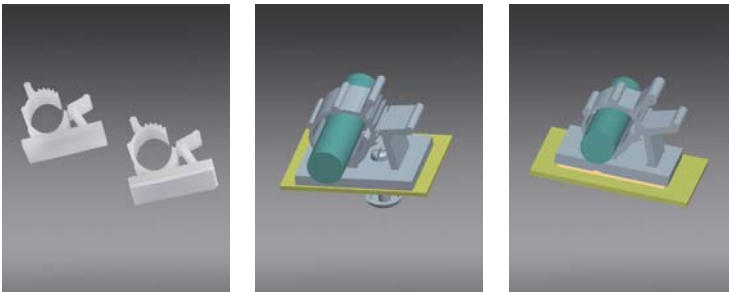


Sizes in mm

P/N.	Article No.	Cross-Ref.	Material	Color	Adhesive Tape	Packing Unit
60943	GMKKJ-4-AT	MKKJ-4-RT	PVC Flame Retardant	Clear	12.5*12.5*1.0	1000

Material: PVC FLAME RETARDANT (GMS-40); Adhesive Tape (GMS-06); Optional: Rubber Adhesive Tape (GMS-61);
To order Rubber, please change -AT to -RT in Article No. (Example: GMKKJ-4-RT)

Cable Clamp on Adhesive Base GACR



GACR-1A

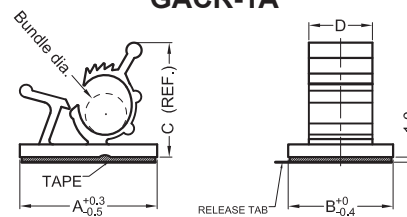


Fig.1

GACR-1/2/3/4

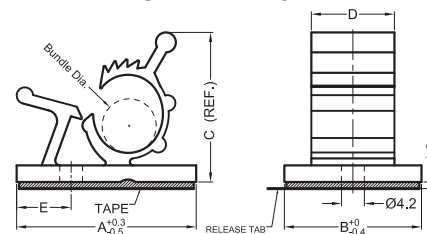


Fig.2

Sizes in mm

P/N.	Article No.	Cross-Ref.	Material	Adhesive Tape	Color	A	B	C	D	E	Bundle Ø	FIG.	Packing Unit
60478	GACR-1A-66-AT	AKKL-2140A-RT	PA66 UL94V2	21.0*16.0A*1.0	Natural	21.6	16.5	18.0	10.0	-	5.5-6.5	1	500
60446	GACR-1-66-AT	AKKL-3140A-RT	PA66 UL94V2	25.4*19.0A*1.0	Natural	25.4	19.1	22.0	10.2	9.0	7.9-10.3	2	500
60447	GACR-2-66-AT	AKKL-4756A-RT	PA66 UL94V2	31.5*19.0A*1.0	Natural	31.5	19.1	27.7	10.2	10.0	11.9-14.3	2	250
60448	GACR-3-66-AT	AKKL-5775A-RT	PA66 UL94V2	38.1*19.0A*1.0	Natural	38.1	19.1	32.8	12.7	12.0	14.7-19.1	2	200
60449	GACR-4-66-AT	AKKL-8710A-RT	PA66 UL94V2	50.5*25.0A*1.0	Natural	50.5	25.4	44.5	12.7	16.0	22.2-25.4	2	100
60473	GACR-1A-66	AKKL-2140-01	PA66 UL94V2	-	Natural	21.6	16.5	18.0	10.0	-	5.5-6.5	1	500
60182	GACR-1-66	AKKL-3140-01	PA66 UL94V2	-	Natural	25.4	19.1	22.0	10.2	9.0	7.9-10.3	2	500
60183	GACR-2-66	AKKL-4756-01	PA66 UL94V2	-	Natural	31.5	19.1	27.7	10.2	10.0	11.9-14.3	2	250
60184	GACR-3-66	AKKL-5775-01	PA66 UL94V2	-	Natural	38.1	19.1	32.8	12.7	12.0	14.7-19.1	2	200
60185	GACR-4-66	AKKL-8710-01	PA66 UL94V2	-	Natural	50.5	25.4	44.5	12.7	16.0	22.2-25.4	2	100

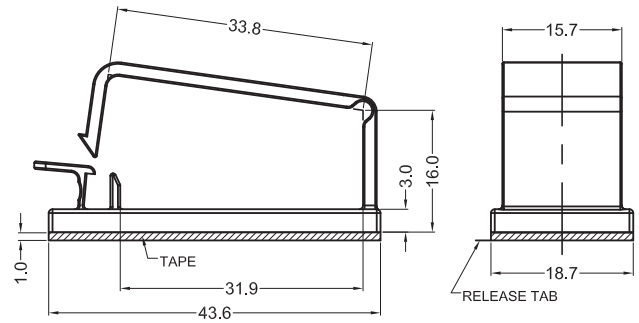
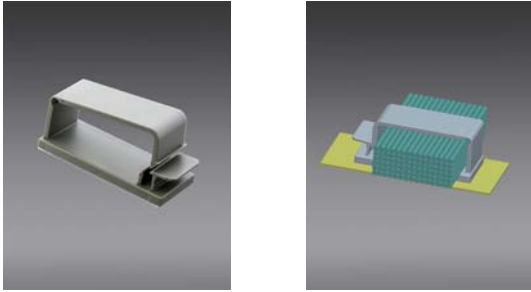
Material: PA66 UL94V2 (GMS-01); Adhesive Tape (GMS-06); Optional: Rubber Adhesive Tape (GMS-61);
To order Rubber, please change -AT to -RT in Article No. (Example: GACR-1A-66-RT)



CABLE CLAMPS

Cable Clamp on Adhesive Base G037-0500

G037-0500



Sizes in mm

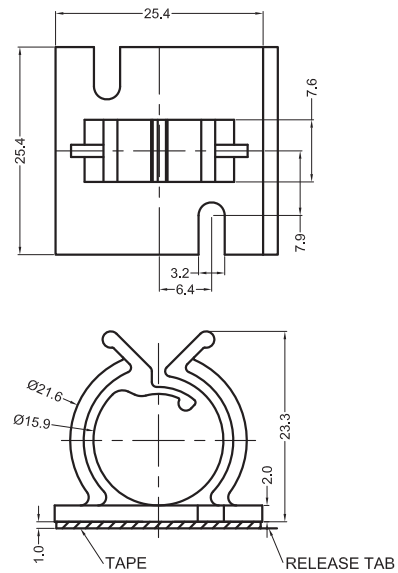
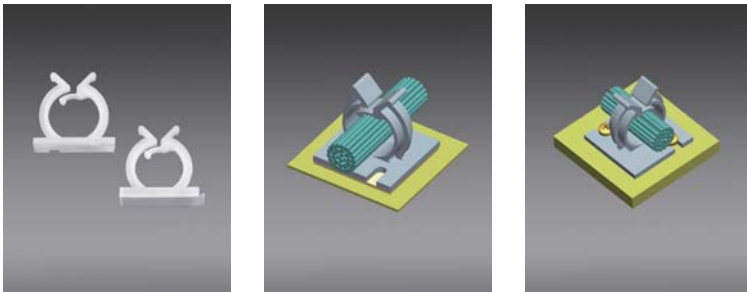
P/N.	Article No.	Material	Color	Adhesive Tape	Packing Unit
60445	G037-0500-AT	PA66 UL94V2	Grey	43.0*18.0A*1.0	200

Material: PA66 UL94V2 (GMS-01); Adhesive Tape (GMS-06); Optional: Rubber Adhesive Tape (GMS-61);
To order Rubber, please change -AT to -RT in Article No. (Example: G037-0500-RT)

D

Cable Clamp on Adhesive Base GRWSB

GRWSB



Sizes in mm

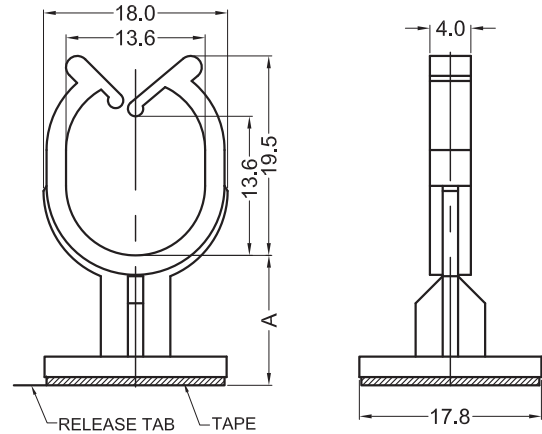
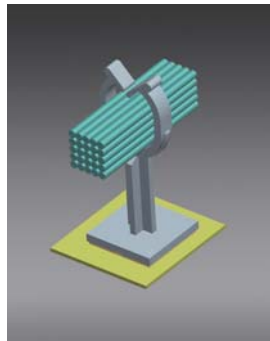
P/N.	Article No.	Cross-Ref.	Material	Material I	Adhesive Tape	Color	Packing Unit
60719	GRWSB-10-01-AT	RWSB-10-01A-RT	PA66 UL94V2	TAPE	25.0*25.0A*1.0	Natural	500
60718	GRWSB-10-01	RWSB-10-01	PA66 UL94V2	-	-	Natural	500

Material: PA66 UL94V2 (GMS-01); Adhesive Tape (GMS-06); Optional: Rubber Adhesive Tape (GMS-61);
To order Rubber, please change -AT to -RT in Article No. (Example: GRWSB-10-01-RT)

CABLE CLAMPS

Stand-Off Harness Clip on Adhesive Base GSHKBS

GSHKBS



Sizes in mm

P/N.	Article No.	Cross-Ref.	Material	Color	A	Adhesive Tape	Packing Unit
60324	GSHKBS-4-01-AT	SHKBS-4-01A-RT	PA66 UL94V2	Natural	6.4	17.0*17A*1.0	1000
60325	GSHKBS-8-01-AT	SHKBS-8-01A-RT	PA66 UL94V2	Natural	12.7	17.0*17A*1.0	500
60326	GSHKBS-12-01-AT	SHKBS-12-01A-RT	PA66 UL94V2	Natural	19.1	17.0*17A*1.0	500
60327	GSHKBS-16-01-AT	SHKBS-16-01A-RT	PA66 UL94V2	Natural	25.4	17.0*17A*1.0	500

Material: PA66 UL94V2 (GMS-01); Acrylic Adhesive Tape (GMS-06); Optional: Rubber Adhesive Tape (GMS-61);
To order Rubber, please change -AT to -RT in Article No. (Example: GSHKBS-4-01-RT)

Plug-In Cable Clamp GPAKKL

GPAKKL

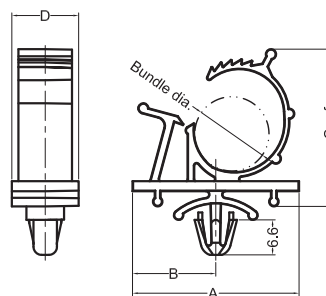
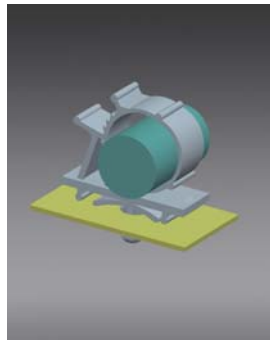


Fig.1

Hole: 6.35±0.08mm
Panel Thickness: 0.8-1.5mm

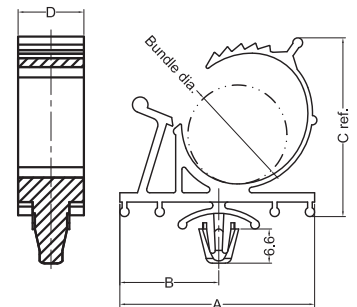


Fig.2

Hole: 6.35±0.08mm
Panel Thickness: 0.8-1.5mm

Sizes in mm

P/N.	Article No.	Cross-Ref.	Material	Color	A	B	C	D	Bundle Ø	FIG.	Packing Unit
61355	GPAKKL-3140-01	PAKKL-3140-01	PA66 UL94V2	Natural	19.1	9.7	23.8	8.9	7.9-10.2	1	1000
61354	GPAKKL-3140-19	PAKKL-3140-19	PA66 UL94V0	Natural	19.1	9.7	23.8	8.9	7.9-10.2	1	1000
60591	GPAKKL-4756-01	PAKKL-4756-01	PA66 UL94V2	Natural	31.4	15.7	29.6	12.6	11.9-14.0	1	500
60810	GPAKKL-4756-19	PAKKL-4756-19	PA66 UL94V0	Natural	31.4	15.7	29.6	12.6	11.9-14.0	1	500
60414	GPAKKL-5775-01	PAKKL-5775-01	PA66 UL94V2	Natural	37.6	19.1	34.5	12.7	14.7-19.1	2	200
60871	GPAKKL-5775-19	PAKKL-5775-19	PA66 UL94V0	Natural	37.6	19.1	34.5	12.7	14.7-19.1	2	200

Material: PA66 UL94V2 (GMS-01); PA66 UL94V0 (GMS-02)



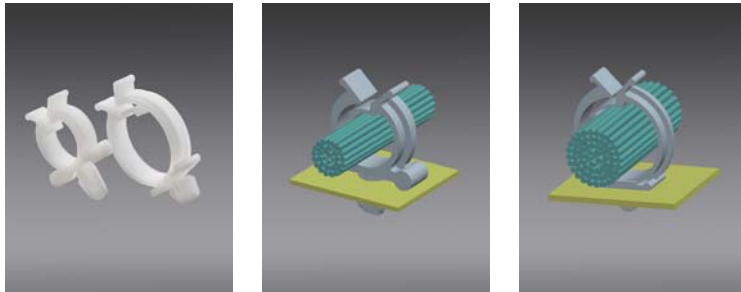
sales@sucatec.com



www.sucatec.com

CABLE CLAMPS

Plug-In Cable Clamp GRWS



GRWS-10

GRWS-16

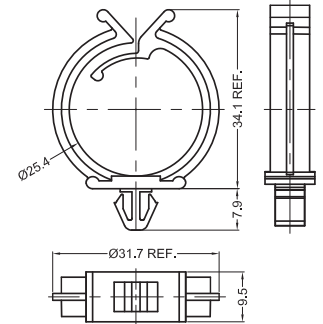
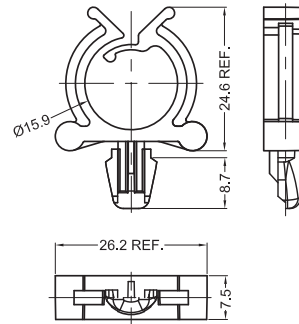


Fig.1

Fig.2

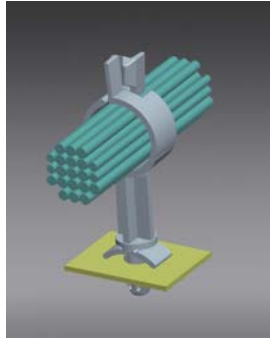
Sizes in mm

P/N.	Article No.	Cross-Ref.	Material	Color	Hole	Panel Thickness	FIG.	Packing Unit
60754	GRWS-10-01	RWS-10-01	PA66 UL94V2	Natural	□6.35±0.08	0.76-1.52	1	500
60755	GRWS-10-01B	RWS-10-01BK	PA66 UL94V2	Black	□6.35±0.08	0.76-1.52	1	500
60756	GRWS-10-19	RWS-10-19	PA66 UL94V0	Natural	□6.35±0.08	0.76-1.52	1	500
60757	GRWS-16-01	RWS-16-01	PA66 UL94V2	Natural	□6.35±0.1	1.47-2.54	2	500
60758	GRWS-16-01B	RWS-16-01BK	PA66 UL94V2	Black	□6.35±0.1	1.47-2.54	2	500
60759	GRWS-16-19	RWS-16-19	PA66 UL94V0	Natural	□6.35±0.1	1.47-2.54	2	500

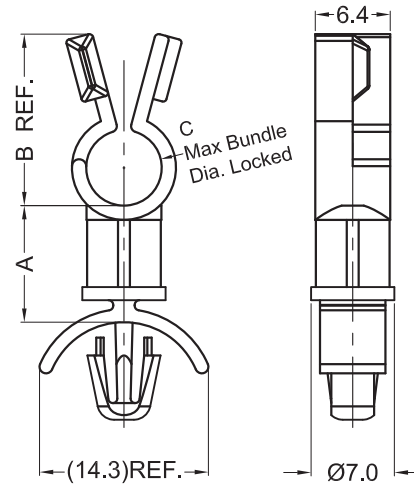
Material: PA66 UL94V2 (GMS-01); PA66 UL94V0 (GMS-02)

CABLE CLAMPS

Stand-Off Locking Clip GSLCS



GSLCS



Hole: 4.75±0.08mm

Panel Thickness: 1.6mm

Sizes in mm

P/N.	Article No.	Cross-Ref.	Material	Color	A	B	C	Packing Unit
60657	GSLCS-250-4M-66	-	PA66 UL94V2	Natural	4.0	13.5	4.8	1000
60407	GSLCS-250-3-66	SLCS-250-3-01	PA66 UL94V2	Natural	4.8	13.5	4.8	1000
60408	GSLCS-250-4-66	SLCS-250-4-01	PA66 UL94V2	Natural	6.4	13.5	4.8	1000
60409	GSLCS-250-6-66	SLCS-250-6-01	PA66 UL94V2	Natural	9.5	13.5	4.8	1000
60410	GSLCS-250-8-66	SLCS-250-8-01	PA66 UL94V2	Natural	12.7	13.5	4.8	1000
60411	GSLCS-250-10-66	SLCS-250-10-01	PA66 UL94V2	Natural	15.9	13.5	4.8	1000
60412	GSLCS-250-16-66	SLCS-250-16-01	PA66 UL94V2	Natural	25.4	13.5	4.8	1000
60767	GSLCS-500-3-66	SLCS-500-3-01	PA66 UL94V2	Natural	4.8	20.1	11.1	1000
60768	GSLCS-500-4-66	SLCS-500-4-01	PA66 UL94V2	Natural	6.4	20.1	11.1	1000
60769	GSLCS-500-6-66	SLCS-500-6-01	PA66 UL94V2	Natural	9.5	20.1	11.1	1000
60770	GSLCS-500-8-66	SLCS-500-8-01	PA66 UL94V2	Natural	12.7	20.1	11.1	1000
60771	GSLCS-500-10-66	SLCS-500-10-01	PA66 UL94V2	Natural	15.9	20.1	11.1	1000
60772	GSLCS-500-16-66	SLCS-500-16-01	PA66 UL94V2	Natural	25.4	20.1	11.1	1000
60658	GSLCS-250-4M-V0	-	PA66 UL94V0	Natural	4.0	13.5	4.8	1000
60642	GSLCS-250-3-V0	SLCS-250-3-19	PA66 UL94V0	Natural	4.8	13.5	4.8	1000
60643	GSLCS-250-4-V0	SLCS-250-4-19	PA66 UL94V0	Natural	6.4	13.5	4.8	1000
60644	GSLCS-250-6-V0	SLCS-250-6-19	PA66 UL94V0	Natural	9.5	13.5	4.8	1000
60645	GSLCS-250-8-V0	SLCS-250-8-19	PA66 UL94V0	Natural	12.7	13.5	4.8	1000
60646	GSLCS-250-10-V0	SLCS-250-10-19	PA66 UL94V0	Natural	15.9	13.5	4.8	1000
60647	GSLCS-250-16-V0	SLCS-250-16-19	PA66 UL94V0	Natural	25.4	13.5	4.8	1000
60760	GSLCS-500-3-V0	SLCS-500-3-19	PA66 UL94V0	Natural	4.8	20.1	11.1	1000
60761	GSLCS-500-4-V0	SLCS-500-4-19	PA66 UL94V0	Natural	6.4	20.1	11.1	1000
60762	GSLCS-500-6-V0	SLCS-500-6-19	PA66 UL94V0	Natural	9.5	20.1	11.1	1000
60763	GSLCS-500-8-V0	SLCS-500-8-19	PA66 UL94V0	Natural	12.7	20.1	11.1	1000
60764	GSLCS-500-10-V0	SLCS-500-10-19	PA66 UL94V0	Natural	15.9	20.1	11.1	1000
60765	GSLCS-500-16-V0	SLCS-500-16-19	PA66 UL94V0	Natural	25.4	20.1	11.1	1000

Material: PA66 UL94V2 (GMS-01); PA66 UL94V0 (GMS-02)



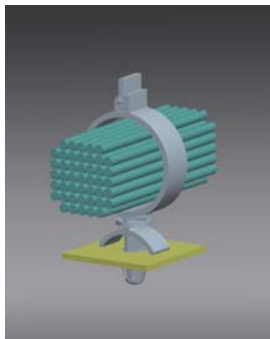
sales@sucatec.com



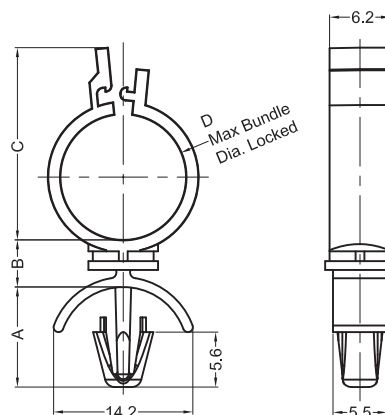
www.sucatec.com

CABLE CLAMPS

Stand-Off Locking Clip GSLCSE



GSLCSE



Hole: 4.75±0.08mm

Panel Thickness: See Table

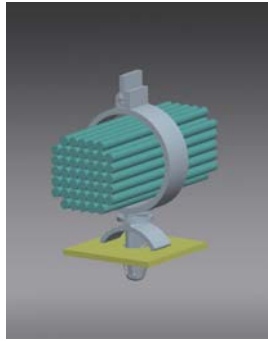
Sizes in mm

P/N.	Article No.	Cross-Ref.	Material	Color	A	B	C	D	Panel Thickness	Packing Unit
60746	GSLCSE-500-3-01	SLCSE-500-3-01	PA66 UL94V2	Natural	8.56	4.8	19.6	12.0	0.8-2.0	1000
60747	GSLCSE-500-4-01	SLCSE-500-4-01	PA66 UL94V2	Natural	8.56	6.4	19.6	12.0	0.8-2.0	1000
60748	GSLCSE-500-6-01	SLCSE-500-6-01	PA66 UL94V2	Natural	8.56	9.5	19.6	12.0	0.8-2.0	1000
60749	GSLCSE-500-8-01	SLCSE-500-8-01	PA66 UL94V2	Natural	8.56	12.7	19.6	12.0	0.8-2.0	1000
61250	GSLCSE-500-10-01	SLCSE-500-10-01	PA66 UL94V2	Natural	8.56	15.9	19.6	12.0	0.8-2.0	1000
61240	GSLCSE-500-12-01	SLCSE-500-12-01	PA66 UL94V2	Natural	8.56	19.1	19.6	12.0	0.8-2.0	1000
61251	GSLCSE-500-14-01	SLCSE-500-14-01	PA66 UL94V2	Natural	8.56	22.2	19.6	12.0	0.8-2.0	1000
61252	GSLCSE-500-16-01	SLCSE-500-16-01	PA66 UL94V2	Natural	8.56	25.4	19.6	12.0	0.8-2.0	1000
60853	GSLCSE-500-3-19	SLCSE-500-3-19	PA66 UL94V0	Natural	8.56	4.8	19.6	12.0	0.8-2.0	1000
60864	GSLCSE-500-4-19	SLCSE-500-4-19	PA66 UL94V0	Natural	8.56	6.4	19.6	12.0	0.8-2.0	1000
60865	GSLCSE-500-6-19	SLCSE-500-6-19	PA66 UL94V0	Natural	8.56	9.5	19.6	12.0	0.8-2.0	1000
60866	GSLCSE-500-8-19	SLCSE-500-8-19	PA66 UL94V0	Natural	8.56	12.7	19.6	12.0	0.8-2.0	1000
61295	GSLCSE-500-10-19	SLCSE-500-10-19	PA66 UL94V0	Natural	8.56	15.9	19.6	12.0	0.8-2.0	1000
61296	GSLCSE-500-12-19	SLCSE-500-12-19	PA66 UL94V0	Natural	8.56	19.1	19.6	12.0	0.8-2.0	1000
61297	GSLCSE-500-14-19	SLCSE-500-14-19	PA66 UL94V0	Natural	8.56	22.2	19.6	12.0	0.8-2.0	1000
61298	GSLCSE-500-16-19	SLCSE-500-16-19	PA66 UL94V0	Natural	8.56	25.4	19.6	12.0	0.8-2.0	1000
60476	GSLCSE-750-3-01	SLCSE-750-3-01	PA66 UL94V2	Natural	8.56	4.8	26.1	18.5	0.8-2.0	1000
60482	GSLCSE-750-4-01	SLCSE-750-4-01	PA66 UL94V2	Natural	8.56	6.4	26.1	18.5	0.8-2.0	1000
60483	GSLCSE-750-6-01	SLCSE-750-6-01	PA66 UL94V2	Natural	8.56	9.5	26.1	18.5	0.8-2.0	1000
60484	GSLCSE-750-8-01	SLCSE-750-8-01	PA66 UL94V2	Natural	8.56	12.7	26.1	18.5	0.8-2.0	1000
61241	GSLCSE-750-10-01	SLCSE-750-10-01	PA66 UL94V2	Natural	8.56	15.9	26.1	18.5	0.8-2.0	1000
61253	GSLCSE-750-12-01	SLCSE-750-12-01	PA66 UL94V2	Natural	8.56	19.1	26.1	18.5	0.8-2.0	1000
61254	GSLCSE-750-14-01	SLCSE-750-14-01	PA66 UL94V2	Natural	8.56	22.2	26.1	18.5	0.8-2.0	1000
61255	GSLCSE-750-16-01	SLCSE-750-16-01	PA66 UL94V2	Natural	8.56	25.4	26.1	18.5	0.8-2.0	1000
60867	GSLCSE-750-3-19	SLCSE-750-3-19	PA66 UL94V0	Natural	8.56	4.8	26.1	18.5	0.8-2.0	1000
60868	GSLCSE-750-4-19	SLCSE-750-4-19	PA66 UL94V0	Natural	8.56	6.4	26.1	18.5	0.8-2.0	1000
60869	GSLCSE-750-6-19	SLCSE-750-6-19	PA66 UL94V0	Natural	8.56	9.5	26.1	18.5	0.8-2.0	1000
60870	GSLCSE-750-8-19	SLCSE-750-8-19	PA66 UL94V0	Natural	8.56	12.7	26.1	18.5	0.8-2.0	1000
61299	GSLCSE-750-10-19	SLCSE-750-10-19	PA66 UL94V0	Natural	8.56	15.9	26.1	18.5	0.8-2.0	1000
61300	GSLCSE-750-12-19	SLCSE-750-12-19	PA66 UL94V0	Natural	8.56	19.1	26.1	18.5	0.8-2.0	1000
61301	GSLCSE-750-14-19	SLCSE-750-14-19	PA66 UL94V0	Natural	8.56	22.2	26.1	18.5	0.8-2.0	1000
61302	GSLCSE-750-16-19	SLCSE-750-16-19	PA66 UL94V0	Natural	8.56	25.4	26.1	18.5	0.8-2.0	1000

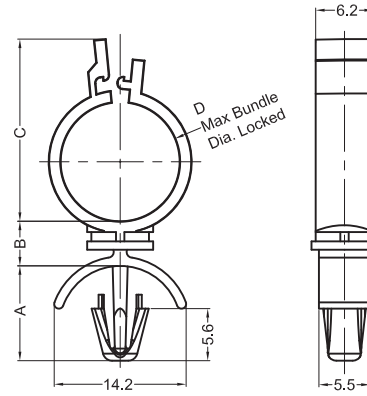
Material: PA66 UL94V2 (GMS-01); PA66 UL94V0 (GMS-02)

CABLE CLAMPS

Stand-Off Locking Clip GSLCSE



GSLCSE



Hole: 4.75±0.08mm

Panel Thickness: See Table

Sizes in mm

P/N.	Article No.	Cross-Ref.	Material	Color	A	B	C	D	Panel Thickness	Packing Unit
60750	GSLCSE2-500-3-01	SLCSE2-500-3-01	PA66 UL94V2	Natural	10.2	4.8	19.6	12.0	2.0-4.0	1000
60751	GSLCSE2-500-4-01	SLCSE2-500-4-01	PA66 UL94V2	Natural	10.2	6.4	19.6	12.0	2.0-4.0	1000
60752	GSLCSE2-500-6-01	SLCSE2-500-6-01	PA66 UL94V2	Natural	10.2	9.5	19.6	12.0	2.0-4.0	1000
60753	GSLCSE2-500-8-01	SLCSE2-500-8-01	PA66 UL94V2	Natural	10.2	12.7	19.6	12.0	2.0-4.0	1000
61257	GSLCSE2-500-10-01	SLCSE2-500-10-01	PA66 UL94V2	Natural	10.2	15.9	19.6	12.0	2.0-4.0	1000
61258	GSLCSE2-500-12-01	SLCSE2-500-12-01	PA66 UL94V2	Natural	10.2	19.1	19.6	12.0	2.0-4.0	1000
61259	GSLCSE2-500-14-01	SLCSE2-500-14-01	PA66 UL94V2	Natural	10.2	22.2	19.6	12.0	2.0-4.0	1000
61260	GSLCSE2-500-16-01	SLCSE2-500-16-01	PA66 UL94V2	Natural	10.2	25.4	19.6	12.0	2.0-4.0	1000
60916	GSLCSE2-500-3-19	SLCSE2-500-3-19	PA66 UL94V0	Natural	10.2	4.8	19.6	12.0	2.0-4.0	1000
60917	GSLCSE2-500-4-19	SLCSE2-500-4-19	PA66 UL94V0	Natural	10.2	6.4	19.6	12.0	2.0-4.0	1000
60918	GSLCSE2-500-6-19	SLCSE2-500-6-19	PA66 UL94V0	Natural	10.2	9.5	19.6	12.0	2.0-4.0	1000
60919	GSLCSE2-500-8-19	SLCSE2-500-8-19	PA66 UL94V0	Natural	10.2	12.7	19.6	12.0	2.0-4.0	1000
61287	GSLCSE2-500-10-19	SLCSE2-500-10-19	PA66 UL94V0	Natural	10.2	15.9	19.6	12.0	2.0-4.0	1000
61288	GSLCSE2-500-12-19	SLCSE2-500-12-19	PA66 UL94V0	Natural	10.2	19.1	19.6	12.0	2.0-4.0	1000
61289	GSLCSE2-500-14-19	SLCSE2-500-14-19	PA66 UL94V0	Natural	10.2	22.2	19.6	12.0	2.0-4.0	1000
61290	GSLCSE2-500-16-19	SLCSE2-500-16-19	PA66 UL94V0	Natural	10.2	25.4	19.6	12.0	2.0-4.0	1000
60597	GSLCSE2-750-3-01	SLCSE2-750-3-01	PA66 UL94V2	Natural	10.2	4.8	26.1	18.5	2.0-4.0	1000
60598	GSLCSE2-750-4-01	SLCSE2-750-4-01	PA66 UL94V2	Natural	10.2	6.4	26.1	18.5	2.0-4.0	1000
60599	GSLCSE2-750-6-01	SLCSE2-750-6-01	PA66 UL94V2	Natural	10.2	9.5	26.1	18.5	2.0-4.0	1000
60600	GSLCSE2-750-8-01	SLCSE2-750-8-01	PA66 UL94V2	Natural	10.2	12.7	26.1	18.5	2.0-4.0	1000
61261	GSLCSE2-750-10-01	SLCSE2-750-10-01	PA66 UL94V2	Natural	10.2	15.9	26.1	18.5	2.0-4.0	1000
61262	GSLCSE2-750-12-01	SLCSE2-750-12-01	PA66 UL94V2	Natural	10.2	19.1	26.1	18.5	2.0-4.0	1000
61263	GSLCSE2-750-14-01	SLCSE2-750-14-01	PA66 UL94V2	Natural	10.2	22.2	26.1	18.5	2.0-4.0	1000
61264	GSLCSE2-750-16-01	SLCSE2-750-16-01	PA66 UL94V2	Natural	10.2	25.4	26.1	18.5	2.0-4.0	1000
60912	GSLCSE2-750-3-19	SLCSE2-750-3-19	PA66 UL94V0	Natural	10.2	4.8	26.1	18.5	2.0-4.0	1000
60913	GSLCSE2-750-4-19	SLCSE2-750-4-19	PA66 UL94V0	Natural	10.2	6.4	26.1	18.5	2.0-4.0	1000
60914	GSLCSE2-750-6-19	SLCSE2-750-6-19	PA66 UL94V0	Natural	10.2	9.5	26.1	18.5	2.0-4.0	1000
60915	GSLCSE2-750-8-19	SLCSE2-750-8-19	PA66 UL94V0	Natural	10.2	12.7	26.1	18.5	2.0-4.0	1000
61291	GSLCSE2-750-10-19	SLCSE2-750-10-19	PA66 UL94V0	Natural	10.2	15.9	26.1	18.5	2.0-4.0	1000
61292	GSLCSE2-750-12-19	SLCSE2-750-12-19	PA66 UL94V0	Natural	10.2	19.1	26.1	18.5	2.0-4.0	1000
61293	GSLCSE2-750-14-19	SLCSE2-750-14-19	PA66 UL94V0	Natural	10.2	22.2	26.1	18.5	2.0-4.0	1000
61294	GSLCSE2-750-16-19	SLCSE2-750-16-19	PA66 UL94V0	Natural	10.2	25.4	26.1	18.5	2.0-4.0	1000

Material: PA66 UL94V2 (GMS-01); PA66 UL94V0 (GMS-02)



sales@sucatec.com



www.sucatec.com

CABLE CLAMPS

Stand-Off Harness Clamp GSHK/GSHK-J1



GSHK

GSHK-J1

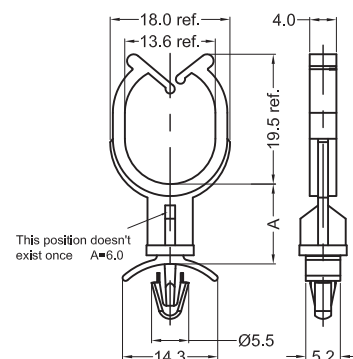
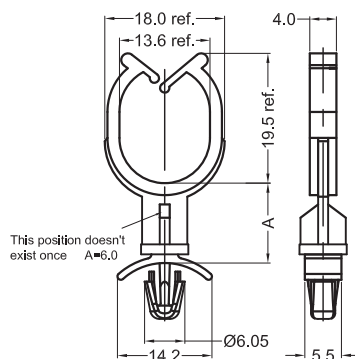


Fig.1

Fig.2

Sizes in mm

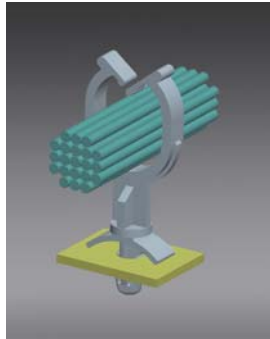
P/N.	Article No.	Cross-Ref.	Material	Color	A	Hole	Panel Thickness	FIG.	Packing Unit
60305	GSHK-6M-66	SHK-J-6M-01	PA66 UL94V2	Natural	6.0	4.75±0.08	1.57	1	1000
60306	GSHK-8M-66	SHK-J-8M-01	PA66 UL94V2	Natural	8.0	4.75±0.08	1.57	1	1000
60863	GSHK-6-66	SHK-6-01	PA66 UL94V2	Natural	9.5	4.75±0.08	1.57	1	1000
60307	GSHK-10M-66	SHK-J-10M-01	PA66 UL94V2	Natural	10.0	4.75±0.08	1.57	1	1000
60308	GSHK-12M-66	SHK-J-12M-01	PA66 UL94V2	Natural	12.0	4.75±0.08	1.57	1	1000
60854	GSHK-8-66	SHK-8-01	PA66 UL94V2	Natural	12.7	4.75±0.08	1.57	1	1000
60309	GSHK-14M-66	SHK-J-14M-01	PA66 UL94V2	Natural	14.0	4.75±0.08	1.57	1	1000
60310	GSHK-16M-66	SHK-J-16M-01	PA66 UL94V2	Natural	16.0	4.75±0.08	1.57	1	1000
60311	GSHK-18M-66	SHK-J-18M-01	PA66 UL94V2	Natural	18.0	4.75±0.08	1.57	1	1000
60855	GSHK-12-66	SHK-12-01	PA66 UL94V2	Natural	19.1	4.75±0.08	1.57	1	1000
60312	GSHK-20M-66	SHK-J-20M-01	PA66 UL94V2	Natural	20.0	4.75±0.08	1.57	1	1000
60313	GSHK-22M-66	SHK-J-22M-01	PA66 UL94V2	Natural	22.0	4.75±0.08	1.57	1	1000
60314	GSHK-24M-66	SHK-J-24M-01	PA66 UL94V2	Natural	24.0	4.75±0.08	1.57	1	1000
60856	GSHK-16-66	SHK-16-01	PA66 UL94V2	Natural	25.4	4.75±0.08	1.57	1	1000
60315	GSHK-26M-66	SHK-J-26M-01	PA66 UL94V2	Natural	26.0	4.75±0.08	1.57	1	1000
60316	GSHK-28M-66	SHK-J-28M-01	PA66 UL94V2	Natural	28.0	4.75±0.08	1.57	1	1000
60857	GSHK-20-66	SHK-20-01	PA66 UL94V2	Natural	31.8	4.75±0.08	1.57	1	1000
60548	GSHK-6M-V0	SHK-J-6M-19	PA66 UL94V0	Natural	6.0	4.75±0.08	1.57	1	1000
60549	GSHK-8M-V0	SHK-J-8M-19	PA66 UL94V0	Natural	8.0	4.75±0.08	1.57	1	1000
60858	GSHK-6-V0	SHK-6-19	PA66 UL94V0	Natural	9.5	4.75±0.08	1.57	1	1000
60550	GSHK-10M-V0	SHK-J-10M-19	PA66 UL94V0	Natural	10.0	4.75±0.08	1.57	1	1000
60551	GSHK-12M-V0	SHK-J-12M-19	PA66 UL94V0	Natural	12.0	4.75±0.08	1.57	1	1000
60859	GSHK-8-V0	SHK-8-19	PA66 UL94V0	Natural	12.7	4.75±0.08	1.57	1	1000
60552	GSHK-14M-V0	SHK-J-14M-19	PA66 UL94V0	Natural	14.0	4.75±0.08	1.57	1	1000
60553	GSHK-16M-V0	SHK-J-16M-19	PA66 UL94V0	Natural	16.0	4.75±0.08	1.57	1	1000
60554	GSHK-18M-V0	SHK-J-18M-19	PA66 UL94V0	Natural	18.0	4.75±0.08	1.57	1	1000
60860	GSHK-12-V0	SHK-12-19	PA66 UL94V0	Natural	19.1	4.75±0.08	1.57	1	1000
60555	GSHK-20M-V0	SHK-J-20M-19	PA66 UL94V0	Natural	20.0	4.75±0.08	1.57	1	1000
60556	GSHK-22M-V0	SHK-J-22M-19	PA66 UL94V0	Natural	22.0	4.75±0.08	1.57	1	1000

Material: PA66 UL94V2 (GMS-01); PA66 UL94V0 (GMS-02)



CABLE CLAMPS

Stand-Off Harness Clamp GSHK/GSHK-J1



GSHK

GSHK-J1

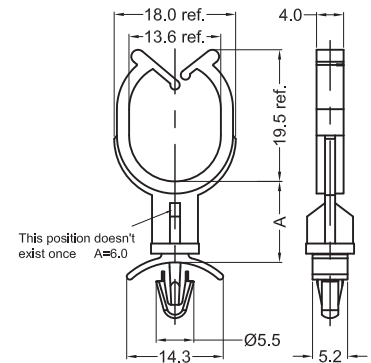
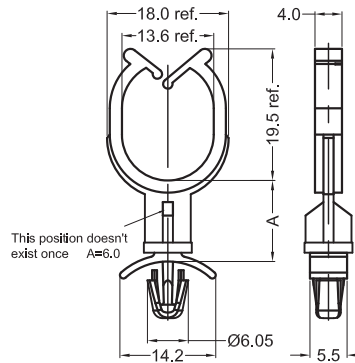


Fig.1

Fig.2

Sizes in mm

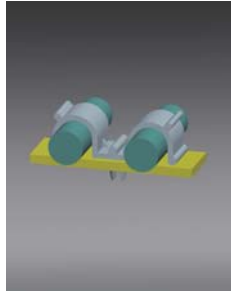
P/N.	Article No.	Cross-Ref.	Material	Color	A	Hole	Panel Thickness	FIG.	Packing Unit
60557	GSHK-24M-V0	SHK-J-24M-19	PA66 UL94V0	Natural	24.0	4.75±0.08	1.57	1	1000
60861	GSHK-16-V0	SHK-16-19	PA66 UL94V0	Natural	25.4	4.75±0.08	1.57	1	1000
60558	GSHK-26M-V0	SHK-J-26M-19	PA66 UL94V0	Natural	26.0	4.75±0.08	1.57	1	1000
60559	GSHK-28M-V0	SHK-J-28M-19	PA66 UL94V0	Natural	28.0	4.75±0.08	1.57	1	1000
60862	GSHK-20-V0	SHK-20-19	PA66 UL94V0	Natural	31.8	4.75±0.08	1.57	1	1000
61108	GSHK-J1-6M-66	SHK-J1-6M-01	PA66 UL94V2	Natural	6.0	4.0±0.08	1.6	2	1000
61109	GSHK-J1-8M-66	SHK-J1-8M-01	PA66 UL94V2	Natural	8.0	4.0±0.08	1.6	2	1000
61110	GSHK-J1-10M-66	SHK-J1-10M-01	PA66 UL94V2	Natural	10.0	4.0±0.08	1.6	2	1000
61111	GSHK-J1-12M-66	SHK-J1-12M-01	PA66 UL94V2	Natural	12.0	4.0±0.08	1.6	2	1000
61112	GSHK-J1-14M-66	SHK-J1-14M-01	PA66 UL94V2	Natural	14.0	4.0±0.08	1.6	2	1000
61113	GSHK-J1-16M-66	SHK-J1-16M-01	PA66 UL94V2	Natural	16.0	4.0±0.08	1.6	2	1000
61114	GSHK-J1-18M-66	SHK-J1-18M-01	PA66 UL94V2	Natural	18.0	4.0±0.08	1.6	2	1000
61115	GSHK-J1-20M-66	SHK-J1-20M-01	PA66 UL94V2	Natural	20.0	4.0±0.08	1.6	2	1000
61116	GSHK-J1-22M-66	SHK-J1-22M-01	PA66 UL94V2	Natural	22.0	4.0±0.08	1.6	2	1000
61117	GSHK-J1-24M-66	SHK-J1-24M-01	PA66 UL94V2	Natural	24.0	4.0±0.08	1.6	2	1000
61118	GSHK-J1-26M-66	SHK-J1-26M-01	PA66 UL94V2	Natural	26.0	4.0±0.08	1.6	2	1000
61119	GSHK-J1-28M-66	SHK-J1-28M-01	PA66 UL94V2	Natural	28.0	4.0±0.08	1.6	2	1000
61120	GSHK-J1-6M-V0	SHK-J1-28M-19	PA66 UL94V0	Natural	6.0	4.0±0.08	1.6	2	1000
61121	GSHK-J1-8M-V0	SHK-J1-28M-19	PA66 UL94V0	Natural	8.0	4.0±0.08	1.6	2	1000
61122	GSHK-J1-10M-V0	SHK-J1-28M-19	PA66 UL94V0	Natural	10.0	4.0±0.08	1.6	2	1000
61123	GSHK-J1-12M-V0	SHK-J1-28M-19	PA66 UL94V0	Natural	12.0	4.0±0.08	1.6	2	1000
61124	GSHK-J1-14M-V0	SHK-J1-28M-19	PA66 UL94V0	Natural	14.0	4.0±0.08	1.6	2	1000
61125	GSHK-J1-16M-V0	SHK-J1-28M-19	PA66 UL94V0	Natural	16.0	4.0±0.08	1.6	2	1000
61126	GSHK-J1-18M-V0	SHK-J1-28M-19	PA66 UL94V0	Natural	18.0	4.0±0.08	1.6	2	1000
61127	GSHK-J1-20M-V0	SHK-J1-28M-19	PA66 UL94V0	Natural	20.0	4.0±0.08	1.6	2	1000
61128	GSHK-J1-22M-V0	SHK-J1-28M-19	PA66 UL94V0	Natural	22.0	4.0±0.08	1.6	2	1000
61129	GSHK-J1-24M-V0	SHK-J1-28M-19	PA66 UL94V0	Natural	24.0	4.0±0.08	1.6	2	1000
61130	GSHK-J1-26M-V0	SHK-J1-28M-19	PA66 UL94V0	Natural	26.0	4.0±0.08	1.6	2	1000
61131	GSHK-J1-28M-V0	SHK-J1-28M-19	PA66 UL94V0	Natural	28.0	4.0±0.08	1.6	2	1000

Material: PA66 UL94V2 (GMS-01); PA66 UL94V0 (GMS-02)

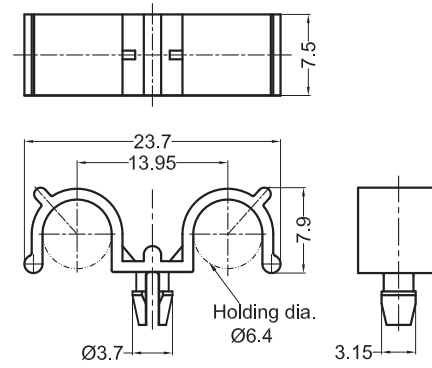


CABLE CLAMPS

Plug-In Cable Clamp GDHURC



GDHURC

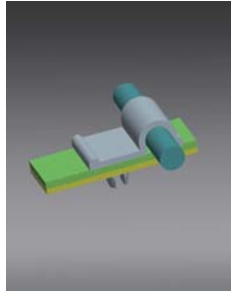


Sizes in mm

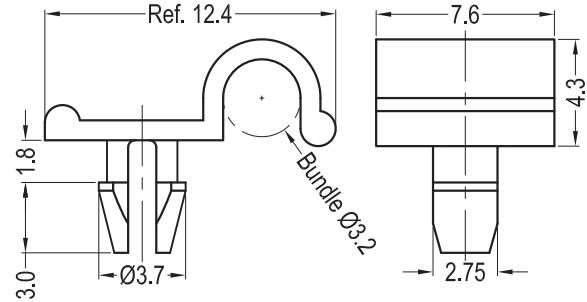
P/N.	Article No.	Cross-Ref.	Material	Color	Hole	Panel Thickness	Packing Unit
60487	GDHURC401	DHURC-4-01	PA66 UL94V2	Natural	3.18±0.05	1.6	1000

Material: PA66 UL94V2 (GMS-01)

Plug-In Cable Clamp GHURC



GHURC

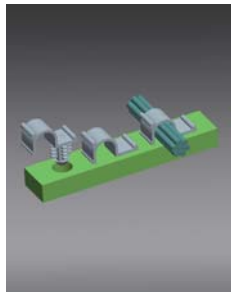


Sizes in mm

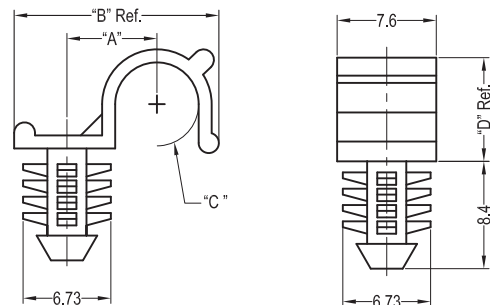
P/N.	Article No.	Cross-Ref.	Material	Color	Hole	Panel Thickness	Packing Unit
61061	GHURC-2-01	HURC-2-01	PA66 UL94V2	Natural	3.18±0.05	1.6	1000
61075	GHURC-2-19	HURC-2-19	PA66 UL94V0	Natural	3.18±0.05	1.6	1000

Material: PA66 UL94V2 (GMS-01); PA66 UL94V0 (GMS-02)

Cable Clamp, Half-U, Fir Tree Mount GHURCBH



GHURCBH



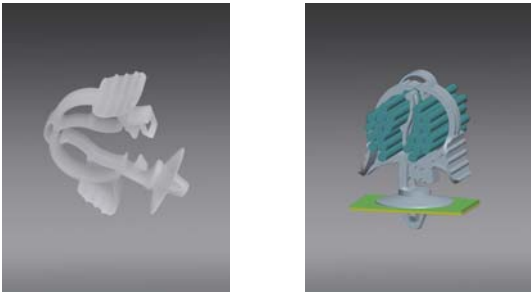
Sizes in mm

P/N.	Article No.	Cross-Ref.	Material	Color	A	B	C	D	Hole	Panel Thickness	Packing Unit
61213	GHURCBH-2-01	HURCBH-2-01	PA66 UL94V2	Natural	5.1	12.4	3.2	4.3	6.35±0.08	6.35 Min.	1000
61214	GHURCBH-3-01	HURCBH-3-01	PA66 UL94V2	Natural	6.1	14.2	4.8	6.1	6.35±0.08	6.35 Min.	1000
61215	GHURCBH-4-01	HURCBH-4-01	PA66 UL94V2	Natural	6.9	15.7	6.4	7.6	6.35±0.08	6.35 Min.	1000
61216	GHURCBH-2-19	HURCBH-2-19	PA66 UL94V0	Natural	5.1	12.4	3.2	4.3	6.35±0.08	6.35 Min.	1000
61217	GHURCBH-3-19	HURCBH-3-19	PA66 UL94V0	Natural	6.1	14.2	4.8	6.1	6.35±0.08	6.35 Min.	1000
61218	GHURCBH-4-19	HURCBH-4-19	PA66 UL94V0	Natural	6.9	15.7	6.4	7.6	6.35±0.08	6.35 Min.	1000

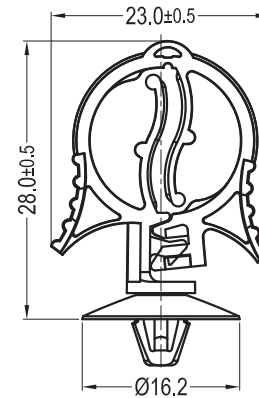
Material: PA66 UL94V2 (GMS-01); PA66 UL94V0 (GMS-49)

CABLE CLAMPS

Webbed Centring Clip GWCC1



GWCC1

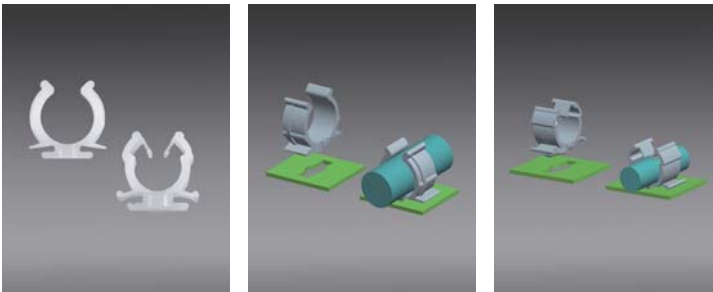


Sizes in mm

P/N.	Article No.	Cross-Ref.	Material	Color	Hole	Panel Thickness	Packing Unit
61063	GWCC1-1-01	WCC1-1-01	PA66 UL94V2	Natural	4.4-4.8	0.5-1.5	500
61077	GWCC1-1-19	WCC1-1-19	PA66 UL94V0	Natural	4.4-4.8	0.5-1.5	500

Material: PA66 UL94V2 (GMS-01); PA66 UL94V0 (GMS-02)

Cable Clamp with Quarter Turn GH-62/-63



GH-62

GH-63

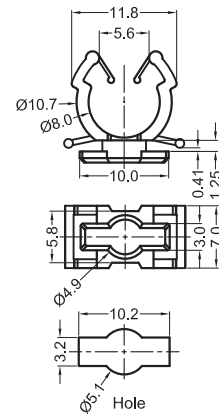
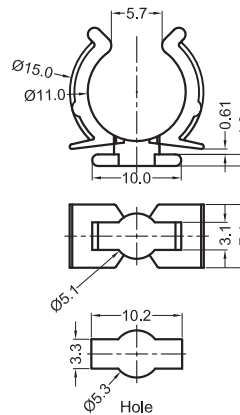


Fig.1

Fig.2

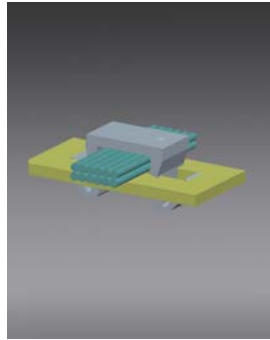
Sizes in mm

P/N.	Article No.	Material	Color	Panel Thickness	FIG.	Packing Unit
60012	GH-62	PA6 UL94V2	Natural	0.8-1.1	1	1000
60013	GH-63	PA6 UL94V2	Natural	0.5-1.0	2	1000

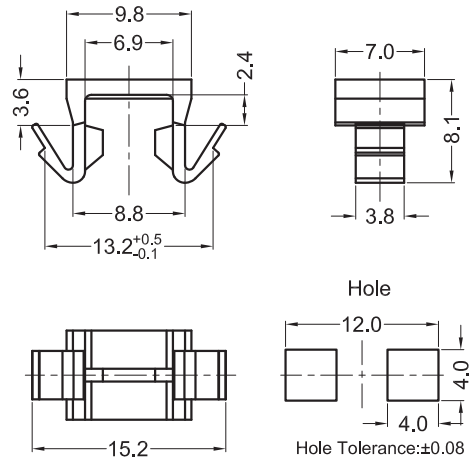
Material: PA6 UL94V2 (GMS-10)

CABLE CLAMPS

Flat Cable Clamp GFCCE



GFCCE

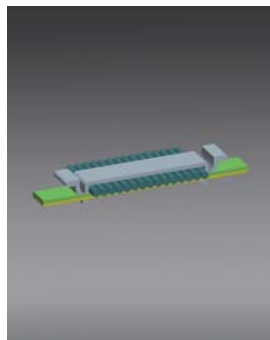


Sizes in mm

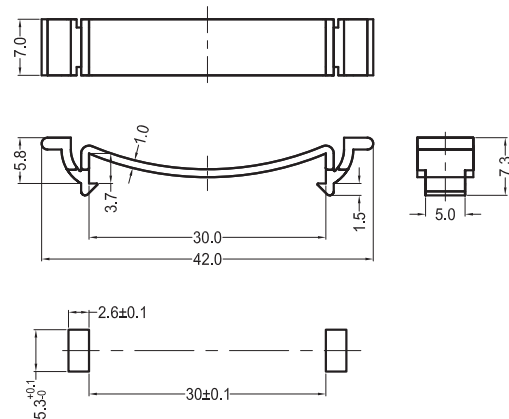
P/N.	Article No.	Cross-Ref.	Material	Color	Panel Thickness	Packing Unit
60791	GFCCE-9-01	FCCE-9-01	PA66 UL94V2	Natural	1.0-1.2	1000

Material: PA66 UL94V2 (GMS-01)

Flat Cable Clamp GFCCS



GFCCS



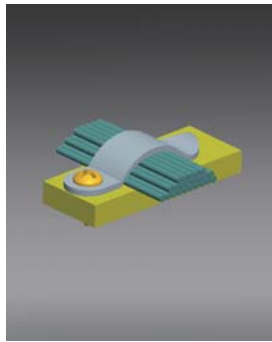
Sizes in mm

P/N.	Article No.	Cross-Ref.	Material	Color	Panel Thickness	Packing Unit
61058	GFCCS-2-66	FCCS-2-01	PA66 UL94V2	Natural	0.8-1.6	1000
61059	GFCCS-2-66B	FCCS-2-01BK	PA66 UL94V2	Black	0.8-1.6	1000
61056	GFCCS-2-V0	FCCS-2	PA66 UL94V0	Natural	0.8-1.6	1000
61057	GFCCS-2-BV0	FCCS-2BK	PA66 UL94V0	Black	0.8-1.6	1000

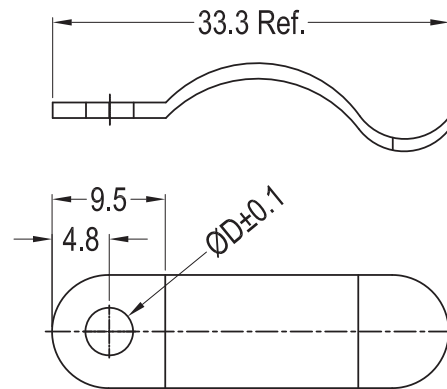
Material: PA66 UL94V2 (GMS-01); PA66 UL94V0 (GMS-02)

CABLE CLAMPS

Tension Clamp GTC-30



GTC-30



Sizes in mm

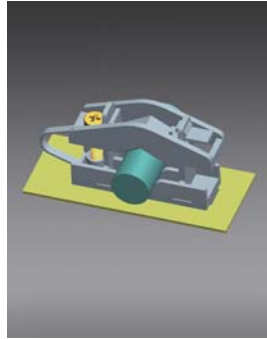
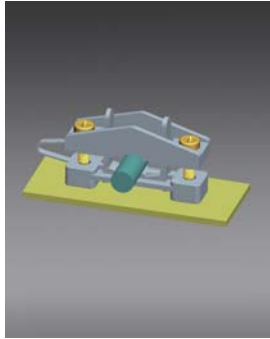
P/N.	Article No.	Cross-Ref.	Material	Color	D	Packing Unit
60922	GTC-30-1-01	TC-30-1-01	PA66 UL94V2	Natural	3.9	1000
60947	GTC-30-1-19	-	PA66 UL94V0	Natural	3.9	1000
60997	GTC-30-1-14	TC-30-1	POM UL94HB	Natural	3.9	1000
61004	GTC-30-2-01	-	PA66 UL94V2	Natural	4.1	1000
61005	GTC-30-2-19	-	PA66 UL94V0	Natural	4.1	1000
61006	GTC-30-2-14	-	POM UL94HB	Natural	4.1	1000

Material: PA66 UL94V2 (GMS-01); PA66 UL94V0 (GMS-02); POM UL94HB (GMS-16)

D

CABLE CLAMPS

Cable Clamps - Hinged Locking GHMCC-1/-4



GHMCC-1

GHMCC-4

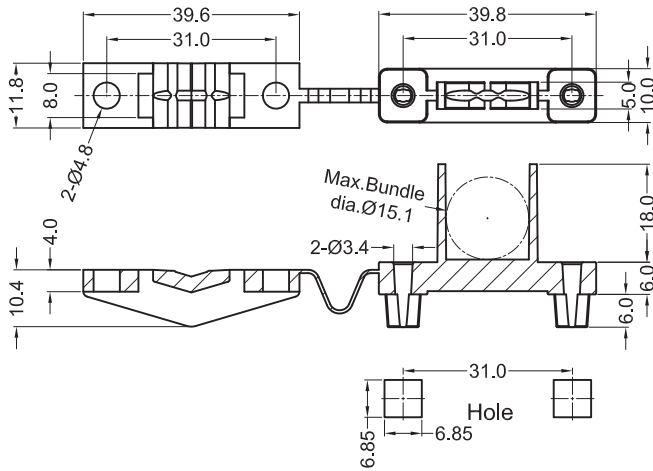


Fig.1

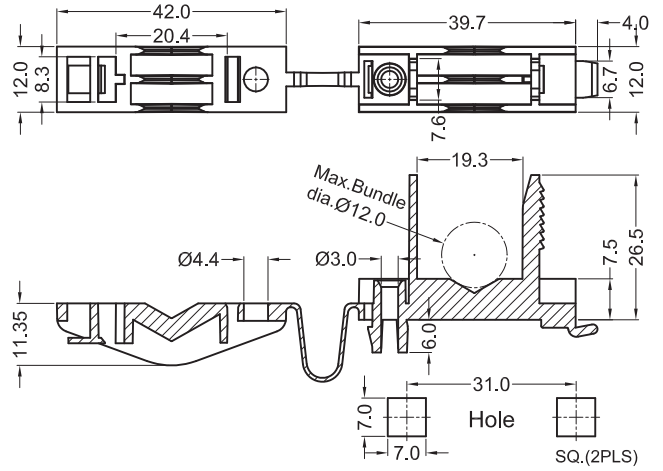


Fig.2

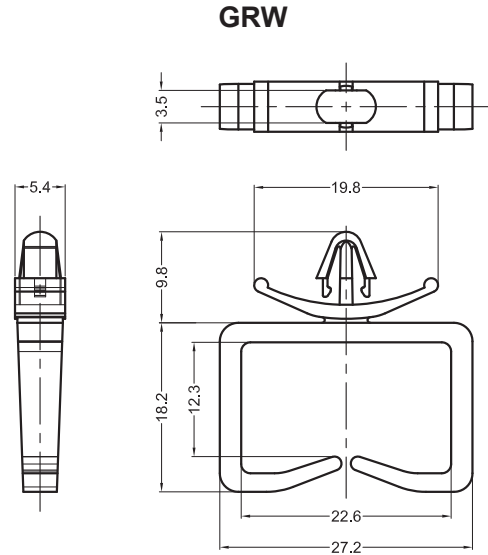
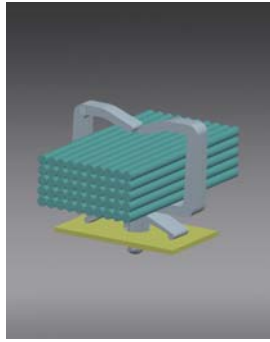
Sizes in mm

<u>P/N.</u>	<u>Article No.</u>	<u>Cross-Ref.</u>	<u>Material</u>	<u>Color</u>	<u>Panel Thickness</u>	<u>FIG.</u>	<u>Packing Unit</u>
60776	GHMCC-1-01	HMCC-1-01	PA66 UL94V2	Natural	0.6-1.5	1	200
60782	GHMCC-1-19	HMCC-1-19	PA66 UL94V0	Natural	0.6-1.5	1	200
60777	GHMCC-4-01	HMCC-4-01	PA66 UL94V2	Natural	0.8-1.2	2	100
60784	GHMCC-4-19	HMCC-4-19	PA66 UL94V0	Natural	0.8-1.2	2	100

Material: PA66 UL94V2 (GMS-01); PA66 UL94V0 (GMS-02)

WIRE SADDLES

Wire Saddle, Arrowhead, Push-In, Non-Locking GRW

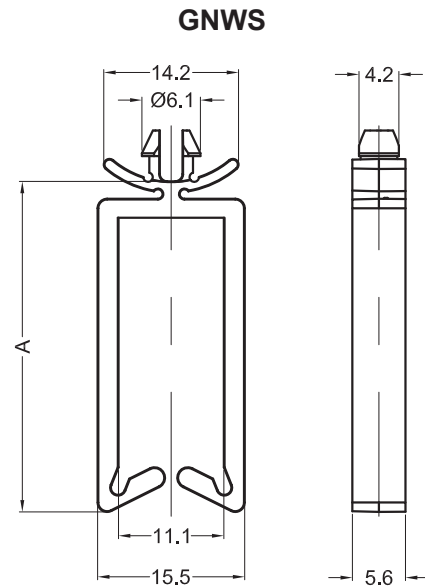
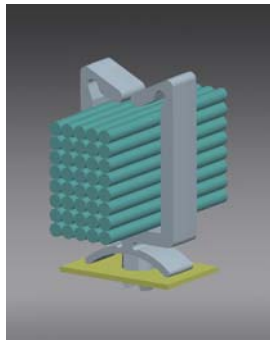


Sizes in mm

P/N.	Article No.	Material	Color	Hole	Panel Thickness	Packing Unit
60356	GRW-NN-SG-039BWS2	PA66 UL94V2	Natural	4.8±0.08	0.6-2.3	1000

Material: PA66 UL94V2 (GMS-01)

Wire Saddle, Arrowhead, Push-In, Non-Locking GNWS



Sizes in mm

P/N.	Article No.	Cross-Ref.	Material	Color	A	Hole	Panel Thickness	Packing Unit
60115	GNWS-1-66	WS-1-01	PA66 UL94V2	Natural	13.0	4.75±0.08	1.6	1000
60116	GNWS-2-66	WS-2-01	PA66 UL94V2	Natural	18.0	4.75±0.08	1.6	1000
60117	GNWS-3-66	WS-3-01	PA66 UL94V2	Natural	26.9	4.75±0.08	1.6	1000
60118	GNWS-4-66	WS-4-01	PA66 UL94V2	Natural	34.8	4.75±0.08	1.6	1000
60494	GNWS-1-V0	WS-1-19	PA66 UL94V0	Natural	13.0	4.75±0.08	1.6	1000
60495	GNWS-2-V0	WS-2-19	PA66 UL94V0	Natural	18.0	4.75±0.08	1.6	1000
60496	GNWS-3-V0	WS-3-19	PA66 UL94V0	Natural	26.9	4.75±0.08	1.6	1000
60497	GNWS-4-V0	WS-4-19	PA66 UL94V0	Natural	34.8	4.75±0.08	1.6	1000

Material: PA66 UL94V2 (GMS-01); PA66 UL94V0 (GMS-02)



WIRE SADDLES

Wire Saddle, Arrowhead, Push-In, Non-Locking GNWS-A1/-A2

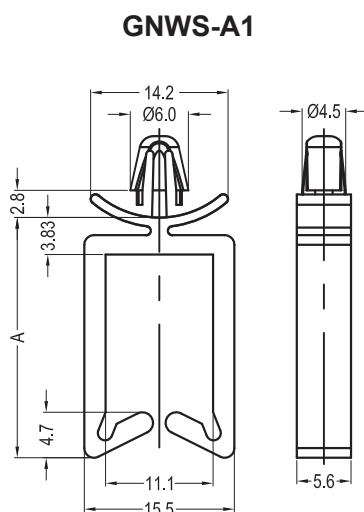
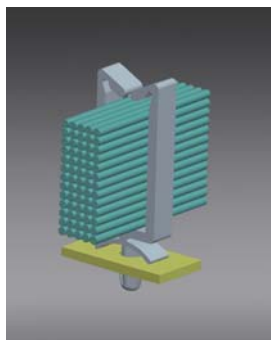


Fig.1

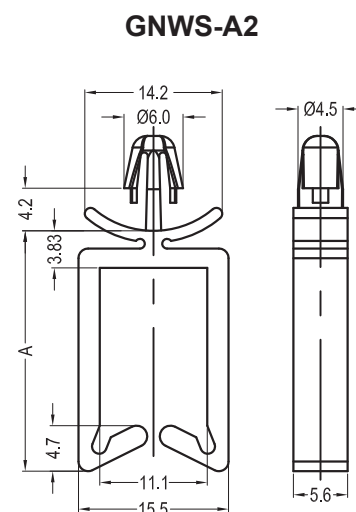


Fig.2

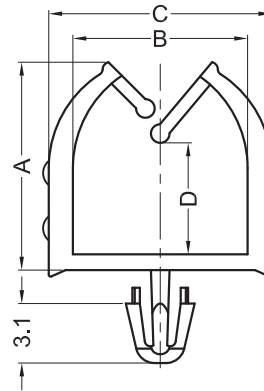
Sizes in mm

P/N.	Article No.	Cross-Ref.	Material	Color	A	Hole	Panel Thickness	FIG.	Packing Unit
60119	GNWS-A1-1-66	WS-A-1-01	PA66 UL94V2	Natural	13.0	4.75±0.08	1.6	1	1000
60120	GNWS-A1-2-66	WS-A-2-01	PA66 UL94V2	Natural	18.0	4.75±0.08	1.6	1	1000
60122	GNWS-A1-3-66	WS-A-3-01	PA66 UL94V2	Natural	26.9	4.75±0.08	1.6	1	1000
60124	GNWS-A1-4-66	WS-A-4-01	PA66 UL94V2	Natural	34.8	4.75±0.08	1.6	1	1000
60680	GNWS-A1-1-66B	WS-A-1-01BK	PA66 UL94V2	Black	13.0	4.75±0.08	1.6	1	1000
60681	GNWS-A1-2-66B	WS-A-2-01BK	PA66 UL94V2	Black	18.0	4.75±0.08	1.6	1	1000
60682	GNWS-A1-3-66B	WS-A-3-01BK	PA66 UL94V2	Black	26.9	4.75±0.08	1.6	1	1000
60683	GNWS-A1-4-66B	WS-A-4-01BK	PA66 UL94V2	Black	34.8	4.75±0.08	1.6	1	1000
60143	GNWS-A1-1-V0	WS-A-1-19	PA66 UL94V0	Natural	13.0	4.75±0.08	1.6	1	1000
60589	GNWS-A1-2-V0	WS-A-2-19	PA66 UL94V0	Natural	18.0	4.75±0.08	1.6	1	1000
60590	GNWS-A1-3-V0	WS-A-3-19	PA66 UL94V0	Natural	26.9	4.75±0.08	1.6	1	1000
60125	GNWS-A1-4-V0	WS-A-4-19	PA66 UL94V0	Natural	34.8	4.75±0.08	1.6	1	1000
60126	GNWS-A2-1-66	WS-A-2-1-01	PA66 UL94V2	Natural	13.0	4.75±0.08	3.2	2	1000
60127	GNWS-A2-2-66	WS-A-2-2-01	PA66 UL94V2	Natural	18.0	4.75±0.08	3.2	2	1000
60128	GNWS-A2-3-66	WS-A-2-3-01	PA66 UL94V2	Natural	26.9	4.75±0.08	3.2	2	1000
60129	GNWS-A2-4-66	WS-A-2-4-01	PA66 UL94V2	Natural	34.8	4.75±0.08	3.2	2	1000
60684	GNWS-A2-1-66B	WS-A-2-1-01BK	PA66 UL94V2	Black	13.0	4.75±0.08	3.2	2	1000
60685	GNWS-A2-2-66B	WS-A-2-2-01BK	PA66 UL94V2	Black	18.0	4.75±0.08	3.2	2	1000
60686	GNWS-A2-3-66B	WS-A-2-3-01BK	PA66 UL94V2	Black	26.9	4.75±0.08	3.2	2	1000
60687	GNWS-A2-4-66B	WS-A-2-4-01BK	PA66 UL94V2	Black	34.8	4.75±0.08	3.2	2	1000
60625	GNWS-A2-1-V0	WS-A-2-1-19	PA66 UL94V0	Natural	13.0	4.75±0.08	3.2	2	1000
60626	GNWS-A2-2-V0	WS-A-2-2-19	PA66 UL94V0	Natural	18.0	4.75±0.08	3.2	2	1000
60627	GNWS-A2-3-V0	WS-A-2-3-19	PA66 UL94V0	Natural	26.9	4.75±0.08	3.2	2	1000
60628	GNWS-A2-4-V0	WS-A-2-4-19	PA66 UL94V0	Natural	34.8	4.75±0.08	3.2	2	1000

Material: PA66 UL94V2 (GMS-01); PA66 UL94V0 (GMS-02)

WIRE SADDLES

Micro Wire Saddle, Locking GMWS-A1/-A11



Sizes in mm

P/N.	Article No.	Cross-Ref.	Material	Color	A	B	C	D	Hole	Panel Thickness	Packing Unit
60083	GMWS-A1-1-66	MWSEA1-1-01	PA66 UL94V2	Natural	7.3	6.7	9.1	3.0	3.0±0.05	1.6	1000
60084	GMWS-A1-2-66	MWSEA1-2-01	PA66 UL94V2	Natural	9.1	8.2	10.8	3.9	3.0±0.05	1.6	1000
60091	GMWS-A1-3-66	MWSEA1-3-01	PA66 UL94V2	Natural	11.2	9.4	12.0	6.0	3.0±0.05	1.6	1000
60092	GMWS-A1-4-66	MWSEA1-4-01	PA66 UL94V2	Natural	13.0	9.4	12.0	7.7	3.0±0.05	1.6	1000
61007	GMWS-A1-1-66B	MWSEA1-1-01BK	PA66 UL94V2	Black	7.3	6.7	9.1	3.0	3.0±0.05	1.6	1000
61008	GMWS-A1-2-66B	MWSEA1-2-01BK	PA66 UL94V2	Black	9.1	8.2	10.8	3.9	3.0±0.05	1.6	1000
61009	GMWS-A1-3-66B	MWSEA1-3-01BK	PA66 UL94V2	Black	11.2	9.4	12.0	6.0	3.0±0.05	1.6	1000
61010	GMWS-A1-4-66B	MWSEA1-4-01BK	PA66 UL94V2	Black	13.0	9.4	12.0	7.7	3.0±0.05	1.6	1000
60099	GMWS-A1-1-V0	MWSEA1-1-19	PA66 UL94V0	Natural	7.3	6.7	9.1	3.0	3.0±0.05	1.6	1000
60100	GMWS-A1-2-V0	MWSEA1-2-19	PA66 UL94V0	Natural	9.1	8.2	10.8	3.9	3.0±0.05	1.6	1000
60107	GMWS-A1-3-V0	MWSEA1-3-19	PA66 UL94V0	Natural	11.2	9.4	12.0	6.0	3.0±0.05	1.6	1000
60108	GMWS-A1-4-V0	MWSEA1-4-19	PA66 UL94V0	Natural	13.0	9.4	12.0	7.7	3.0±0.05	1.6	1000
60728	GMWS-A1-1-BV0	MWSEA1-1-19BK	PA66 UL94V0	Black	7.3	6.7	9.1	3.0	3.0±0.05	1.6	1000
60729	GMWS-A1-2-BV0	MWSEA1-2-19BK	PA66 UL94V0	Black	9.1	8.2	10.8	3.9	3.0±0.05	1.6	1000
60736	GMWS-A1-3-BV0	MWSEA1-3-19BK	PA66 UL94V0	Black	11.2	9.4	12.0	6.0	3.0±0.05	1.6	1000
60737	GMWS-A1-4-BV0	MWSEA1-4-19BK	PA66 UL94V0	Black	13.0	9.4	12.0	7.7	3.0±0.05	1.6	1000
60085	GMWS-A11-1-66	MWSEA1-1-1-01	PA66 UL94V2	Natural	7.3	6.7	9.1	3.0	3.0±0.05	2.4	1000
60086	GMWS-A11-2-66	MWSEA1-1-2-01	PA66 UL94V2	Natural	9.1	8.2	10.8	3.9	3.0±0.05	2.4	1000
60093	GMWS-A11-3-66	MWSEA1-1-3-01	PA66 UL94V2	Natural	11.2	9.4	12.0	6.0	3.0±0.05	2.4	1000
60094	GMWS-A11-4-66	MWSEA1-1-4-01	PA66 UL94V2	Natural	13.0	9.4	12.0	7.7	3.0±0.05	2.4	1000
61011	GMWS-A11-1-66B	MWSEA1-1-1-01BK	PA66 UL94V2	Black	7.3	6.7	9.1	3.0	3.0±0.05	2.4	1000
61012	GMWS-A11-2-66B	MWSEA1-1-2-01BK	PA66 UL94V2	Black	9.1	8.2	10.8	3.9	3.0±0.05	2.4	1000
61013	GMWS-A11-3-66B	MWSEA1-1-3-01BK	PA66 UL94V2	Black	11.2	9.4	12.0	6.0	3.0±0.05	2.4	1000
61014	GMWS-A11-4-66B	MWSEA1-1-4-01BK	PA66 UL94V2	Black	13.0	9.4	12.0	7.7	3.0±0.05	2.4	1000
60101	GMWS-A11-1-V0	MWSEA1-1-1-19	PA66 UL94V0	Natural	7.3	6.7	9.1	3.0	3.0±0.05	2.4	1000
60102	GMWS-A11-2-V0	MWSEA1-1-2-19	PA66 UL94V0	Natural	9.1	8.2	10.8	3.9	3.0±0.05	2.4	1000
60109	GMWS-A11-3-V0	MWSEA1-1-3-19	PA66 UL94V0	Natural	11.2	9.4	12.0	6.0	3.0±0.05	2.4	1000
60110	GMWS-A11-4-V0	MWSEA1-1-4-19	PA66 UL94V0	Natural	13.0	9.4	12.0	7.7	3.0±0.05	2.4	1000
60730	GMWS-A11-1-BV0	MWSEA1-1-1-19BK	PA66 UL94V0	Black	7.3	6.7	9.1	3.0	3.0±0.05	2.4	1000
60731	GMWS-A11-2-BV0	MWSEA1-1-2-19BK	PA66 UL94V0	Black	9.1	8.2	10.8	3.9	3.0±0.05	2.4	1000
60738	GMWS-A11-3-BV0	MWSEA1-1-3-19BK	PA66 UL94V0	Black	11.2	9.4	12.0	6.0	3.0±0.05	2.4	1000
60739	GMWS-A11-4-BV0	MWSEA1-1-4-19BK	PA66 UL94V0	Black	13.0	9.4	12.0	7.7	3.0±0.05	2.4	1000

Material: PA66 UL94V2 (GMS-01); PA66 UL94V0 (GMS-02)



sales@sucatec.com



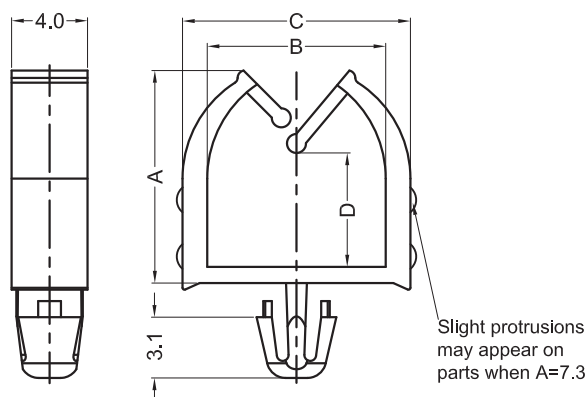
www.sucatec.com

WIRE SADDLES

Micro Wire Saddle, Locking GMWS-A2/-A21



GMWS-A2/-A21



Sizes in mm

P/N.	Article No.	Cross-Ref.	Material	Color	A	B	C	D	Hole	Panel Thickness	Packing Unit
60087	GMWS-A2-1-66	MWSEA2-1-01	PA66 UL94V2	Natural	7.3	6.7	9.1	3.0	3.5±0.05	1.6	1000
60088	GMWS-A2-2-66	MWSEA2-2-01	PA66 UL94V2	Natural	9.1	8.2	10.8	3.9	3.5±0.05	1.6	1000
60095	GMWS-A2-3-66	MWSEA2-3-01	PA66 UL94V2	Natural	11.2	9.4	12.0	6.0	3.5±0.05	1.6	1000
60096	GMWS-A2-4-66	MWSEA2-4-01	PA66 UL94V2	Natural	13.0	9.4	12.0	7.7	3.5±0.05	1.6	1000
61015	GMWS-A2-1-66B	MWSEA2-1-01BK	PA66 UL94V2	Black	7.3	6.7	9.1	3.0	3.5±0.05	1.6	1000
61016	GMWS-A2-2-66B	MWSEA2-2-01BK	PA66 UL94V2	Black	9.1	8.2	10.8	3.9	3.5±0.05	1.6	1000
61017	GMWS-A2-3-66B	MWSEA2-3-01BK	PA66 UL94V2	Black	11.2	9.4	12.0	6.0	3.5±0.05	1.6	1000
61018	GMWS-A2-4-66B	MWSEA2-4-01BK	PA66 UL94V2	Black	13.0	9.4	12.0	7.7	3.5±0.05	1.6	1000
60103	GMWS-A2-1-V0	MWSEA2-1-19	PA66 UL94V0	Natural	7.3	6.7	9.1	3.0	3.5±0.05	1.6	1000
60104	GMWS-A2-2-V0	MWSEA2-2-19	PA66 UL94V0	Natural	9.1	8.2	10.8	3.9	3.5±0.05	1.6	1000
60111	GMWS-A2-3-V0	MWSEA2-3-19	PA66 UL94V0	Natural	11.2	9.4	12.0	6.0	3.5±0.05	1.6	1000
60112	GMWS-A2-4-V0	MWSEA2-4-19	PA66 UL94V0	Natural	13.0	9.4	12.0	7.7	3.5±0.05	1.6	1000
60732	GMWS-A2-1-BV0	MWSEA2-1-19BK	PA66 UL94V0	Black	7.3	6.7	9.1	3.0	3.5±0.05	1.6	1000
60733	GMWS-A2-2-BV0	MWSEA2-2-19BK	PA66 UL94V0	Black	9.1	8.2	10.8	3.9	3.5±0.05	1.6	1000
60740	GMWS-A2-3-BV0	MWSEA2-3-19BK	PA66 UL94V0	Black	11.2	9.4	12.0	6.0	3.5±0.05	1.6	1000
60741	GMWS-A2-4-BV0	MWSEA2-4-19BK	PA66 UL94V0	Black	13.0	9.4	12.0	7.7	3.5±0.05	1.6	1000
60089	GMWS-A21-1-66	MWSEA2-1-1-01	PA66 UL94V2	Natural	7.3	6.7	9.1	3.0	3.5±0.05	2.4	1000
60090	GMWS-A21-2-66	MWSEA2-1-2-01	PA66 UL94V2	Natural	9.1	8.2	10.8	3.9	3.5±0.05	2.4	1000
60097	GMWS-A21-3-66	MWSEA2-1-3-01	PA66 UL94V2	Natural	11.2	9.4	12.0	6.0	3.5±0.05	2.4	1000
60098	GMWS-A21-4-66	MWSEA2-1-4-01	PA66 UL94V2	Natural	13.0	9.4	12.0	7.7	3.5±0.05	2.4	1000
61019	GMWS-A21-1-66B	MWSEA2-1-1-01BK	PA66 UL94V2	Black	7.3	6.7	9.1	3.0	3.5±0.05	2.4	1000
61020	GMWS-A21-2-66B	MWSEA2-1-2-01BK	PA66 UL94V2	Black	9.1	8.2	10.8	3.9	3.5±0.05	2.4	1000
61021	GMWS-A21-3-66B	MWSEA2-1-3-01BK	PA66 UL94V2	Black	11.2	9.4	12.0	6.0	3.5±0.05	2.4	1000
61022	GMWS-A21-4-66B	MWSEA2-1-4-01BK	PA66 UL94V2	Black	13.0	9.4	12.0	7.7	3.5±0.05	2.4	1000
60105	GMWS-A21-1-V0	MWSEA2-1-1-19	PA66 UL94V0	Natural	7.3	6.7	9.1	3.0	3.5±0.05	2.4	1000
60106	GMWS-A21-2-V0	MWSEA2-1-2-19	PA66 UL94V0	Natural	9.1	8.2	10.8	3.9	3.5±0.05	2.4	1000
60113	GMWS-A21-3-V0	MWSEA2-1-3-19	PA66 UL94V0	Natural	11.2	9.4	12.0	6.0	3.5±0.05	2.4	1000
60114	GMWS-A21-4-V0	MWSEA2-1-4-19	PA66 UL94V0	Natural	13.0	9.4	12.0	7.7	3.5±0.05	2.4	1000
60734	GMWS-A21-1-BV0	MWSEA2-1-1-19BK	PA66 UL94V0	Black	7.3	6.7	9.1	3.0	3.5±0.05	2.4	1000
60735	GMWS-A21-2-BV0	MWSEA2-1-2-19BK	PA66 UL94V0	Black	9.1	8.2	10.8	3.9	3.5±0.05	2.4	1000
60742	GMWS-A21-3-BV0	MWSEA2-1-3-19BK	PA66 UL94V0	Black	11.2	9.4	12.0	6.0	3.5±0.05	2.4	1000
60743	GMWS-A21-4-BV0	MWSEA2-1-4-19BK	PA66 UL94V0	Black	13.0	9.4	12.0	7.7	3.5±0.05	2.4	1000

Material: PA66 UL94V2 (GMS-01); PA66 UL94V0 (GMS-02)

WIRE SADDLES

Micro Wire Saddle, Locking GMWSET1, GMWSET2

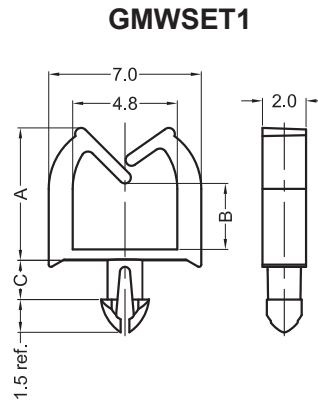
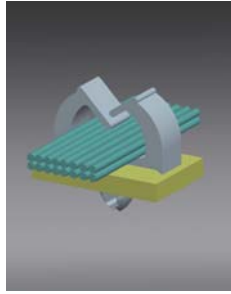


Fig.1

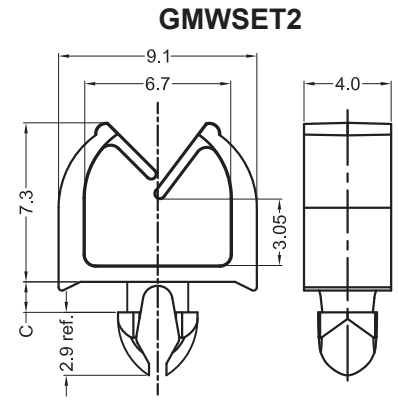


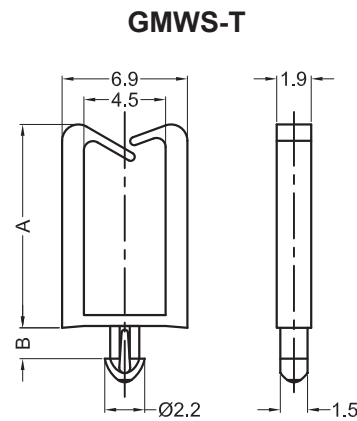
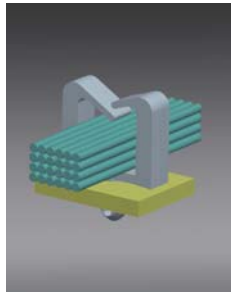
Fig.2

Sizes in mm

P/N.	Article No.	Cross-Ref.	Material	Color	A	B	C	Hole	Panel Thickness	FIG.	Packing Unit
60607	GMWSET1-1-01	MWSET1-1-01	PA66 UL94V2	Natural	4.0	1.2	1.8	1.7±0.08	1.6	1	1000
61205	GMWSET1-2-01	MWSET1-2-01	PA66 UL94V2	Natural	6.0	3.0	1.8	1.7±0.08	1.6	1	1000
61209	GMWSET1-1-1-01	MWSET1-1-1-01	PA66 UL94V2	Natural	4.0	1.2	2.6	1.7±0.08	2.4	1	1000
61207	GMWSET1-2-1-01	MWSET1-2-1-01	PA66 UL94V2	Natural	6.0	3.0	2.6	1.7±0.08	2.4	1	1000
60720	GMWSET1-2-19	MWSET1-1-19	PA66 UL94V0	Natural	4.0	1.2	1.8	1.7±0.08	1.6	1	1000
61206	GMWSET1-2-19	MWSET1-2-19	PA66 UL94V0	Natural	6.0	3.0	1.8	1.7±0.08	1.6	1	1000
61210	GMWSET1-1-1-19	MWSET1-1-1-19	PA66 UL94V0	Natural	4.0	1.2	2.6	1.7±0.08	2.4	1	1000
61208	GMWSET1-2-1-19	MWSET1-2-1-19	PA66 UL94V0	Natural	6.0	3.0	2.6	1.7±0.08	2.4	1	1000
61311	GMWSET2-1-01	MWSET2-1-01	PA66 UL94V2	Natural	-	-	1.4	3.0±0.05	1.0-1.2	2	1000
61312	GMWSET2-2-01	MWSET2-2-01	PA66 UL94V2	Natural	-	-	1.9	3.0±0.05	1.2-1.6	2	1000
61344	GMWSET2-3-01	MWSET2-3-01	PA66 UL94V2	Natural	-	-	2.15	3.0±0.05	1.4-1.8	2	1000
61345	GMWSET2-4-01	MWSET2-4-01	PA66 UL94V2	Natural	-	-	2.9	3.0±0.05	2.2-2.6	2	1000
61313	GMWSET2-1-19	MWSET2-1-19	PA66 UL94V0	Natural	-	-	1.4	3.0±0.05	1.0-1.2	2	1000
61314	GMWSET2-2-19	MWSET2-2-19	PA66 UL94V0	Natural	-	-	1.9	3.0±0.05	1.2-1.6	2	1000
61346	GMWSET2-3-19	MWSET2-3-19	PA66 UL94V0	Natural	-	-	2.15	3.0±0.05	1.4-1.8	2	1000
61347	GMWSET2-4-19	MWSET2-4-19	PA66 UL94V0	Natural	-	-	2.9	3.0±0.05	2.2-2.6	2	1000

Material: PA66 UL94V2 (GMS-01); PA66 UL94V0 (GMS-02)

Micro Wire Saddle, Locking GMWS-T



Sizes in mm

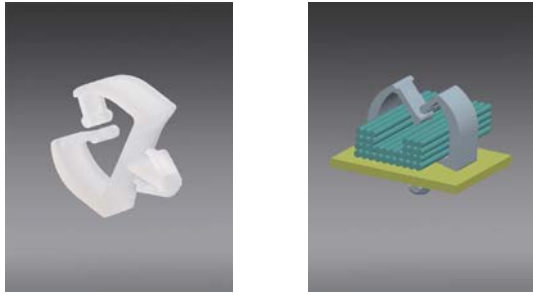
P/N.	Article No.	Cross-Ref.	Material	Color	A	B	Hole	Panel Thickness	Packing Unit
60075	GMWS-T-1-66	MWS-1-01	PA66 UL94V2	Natural	5.8	1.7	1.75±0.05	1.57	1000
60076	GMWS-T-2-66	MWS-2-01	PA66 UL94V2	Natural	11.2	1.7	1.75±0.05	1.6	1000
60077	GMWS-T-3-66	MWS-3-01	PA66 UL94V2	Natural	11.2	2.3	1.75±0.05	2.2	1000
60078	GMWS-T2-1-66	MWS1-1-01	PA66 UL94V2	Natural	5.8	2.45	1.75±0.05	2.36	1000
60079	GMWS-T-1-V0	MWS-1-19	PA66 UL94V0	Natural	5.8	1.7	1.75±0.05	1.57	1000
60080	GMWS-T-2-V0	MWS-2-19	PA66 UL94V0	Natural	11.2	1.7	1.75±0.05	1.6	1000
60081	GMWS-T-3-V0	MWS-3-19	PA66 UL94V0	Natural	11.2	2.3	1.75±0.05	2.2	1000
60082	GMWS-T2-1-V0	MWS1-1-19	PA66 UL94V0	Natural	5.8	2.45	1.75±0.05	2.36	1000
60724	GMWS-T-1-BV0	MWS-1-19BK	PA66 UL94V0	Black	5.8	1.7	1.75±0.05	1.57	1000
60725	GMWS-T-2-BV0	MWS-2-19BK	PA66 UL94V0	Black	11.2	1.7	1.75±0.05	1.6	1000
60726	GMWS-T-3-BV0	MWS-3-19BK	PA66 UL94V0	Black	11.2	2.3	1.75±0.05	2.2	1000
60727	GMWS-T2-1-BV0	MWS1-1-19BK	PA66 UL94V0	Black	5.8	2.45	1.75±0.05	2.36	1000

Material: PA66 UL94V2 (GMS-01); PA66 UL94V0 (GMS-02)

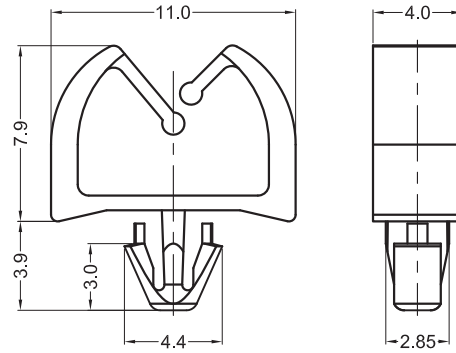


WIRE SADDLES

Micro Wire Saddle, Locking GUAMS



GUAMS

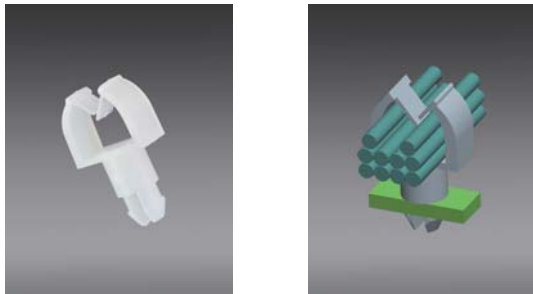


Sizes in mm

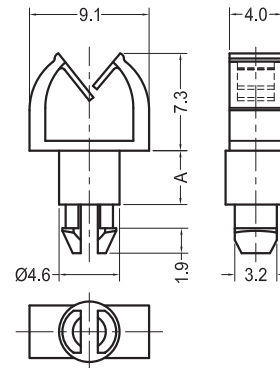
P/N.	Article No.	Material	Color	Hole	Panel Thickness	Packing Unit
60787	GUAMS-05SN-W	PA66 UL94V2	Natural	3.0-3.05	0.8-1.2	1000

Material: PA66 UL94V2 (GMS-01)

Micro Wire Saddle, Locking GMWSELF-1



GMWSELF-1

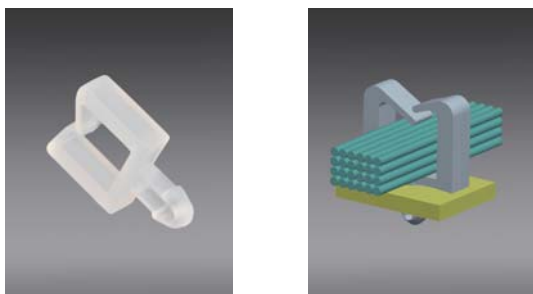


Sizes in mm

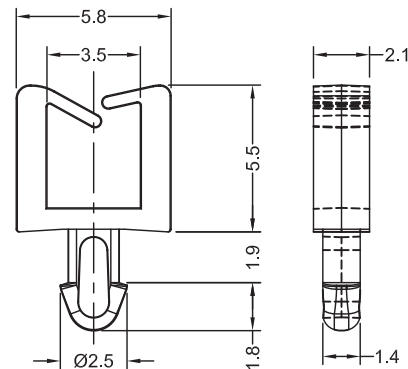
P/N.	Article No.	Cross-Ref.	Material	Color	A	Hole	Panel Thickness	Packing Unit
61221	GMWSELF-1-4.1-01	MWSELF-1-4.1-01	PA66 UL94V2	Natural	4.1	3.8±0.08	1.6	1000
61222	GMWSELF-1-7.7-01	MWSELF-1-7.7-01	PA66 UL94V2	Natural	7.7	3.8±0.08	1.6	1000
61223	GMWSELF-1-4.1-19	MWSELF-1-4.1-19	PA66 UL94V0	Natural	4.1	3.8±0.08	1.6	1000
61224	GMWSELF-1-7.7-19	MWSELF-1-7.7-19	PA66 UL94V0	Natural	7.7	3.8±0.08	1.6	1000

Material: PA66 UL94V2 (GMS-01); PA66 UL94V0 (GMS-02)

Micro Wire Saddle, Locking GMWS-8-66



GMWS-8-66



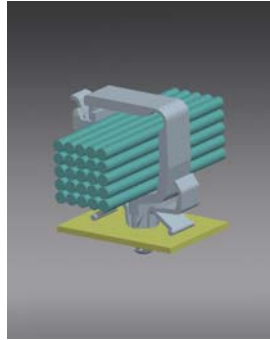
Sizes in mm

P/N.	Article No.	Material	Color	Hole	Panel Thickness	Packing Unit
61384	GMWS-8-66	PA66 UL94V2	Natural	2.0±0.05	1.6-1.8	1000

Material: PA66 UL94V2 (GMS-65)

WIRE SADDLES

Wire Saddle, Locking GSLWS



GSLWS-02

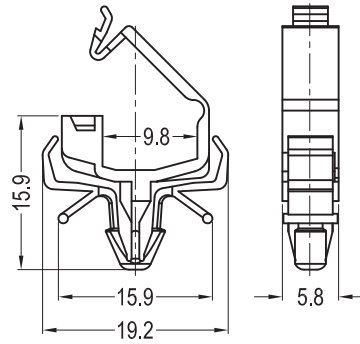


Fig.1

GSLWS-01

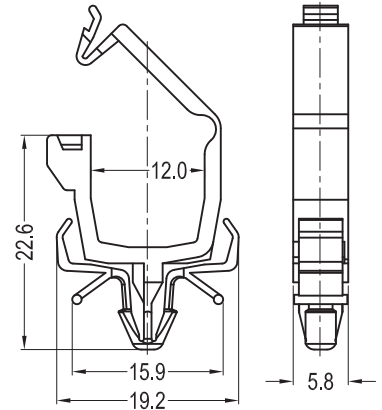


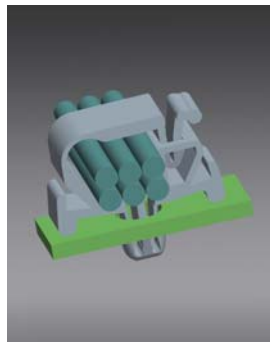
Fig.2

Sizes in mm

P/N.	Article No.	Material	Color	Hole	Panel Thickness	FIG.	Packing Unit
60058	GSLWS-02-66	PA66 UL94V2	Natural	4.8±0.08	0.8-2.3	1	1000
60059	GSLWS-02-V0	PA66 UL94V0	Natural	4.8±0.08	0.8-2.3	1	1000
60056	GSLWS-01-66	PA66 UL94V2	Natural	4.8±0.08	0.8-2.3	2	1000
60057	GSLWS-01-V0	PA66 UL94V0	Natural	4.8±0.08	0.8-2.3	2	1000

Material: PA66 UL94V2 (GMS-01); PA66 UL94V0 (GMS-02)

Wire Saddle, Locking CBS



CBS

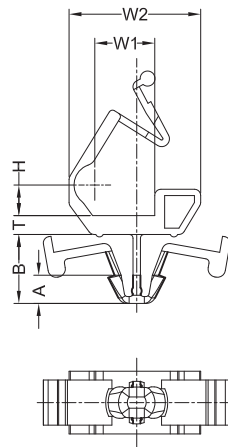


Fig.1

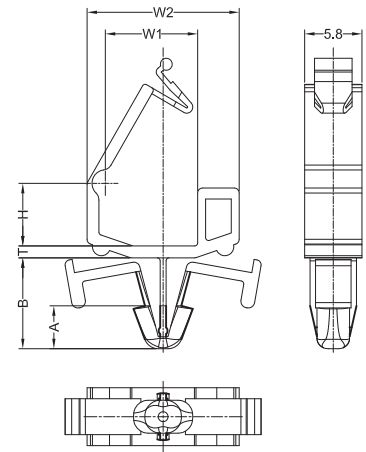


Fig.2

Sizes in mm

P/N.	Article No.	Material	Color	A	B	T	H	W1	W2	Hole	Panel Thickness	FIG.	Packing Unit
61332	CBS-1-19	PA66 UL94V0	Milky White	2.25	5.5	1.5	2.44	4.83	10.6	3.5±0.1	0.8-1.6	1	1000
61333	CBS-2-19	PA66 UL94V0	Milky White	2.35	5.8	1.2	3.9	8.13	15.0	3.5±0.1	0.8-1.6	1	1000
61334	CBS-3-19	PA66 UL94V0	Milky White	4.3	4.7	1.2	6.27	9.35	15.4	4.8±0.1	0.8-2.3	2	1000



WIRE SADDLES

Wire Saddle, Locking GLWS/-A1/-A2

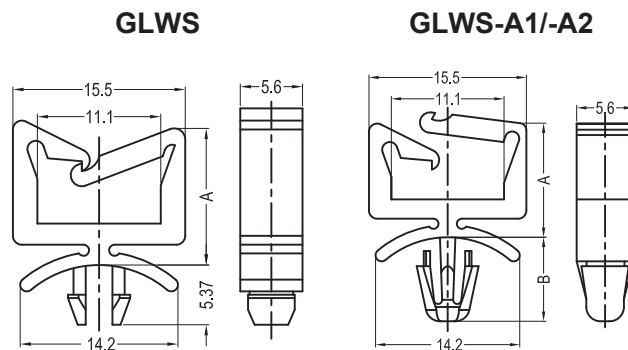
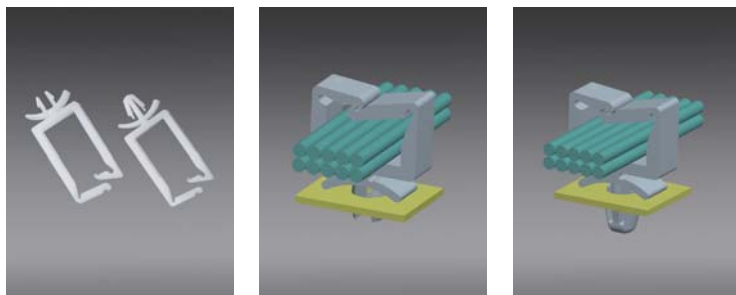


Fig.1

Fig.2

Sizes in mm

P/N.	Article No.	Cross-Ref.	Material	Color	A	B	Hole	Panel Thickness	FIG.	Packing Unit
60130	GLWS-1-66	LWS-1-01	PA66 UL94V2	Natural	13.0	-	4.75±0.08	1.6	1	1000
60131	GLWS-2-66	LWS-2-01	PA66 UL94V2	Natural	18.0	-	4.75±0.08	1.6	1	1000
60132	GLWS-3-66	LWS-3-01	PA66 UL94V2	Natural	27.2	-	4.75±0.08	1.6	1	1000
60133	GLWS-4-66	LWS-4-01	PA66 UL94V2	Natural	35.1	-	4.75±0.08	1.6	1	1000
60343	GLWS-1-V0	LWS-1-19	PA66 UL94V0	Natural	13.0	-	4.75±0.08	1.6	1	1000
60344	GLWS-2-V0	LWS-2-19	PA66 UL94V0	Natural	18.0	-	4.75±0.08	1.6	1	1000
60345	GLWS-3-V0	LWS-3-19	PA66 UL94V0	Natural	27.2	-	4.75±0.08	1.6	1	1000
60346	GLWS-4-V0	LWS-4-19	PA66 UL94V0	Natural	35.1	-	4.75±0.08	1.6	1	1000
60134	GLWS-A1-1-66	LWS-A-1-01	PA66 UL94V2	Natural	13.0	8.4	4.75±0.08	1.6	2	1000
60135	GLWS-A1-2-66	LWS-A-2-01	PA66 UL94V2	Natural	18.0	8.4	4.75±0.08	1.6	2	1000
60136	GLWS-A1-3-66	LWS-A-3-01	PA66 UL94V2	Natural	27.2	8.4	4.75±0.08	1.6	2	1000
60137	GLWS-A1-4-66	LWS-A-4-01	PA66 UL94V2	Natural	35.1	8.4	4.75±0.08	1.6	2	1000
60688	GLWS-A1-1-66B	LWS-A-1-01BK	PA66 UL94V2	Black	13.0	8.4	4.75±0.08	1.6	2	1000
60689	GLWS-A1-2-66B	LWS-A-2-01BK	PA66 UL94V2	Black	18.0	8.4	4.75±0.08	1.6	2	1000
60690	GLWS-A1-3-66B	LWS-A-3-01BK	PA66 UL94V2	Black	27.2	8.4	4.75±0.08	1.6	2	1000
60691	GLWS-A1-4-66B	LWS-A-4-01BK	PA66 UL94V2	Black	35.1	8.4	4.75±0.08	1.6	2	1000
60347	GLWS-A1-1-V0	LWS-A-1-19	PA66 UL94V0	Natural	13.0	8.4	4.75±0.08	1.6	2	1000
60348	GLWS-A1-2-V0	LWS-A-2-19	PA66 UL94V0	Natural	18.0	8.4	4.75±0.08	1.6	2	1000
60349	GLWS-A1-3-V0	LWS-A-3-19	PA66 UL94V0	Natural	27.2	8.4	4.75±0.08	1.6	2	1000
60350	GLWS-A1-4-V0	LWS-A-4-19	PA66 UL94V0	Natural	35.1	8.4	4.75±0.08	1.6	2	1000
60138	GLWS-A2-1-66	LWS-A-2-1-01	PA66 UL94V2	Natural	13.0	9.6	4.75±0.08	3.2	2	1000
60139	GLWS-A2-2-66	LWS-A-2-2-01	PA66 UL94V2	Natural	18.0	9.6	4.75±0.08	3.2	2	1000
60140	GLWS-A2-3-66	LWS-A-2-3-01	PA66 UL94V2	Natural	27.2	9.6	4.75±0.08	3.2	2	1000
60141	GLWS-A2-4-66	LWS-A-2-4-01	PA66 UL94V2	Natural	35.1	9.6	4.75±0.08	3.2	2	1000
60692	GLWS-A2-1-66B	LWS-A-2-1-01BK	PA66 UL94V2	Black	13.0	9.6	4.75±0.08	3.2	2	1000
60693	GLWS-A2-2-66B	LWS-A-2-2-01BK	PA66 UL94V2	Black	18.0	9.6	4.75±0.08	3.2	2	1000
60694	GLWS-A2-3-66B	LWS-A-2-3-01BK	PA66 UL94V2	Black	27.2	9.6	4.75±0.08	3.2	2	1000
60695	GLWS-A2-4-66B	LWS-A-2-4-01BK	PA66 UL94V2	Black	35.1	9.6	4.75±0.08	3.2	2	1000
60351	GLWS-A2-1-V0	LWS-A-2-1-19	PA66 UL94V0	Natural	13.0	9.6	4.75±0.08	3.2	2	1000
60352	GLWS-A2-2-V0	LWS-A-2-2-19	PA66 UL94V0	Natural	18.0	9.6	4.75±0.08	3.2	2	1000
60353	GLWS-A2-3-V0	LWS-A-2-3-19	PA66 UL94V0	Natural	27.2	9.6	4.75±0.08	3.2	2	1000
60354	GLWS-A2-4-V0	LWS-A-2-4-19	PA66 UL94V0	Natural	35.1	9.6	4.75±0.08	3.2	2	1000

Material: PA66 UL94V2 (GMS-01); PA66 UL94V0 (GMS-02)

WIRE SADDLES

Wire Saddle, Locking, Non-Locking GLWS-SR/GWS-SR

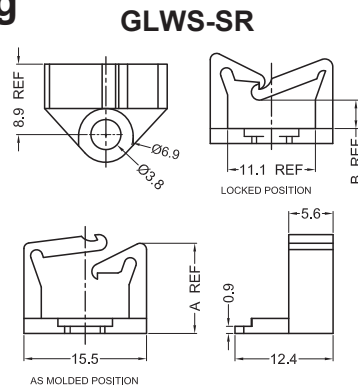
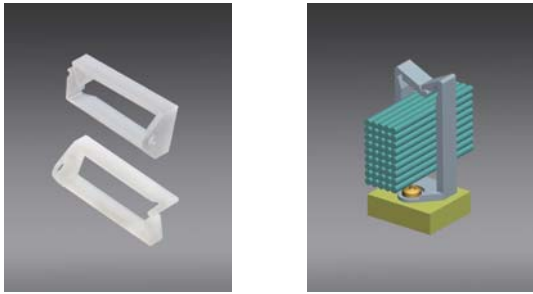


Fig.1

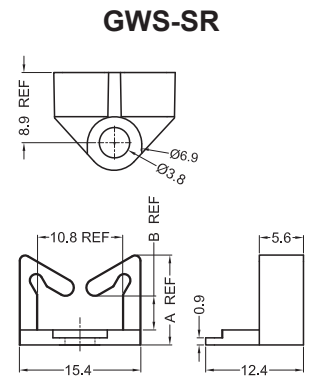


Fig.2

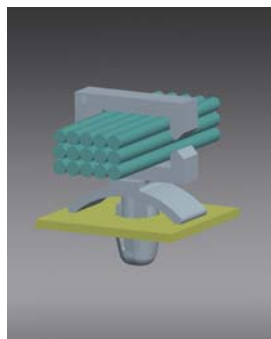
Sizes in mm

P/N.	Article No.	Cross-Ref.	Material	Color	A	B	Mounting Hole	FIG.	Packing Unit
60837	GLWS-SR-1-01	LWS-SR-1-01	PA66 UL94V2	Natural	11.4	3.6	3.6-3.7	1	1000
60838	GLWS-SR-2-01	LWS-SR-2-01	PA66 UL94V2	Natural	16.3	8.6	3.6-3.7	1	1000
60839	GLWS-SR-3-01	LWS-SR-3-01	PA66 UL94V2	Natural	25.4	18.3	3.6-3.7	1	1000
60840	GLWS-SR-4-01	LWS-SR-4-01	PA66 UL94V2	Natural	33.3	25.4	3.6-3.7	1	1000
60666	GWS-SR-1-01	WS-SR-1-01	PA66 UL94V2	Natural	11.4	4.4	3.6-3.7	2	1000
60667	GWS-SR-2-01	WS-SR-2-01	PA66 UL94V2	Natural	16.3	9.3	3.6-3.7	2	1000
60668	GWS-SR-3-01	WS-SR-3-01	PA66 UL94V2	Natural	25.4	18.4	3.6-3.7	2	1000
60669	GWS-SR-4-01	WS-SR-4-01	PA66 UL94V2	Natural	33.5	26.4	3.6-3.7	2	1000
60849	GLWS-SR-1-19	LWS-SR-1-19	PA66 UL94V0	Natural	11.4	3.6	3.6-3.7	1	1000
60850	GLWS-SR-2-19	LWS-SR-2-19	PA66 UL94V0	Natural	16.3	8.6	3.6-3.7	1	1000
60851	GLWS-SR-3-19	LWS-SR-3-19	PA66 UL94V0	Natural	25.4	18.3	3.6-3.7	1	1000
60852	GLWS-SR-4-19	LWS-SR-4-19	PA66 UL94V0	Natural	33.3	25.4	3.6-3.7	1	1000
60999	GWS-SR-1-19	WS-SR-1-19	PA66 UL94V0	Natural	11.4	4.4	3.6-3.7	2	1000
61000	GWS-SR-2-19	WS-SR-2-19	PA66 UL94V0	Natural	16.3	9.3	3.6-3.7	2	1000
61001	GWS-SR-3-19	WS-SR-3-19	PA66 UL94V0	Natural	25.4	18.4	3.6-3.7	2	1000
61002	GWS-SR-4-19	WS-SR-4-19	PA66 UL94V0	Natural	33.5	26.4	3.6-3.7	2	1000

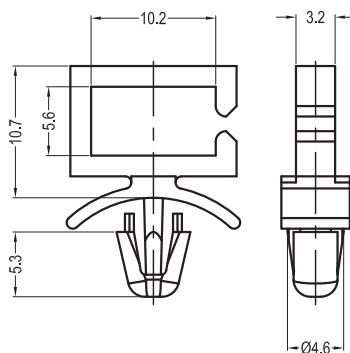
Material: PA66 UL94V2 (GMS-01); PA66 UL94V0 (GMS-02)

WIRE SADDLES

Wire Saddle, Side Entry, Non-Locking GWS-SE



GWS-SE-A-1



GWS-SE-A-2

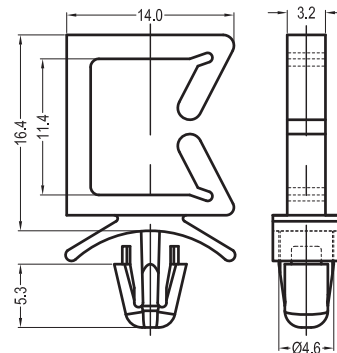


Fig.1

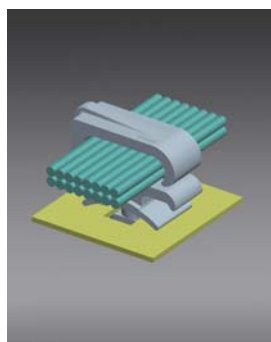
Fig.2

Sizes in mm

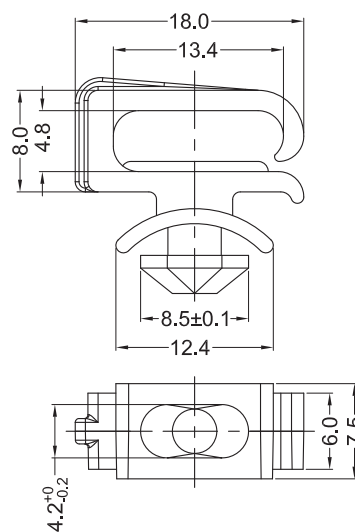
P/N.	Article No.	Cross-Ref.	Material	Color	Hole	Panel Thickness	FIG.	Packing Unit
60614	GWS-SE-A-1-01	WS-SE-A-1-01	PA66 UL94V2	Natural	4.8±0.08	1.6	1	1000
60996	GWS-SE-A-1-01B	WS-SE-A-1-01BK	PA66 UL94V2	Black	4.8±0.08	1.6	1	1000
61040	GWS-SE-A-1-19	WS-SE-A-1-19	PA66 UL94V0	Natural	4.8±0.08	1.6	1	1000
61041	GWS-SE-A-1-19B	WS-SE-A-1-19BK	PA66 UL94V0	Black	4.8±0.08	1.6	1	1000
60962	GWS-SE-A-2-01	WS-SE-A-2-01	PA66 UL94V2	Natural	4.8±0.08	1.6	2	1000
61093	GWS-SE-A-2-01B	WS-SE-A-2-01BK	PA66 UL94V2	Black	4.8±0.08	1.6	2	1000
60963	GWS-SE-A-2-19	WS-SE-A-2-19	PA66 UL94V0	Natural	4.8±0.08	1.6	2	1000
61094	GWS-SE-A-2-19B	WS-SE-A-2-19BK	PA66 UL94V0	Black	4.8±0.08	1.6	2	1000

Material: PA66 UL94V2 (GMS-01); PA66 UL94V0 (GMS-02)

Wire Saddle, Side Entry, Non-Locking G052863000



G052863000



Sizes in mm

P/N.	Article No.	Material	Color	Hole	Panel Thickness	Packing Unit
60807	G052863000	PA6 UL94V2	Natural	(4.5*9.0) ^{+0.1} _{-0.2} mm	0.3-1.5	1000

Material: PA6 UL94V2 (GMS-10)

WIRE SADDLES

Wide Wire Saddle, Non-Locking GAWS/GKWS

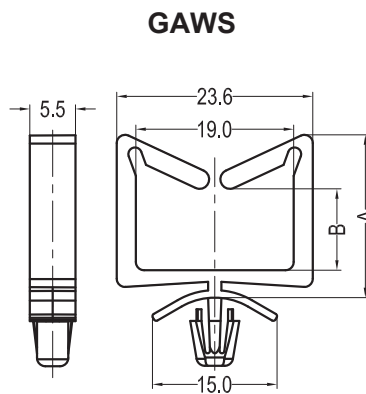
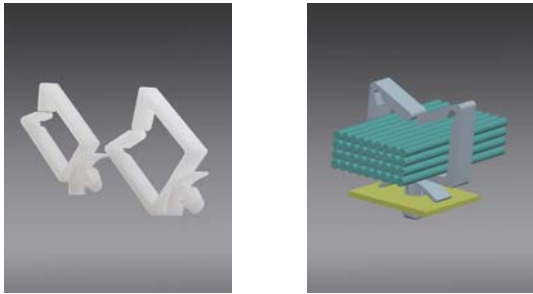


Fig.1

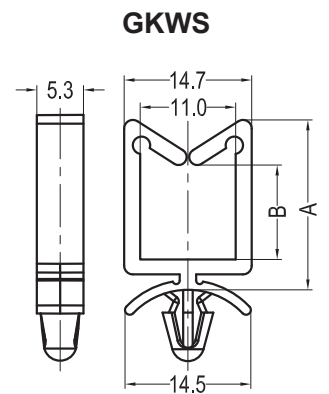


Fig.2

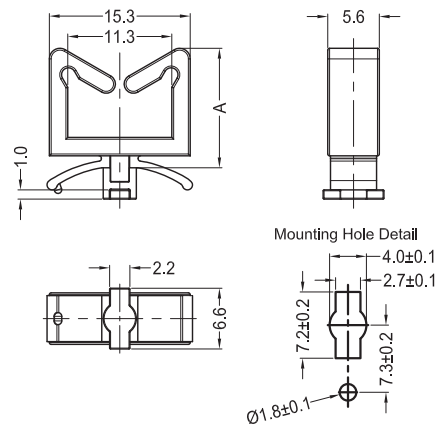
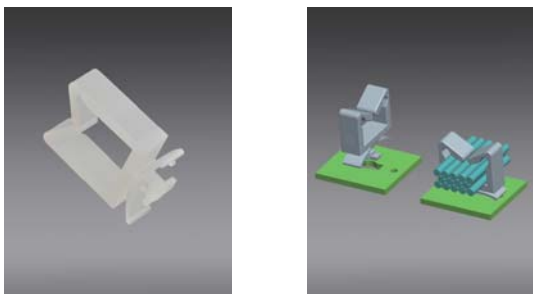
Sizes in mm

P/N.	Article No.	Material	Color	A	B	Hole	Panel Thickness	FIG.	Packing Unit
60042	GAWS-02-66	PA66 UL94V2	Natural	19.6	9.8	4.75±0.08	1.2-2.0	1	1000
60043	GAWS-02-6	PA6 UL94V2	Natural	19.6	9.8	4.75±0.08	1.2-2.0	1	1000
60044	GAWS-02-V0	PA66 UL94V0	Natural	19.6	9.8	4.75±0.08	1.2-2.0	1	1000
60045	GAWS-03-66	PA66 UL94V2	Natural	28.4	18.6	4.75±0.08	1.2-2.0	1	1000
60046	GAWS-03-6	PA6 UL94V2	Natural	28.4	18.6	4.75±0.08	1.2-2.0	1	1000
60047	GAWS-03-V0	PA66 UL94V0	Natural	28.4	18.6	4.75±0.08	1.2-2.0	1	1000
60048	GKWS-02-66	PA66 UL94V2	Natural	26.9	18.2	4.75±0.08	0.8-2.0	2	1000
60049	GKWS-02-6	PA6 UL94V2	Natural	26.9	18.2	4.75±0.08	0.8-2.0	2	1000
60477	GKWS-02-V0	PA66 UL94V0	Natural	26.9	18.2	4.75±0.08	0.8-2.0	2	1000
60468	GKWS-03-66	PA66 UL94V2	Natural	34.8	26.1	4.75±0.08	0.8-2.0	2	500
60469	GKWS-03-6	PA6 UL94V2	Natural	34.8	26.1	4.75±0.08	0.8-2.0	2	500

Material: PA66 UL94V2 (GMS-01); PA66 UL94V0 (GMS-02); PA6 UL94V2 (GMS-10)

Wire Saddle, Quarter-Turn Base, Non-Locking GWS-9

GWS-9



Sizes in mm

P/N.	Article No.	Cross-Ref.	Material	Color	A	Panel Thickness	Packing Unit
61070	GWS-9-1-01	WS-9-1-01	PA66 UL94V2	Natural	13.0	0.8-1.6	1000
61071	GWS-9-2-01	WS-9-2-01	PA66 UL94V2	Natural	17.8	0.8-1.6	1000
61080	GWS-9-3-01	WS-9-3-01	PA66 UL94V2	Natural	26.9	0.8-1.6	1000
61081	GWS-9-4-01	WS-9-4-01	PA66 UL94V2	Natural	34.8	0.8-1.6	1000
61078	GWS-9-1-19	WS-9-1-19	PA66 UL94V0	Natural	13.0	0.8-1.6	1000
61079	GWS-9-2-19	WS-9-2-19	PA66 UL94V0	Natural	17.8	0.8-1.6	1000
61082	GWS-9-3-19	WS-9-3-19	PA66 UL94V0	Natural	26.9	0.8-1.6	1000
61083	GWS-9-4-19	WS-9-4-19	PA66 UL94V0	Natural	34.8	0.8-1.6	1000

Material: PA66 UL94V2 (GMS-01); PA66 UL94V0 (GMS-02)



sales@sucatec.com



www.sucatec.com

WIRE SADDLES

Wire Saddle, Quarter-Turn Base, Non-Locking G4930TKK

G4930TKK063A

G4930TKK064A

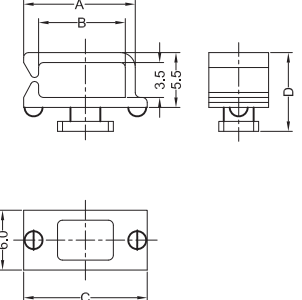
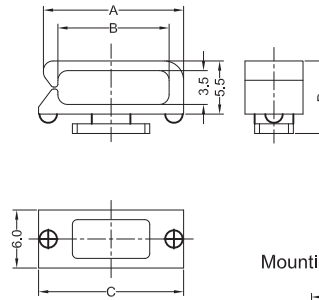
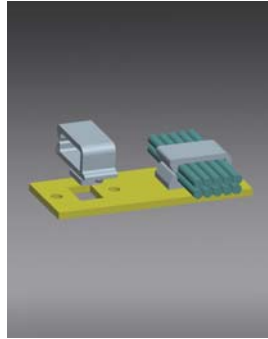


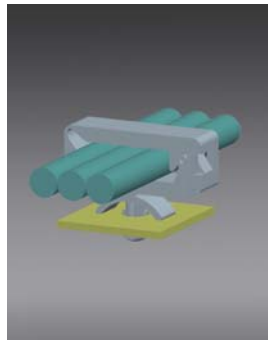
Fig.1

Fig.2

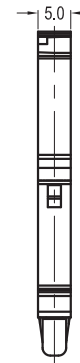
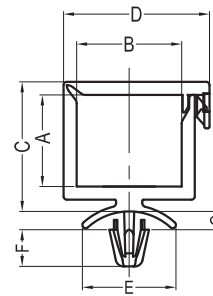
Sizes in mm

P/N.	Article No.	Material	Color	A	B	C	D	E	F	Panel Thickness	FIG.	Packing Unit
61280	G4930TKK063A	PA66 UL94V2	Natural	14.5	11.5	15.0	7.5	8.0	13.0	0.5-0.8	1	1000
61331	G4930TKK064A	PA66 UL94V2	Natural	11.2	8.7	12.4	7.9	5.8	10.4	0.8-1.6	2	1000

Wire Saddle, Locking Top, Locking GWSLT



GWSLT



Sizes in mm

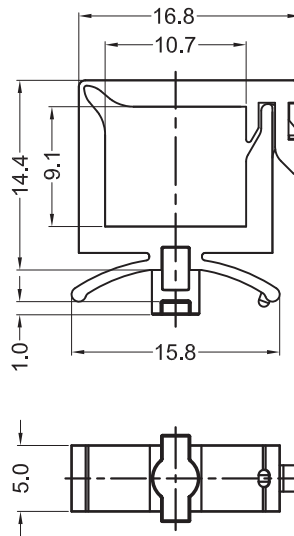
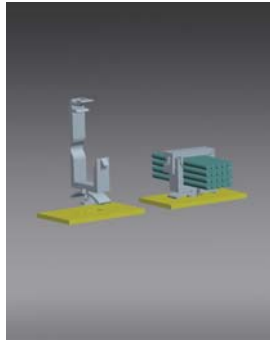
P/N.	Article No.	Cross-Ref.	Material	Color	A	B	C	D	E	F	G	Hole	Panel Thickness	Packing Unit
60615	GWSLT-3.5-2-1-01	WSLT-3.5-2-1-01	PA66 UL94V2	Natural	3.7	13.5	8.9	19.6	9.5	3.0	2.5	3.5±0.08	1.57	1000
61036	GWSLT-3.5-2-1-19	WSLT-3.5-2-1-19	PA66 UL94V0	Natural	3.7	13.5	8.9	19.6	9.5	3.0	2.5	3.5±0.08	1.57	1000
60230	GWSLT-01A-01	WSLT-01A-01	PA66 UL94V2	Natural	4.8	10.7	10.6	17.4	14.3	5.6	2.8	4.75±0.08	1.57	1000
60514	GWSLT-01A-19	WSLT-01A-19	PA66 UL94V0	Natural	4.8	10.7	10.6	17.4	14.3	5.6	2.8	4.75±0.08	1.57	1000
60231	GWSLT-01-2-01	WSLT-01-2-01	PA66 UL94V2	Natural	8.8	10.7	14.6	17.4	14.3	5.6	2.8	4.75±0.08	1.57	1000
60515	GWSLT-01-2-19	WSLT-01-2-19	PA66 UL94V0	Natural	8.8	10.7	14.6	17.4	14.3	5.6	2.8	4.75±0.08	1.57	1000
60660	GWSLT-02-1-01	WSLT-02-1-01	PA66 UL94V2	Natural	3.7	13.5	9.4	19.6	14.3	5.6	2.8	4.75±0.08	1.57	1000
61033	GWSLT-02-1-19	WSLT-02-1-19	PA66 UL94V0	Natural	3.7	13.5	9.4	19.6	14.3	5.6	2.8	4.75±0.08	1.57	1000
60415	GWSLT-02A-01	WSLT-02A-01	PA66 UL94V2	Natural	10.0	16.3	15.8	22.4	14.3	5.6	2.8	4.75±0.08	1.57	1000
61032	GWSLT-02A-19	WSLT-02A-19	PA66 UL94V0	Natural	10.0	16.3	15.8	22.4	14.3	5.6	2.8	4.75±0.08	1.57	1000
60661	GWSLT-03-2-01	WSLT-03-2-01	PA66 UL94V2	Natural	14.1	16.3	19.6	22.4	14.3	5.6	2.8	4.75±0.08	1.57	1000
61034	GWSLT-03-2-19	WSLT-03-2-19	PA66 UL94V0	Natural	14.1	16.3	19.6	22.4	14.3	5.6	2.8	4.75±0.08	1.57	1000
60995	GWSLT-03-3-01	WSLT-03-3-01	PA66 UL94V2	Natural	21.7	18.0	27.3	24.3	14.3	5.6	2.8	4.75±0.08	1.57	500
61035	GWSLT-03-3-19	WSLT-03-3-19	PA66 UL94V0	Natural	21.7	18.0	27.3	24.3	14.3	5.6	2.8	4.75±0.08	1.57	500

Material: PA66 UL94V2 (GMS-01); PA66 UL94V0 (GMS-02)



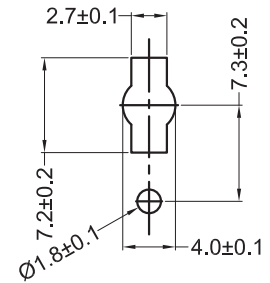
WIRE SADDLES

Wire Saddle, Locking Top, Locking GWSLT-9



GWSLT-9

Mounting Hole Detail

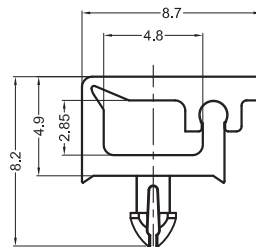
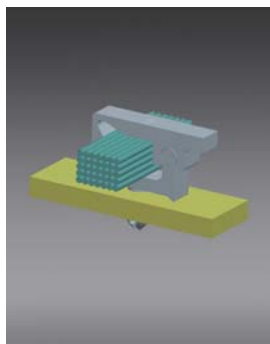


Sizes in mm

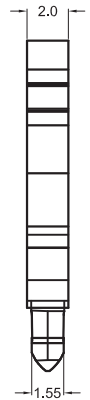
P/N.	Article No.	Cross-Ref.	Material	Color	Panel Thickness	Packing Unit
60783	GWSLT-9-01-2-01	WSLT-9-01-2-01	PA66 UL94V2	Natural	0.8-1.6	1000
60779	GWSLT-9-01-2-19	WSLT-9-01-2-19	PA66 UL94V0	Natural	0.8-1.6	1000

Material: PA66 UL94V2 (GMS-01); PA66 UL94V0 (GMS-02)

Micro Wire Saddle, Locking Top, Locking GMWSLT



GMWSLT



Sizes in mm

P/N.	Article No.	Cross-Ref.	Material	Color	Hole	Panel Thickness	Packing Unit
60490	GMWSLT-1-01	MWSLT-1-01	PA66 UL94V2	Natural	1.7 ± 0.05	1.6	1000
60648	GMWSLT-1-19	MWSLT-1-19	PA66 UL94V0	Natural	1.7 ± 0.05	1.6	1000

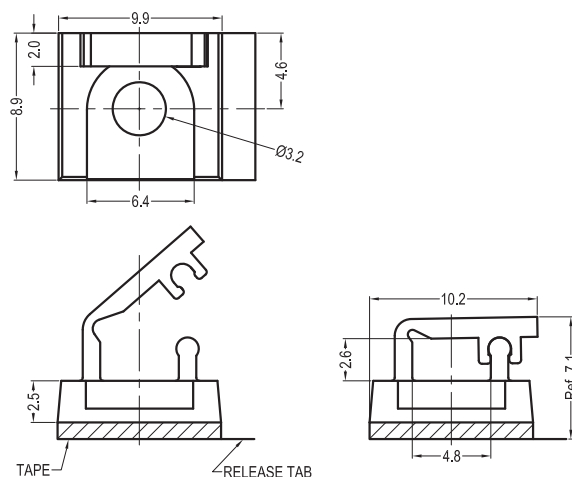
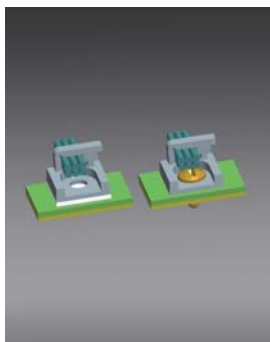
Material: PA66 UL94V2 (GMS-01); PA66 UL94V0 (GMS-02)



WIRE SADDLES

Micro Wire Saddle, Locking Top, Locking GMWSLTB

GMWSLTB



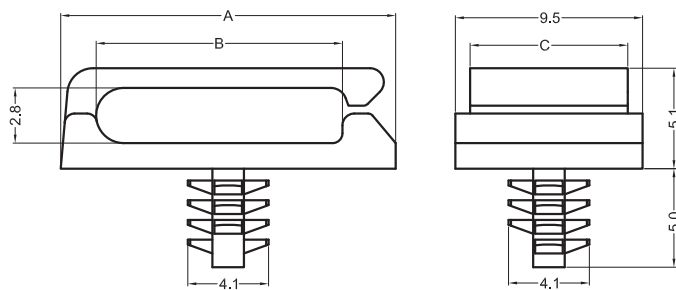
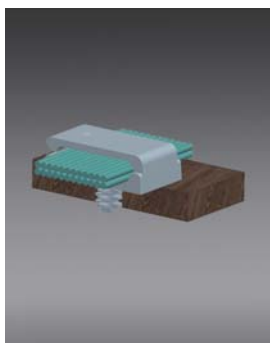
Sizes in mm

P/N.	Article No.	Cross-Ref.	Material	Material I	Adhesive Tape	Color	Packing Unit
61076	GMWSLTB-1-01	MWSLTB-1-01	PA66 UL94V2	-	-	Natural	1000
61062	GMWSLTB-1-19	MWSLTB-1-19	PA66 UL94V0	-	-	Natural	1000
61090	GMWSLTB-1-01-AT	MWSLTB-1-01A-RT	PA66 UL94V2	TAPE	8.5*9.5A*1.0	Natural	1000
61089	GMWSLTB-1-19-AT	MWSLTB-1-19A-RT	PA66 UL94V0	TAPE	8.5*9.5A*1.0	Natural	1000

Material: PA66 UL94V2 (GMS-01); PA66 UL94V0 (GMS-02); Adhesive Tape (GMS-06)

Wire Saddle, Non-Locking, Fir Tree GMBHWSSE

GMBHWSSE



Sizes in mm

P/N.	Article No.	Cross-Ref.	Material	Color	A	B	C	Hole	Panel Thickness	Packing Unit
60670	GMBHWSSE-1-01	MBHWSSE-1-01	PA66 UL94V2	Natural	12.7	8.3	6.4	4.0±0.08	1.0-4.1	1000
60721	GMBHWSSE-1-19	MBHWSSE-1-19	PA66 UL94V0	Natural	12.7	8.3	6.4	4.0±0.08	1.0-4.1	1000
60671	GMBHWSSE1-1-01	MBHWSSE1-1-01	PA66 UL94V2	Natural	17.0	12.5	8.0	4.0±0.08	1.0-4.1	1000
60722	GMBHWSSE1-1-19	MBHWSSE1-1-19	PA66 UL94V0	Natural	17.0	12.5	8.0	4.0±0.08	1.0-4.1	1000

Material: PA66 UL94V2 (GMS-01); PA66 UL94V0 (GMS-02)

WIRE SADDLES

Blind Hole Mount Wire Saddle, Non-Locking, Locking GBHMWS/2

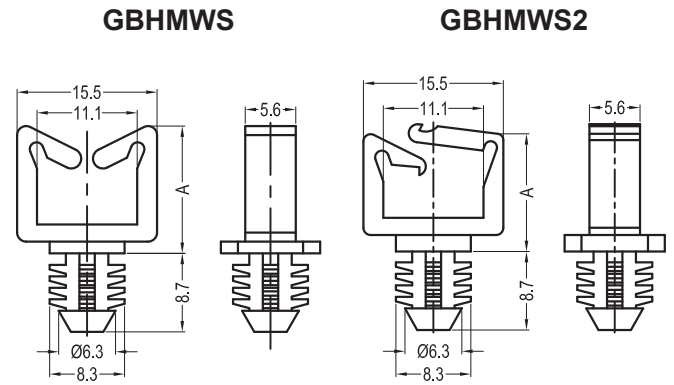
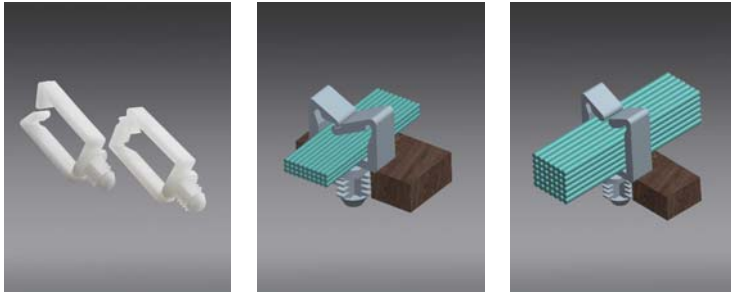


Fig.1

Fig.2

Sizes in mm

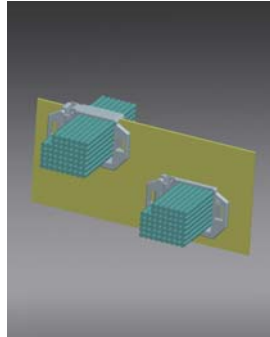
P/N.	Article No.	Cross-Ref.	Material	Color	A	Hole	Panel Thickness	FIG.	Packing Unit
60070	GBHMWS-1-66	WSBH-1-01	PA66 UL94V2	Natural	13.0	7.9±0.08	6.4 Min.	1	1000
60071	GBHMWS-2-66	WSBH-2-01	PA66 UL94V2	Natural	18.3	7.9±0.08	6.4 Min.	1	1000
60072	GBHMWS-3-66	WSBH-3-01	PA66 UL94V2	Natural	27.2	7.9±0.08	6.4 Min.	1	1000
60073	GBHMWS-4-66	WSBH-4-01	PA66 UL94V2	Natural	35.6	7.9±0.08	6.4 Min.	1	1000
61037	GBHMWS-1-66B	WSBH-1-01BK	PA66 UL94V2	Black	13.0	7.9±0.08	6.4 Min.	1	1000
60466	GBHMWS-2-66B	WSBH-2-01BK	PA66 UL94V2	Black	18.3	7.9±0.08	6.4 Min.	1	1000
61038	GBHMWS-3-66B	WSBH-3-01BK	PA66 UL94V2	Black	27.2	7.9±0.08	6.4 Min.	1	1000
61039	GBHMWS-4-66B	WSBH-4-01BK	PA66 UL94V2	Black	35.6	7.9±0.08	6.4 Min.	1	1000
60232	GBHMWS2-1-66	LWSBH-1-01	PA66 UL94V2	Natural	13.0	7.9±0.08	6.4 Min.	2	1000
60233	GBHMWS2-2-66	LWSBH-2-01	PA66 UL94V2	Natural	18.0	7.9±0.08	6.4 Min.	2	1000
60234	GBHMWS2-3-66	LWSBH-3-01	PA66 UL94V2	Natural	27.2	7.9±0.08	6.4 Min.	2	1000
60235	GBHMWS2-4-66	LWSBH-4-01	PA66 UL94V2	Natural	35.2	7.9±0.08	6.4 Min.	2	1000
60927	GBHMWS-1-V0	WSBH-1-19	PA66 UL94V0	Natural	13.0	7.9±0.08	6.4 Min.	1	1000
60928	GBHMWS-2-V0	WSBH-2-19	PA66 UL94V0	Natural	18.3	7.9±0.08	6.4 Min.	1	1000
60929	GBHMWS-3-V0	WSBH-3-19	PA66 UL94V0	Natural	27.2	7.9±0.08	6.4 Min.	1	1000
60930	GBHMWS-4-V0	WSBH-4-19	PA66 UL94V0	Natural	35.6	7.9±0.08	6.4 Min.	1	1000
60931	GBHMWS2-1-V0	LWSBH-1-19	PA66 UL94V0	Natural	13.0	7.9±0.08	6.4 Min.	2	1000
60932	GBHMWS2-2-V0	LWSBH-2-19	PA66 UL94V0	Natural	18.0	7.9±0.08	6.4 Min.	2	1000
60933	GBHMWS2-3-V0	LWSBH-3-19	PA66 UL94V0	Natural	27.2	7.9±0.08	6.4 Min.	2	1000
60934	GBHMWS2-4-V0	LWSBH-4-19	PA66 UL94V0	Natural	35.2	7.9±0.08	6.4 Min.	2	1000

Material: PA66 UL94V2 (GMS-01); PA66 UL94V0 (GMS-02)

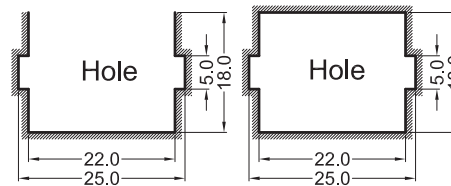
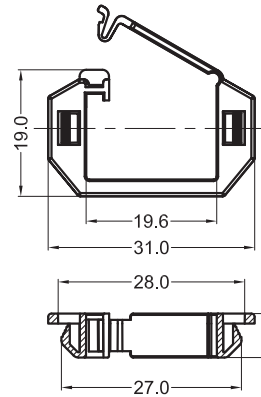


WIRE SADDLES

Edge Holding Wire Saddle, Locking GBWS



GBWS

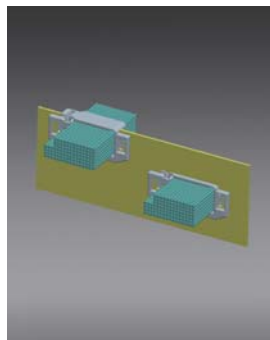


Sizes in mm

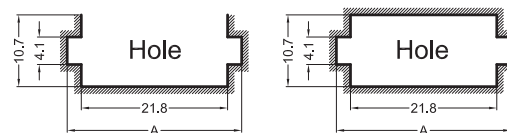
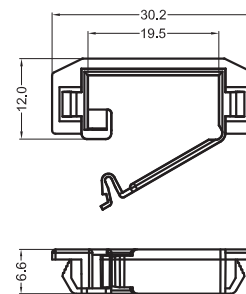
P/N.	Article No.	Cross-Ref.	Material	Color	Panel Thickness	Packing Unit
60371	GBWS-02-40N	HEWSE-22-01	PA66 UL94V2	Natural	0.5-1.6	1000
60800	GBWS-02-V0	HEWSE-22-19	PA66 UL94V0	Natural	0.5-1.6	1000
60222	GBWS-02-40	-	PA46 UL94V2	Red	0.5-1.6	1000

Material: PA66 UL94V2 (GMS-01); PA66 UL94V0 (GMS-02); PA46 UL94V2 (GMS-07)

Edge Holding Wire Saddle, Locking GSBWS



GSBWS



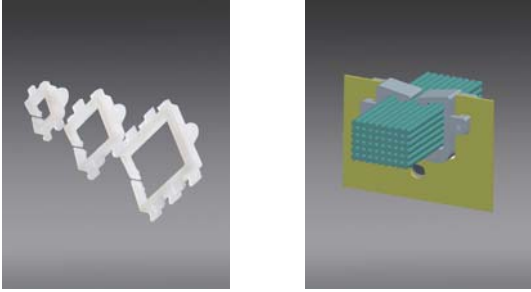
Sizes in mm

P/N.	Article No.	Cross-Ref.	Material	Color	A	Panel Thickness	Packing Unit
60060	GSBWS-01-66	HEWSE-25-01	PA66 UL94V2	Natural	25.0	0.8-1.6	1000
					26.0	2.0	
60030	GSBWS-01-V0	HEWSE-25-19	PA66 UL94V0	Natural	25.0	0.8-1.6	1000
					26.0	2.0	

Material: PA66 UL94V2 (GMS-01); PA66 UL94V0 (GMS-02)

WIRE SADDLES

Edge Holding Wire Saddle, Non-Locking GLEWSE



GLEWSE-14

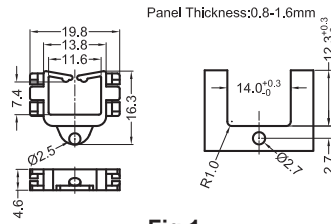


Fig.1

GLEWSE-19

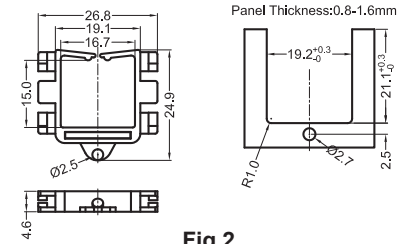


Fig.2

GLEWSE-21

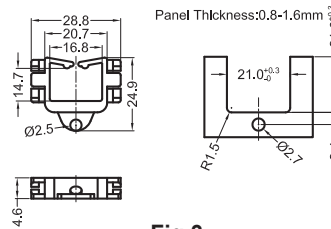


Fig.3

GLEWSE-27

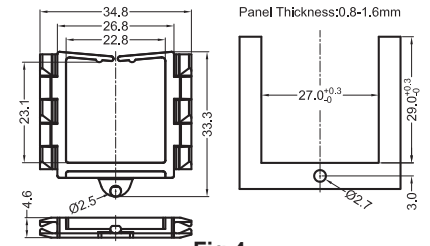


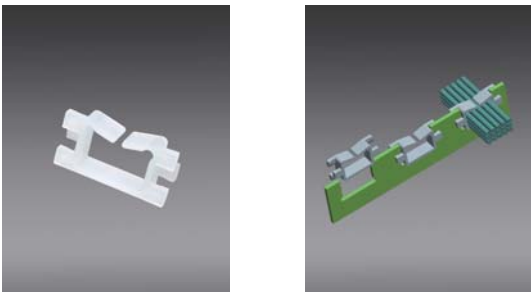
Fig.4

Sizes in mm

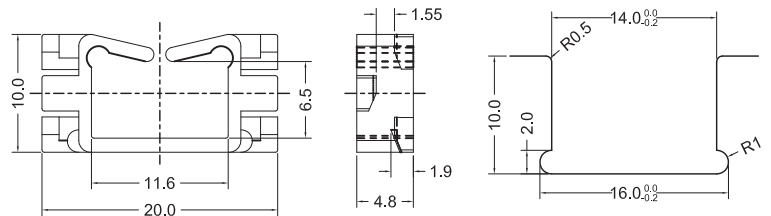
P/N.	Article No.	Cross-Ref.	Material	Color	Panel Thickness	FIG.	Packing Unit
60672	GLEWSE-14-01	LEWSE-14-01	PA66 UL94V2	Natural	0.8-1.6	1	1000
61134	GLEWSE-14-19	LEWSE-14-19	PA66 UL94V0	Natural	0.8-1.6	1	1000
60673	GLEWSE-19-01	LEWSE-19-01	PA66 UL94V2	Natural	0.8-1.6	2	1000
61135	GLEWSE-19-19	LEWSE-19-19	PA66 UL94V0	Natural	0.8-1.6	2	1000
60674	GLEWSE-21-01	LEWSE-21-01	PA66 UL94V2	Natural	0.8-1.6	3	1000
61136	GLEWSE-21-19	LEWSE-21-19	PA66 UL94V0	Natural	0.8-1.6	3	1000
60675	GLEWSE-27-01	LEWSE-27-01	PA66 UL94V2	Natural	0.8-1.6	4	500
61137	GLEWSE-27-19	LEWSE-27-19	PA66 UL94V0	Natural	0.8-1.6	4	500

Material: PA66 UL94V2 (GMS-01); PA66 UL94V0 (GMS-02)

Edge Holding Wire Saddle, Non-Locking GEWSE



GEWSE



RECOMMENDED MOUNTING HOLE

Sizes in mm

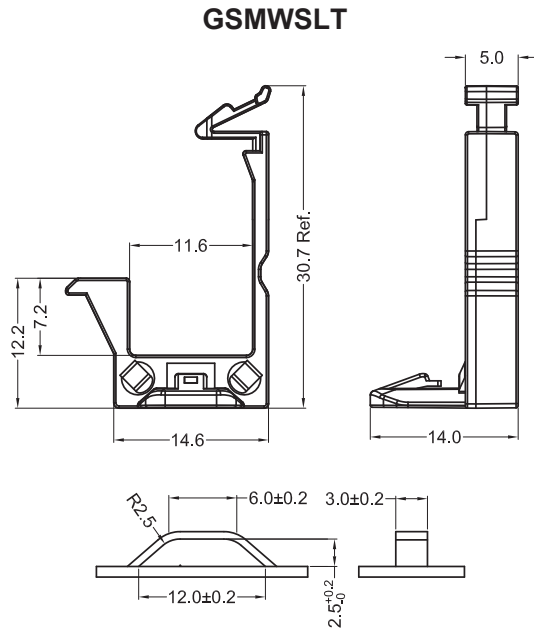
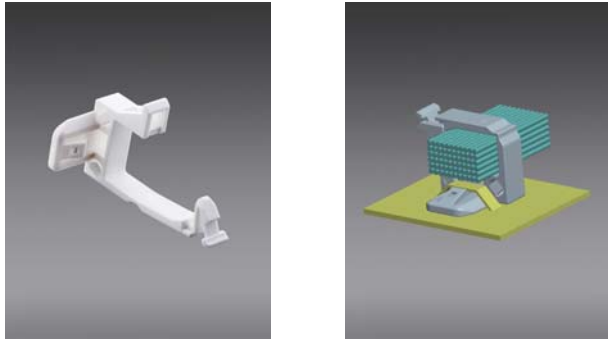
P/N.	Article No.	Cross-Ref.	Material	Color	Panel Thickness	Packing Unit
61309	GEWSE-2-01	EWSE-2-01	PA66 UL94V2	Natural	1.2-1.6	1000

Material: PA66 UL94V2 (GMS-65)



WIRE SADDLES

Side Mount Wire Saddle Locking GSMWSLT



Mounting hole dimensions

Sizes in mm

P/N.	Article No.	Cross-Ref.	Material	Color	Packing Unit
60788	GSMWSLT-1-19	SMWSLT-1-19	PA66 UL94V0	Natural	1000

Material: PA66 UL94V0 (GMS-02)

Wire Saddle on Adhesive Base GSN

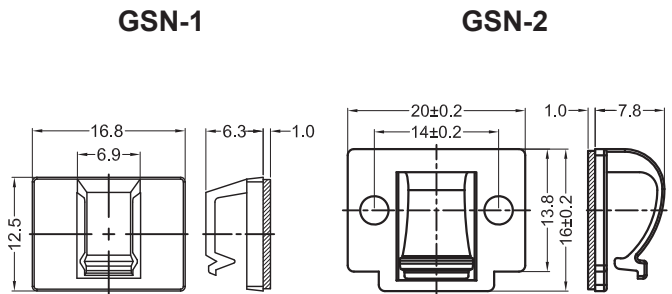
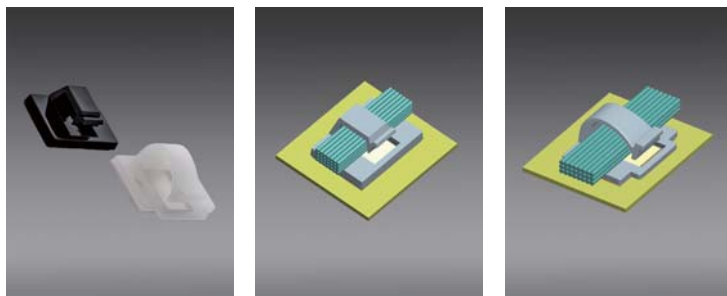


Fig.1

Fig.2

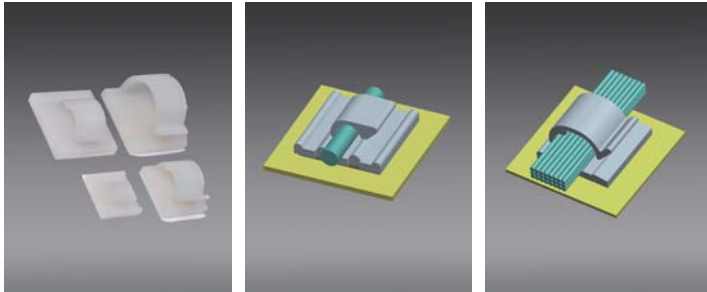
Sizes in mm

P/N.	Article No.	Material	Color	Adhesive Tape	FIG.	Packing Unit
61144	GSN-1B-AT	PA6 UL94V2	Black	12.0*16.8*1.0	1	500
61145	GSN-2-AT	PA6 UL94V2	Natural	13.5*20.0*1.0	2	500

Material: PA6 UL94V2 (GMS-37); Adhesive Tape (GMS-06); Optional: Rubber Adhesive Tape (GMS-61);
To order Rubber, please change -AT to -RT in Article No. (Example: GSN-1B-RT)

WIRE SADDLES

Wire Saddle on Adhesive Base GWCK/GMWCK



GWCK-180

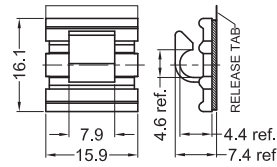


Fig.1

GMWCK-460

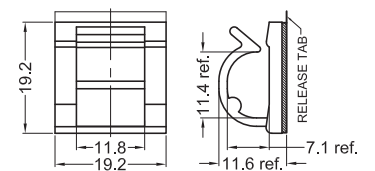


Fig.2

GWCK-460

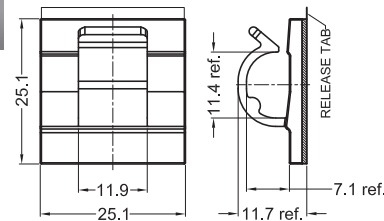


Fig.3

GWCK-720

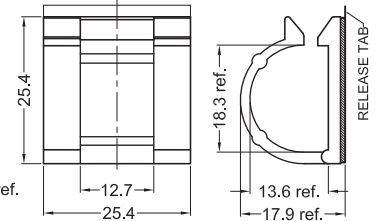


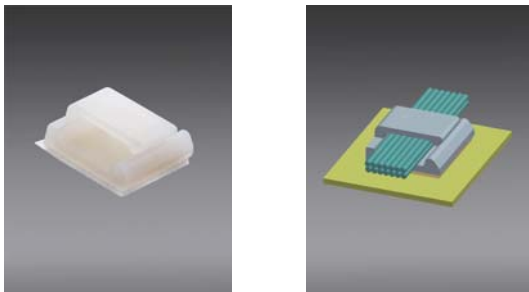
Fig.4

Sizes in mm

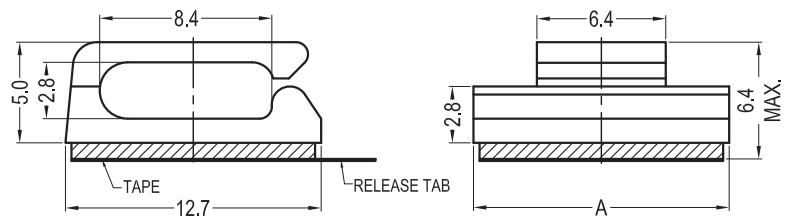
P/N.	Article No.	Cross-Ref.	Material	Color	Adhesive Tape	FIG.	Packing Unit
60480	GWCK-180-01-AT	WCK-180-01A-RT	PA66 UL94V2	Natural	15.5*15.5A*1.0	1	1000
60797	GWCK-180-01B-AT	WCK-180-01A-RTBK	PA66 UL94V2	Black	15.5*15.5A*1.0	1	1000
60612	GMWCK-460-01-AT	MWCK-460-01A-RT	PA66 UL94V2	Natural	19.0*19.0A*1.0	2	1000
61087	GWCK-460-01-AT	WCK-460-01A-RT	PA66 UL94V2	Natural	25.0*25.0A*1.0	3	500
60717	GWCK-720-01-AT	WCK-720-01A-RT	PA66 UL94V2	Natural	25.0*25.0A*1.0	4	500

Material: PA66 UL94V2 (GMS-01); Adhesive Tape (GMS-06); Optional: Rubber Adhesive Tape (GMS-61);
To order Rubber, please change -AT to -RT in Article No. (Example: GWCK-180-01-RT)

Side Entry Wire Saddle on Adhesive Base GMWSB-1/-2



GMWSB-1/-2



Sizes in mm

P/N.	Article No.	Cross-Ref.	Material	Color	Adhesive Tape	A	Packing Unit
60450	GMWSB-1-66-AT	MWSSEBE-1-01A-RT	PA66 UL94V2	Natural	12.5*12.5A*1.0	12.7	1000
60571	GMWSB-1-V0-AT	MWSSEBE-1-19A-RT	PA66 UL94V0	Natural	12.5*12.5A*1.0	12.7	1000
60451	GMWSB-2-66-AT	MWSSEB-1-01A-RT	PA66 UL94V2	Natural	9.3*12.5A*1.0	9.5	1000
60572	GMWSB-2-V0-AT	MWSSEB-1-19A-RT	PA66 UL94V0	Natural	9.3*12.5A*1.0	9.5	1000

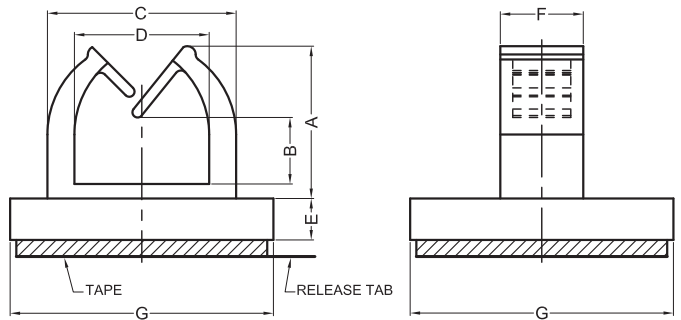
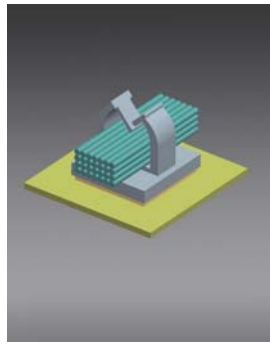
Material: PA66 UL94V2 (GMS-01); PA66 UL94V0 (GMS-02); Adhesive Tape (GMS-06); Optional: Rubber Adhesive Tape (GMS-61);
To order Rubber, please change -AT to -RT in Article No. (Example: GMWSB-1-66-RT)



WIRE SADDLES

Micro Wire Saddle on Adhesive Base GMWSB2

GMWSB2



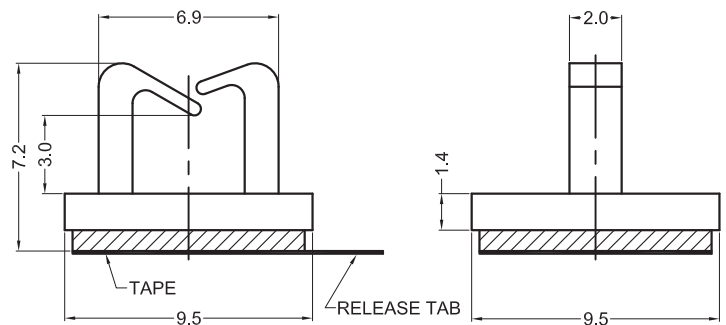
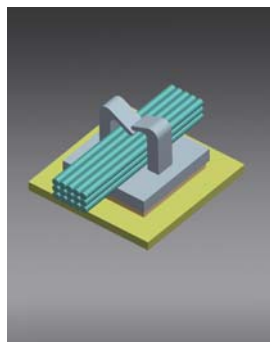
Sizes in mm

P/N.	Article No.	Cross-Ref.	Material	Color	A	B	C	D	E	F	G	Adhesive Tape	Packing Unit
60453	GMWSB2-1-66-AT	MWSEB-1-01A-RT	PA66 UL94V2	Natural	4.2	1.0	7.1	4.6	1.5	2.0	9.4	9.3*9.3A*1.0	1000
60454	GMWSB2-2-66-AT	MWSEB-2-01A-RT	PA66 UL94V2	Natural	6.0	2.8	7.1	4.6	1.5	2.0	9.4	9.3*9.3A*1.0	1000
60455	GMWSB2-3-66-AT	MWSEB-3-01A-RT	PA66 UL94V2	Natural	7.4	3.2	9.1	6.4	2.0	4.0	12.7	12.5*12.5A*1.0	1000
60456	GMWSB2-4-66-AT	MWSEB-4-01A-RT	PA66 UL94V2	Natural	9.1	4.1	10.7	7.9	2.0	4.0	12.7	12.5*12.5A*1.0	1000
60457	GMWSB2-5-66-AT	MWSEB-5-01A-RT	PA66 UL94V2	Natural	11.3	6.1	11.9	8.9	2.0	4.0	12.7	12.5*12.5A*1.0	1000
60458	GMWSB2-6-66-AT	MWSEB-6-01A-RT	PA66 UL94V2	Natural	12.9	7.9	11.9	8.9	2.0	4.0	12.7	12.5*12.5A*1.0	1000
60581	GMWSB2-1-V0-AT	MWSEB-1-19A-RT	PA66 UL94V0	Natural	4.2	1.0	7.1	4.6	1.5	2.0	9.4	9.3*9.3A*1.0	1000
60582	GMWSB2-2-V0-AT	MWSEB-2-19A-RT	PA66 UL94V0	Natural	6.0	2.8	7.1	4.6	1.5	2.0	9.4	9.3*9.3A*1.0	1000
60583	GMWSB2-3-V0-AT	MWSEB-3-19A-RT	PA66 UL94V0	Natural	7.4	3.2	9.1	6.4	2.0	4.0	12.7	12.5*12.5A*1.0	1000
60584	GMWSB2-4-V0-AT	MWSEB-4-19A-RT	PA66 UL94V0	Natural	9.1	4.1	10.7	7.9	2.0	4.0	12.7	12.5*12.5A*1.0	1000
60585	GMWSB2-5-V0-AT	MWSEB-5-19A-RT	PA66 UL94V0	Natural	11.3	6.1	11.9	8.9	2.0	4.0	12.7	12.5*12.5A*1.0	1000
60586	GMWSB2-6-V0-AT	MWSEB-6-19A-RT	PA66 UL94V0	Natural	12.9	7.9	11.9	8.9	2.0	4.0	12.7	12.5*12.5A*1.0	1000

Material: PA66 UL94V2 (GMS-01); PA66 UL94V0 (GMS-02); Adhesive Tape (GMS-06); Optional: Rubber Adhesive Tape (GMS-61);
To order Rubber, please change -AT to -RT in Article No. (Example: GMWSB2-1-66-RT)

Micro Wire Saddle on Adhesive Base GMWSB-3

GMWSB-3



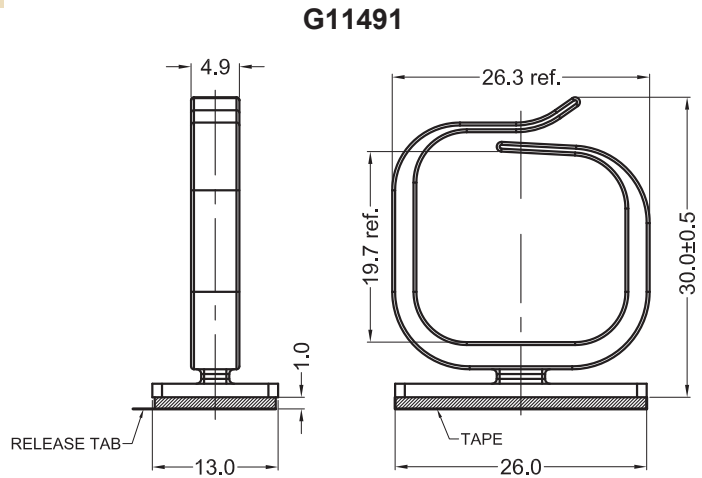
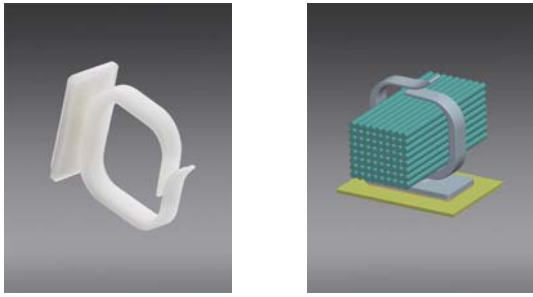
Sizes in mm

P/N.	Article No.	Cross-Ref.	Material	Color	Adhesive Tape	Packing Unit
60452	GMWSB-3-66-AT	MWSB-1-01A-RT	PA66 UL94V2	Natural	9.3*9.3A*1.0	1000
60574	GMWSB-3-V0-AT	MWSB-1-19A-RT	PA66 UL94V0	Natural	9.3*9.3A*1.0	1000

Material: PA66 UL94V2 (GMS-01); PA66 UL94V0 (GMS-02); Adhesive Tape (GMS-06); Optional: Rubber Adhesive Tape (GMS-61);
To order Rubber, please change -AT to -RT in Article No. (Example: GMWSB-3-66-RT)

WIRE SADDLES

Fibre Saddle G11491

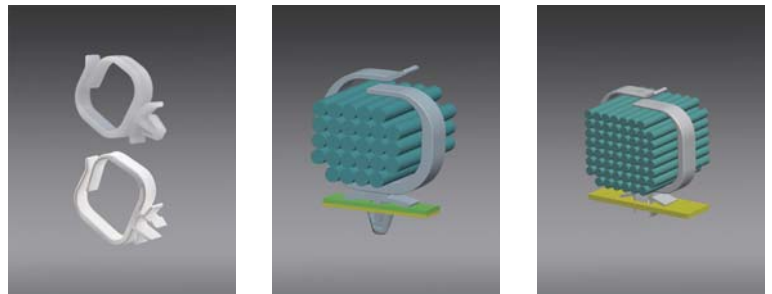


Sizes in mm

P/N.	Article No.	Material	Color	Adhesive Tape	Packing Unit
60606	G11491-AT	PA66 UL94V2	Natural	26.0*13.0A*1.0	500

Material: PA66 UL94V2 (GMS-01); Acrylic Adhesive Tape (GMS-06); Optional: Rubber Adhesive Tape (GMS-61);
To order Rubber, please change -AT to -RT in Article No. (Example: G11491-RT)

Fibre Saddle GOFNS



GOFNS-13-187

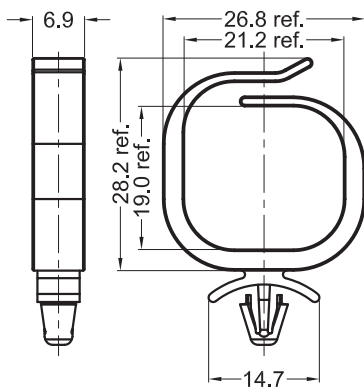


Fig.1

GOFNS-13-250

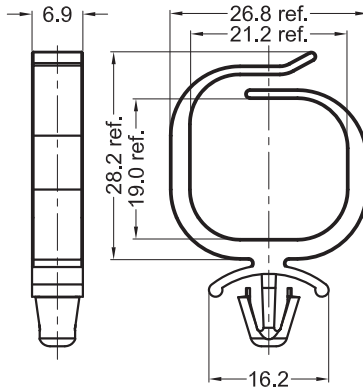


Fig.2

GOFNS-16-S307

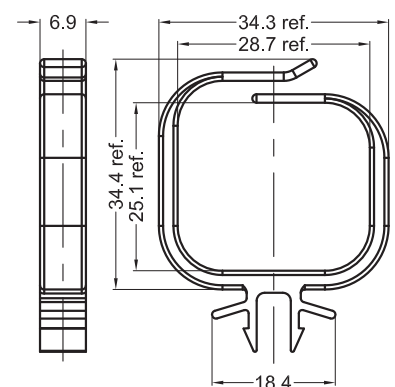


Fig.3

Sizes in mm

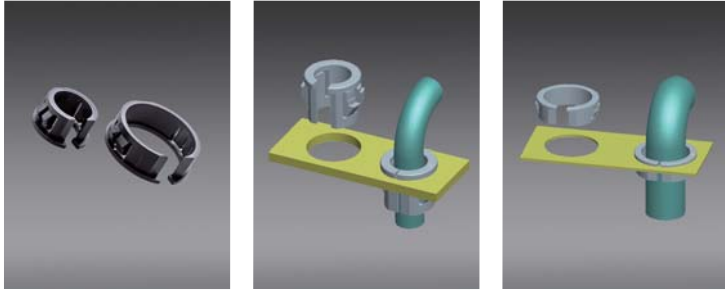
P/N.	Article No.	Cross-Ref.	Material	Color	Hole	Panel Thickness	FIG.	Packing Unit
61067	GOFNS-13-187-01	OFNS-13-187-01	PA66 UL94V2	Natural	4.75±0.08	0.8-2.0	1	500
61073	GOFNS-13-187-19	OFNS-13-187-19	PA66 UL94V0	Natural	4.75±0.08	0.8-2.0	1	500
61068	GOFNS-13-250-01	OFNS-13-250-01	PA66 UL94V2	Natural	6.35±0.08	0.8-2.0	2	500
61074	GOFNS-13-250-19	OFNS-13-250-19	PA66 UL94V0	Natural	6.35±0.08	0.8-2.0	2	500
60802	GOFNS-16-S307-01	OFNS-16-S307-01	PA66 UL94V2	Natural	□7.8±0.08	0.8-2.0	3	500
60425	GOFNS-16-S307-19	OFNS-16-S307-19	PA66 UL94V0	Natural	□7.8±0.08	0.8-2.0	3	500

Material: PA66 UL94V2 (GMS-01); PA66 UL94V0 (GMS-02)



BUSHINGS AND BEARINGS

Open Bushes GPGSB



GPGSB

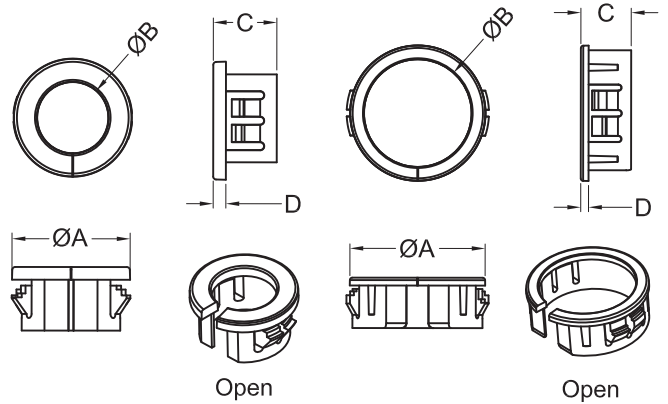


Fig.1

Fig.2

Sizes in mm

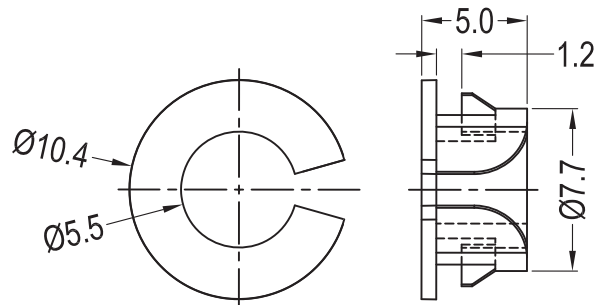
P/N.	Article No.	Cross-Ref.	Material	Color	A	B	C	D	Hole	Panel Thickness	FIG.	Packing Unit
60705	GPGSB-0609A	PGSB-0609A	PA66 UL94V2	Black	11.4	6.6	6.5	1.3	9.5±0.08	0.7-1.7	1	1000
60706	GPGSB-1A	PGSB-1A	PA66 UL94V2	Black	10.7	6.7	9.9	1.3	9.5±0.08	0.8-3.2	1	1000
60707	GPGSB-2A	PGSB-2A	PA66 UL94V2	Black	12.7	7.9	10.3	1.6	11.1±0.08	0.8-3.2	1	1000
60708	GPGSB-1013A	PGSB-1013A	PA66 UL94V2	Black	14.9	9.0	10.5	1.5	13.0±0.08	0.8-3.5	1	1000
60709	GPGSB-1316A	PGSB-1316A	PA66 UL94V2	Black	18.0	10.5	10.5	1.6	16.0±0.08	1.2-3.5	1	1000
60710	GPGSB-1519A	PGSB-1519A	PA66 UL94V2	Black	20.6	14.5	11.0	1.3	19.0±0.08	1.2-3.3	1	1000
60711	GPGSB-4A	PGSB-4A	PA66 UL94V2	Black	26.6	20.6	10.3	1.6	25.4±0.08	0.8-3.2	2	500
60712	GPGSB-5A	PGSB-5A	PA66 UL94V2	Black	29.4	22.2	10.3	1.6	27.8±0.08	0.8-3.2	2	500
60713	GPGSB-6A	PGSB-6A	PA66 UL94V2	Black	34.1	26.6	10.3	1.6	31.8±0.08	0.8-3.2	2	500
60714	GPGSB-7A	PGSB-7A	PA66 UL94V2	Black	37.3	29.7	10.3	1.6	34.9±0.08	0.8-3.2	2	500
60715	GPGSB-8A	PGSB-8A	PA66 UL94V2	Black	40.1	31.7	10.7	1.6	38.1±0.08	0.8-3.2	2	500

Material: PA66 UL94V2 (GMS-01)

Open Bushes GPGSA-0407A



GPGSA-0407A



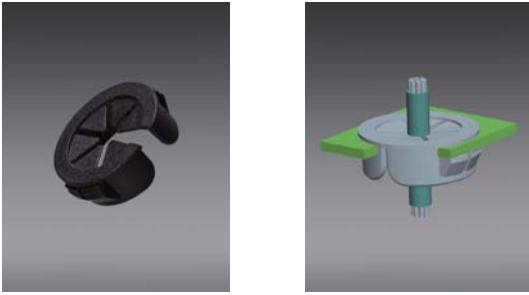
Sizes in mm

P/N.	Article No.	Cross-Ref.	Material	Color	Hole	Panel Thickness	Packing Unit
60621	GPGSA-0407A	PGSA-0407A	PA66 UL94V2	Black	7.4-7.7	1.1	1000

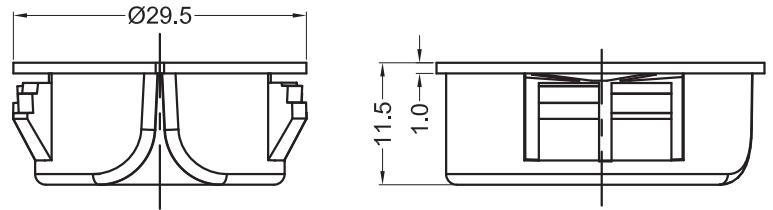
Material: PA66 UL94V2 (GMS-01)

BUSHINGS AND BEARINGS

Open Bushes GPGSC



GPGSC



Sizes in mm

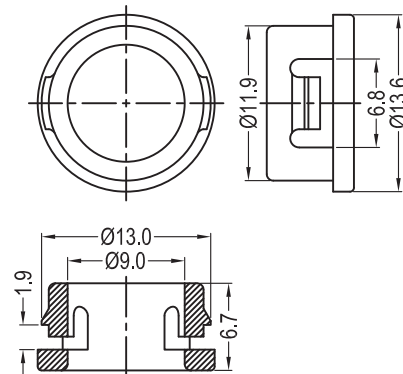
P/N.	Article No.	Cross-Ref.	Material	Color	Hole	Panel Thickness	Packing Unit
60983	GPGSC-2128A	PGSC-2128A	PA66 UL94V2	Black	27.8-28.0	0.8-3.0	500

Material: PA66 UL94V2 (GMS-01)

Closed Bushes GPGSA-0512



GPGSA-0512

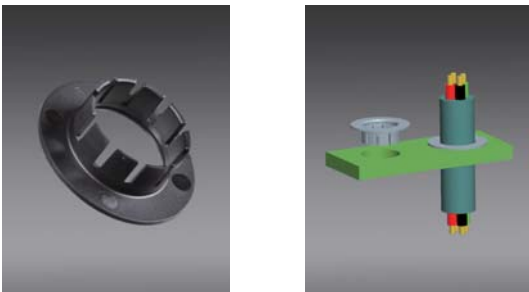


Sizes in mm

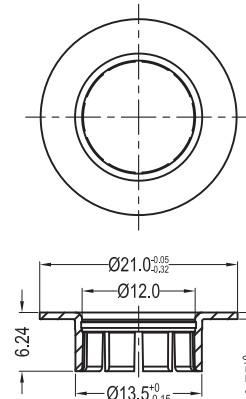
P/N.	Article No.	Cross-Ref.	Material	Color	Hole	Panel Thickness	Packing Unit
60656	GPGSA-0512	PGSB-9	PA66 UL94V2	Black	12.0-12.1	1.8	1000

Material: PA66 UL94V2 (GMS-01)

Closed Bushes G3037372



G3037372



Sizes in mm

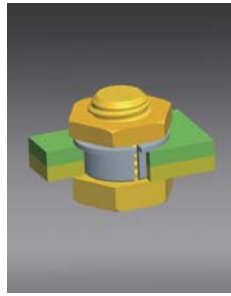
P/N.	Article No.	Material	Color	Packing Unit
10057	G3037372	PA66 UL94HB	Black	1000

Material: PA66 UL94HB (GMS-34)

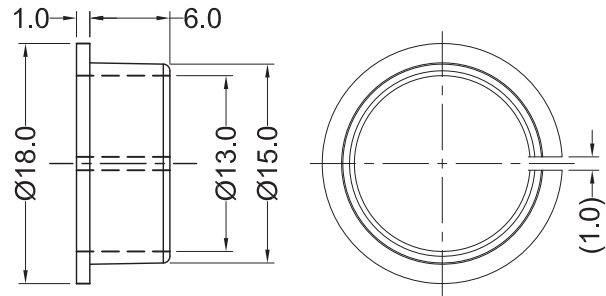


BUSHINGS AND BEARINGS

Bushing and Bearings G2075477



G2075477

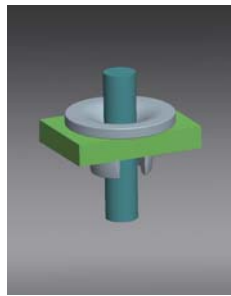


Sizes in mm

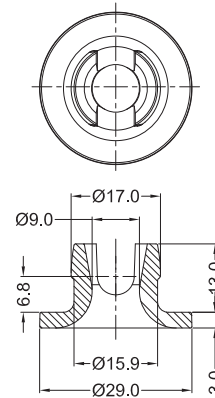
P/N.	Article No.	Material	Color	Packing Unit
10093	G2075477	PA6+GF UL94HB	Natural	1000

Material: PA6+GF UL94HB (GMS-69)

Centering Bushing G156022400



G156022400



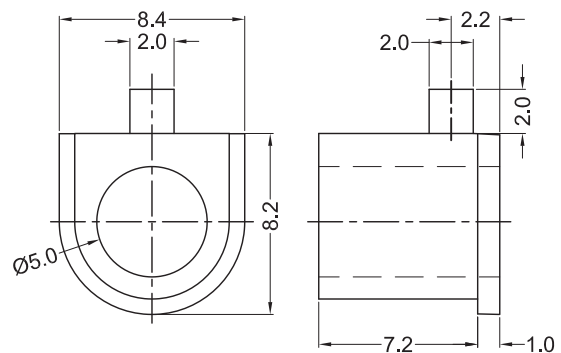
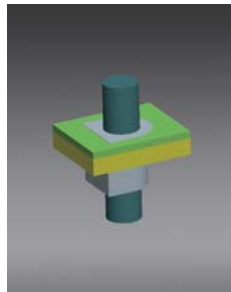
Sizes in mm

P/N.	Article No.	Material	Color	Packing Unit
10069	G156022400	POM UL94HB	Natural	500

Material: POM UL94HB (GMS-52)

Special Bushing Bushing 700-000500-001

Bushing 700-000500-001



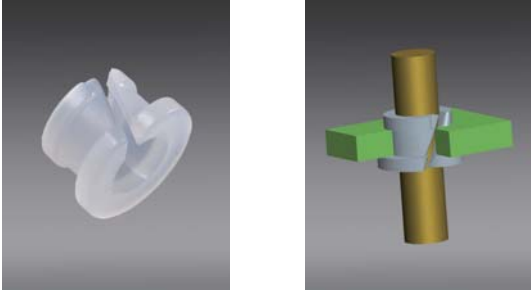
Sizes in mm

P/N.	Article No.	Material	Color	Packing Unit
61060	Bushing 700-000500-001	POM UL94HB	Black	1000

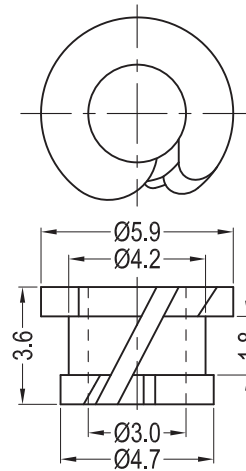
Material: POM UL94HB (GMS-16)

BUSHINGS AND BEARINGS

Plate Bearing G164001000002



G164001000002

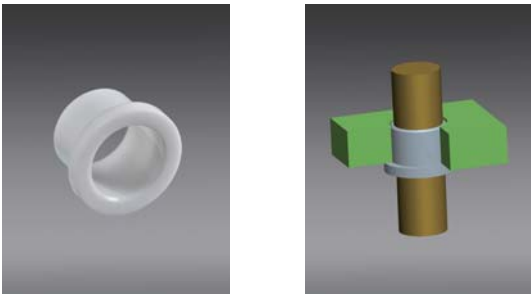


Sizes in mm

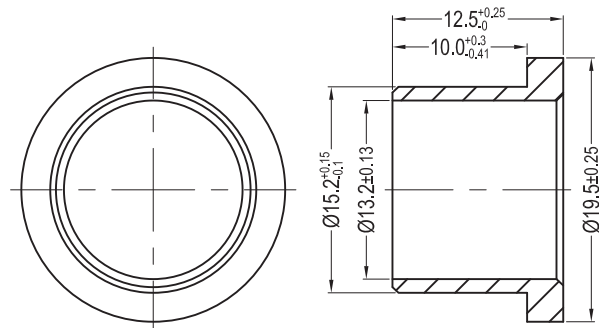
P/N.	Article No.	Cross-Ref.	Material	Color	Hole	Panel Thickness	Packing Unit
30291	G164001000002	164001000002	PA66 UL94V2	Natural	4.2±0.08	1.5-1.8	1000

Material: PA66 UL94V2 (GMS-01)

Slide Bearing Plastic GL0218997AA06



GL0218997AA06

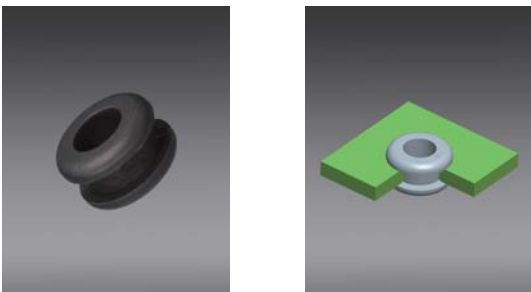


Sizes in mm

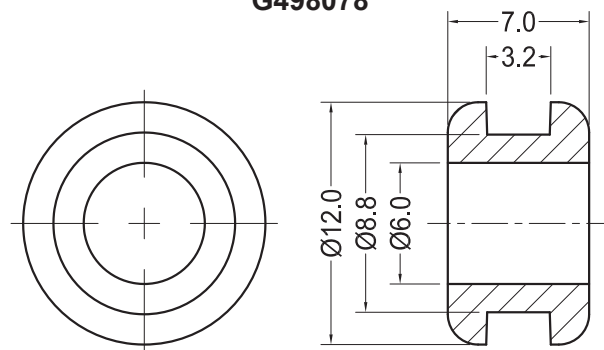
P/N.	Article No.	Material	Color	Packing Unit
10063	GL0218997AA06	POM UL94HB	White	1000

Material: POM UL94HB (GMS-39)

Grommets G498078



G498078



Sizes in mm

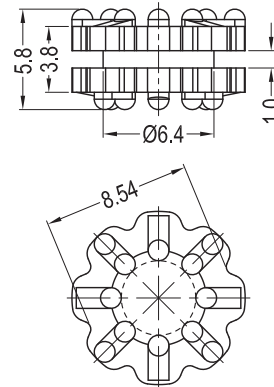
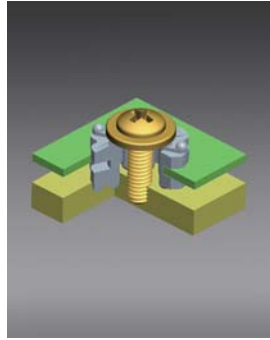
P/N.	Article No.	Cross-Ref.	Material	Color	Hole	Panel Thickness	Packing Unit
61348	G498078	498078	EPDM 60A	Black	9.0±0.15	3.0±0.15	2000



BUSHINGS AND BEARINGS

Vibration Grommet GAEB7425-A

GAEB7425-A



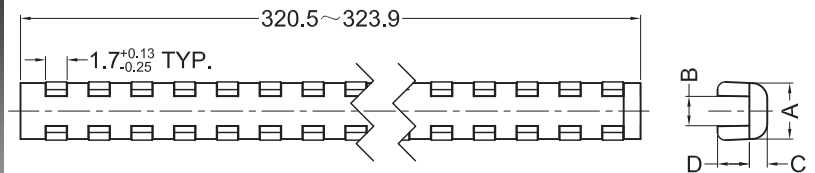
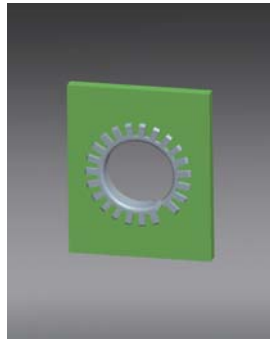
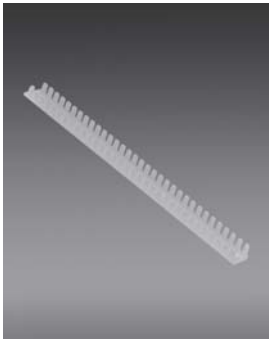
Sizes in mm

P/N.	Article No.	Material	Color	Packing Unit
60224	GAEB7425-A	TPU	Natural	1000

Material: TPU (GMS-58)

Molded Grommet Strip GMGS

GMGS



Sizes in mm

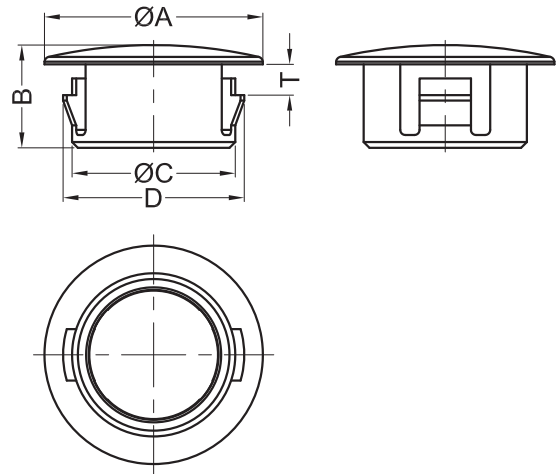
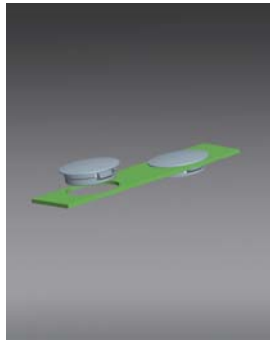
P/N.	Article No.	Cross-Ref.	Material	Color	A	B	C	D	Hole	Panel Thickness	Packing Unit
60976	GMGS-1-01	MGS-1-01	PA66 UL94V2	Natural	3.8	1.4	1.4	2.5	25.4	0.4-1.3	500
60977	GMGS-2-01	MGS-2-01	PA66 UL94V2	Natural	4.4	2.3	1.4	2.5	25.4	1.3-2.2	500
60978	GMGS-4-01	MGS-4-01	PA66 UL94V2	Natural	8.3	5.0	1.8	4.1	25.4	3.3-4.9	250

Material: PA66 UL94V2 (GMS-01)

BUSHINGS AND BEARINGS

Push Grommet Hole Plug GPGM

GPGM



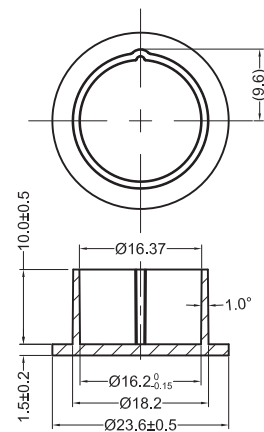
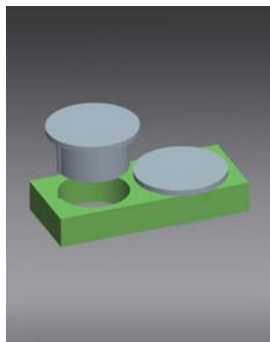
Sizes in mm

P/N.	Article No.	Cross-Ref.	Material	Color	A	B	C	D	T	Hole	Panel Thickness	Packing Unit
61023	GPGM-4	PGM-4	PA66 UL94V2	Black	6.0	5.2	4.7	5.9	2.0	4.8	1.7	1000
61025	GPGM-4-BV0	PGM-4-19	PA66 UL94V0	Black	6.0	5.2	4.7	5.9	2.0	4.8	1.7	1000
61024	GPGM-10	PGM-10	PA66 UL94V2	Black	13.0	6.0	9.5	11.3	1.9	9.8	1.4	1000
60948	GPGM-13	PGM-13	PA66 UL94V2	Black	17.0	8.0	12.7	14.1	2.4	12.85	2.1	1000
60964	GPGM-15	PGM-15	PA66 UL94V2	Black	22.6	6.35	19.0	20.6	2.0	19.84	1.57	1000
61138	GPGM-30	PGM-30	PA66 UL94V2	Black	34.0	13.0	30.0	33.0	4.2	30.55	3.2	500
61132	GPGM-30-BV0	PGM-30-19	PA66 UL94V0	Black	34.0	13.0	30.0	33.0	4.2	30.55	3.2	500

Material: PA66 UL94V2 (GMS-01); PA66 UL94V0 (GMS-49)

Hole Plugs G272XW0012A

G272XW0012A



Sizes in mm

P/N.	Article No.	Material	Color	Packing Unit
10094	G272XW0012A	PVC	Natural	500

Material: PVC (GMS-68)



sales@sucatec.com



www.sucatec.com

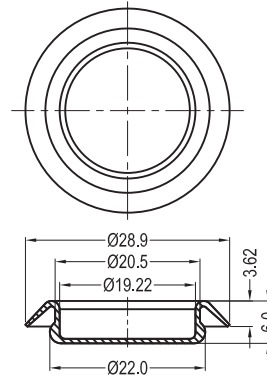
F

BUSHINGS AND BEARINGS

Push-In Plug GFQ1426



GFQ1426

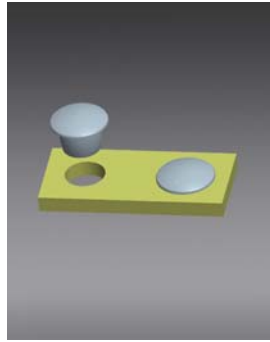


Sizes in mm

P/N.	Article No.	Material	Color	Packing Unit
60464	GFQ1426 FP384	PE UL94V2	White	1000

Material: PE UL94V2 (GMS-44)

Push-In Plug G054/G055



G054

G055

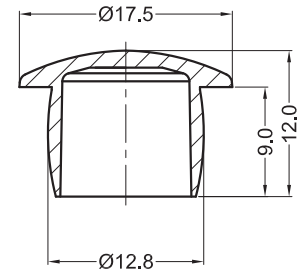
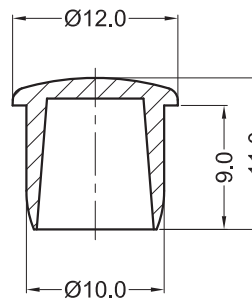


Fig.1

Fig.2

Hole: M11 Fits in mortise or tube
M11x1 Fits in gas thread
Fits in mortise or tube: $\varnothing 9.8$

Hole: M14 Fits in mortise or tube
M14x1.5 Fits in gas thread

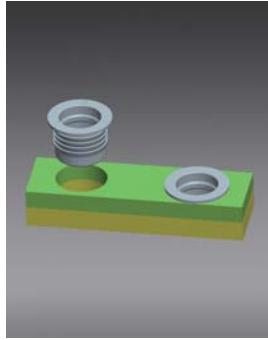
Sizes in mm

P/N.	Article No.	Cross-Ref.	Material	Color	FIG.	Packing Unit
61238	G054 1002 600 03	054100260003	LDPE	White RAL 9010	1	1000
60799	G055 0125 113 03	005012511303	LDPE	White	2	1000
60809	G055 0125 220 03	005012522003	LDPE	Black	2	1000

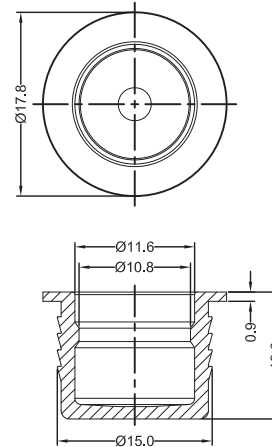
Material: LDPE (GMS-24)

BUSHINGS AND BEARINGS

Push-In Plug G1512



G1512

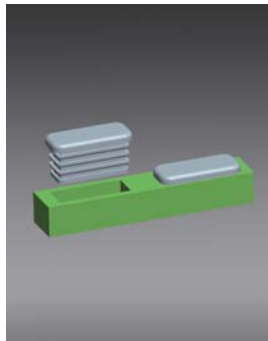


Sizes in mm

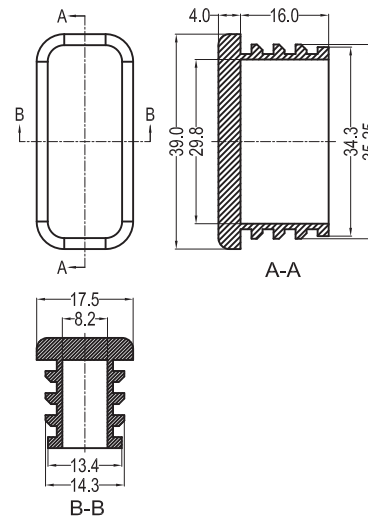
P/N.	Article No.	Material	Color	Hole	Panel Thickness	Packing Unit
61243	G1512	PA66 UL94V2	Black	14.27±0.08	11.9 Min.	1000

Material: PA66 UL94V2 (GMS-01)

Push-In Plug GOT-0010



GOT-0010



Sizes in mm

P/N.	Article No.	Material	Color	Packing Unit
60014	GOT-0010	PP UL94HB	White	200

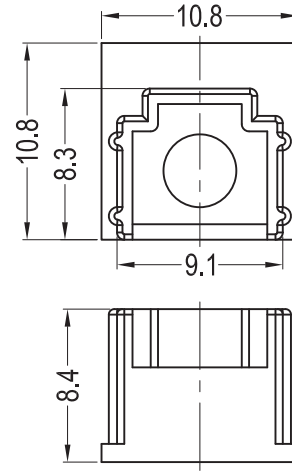
Material: PP UL94HB (GMS-26)

F

RJ CONNECTOR PLUG GCRJ-11



GCRJ-11

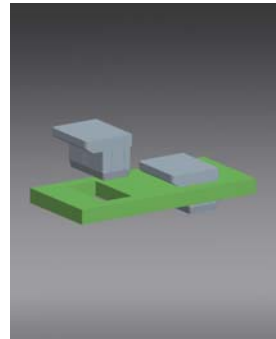


Sizes in mm

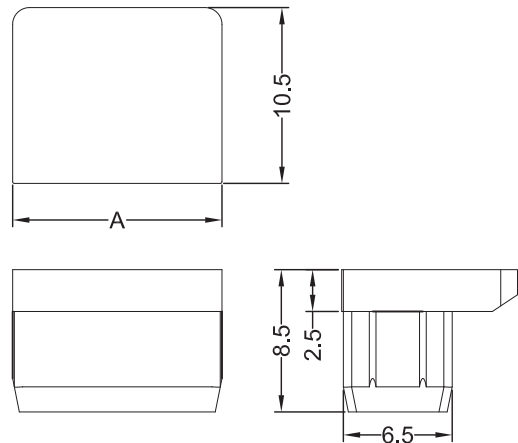
P/N.	Article No.	Material	Color	Packing Unit
60355	GCRJ-11	PE UL94V2	Black	1000

Material: PE UL94V2 (GMS-44)

RJ CONNECTOR PLUG GCP-RJ



GCP-RJ



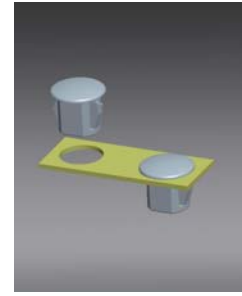
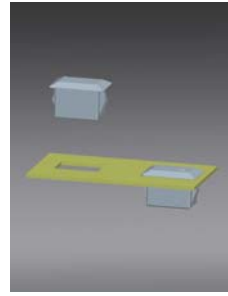
Sizes in mm

P/N.	Article No.	Cross-Ref.	Material	Color	A	Packing Unit
61133	GCP-RJ11	CP-RJ11	Silicone Rubber, 70 Shore A	Black	10.5	1000
61339	GCP-RJ11-427	CP-RJ11-427	EPDM Rubber, 70 Shore A	Black	10.5	1000
61340	GCP-RJ45	CP-RJ45	Silicone Rubber, 70 Shore A	Black	12.5	1000
61341	GCP-RJ45-427	CP-RJ45-427	EPDM Rubber, 70 Shore A	Black	12.5	1000

Material: Silicone Rubber, EPDM Rubber

F

SC/ST Plug GBPE-SC/-ST



GBPE-ST

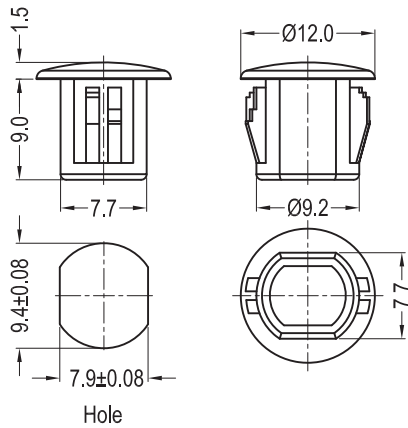


Fig.1

GBPE-SC

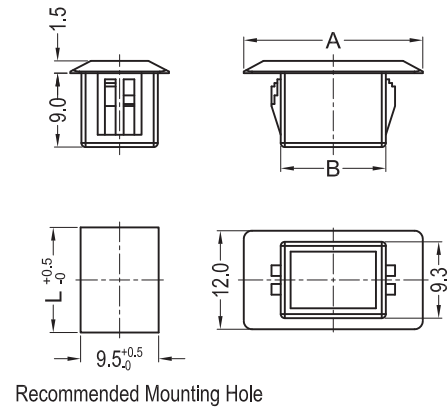


Fig.2

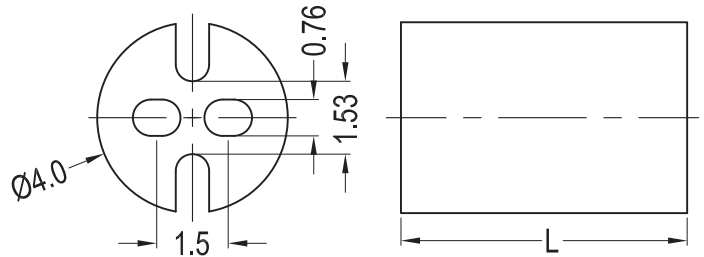
Sizes in mm

P/N.	Article No.	Cross-Ref.	Material	Color	A	B	L	Hole	Panel Thickness	FIG.	Packing Unit
60610	GBPE-ST-1-01	BPE-ST-1-01	PA66 UL94V2	Black	-	-	-	9.5x7.9	1.1, 1.5, 2.5, 3.5	1	1000
60608	GBPE-SC-1-01	BPE-SC-1-01	PA66 UL94V2	Black	22.0	12.8	13.0	9.5x13.0	1.1, 1.5, 2.5, 3.5	2	1000
60793	GBPE-SC-2-01	BPE-SC-2-01	PA66 UL94V2	Black	16.0	12.8	13.0	9.5x13.0	1.1, 1.5, 2.5, 3.5	2	1000
60609	GBPE-SC-3-01	BPE-SC-3-01	PA66 UL94V2	Black	35.0	25.8	26.0	9.5x26.0	1.1, 1.5, 2.5, 3.5	2	1000

Material: PA66 UL94V2 (GMS-01)

LED Spacer Type 1 GLEDS1

GLEDS1



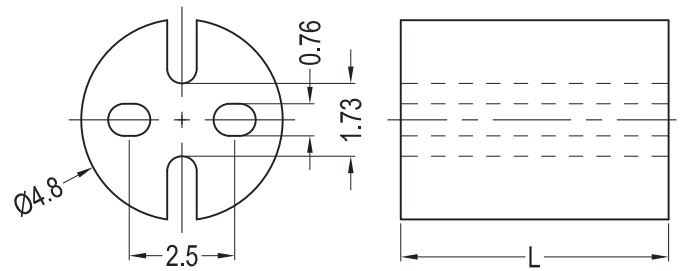
Sizes in mm

<u>P/N.</u>	<u>Article No.</u>	<u>Cross-Ref.</u>	<u>Material</u>	<u>Color</u>	<u>L</u>	<u>Fits LED</u>	<u>Packing Unit</u>
80516	GLEDS1-3-26	LEDS1-3-26	PVC Flame Retardant	Black	4.8	T-1 (3mm)	1000
80517	GLEDS1-4-26	LEDS1-4-26	PVC Flame Retardant	Black	6.4	T-1 (3mm)	1000
80582	GLEDS1-6-26	LEDS1-6-26	PVC Flame Retardant	Black	9.5	T-1 (3mm)	1000
80518	GLEDS1-8-26	LEDS1-8-26	PVC Flame Retardant	Black	12.7	T-1 (3mm)	1000
80519	GLEDS1-10-26	LEDS1-10-26	PVC Flame Retardant	Black	15.9	T-1 (3mm)	1000
80520	GLEDS1-12-26	LEDS1-12-26	PVC Flame Retardant	Black	19.1	T-1 (3mm)	1000
80521	GLEDS1-14-26	LEDS1-14-26	PVC Flame Retardant	Black	22.2	T-1 (3mm)	1000

Material: PVC FLAME RETARDANT (GMS-40)

LED Spacer Type 1 GLEDS2

GLEDS2



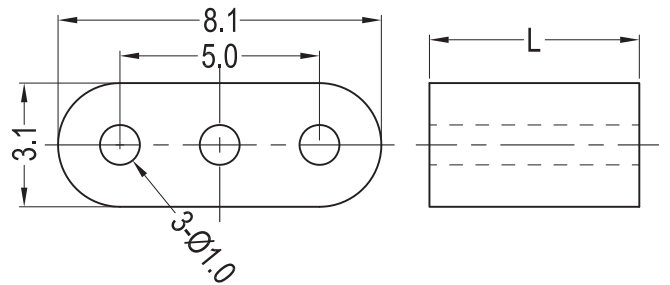
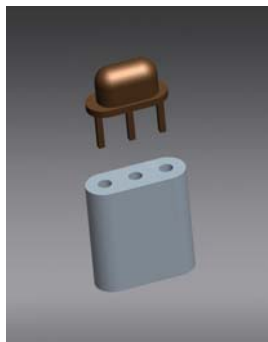
Sizes in mm

P/N.	Article No.	Cross-Ref.	Material	Color	L	Fits LED	Packing Unit
80391	GLEDS2-4-26	LEDS2-4-26	PVC Flame Retardant	Black	6.4	T-1 (3mm)	1000
80392	GLEDS2-6-26	LEDS2-6-26	PVC Flame Retardant	Black	9.5	T-1 (3mm)	1000
80393	GLEDS2-8-26	LEDS2-8-26	PVC Flame Retardant	Black	12.7	T-1 (3mm)	1000
80394	GLEDS2-10-26	LEDS2-10-26	PVC Flame Retardant	Black	15.9	T-1 (3mm)	1000
80395	GLEDS2-12-26	LEDS2-12-26	PVC Flame Retardant	Black	19.1	T-1 (3mm)	1000

Material: PVC FLAME RETARDANT (GMS-40)

LED Spacer Type 1 GLEDS3

GLEDS3



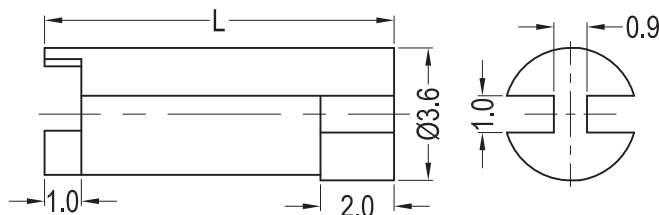
Sizes in mm

P/N.	Article No.	Cross-Ref.	Material	Color	L	Fits LED	Packing Unit
80356	GLEDS3-3-26	LEDS3-3-26	PVC Flame Retardant	Black	4.8	T-1 3/4 (5mm)	1000
80357	GLEDS3-4-26	LEDS3-4-26	PVC Flame Retardant	Black	6.4	T-1 3/4 (5mm)	1000
80358	GLEDS3-6-26	LEDS3-6-26	PVC Flame Retardant	Black	9.5	T-1 3/4 (5mm)	1000
80359	GLEDS3-8-26	LEDS3-8-26	PVC Flame Retardant	Black	12.7	T-1 3/4 (5mm)	1000
80360	GLEDS3-10-26	LEDS3-10-26	PVC Flame Retardant	Black	15.9	T-1 3/4 (5mm)	1000
80361	GLEDS3-12-26	LEDS3-12-26	PVC Flame Retardant	Black	19.1	T-1 3/4 (5mm)	1000

Material: PVC FLAME RETARDANT (GMS-40)

LED Spacer Type 2 GLEDS1E

GLEDS1E



Sizes in mm

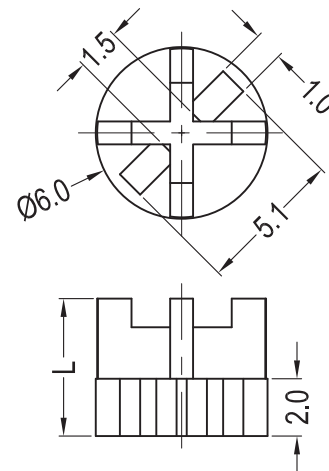
P/N.	Article No.	Cross-Ref.	Material	Color	L	Fits LED	Packing Unit
80355	GLEDS1E-3-01	LEDS1E-3-01	PA66 UL94V2	Natural	4.8	T-1 (3mm)	1000
80369	GLEDS1E-4-01	LEDS1E-4-01	PA66 UL94V2	Natural	6.4	T-1 (3mm)	1000
80370	GLEDS1E-6-01	LEDS1E-6-01	PA66 UL94V2	Natural	9.5	T-1 (3mm)	1000
80371	GLEDS1E-8-01	LEDS1E-8-01	PA66 UL94V2	Natural	12.7	T-1 (3mm)	1000
80372	GLEDS1E-10-01	LEDS1E-10-01	PA66 UL94V2	Natural	15.9	T-1 (3mm)	1000
80373	GLEDS1E-12-01	LEDS1E-12-01	PA66 UL94V2	Natural	19.1	T-1 (3mm)	1000
80374	GLEDS1E-14-01	LEDS1E-14-01	PA66 UL94V2	Natural	22.2	T-1 (3mm)	1000
80375	GLEDS1E-16-01	LEDS1E-16-01	PA66 UL94V2	Natural	25.4	T-1 (3mm)	1000
80596	GLEDS1E-3-19	LEDS1E-3-19	PA66 UL94V0	Natural	4.8	T-1 (3mm)	1000
80597	GLEDS1E-4-19	LEDS1E-4-19	PA66 UL94V0	Natural	6.4	T-1 (3mm)	1000
80598	GLEDS1E-6-19	LEDS1E-6-19	PA66 UL94V0	Natural	9.5	T-1 (3mm)	1000
80599	GLEDS1E-8-19	LEDS1E-8-19	PA66 UL94V0	Natural	12.7	T-1 (3mm)	1000
80600	GLEDS1E-10-19	LEDS1E-10-19	PA66 UL94V0	Natural	15.9	T-1 (3mm)	1000
80601	GLEDS1E-12-19	LEDS1E-12-19	PA66 UL94V0	Natural	19.1	T-1 (3mm)	1000
80602	GLEDS1E-14-19	LEDS1E-14-19	PA66 UL94V0	Natural	22.2	T-1 (3mm)	1000
80603	GLEDS1E-16-19	LEDS1E-16-19	PA66 UL94V0	Natural	25.4	T-1 (3mm)	1000

Material: PA66 UL94V2 (GMS-01); PA66 UL94V0 (GMS-02)

LED Spacer Type 2 GLEDS2E



GLEDS2E



Sizes in mm

P/N.	Article No.	Cross-Ref.	Material	Color	L	Fits LED	Packing Unit
80279	GLEDS2E-3-01	LEDS2E-3-01	PA66 UL94V2	Natural	4.8	T-1 3/4 (5mm)	1000
80280	GLEDS2E-4-01	LEDS2E-4-01	PA66 UL94V2	Natural	6.5	T-1 3/4 (5mm)	1000
80281	GLEDS2E-6-01	LEDS2E-6-01	PA66 UL94V2	Natural	9.5	T-1 3/4 (5mm)	1000
80282	GLEDS2E-8-01	LEDS2E-8-01	PA66 UL94V2	Natural	12.7	T-1 3/4 (5mm)	1000
80283	GLEDS2E-10-01	LEDS2E-10-01	PA66 UL94V2	Natural	15.9	T-1 3/4 (5mm)	1000
80284	GLEDS2E-12-01	LEDS2E-12-01	PA66 UL94V2	Natural	19.1	T-1 3/4 (5mm)	1000
80285	GLEDS2E-14-01	LEDS2E-14-01	PA66 UL94V2	Natural	22.2	T-1 3/4 (5mm)	1000
80286	GLEDS2E-16-01	LEDS2E-16-01	PA66 UL94V2	Natural	25.4	T-1 3/4 (5mm)	1000
80588	GLEDS2E-3-19	LEDS2E-3-19	PA66 UL94V0	Natural	4.8	T-1 3/4 (5mm)	1000
80589	GLEDS2E-4-19	LEDS2E-4-19	PA66 UL94V0	Natural	6.5	T-1 3/4 (5mm)	1000
80590	GLEDS2E-6-19	LEDS2E-6-19	PA66 UL94V0	Natural	9.5	T-1 3/4 (5mm)	1000
80591	GLEDS2E-8-19	LEDS2E-8-19	PA66 UL94V0	Natural	12.7	T-1 3/4 (5mm)	1000
80592	GLEDS2E-10-19	LEDS2E-10-19	PA66 UL94V0	Natural	15.9	T-1 3/4 (5mm)	1000
80593	GLEDS2E-12-19	LEDS2E-12-19	PA66 UL94V0	Natural	19.1	T-1 3/4 (5mm)	1000
80594	GLEDS2E-14-19	LEDS2E-14-19	PA66 UL94V0	Natural	22.2	T-1 3/4 (5mm)	1000
80595	GLEDS2E-16-19	LEDS2E-16-19	PA66 UL94V0	Natural	25.4	T-1 3/4 (5mm)	1000

Material: PA66 UL94V2 (GMS-01); PA66 UL94V0 (GMS-02)

LED Spacer Type 3 GLEDS2M

GLEDS2M

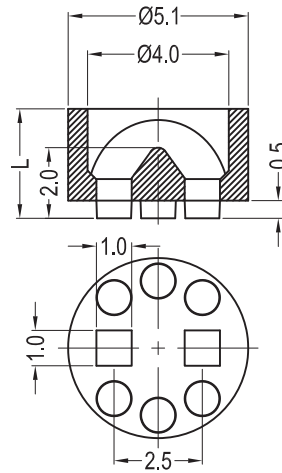


Fig.1

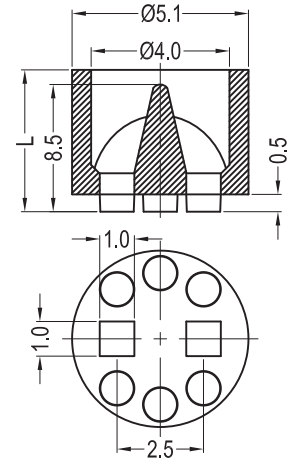


Fig.2

Sizes in mm

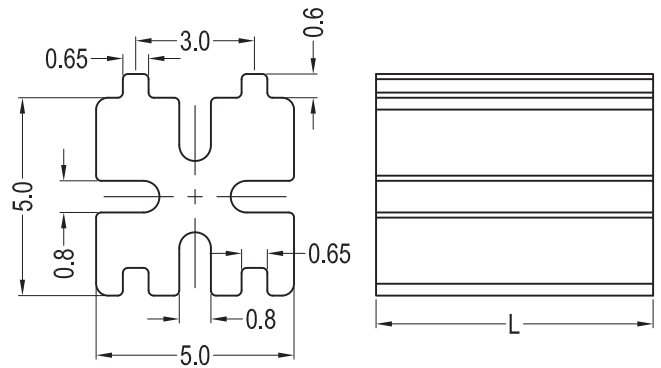
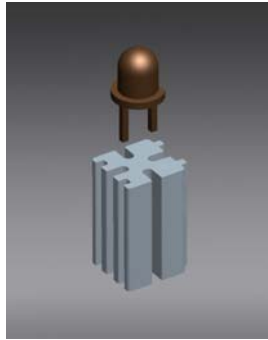
P/N.	Article No.	Cross-Ref.	Material	Color	L	Fits LED	FIG.	Packing Unit
80380	GLEDS2M-120-01	LEDS2M-120-01	PA66 UL94V2	Natural	3.1	T-1 3/4 (5mm)	1	1000
80384	GLEDS2M-140-01	LEDS2M-140-01	PA66 UL94V2	Natural	3.6	T-1 3/4 (5mm)	1	1000
80385	GLEDS2M-160-01	LEDS2M-160-01	PA66 UL94V2	Natural	4.1	T-1 3/4 (5mm)	1	1000
80383	GLEDS2M-180-01	LEDS2M-180-01	PA66 UL94V2	Natural	4.5	T-1 3/4 (5mm)	1	1000
80386	GLEDS2M-200-01	LEDS2M-200-01	PA66 UL94V2	Natural	5.1	T-1 3/4 (5mm)	1	1000
80387	GLEDS2M-220-01	LEDS2M-220-01	PA66 UL94V2	Natural	5.6	T-1 3/4 (5mm)	1	1000
80388	GLEDS2M-240-01	LEDS2M-240-01	PA66 UL94V2	Natural	6.1	T-1 3/4 (5mm)	1	1000
80636	GLEDS2M-400-01	LEDS2M-400-01	PA66 UL94V2	Natural	10.2	T-1 3/4 (5mm)	2	1000

Material: PA66 UL94V2 (GMS-01)



Square LED Spacer GLED

GLED



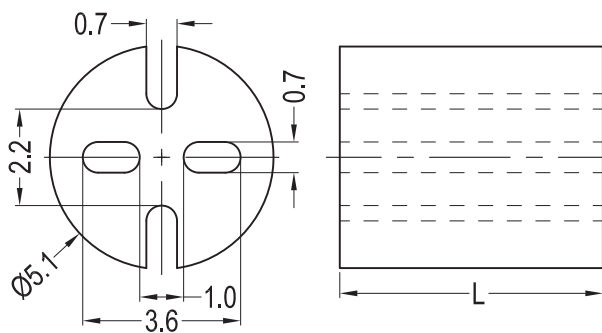
Sizes in mm

P/N.	Article No.	Material	Color	L	Fits LED	Packing Unit
80499	GLED-40W	PA6 UL94V2	White	4.0	T-1 (3mm)	1000
80263	GLED-70W	PA6 UL94V2	White	7.0	T-1 (3mm)	1000
80265	GLED-80W	PA6 UL94V2	White	8.0	T-1 (3mm)	1000
80586	GLED-80B	PA6 UL94V2	Black	8.0	T-1 (3mm)	1000
80261	GLED-90B	PA6 UL94V2	Black	9.0	T-1 (3mm)	1000
80514	GLED-100B	PA6 UL94V2	Black	10.0	T-1 (3mm)	1000
80500	GLED-40W-V0	PA66 UL94V0	White	4.0	T-1 (3mm)	1000
80264	GLED-70W-V0	PA66 UL94V0	White	7.0	T-1 (3mm)	1000
80266	GLED-80W-V0	PA66 UL94V0	White	8.0	T-1 (3mm)	1000
80585	GLED-80B-V0	PA66 UL94V0	Black	8.0	T-1 (3mm)	1000
80262	GLED-90B-V0	PA66 UL94V0	Black	9.0	T-1 (3mm)	1000
80515	GLED-100B-V0	PA66 UL94V0	Black	10.0	T-1 (3mm)	1000

Material: PA6 UL94V2 (GMS-10); PA66 UL94V0 (GMS-02)

High Temperature Metric LED Spacer GLEDM-1

GLEDM-1



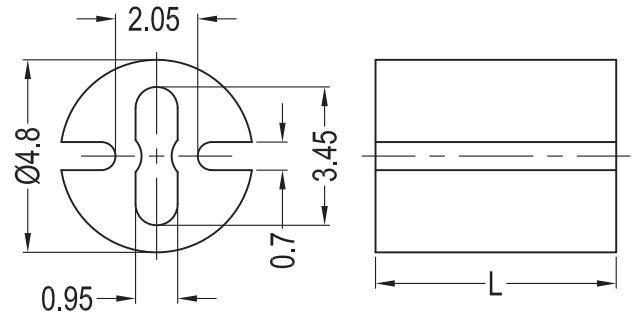
Sizes in mm

P/N.	Article No.	Cross-Ref.	Material	Color	L	Fits LED	Packing Unit
80555	GLEDM-1-2	LEDM-1-02	PVC Flame Retardant	Black	2.0	T-1 3/4 (5mm)	1000
80379	GLEDM-1-3	LEDM-1-03	PVC Flame Retardant	Black	3.0	T-1 3/4 (5mm)	1000
80556	GLEDM-1-4	LEDM-1-04	PVC Flame Retardant	Black	4.0	T-1 3/4 (5mm)	1000
80557	GLEDM-1-5	LEDM-1-05	PVC Flame Retardant	Black	5.0	T-1 3/4 (5mm)	1000
80558	GLEDM-1-6	LEDM-1-06	PVC Flame Retardant	Black	6.0	T-1 3/4 (5mm)	1000
80559	GLEDM-1-7	LEDM-1-07	PVC Flame Retardant	Black	7.0	T-1 3/4 (5mm)	1000
80560	GLEDM-1-8	LEDM-1-08	PVC Flame Retardant	Black	8.0	T-1 3/4 (5mm)	1000
80561	GLEDM-1-9	LEDM-1-09	PVC Flame Retardant	Black	9.0	T-1 3/4 (5mm)	1000
80562	GLEDM-1-10	LEDM-1-10	PVC Flame Retardant	Black	10.0	T-1 3/4 (5mm)	1000
80563	GLEDM-1-11	LEDM-1-11	PVC Flame Retardant	Black	11.0	T-1 3/4 (5mm)	1000
80564	GLEDM-1-12	LEDM-1-12	PVC Flame Retardant	Black	12.0	T-1 3/4 (5mm)	1000
80565	GLEDM-1-13	LEDM-1-13	PVC Flame Retardant	Black	13.0	T-1 3/4 (5mm)	1000
80566	GLEDM-1-14	LEDM-1-14	PVC Flame Retardant	Black	14.0	T-1 3/4 (5mm)	1000
80567	GLEDM-1-15	LEDM-1-15	PVC Flame Retardant	Black	15.0	T-1 3/4 (5mm)	1000
80568	GLEDM-1-16	LEDM-1-16	PVC Flame Retardant	Black	16.0	T-1 3/4 (5mm)	1000
80569	GLEDM-1-17	LEDM-1-17	PVC Flame Retardant	Black	17.0	T-1 3/4 (5mm)	1000
80570	GLEDM-1-18	LEDM-1-18	PVC Flame Retardant	Black	18.0	T-1 3/4 (5mm)	1000
80571	GLEDM-1-19	LEDM-1-19	PVC Flame Retardant	Black	19.0	T-1 3/4 (5mm)	1000
80572	GLEDM-1-20	LEDM-1-20	PVC Flame Retardant	Black	20.0	T-1 3/4 (5mm)	1000
80573	GLEDM-1-21	LEDM-1-21	PVC Flame Retardant	Black	21.0	T-1 3/4 (5mm)	1000
80574	GLEDM-1-22	LEDM-1-22	PVC Flame Retardant	Black	22.0	T-1 3/4 (5mm)	1000
80575	GLEDM-1-23	LEDM-1-23	PVC Flame Retardant	Black	23.0	T-1 3/4 (5mm)	1000
80576	GLEDM-1-24	LEDM-1-24	PVC Flame Retardant	Black	24.0	T-1 3/4 (5mm)	1000
80390	GLEDM-1-25	LEDM-1-25	PVC Flame Retardant	Black	25.0	T-1 3/4 (5mm)	1000
80577	GLEDM-1-26	LEDM-1-26	PVC Flame Retardant	Black	26.0	T-1 3/4 (5mm)	1000
80578	GLEDM-1-27	LEDM-1-27	PVC Flame Retardant	Black	27.0	T-1 3/4 (5mm)	1000
80579	GLEDM-1-28	LEDM-1-28	PVC Flame Retardant	Black	28.0	T-1 3/4 (5mm)	1000
80580	GLEDM-1-29	LEDM-1-29	PVC Flame Retardant	Black	29.0	T-1 3/4 (5mm)	1000
80534	GLEDM-1-30	LEDM-1-30	PVC Flame Retardant	Black	30.0	T-1 3/4 (5mm)	1000

Material: PVC FLAME RETARDANT (GMS-40)

High Temperature Metric LED Spacer GLEDM-2

GLEDM-2



Sizes in mm

P/N.	Article No.	Cross-Ref.	Material	Color	L	Fits LED	Packing Unit
80349	GLEDM-2-2	LEDM-2-02	PVC Flame Retardant	Black	2.0	T-1 (3mm)	1000
80377	GLEDM-2-3	LEDM-2-03	PVC Flame Retardant	Black	3.0	T-1 (3mm)	1000
80548	GLEDM-2-4	LEDM-2-04	PVC Flame Retardant	Black	4.0	T-1 (3mm)	1000
80376	GLEDM-2-5	LEDM-2-05	PVC Flame Retardant	Black	5.0	T-1 (3mm)	1000
80362	GLEDM-2-6	LEDM-2-06	PVC Flame Retardant	Black	6.0	T-1 (3mm)	1000
80378	GLEDM-2-7	LEDM-2-07	PVC Flame Retardant	Black	7.0	T-1 (3mm)	1000
80549	GLEDM-2-8	LEDM-2-08	PVC Flame Retardant	Black	8.0	T-1 (3mm)	1000
80550	GLEDM-2-9	LEDM-2-09	PVC Flame Retardant	Black	9.0	T-1 (3mm)	1000
80389	GLEDM-2-10	LEDM-2-10	PVC Flame Retardant	Black	10.0	T-1 (3mm)	1000
80551	GLEDM-2-11	LEDM-2-11	PVC Flame Retardant	Black	11.0	T-1 (3mm)	1000
80363	GLEDM-2-12	LEDM-2-12	PVC Flame Retardant	Black	12.0	T-1 (3mm)	1000
80381	GLEDM-2-13	LEDM-2-13	PVC Flame Retardant	Black	13.0	T-1 (3mm)	1000
80552	GLEDM-2-14	LEDM-2-14	PVC Flame Retardant	Black	14.0	T-1 (3mm)	1000
80553	GLEDM-2-15	LEDM-2-15	PVC Flame Retardant	Black	15.0	T-1 (3mm)	1000
80554	GLEDM-2-16	LEDM-2-16	PVC Flame Retardant	Black	16.0	T-1 (3mm)	1000
80260	GLEDM-2-17	LEDM-2-17	PVC Flame Retardant	Black	17.0	T-1 (3mm)	1000
80535	GLEDM-2-18	LEDM-2-18	PVC Flame Retardant	Black	18.0	T-1 (3mm)	1000
80536	GLEDM-2-19	LEDM-2-19	PVC Flame Retardant	Black	19.0	T-1 (3mm)	1000
80537	GLEDM-2-20	LEDM-2-20	PVC Flame Retardant	Black	20.0	T-1 (3mm)	1000
80538	GLEDM-2-21	LEDM-2-21	PVC Flame Retardant	Black	21.0	T-1 (3mm)	1000
80539	GLEDM-2-22	LEDM-2-22	PVC Flame Retardant	Black	22.0	T-1 (3mm)	1000
80540	GLEDM-2-23	LEDM-2-23	PVC Flame Retardant	Black	23.0	T-1 (3mm)	1000
80541	GLEDM-2-24	LEDM-2-24	PVC Flame Retardant	Black	24.0	T-1 (3mm)	1000
80542	GLEDM-2-25	LEDM-2-25	PVC Flame Retardant	Black	25.0	T-1 (3mm)	1000
80543	GLEDM-2-26	LEDM-2-26	PVC Flame Retardant	Black	26.0	T-1 (3mm)	1000
80544	GLEDM-2-27	LEDM-2-27	PVC Flame Retardant	Black	27.0	T-1 (3mm)	1000
80545	GLEDM-2-28	LEDM-2-28	PVC Flame Retardant	Black	28.0	T-1 (3mm)	1000
80546	GLEDM-2-29	LEDM-2-29	PVC Flame Retardant	Black	29.0	T-1 (3mm)	1000
80547	GLEDM-2-30	LEDM-2-30	PVC Flame Retardant	Black	30.0	T-1 (3mm)	1000

Material: PVC FLAME RETARDANT (GMS-40)

ROTARY DAMPER

Rotary Damper with Gear

DMP-A1/-A2



DMP-A1

DMP-A2

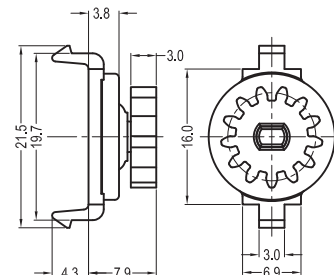
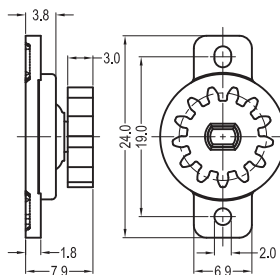


Fig.1

Fig.2

Sizes in mm

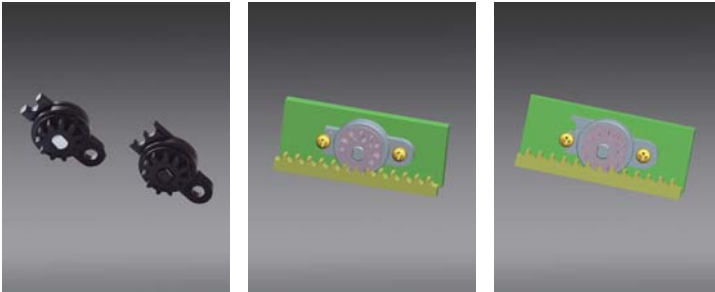
P/N.	Article No.	Body & Cap Material	Gear & Shaft Material	Color	Torque(gf.cm) @20RPM&23°C	Identification Paint Mark	FIG.	Packing Unit
30216	DMP-A1-25	PC UL94V2	POM UL94HB	Black	25 ± 8	White	1	500
30217	DMP-A1-40	PC UL94V2	POM UL94HB	Black	40 ± 10	Yellow	1	500
30218	DMP-A1-60	PC UL94V2	POM UL94HB	Black	60 ± 10	Purple	1	500
30219	DMP-A1-80	PC UL94V2	POM UL94HB	Black	80 ± 15	Green	1	500
30220	DMP-A1-120	PC UL94V2	POM UL94HB	Black	120 ± 15	Black	1	500
30221	DMP-A1-150	PC UL94V2	POM UL94HB	Black	150 ± 15	Red	1	500
30363	DMP-A1-180	PC UL94V2	POM UL94HB	Black	180 ± 20	Blue	1	500
30140	DMP-A2-25	PC UL94V2	POM UL94HB	Black	25 ± 8	White	2	500
30141	DMP-A2-40	PC UL94V2	POM UL94HB	Black	40 ± 10	Yellow	2	500
30142	DMP-A2-60	PC UL94V2	POM UL94HB	Black	60 ± 10	Purple	2	500
30143	DMP-A2-80	PC UL94V2	POM UL94HB	Black	80 ± 15	Green	2	500
30145	DMP-A2-120	PC UL94V2	POM UL94HB	Black	120 ± 15	Black	2	500
30146	DMP-A2-150	PC UL94V2	POM UL94HB	Black	150 ± 15	Red	2	500
30364	DMP-A2-180	PC UL94V2	POM UL94HB	Black	180 ± 20	Blue	2	500

Material: PC UL94V2 (GMS-41); POM UL94HB (GMS-16)

Type	Teeth Profile	Pressure Angle	Number of Teeth	Module	Durability
Standard Spur	Involute Full Depth	20°	13	0.8	30,000 cycles

ROTARY DAMPER

Rotary Damper with Gear DMP-B/-C



DMP-B

DMP-C

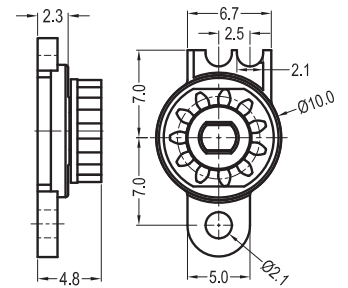
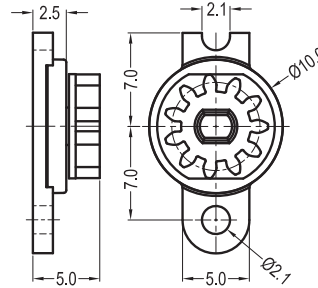


Fig.1

Fig.2

Sizes in mm

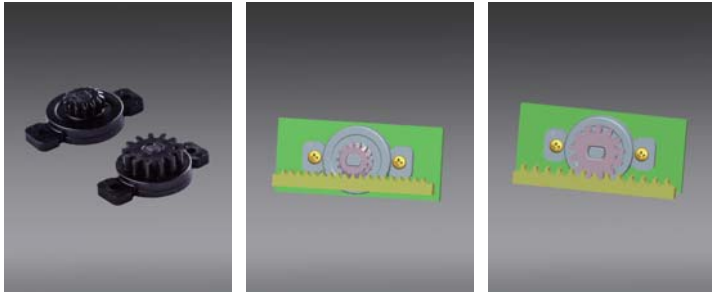
P/N.	Article No.	Body & Cap Material	Gear & Shaft Material	Color	Torque(gf.cm) @20RPM&23°C	Identification Paint Mark	FIG.	Packing Unit
30147	DMP-B-25	PC UL94V2	POM UL94HB	Black	25 ± 8	White	1	500
30148	DMP-B-40	PC UL94V2	POM UL94HB	Black	40 ± 10	Yellow	1	500
30149	DMP-B-60	PC UL94V2	POM UL94HB	Black	60 ± 10	Purple	1	500
30150	DMP-B-80	PC UL94V2	POM UL94HB	Black	80 ± 15	Green	1	500
30151	DMP-C-25	PC UL94V2	POM UL94HB	Black	25 ± 8	White	2	500
30152	DMP-C-40	PC UL94V2	POM UL94HB	Black	40 ± 10	Yellow	2	500
30153	DMP-C-60	PC UL94V2	POM UL94HB	Black	60 ± 10	Purple	2	500
30154	DMP-C-80	PC UL94V2	POM UL94HB	Black	80 ± 15	Green	2	500

Material: PC UL94V2 (GMS-41); POM UL94HB (GMS-16)

Type	Teeth Profile	Pressure Angle	Number of Teeth	Module	Durability
Standard Spur	Involute Full Depth	20°	11	0.6	30,000 cycles

ROTARY DAMPER

Rotary Damper with Gear DMP-D1/-D2



DMP-D1

DMP-D2

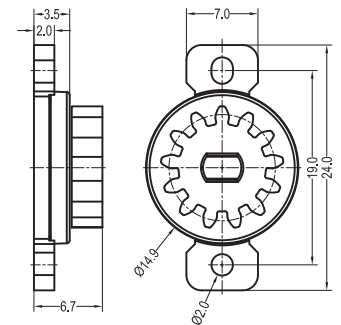
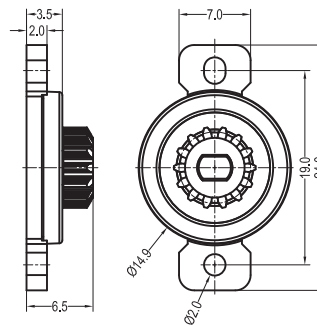


Fig.1

Fig.2

Sizes in mm

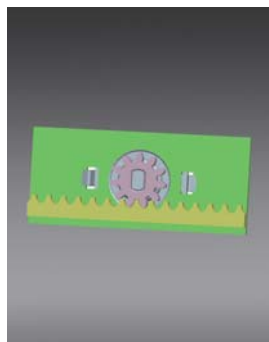
P/N.	Article No.	Body & Cap Material	Gear & Shaft Material	Color	Torque(gf.cm) @20RPM&23°C	Identification Paint Mark	FIG.	Packing Unit
30155	DMP-D1-25	PC UL94V2	POM UL94HB	Black	25 ± 8	White	1	500
30156	DMP-D1-40	PC UL94V2	POM UL94HB	Black	40 ± 10	Yellow	1	500
30157	DMP-D1-60	PC UL94V2	POM UL94HB	Black	60 ± 10	Purple	1	500
30158	DMP-D1-80	PC UL94V2	POM UL94HB	Black	80 ± 15	Green	1	500
30160	DMP-D1-120	PC UL94V2	POM UL94HB	Black	120 ± 15	Black	1	500
30161	DMP-D1-150	PC UL94V2	POM UL94HB	Black	150 ± 15	Red	1	500
30162	DMP-D2-25	PC UL94V2	POM UL94HB	Black	25 ± 8	White	2	500
30163	DMP-D2-40	PC UL94V2	POM UL94HB	Black	40 ± 10	Yellow	2	500
30164	DMP-D2-60	PC UL94V2	POM UL94HB	Black	60 ± 10	Purple	2	500
30165	DMP-D2-80	PC UL94V2	POM UL94HB	Black	80 ± 15	Green	2	500
30167	DMP-D2-120	PC UL94V2	POM UL94HB	Black	120 ± 15	Black	2	500
30168	DMP-D2-150	PC UL94V2	POM UL94HB	Black	150 ± 15	Red	2	500

Material: PC UL94V2 (GMS-41); POM UL94HB (GMS-16)

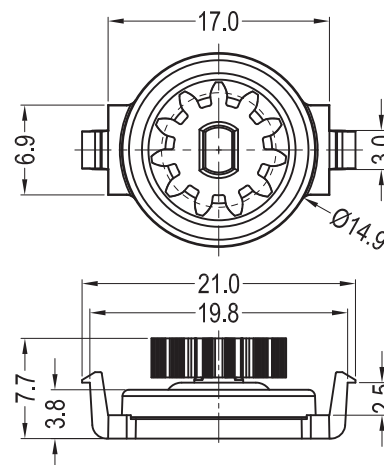
Type	Teeth Profile	Pressure Angle	D1 Number of Teeth	D2 Number of Teeth	D1 Module	D2 Module	Durability
Standard Spur	Involute Full Depth	20°	14	13	0.5	0.8	30,000 cycles

ROTARY DAMPER

Rotary Damper with Gear DMP-E



DMP-E



Sizes in mm

P/N.	Article No.	Body & Cap Material	Gear & Shaft Material	Color	Torque(gf.cm) @20RPM&23°C	Identification Paint Mark	Packing Unit
30170	DMP-E-25	PC UL94V2	POM UL94HB	Black	25 ± 8	White	500
30171	DMP-E-40	PC UL94V2	POM UL94HB	Black	40 ± 10	Yellow	500
30172	DMP-E-60	PC UL94V2	POM UL94HB	Black	60 ± 10	Purple	500
30173	DMP-E-80	PC UL94V2	POM UL94HB	Black	80 ± 15	Green	500
30175	DMP-E-120	PC UL94V2	POM UL94HB	Black	120 ± 15	Black	500
30176	DMP-E-150	PC UL94V2	POM UL94HB	Black	150 ± 15	Red	500
30307	DMP-E-180	PC UL94V2	POM UL94HB	Black	180 ± 20	Blue	500

Material: PC UL94V2 (GMS-41); POM UL94HB (GMS-16)

Type	Teeth Profile	Pressure Angle	Number of Teeth	Module	Durability
Standard Spur	Involute Full Depth	20°	11	0.8	30,000 cycles



Soft Fast Foot

GF-101 to GF-818 Black

GF

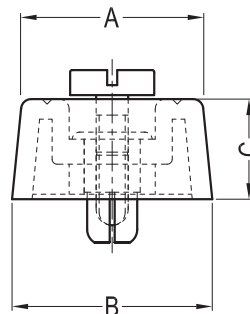
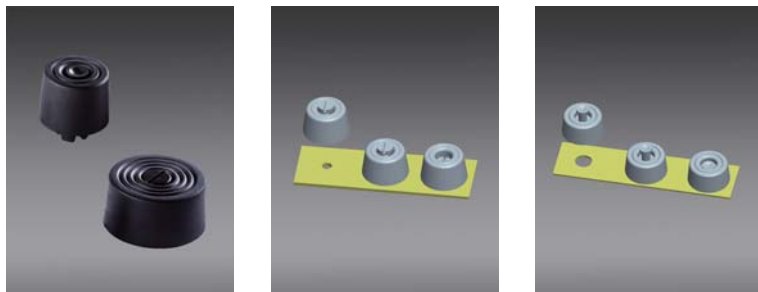


Fig.1

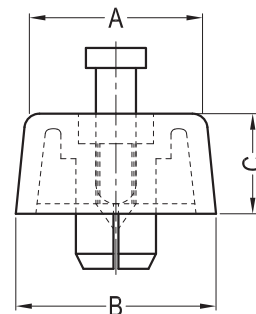


Fig.2

Sizes in mm

P/N.	Article No.	Cross-Ref.	Foot Material	Rivet Body Material	Rivet Pin Material	A	B	C	Hole	Panel Thickness	FIG.	Packing Unit
30012	GF-101	FF-001B	TPV UL94HB	PA6 UL94V2	POM UL94HB	20.0	24.0	14.0	5.0-5.1	1.0-2.3	1	200
30015	GF-104	FF-004B	TPV UL94HB	PA6 UL94V2	POM UL94HB	18.0	20.0	10.0	5.0-5.1	1.0-2.3	1	500
30049	GF-115	-	TPV UL94HB	PA6 UL94V2	POM UL94HB	28.0	30.0	15.0	5.0-5.1	0.5-1.5	1	200
30052	GF-117	120615069912	TPV UL94HB	-	PP UL94HB	18.0	20.0	10.0	8.0-8.1	0.8-1.5	2	500
30053	GF-117-A4	-	TPV UL94HB + PP UL94HB	-	PP UL94HB	18.0	20.0	10.0	8.0-8.1	0.8-1.5	2	500
30054	GF-117-PP	-	PP UL94HB	-	PP UL94HB	18.0	20.0	10.0	8.0-8.1	0.8-1.5	2	500
30060	GF-118	SFF-018	TPV UL94HB	-	PP UL94HB	18.0	20.0	10.0	8.0-8.1	0.8-1.5	2	500
30194	GF-118-PP	-	PP UL94HB	-	PP UL94HB	18.0	20.0	10.0	8.0-8.1	0.8-1.5	2	500
30103	GF-120	-	TPV UL94HB	-	PP UL94HB	18.0	20.0	5.0	7.8-7.9	0.8-1.5	2	500
30062	GF-121	SFF-021	TPV UL94HB	-	PP UL94HB	20.0	21.0	6.0	8.0-8.1	5.0-8.0	2	500
30056	GF-125	-	TPV UL94HB	-	PP UL94HB	18.0	20.0	15.0	7.9-8.0	0.8-1.8	2	500
30057	GF-125-A4	-	TPV UL94HB + PP UL94HB	-	PP UL94HB	18.0	20.0	15.0	7.9-8.0	0.8-1.8	2	500
30058	GF-125-PP	-	PP UL94HB	-	PP UL94HB	18.0	20.0	15.0	7.9-8.0	0.8-1.8	2	500
30072	GF-128	SFF-028	TPV UL94HB	-	PP UL94HB	18.0	20.0	15.0	7.9-8.0	0.8-1.5	2	500
30081	GF-129-PP	-	PP UL94HB	-	PP UL94HB	28.0	30.0	15.0	10.1-10.2	2.5-3.2	2	500
30104	GF-818	-	TPV UL94HB	-	PP UL94HB	18.0	19.5	8.0	6.1-6.2	0.8-1.5	2	500

Material: GF-101/-104/-115 [TPV UL94HB (GMS-42); PA6 UL94V2 (GMS-10); POM UL94HB (GMS-30)];
 GF-117/-118/-121/-125/-128/-129 [TPV UL94HB (GMS-32); PP UL94HB (GMS-26)];
 GF-120/-818 [TPV UL94HB (GMS-43); PP UL94HB (GMS-26)]

SCREW ON FEET

Soft Fast Foot GF-103 to GF-114 Black

GF

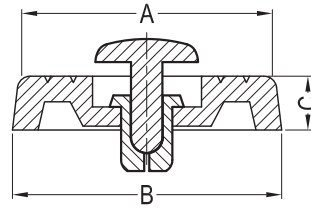
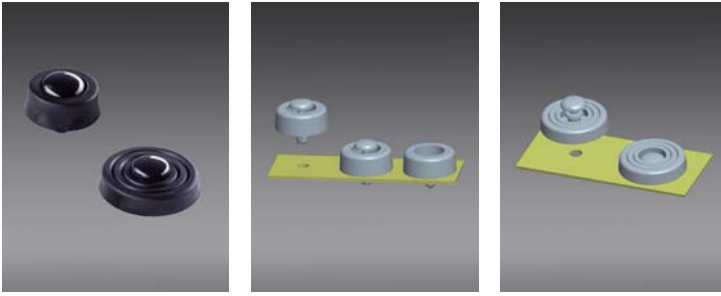


Fig.1

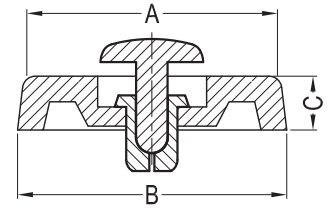


Fig.2

Sizes in mm

P/N.	Article No.	Cross-Ref.	Foot Material	Rivet Material	A	B	C	Hole	Panel Thickness	FIG.	Packing Unit
30267	GF-103BB	-	TPV UL94HB	-	13.5	14.2	5.5	-	-	2	1000
30014	GF-103-R3055	FF-003-P3X5.5B	TPV UL94HB	PA6 UL94V2	13.5	14.2	5.5	3.1-3.2	0.8-1.8	2	1000
30177	GF-103-R3065	-	TPV UL94HB	PA6 UL94V2	13.5	14.2	5.5	3.1-3.2	1.8-2.8	2	1000
30016	GF-105-R4050	FF-005-P4X5B	TPV UL94HB	PA6 UL94V2	20.0	21.0	4.2	4.1-4.2	0.8-1.8	1	1000
30017	GF-105-R4050BV0	-	TPV UL94HB	PA66 UL94V0	20.0	21.0	4.2	4.1-4.2	0.8-1.8	1	1000
30018	GF-105-R4060	FF-005-P4X6B	TPV UL94HB	PA6 UL94V2	20.0	21.0	4.2	4.1-4.2	1.8-2.8	1	1000
30019	GF-105-R4070	FF-005-P4X7B	TPV UL94HB	PA6 UL94V2	20.0	21.0	4.2	4.1-4.2	2.9-3.7	1	1000
30020	GF-105-R4080	FF-005-P4X8B	TPV UL94HB	PA6 UL94V2	20.0	21.0	4.2	4.1-4.2	3.8-4.8	1	1000
30021	GF-106-R4050	-	TPV UL94HB	PA6 UL94V2	14.0	15.0	6.0	4.1-4.2	0.3-0.7	2	1000
30022	GF-106-R4060	FF-006-P4X6B	TPV UL94HB	PA6 UL94V2	14.0	15.0	6.0	4.1-4.2	0.6-1.0	2	1000
30023	GF-106-R4070	FF-006-P4X7B	TPV UL94HB	PA6 UL94V2	14.0	15.0	6.0	4.1-4.2	1.0-2.0	2	1000
30024	GF-106-R4080	FF-006-P4X8B	TPV UL94HB	PA6 UL94V2	14.0	15.0	6.0	4.1-4.2	2.0-3.1	2	1000
30025	GF-106-R4090	FF-006-P4X9B	TPV UL94HB	PA6 UL94V2	14.0	15.0	6.0	4.1-4.2	3.1-4.1	2	1000
30026	GF-106-64-R4060	-	TPV UL94HB	PA6 UL94V2	14.0	15.0	6.0	4.1-4.2	0.6-1.0	2	1000
30027	GF-106-R5065	FF-006-P5X6.5B	TPV UL94HB	PA6 UL94V2	14.0	15.0	6.0	5.1-5.2	0.8-1.2	2	1000
30028	GF-106-R5075	FF-006-P5X7.5B	TPV UL94HB	PA6 UL94V2	14.0	15.0	6.0	5.1-5.2	1.3-2.3	2	1000
30029	GF-108-R4060	FF-008-P4X6B	TPV UL94HB	PA6 UL94V2	20.0	21.0	6.0	4.1-4.2	0.8-1.8	1	500
30030	GF-108-R4070	FF-008-P4X7B	TPV UL94HB	PA6 UL94V2	20.0	21.0	6.0	4.1-4.2	1.9-2.8	1	500
30031	GF-108-R4080	FF-008-P4X8B	TPV UL94HB	PA6 UL94V2	20.0	21.0	6.0	4.1-4.2	2.9-4.0	1	500
30254	GF-109BB	-	TPV UL94HB	-	20.0	21.0	8.0	-	-	1	500
30033	GF-109-R4060	FF-009-P4X6B	TPV UL94HB	PA6 UL94V2	20.0	21.0	8.0	4.1-4.2	0.3-0.8	1	500
30034	GF-109-R4070	FF-009-P4X7B	TPV UL94HB	PA6 UL94V2	20.0	21.0	8.0	4.1-4.2	0.8-2.0	1	500
30035	GF-109-R4080	FF-009-P4X8B	TPV UL94HB	PA6 UL94V2	20.0	21.0	8.0	4.1-4.2	2.1-3.1	1	500
30036	GF-109-R4090	FF-009-P4X9B	TPV UL94HB	PA6 UL94V2	20.0	21.0	8.0	4.1-4.2	3.2-3.4	1	500
30037	GF-110-R4060	FF-010-P4X6B	TPV UL94HB	PA6 UL94V2	14.0	15.0	9.0	4.1-4.2	0.6-1.0	2	1000
30038	GF-110-R4070	FF-010-P4X7B	TPV UL94HB	PA6 UL94V2	14.0	15.0	9.0	4.1-4.2	1.0-2.0	2	1000
30039	GF-110-R4080	FF-010-P4X8B	TPV UL94HB	PA6 UL94V2	14.0	15.0	9.0	4.1-4.2	2.0-3.1	2	1000
30041	GF-110-R5065	FF-010-P5X6.5B	TPV UL94HB	PA6 UL94V2	14.0	15.0	9.0	5.1-5.2	0.3-1.3	2	1000
30239	GF-110-R5075	FF-010-P5X7.5B	TPV UL94HB	PA6 UL94V2	14.0	15.0	9.0	5.1-5.2	1.3-2.3	2	1000
30042	GF-113-R3545	FF-013-P3.5X4.5B	TPV UL94HB	PA6 UL94V2	10.0	10.8	4.0	3.6-3.7	0.5-1.2	2	1000
30361	GF-113-R3550	-	TPV UL94HB	PA6 UL94V2	10.0	10.8	4.0	3.6-3.7	0.7-1.6	2	1000
30043	GF-113-R3555	FF-013-P3.5X5.5B	TPV UL94HB	PA6 UL94V2	10.0	10.8	4.0	3.6-3.7	1.2-2.0	2	1000
30044	GF-113-R3560	FF-013-P3.5X6B	TPV UL94HB	PA6 UL94V2	10.0	10.8	4.0	3.6-3.7	1.5-2.5	2	1000
30045	GF-113-R3570	FF-013-P3.5X7B	TPV UL94HB	PA6 UL94V2	10.0	10.8	4.0	3.6-3.7	2.5-3.5	2	1000
30046	GF-113-R3580	FF-013-P3.5X8B	TPV UL94HB	PA6 UL94V2	10.0	10.8	4.0	3.6-3.7	3.5-4.5	2	1000
30047	GF-113-40-R3545	-	TPV UL94HB	PA6 UL94V2	10.0	10.8	4.0	3.6-3.7	0.5-1.2	2	1000
30048	GF-113-40-R3555	-	TPV UL94HB	PA6 UL94V2	10.0	10.8	4.0	3.6-3.7	1.2-2.0	2	1000
30255	GF-114-R3580	-	TPV UL94HB	PA6 UL94V2	10.0	10.8	6.5	3.6-3.7	3.5-4.5	2	1000

Material: GF-103 [TPV UL94HB (GMS-32); PA6 UL94V2 (GMS-10)];
GF-105/-106/-108/-109/-110/-113/-114 [TPV UL94HB (GMS-42); PA6 UL94V2 (GMS-10)]



sales@sucatec.com



www.sucatec.com

SCREW ON FEET

Soft Fast Foot

GF-123 to GF-130 Black

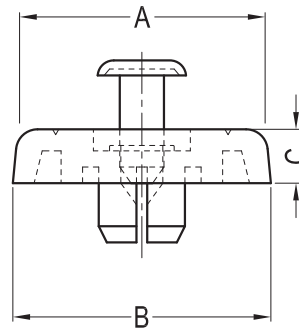
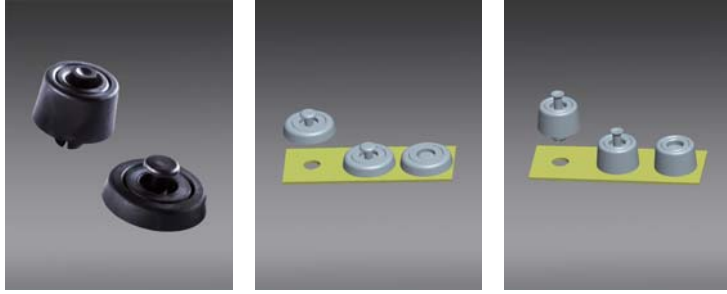


Fig.1

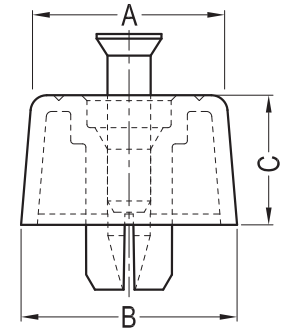


Fig.2

Sizes in mm

P/N.	Article No.	Cross-Ref.	Feet Material	Pin Material	A	B	C	Hole	Panel Thickness	FIG.	Packing Unit
30064	GF-123	SFF-023	TPV UL94HB	PP UL94HB	23.0	25.0	5.0	8.0-8.1	0.8-1.5	1	500
30065	GF-123-PP	-	PP UL94HB	PP UL94HB	23.0	25.0	5.0	8.0-8.1	0.8-1.5	1	500
30237	GF-130	-	TPV UL94HB	PP UL94HB	23.0	25.0	5.0	7.6-7.85	0.8-1.5	1	500
30066	GF-124	-	TPV UL94HB	PP UL94HB	18.0	20.0	12.0	8.0-8.1	0.5-1.2	2	500
30068	GF-124-A4	-	TPV UL94HB + PP UL94HB	PP UL94HB	18.0	20.0	12.0	8.0-8.1	0.5-1.2	2	500
30067	GF-124-PP	-	PP UL94HB	PP UL94HB	18.0	20.0	12.0	8.0-8.1	0.5-1.2	2	500
30296	GF-126	-	TPV UL94HB	PP UL94HB	18.0	20.0	18.0	8.0-8.1	0.5-1.2	2	500
30070	GF-126-A4	-	TPV UL94HB + PP UL94HB	PP UL94HB	18.0	20.0	18.0	8.0-8.1	0.5-1.2	2	500
30069	GF-126-PP	-	PP UL94HB	PP UL94HB	18.0	20.0	18.0	8.0-8.1	0.5-1.2	2	500

Material: TPV UL94HB (GMS-32); PP UL94HB (GMS-26)

Soft Fast Foot

GSOF

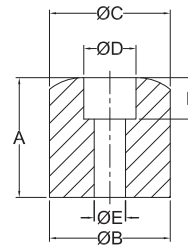
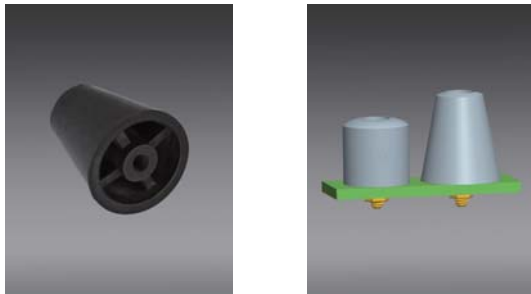


Fig.1

GSOF

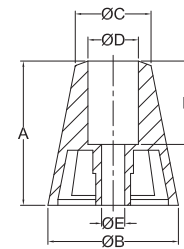


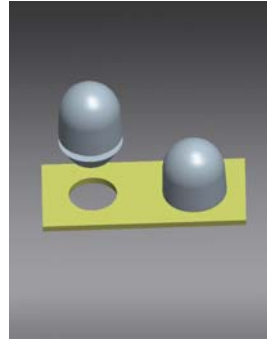
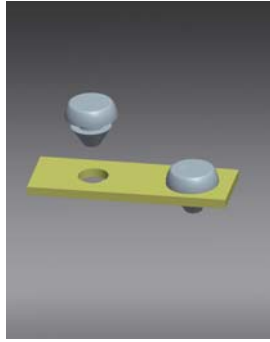
Fig.2

Sizes in mm

P/N.	Article No.	Cross-Ref.	Material	Color	A	B	C	D	E	F	FIG.	Packing Unit
30369	GSOF-15129	SOF-15129	Neoprene Rubber	Black	7.1	15.9	13.8	8.0	3.2	4.0	1	1000
30372	GSOF-15140	SOF-15140	Neoprene Rubber	Black	9.5	17.5	-	8.0	4.0	5.2	2	1000
30370	GSOF-15125	SOF-15125	Neoprene Rubber	Black	11.5	19.1	18.0	10.2	5.0	6.35	1	1000
30373	GSOF-15111	SOF-15111	Neoprene Rubber	Black	15.25	19.0	12.7	8.0	4.0	4.8	2	1000
30371	GSOF-15127	SOF-15127	Neoprene Rubber	Black	18.35	18.5	-	8.0	4.8	6.35	1	500
30328	GSOF-15126	SOF-15126	Neoprene Rubber	Black	25.0	22.5	12.7	8.7	4.0	14.5	2	500

SCREW ON FEET

Push on Feet POF GPOF Black



GPOF

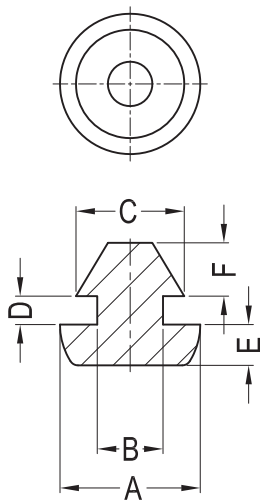


Fig.1

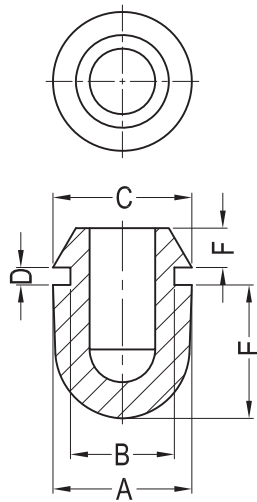


Fig.2

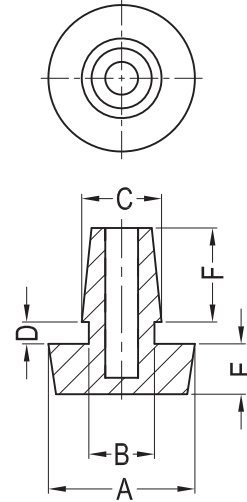


Fig.3

Sizes in mm

P/N.	Article No.	Cross-Ref.	Material	A	B	C	D	E	F	Hole	Panel Thickness	FIG.	Packing Unit
30231	GPOF-40022	POF-40022	TPV UL94HB	7.9	3.2	4.4	3.3	1.5	4.1	3.7-3.8	3.2	1	1000
30232	GPOF-40048	POF-40048	TPV UL94HB	7.9	3.7	6.1	1.6	2.3	3.0	4.5-4.6	1.5	1	1000
30233	GPOF-40059	POF-40059	TPV UL94HB	12.7	9.5	12.7	1.6	12.2	3.6	9.5-9.6	1.5	2	1000
30230	GPOF-50185	POF-50185	TPV UL94HB	13.4	6.0	7.3	2.0	4.6	8.6	6.0-6.1	1.9	3	1000
30229	GPOF-12664	POF-12664	TPV UL94HB	15.7	7.0	8.6	1.3	5.1	4.1	7.0-7.1	1.2	3	1000

Material: TPV UL94HB (GMS-05)

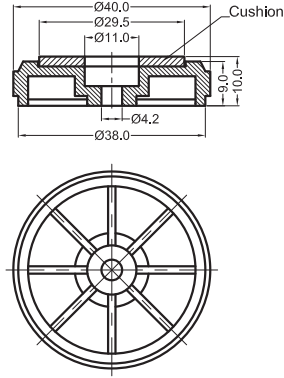


SCREW ON FEET

ABS Damping Feet GBF-1001



GBF-1001

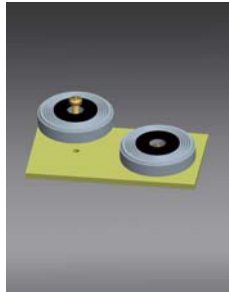


Sizes in mm

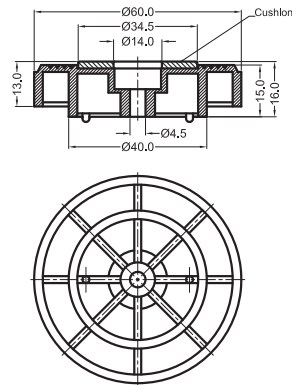
P/N.	Article No.	Cross-Ref.	Foot Material	Cushion Material	Cushion Size	Color	Packing Unit
30000	GBF-1001	BF-1001	ABS UL94HB	EVA Tape	2.0T*29.5*11.0	Black	100

Material: ABS UL94HB (GMS-53); EVA Tape (GMS-54)

ABS Damping Feet GBF-1002



GBF-1002

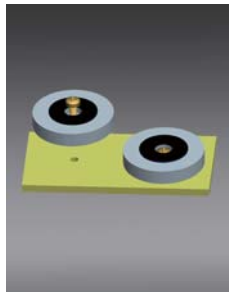


Sizes in mm

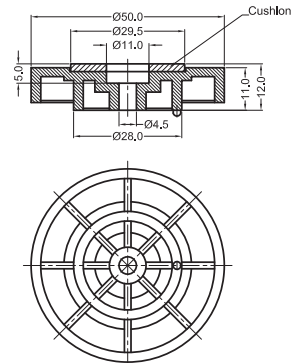
P/N.	Article No.	Cross-Ref.	Foot Material	Cushion Material	Cushion Size	Color	Packing Unit
30001	GBF-1002	BF-1002	ABS UL94HB	EVA Tape	2.0T*34.5*14.0	Black	100

Material: ABS UL94HB (GMS-53); EVA Tape (GMS-54)

ABS Damping Feet GBF-1005



GBF-1005

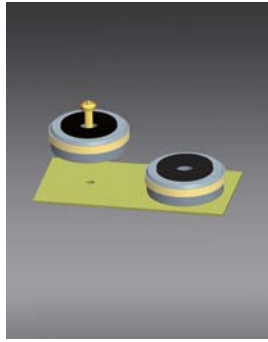


Sizes in mm

P/N.	Article No.	Cross-Ref.	Foot Material	Cushion Material	Cushion Size	Color	Packing Unit
30002	GBF-1005	BF-1005	ABS UL94HB	EVA Tape	2.0T*29.5*11.0	Black	100

Material: ABS UL94HB (GMS-53); EVA Tape (GMS-54)

ABS Damping Feet GFFG-3A



GFFG-3A

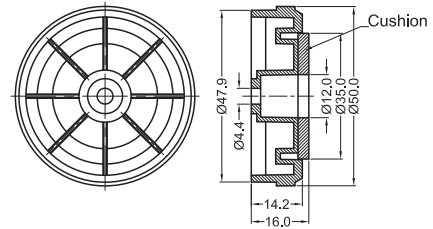


Fig.1

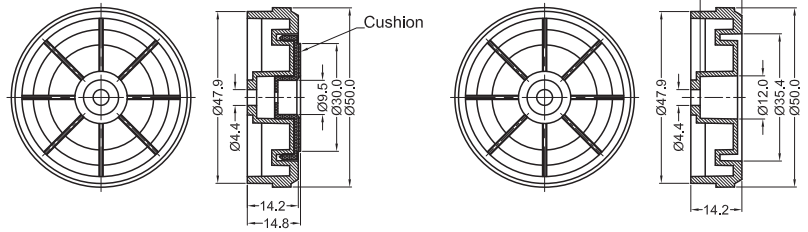


Fig.2

Fig.3

Sizes in mm

P/N.	Article No.	Foot Material	Cushion Material	Cushion Size	Finish	Color	FIG.	Packing Unit
30003	GFFG-3A	ABS UL94HB	EVA Tape	3.0T*35.0*12.0	Gold Plated	Black	1	20
30004	GFFG-3ABB-G	ABS UL94HB	-	-	Gold Plated	Black	3	20
30005	GFFG-3ABB-S	ABS UL94HB	-	-	Silver Plated	Black	3	20
30006	GFFG-3ABB-SW	ABS UL94HB	-	-	Silver-White Plated	Black	3	20
30007	GFFG-3AN	ABS UL94HB	EVA Tape	3.0T*35.0*12.0	-	Black	1	20
30008	GFFG-3ASW	ABS UL94HB	EVA Tape	3.0T*35.0*12.0	Silver-White Plated	Black	1	20
30322	GFFG-3ASW(RU)	ABS UL94HB	TPV UL94HB	-	Silver-White Plated	Black	2	20
30215	GFFG-3A(RU)	ABS UL94HB	TPV UL94HB	-	-	Black	2	20
30295	GFFG-3A-W	ABS UL94HB	EVA Tape	3.0T*35.0*12.0	Gold Plated	White	1	20

Material: ABS UL94HB (GMS-53); EVA Tape (GMS-54); TPV UL94HB (GMS-32)

ABS Damping Feet GBF-3010

GBF-3010

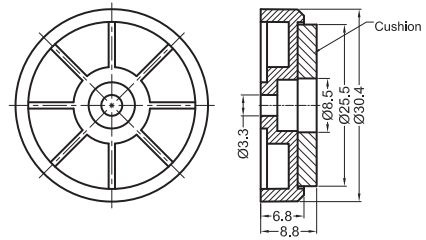
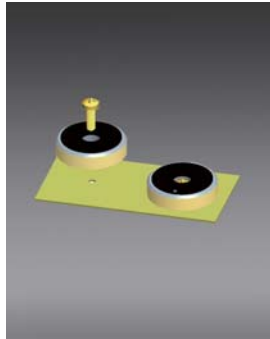


Fig.1

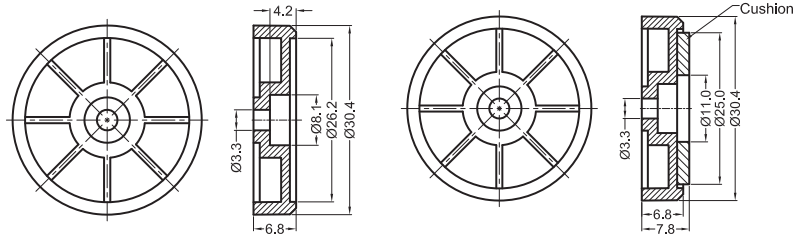


Fig.2

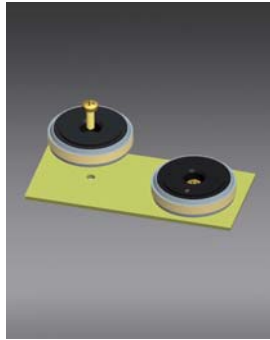
Fig.3

Sizes in mm

P/N.	Article No.	Foot Material	Cushion Material	Cushion Size	Finish	Color	FIG.	Packing Unit
30073	GBF-3010	ABS UL94HB	EVA Tape	3.0T*26.0*8.0	-	Black	1	20
30074	GBF-3010(RU)-S	ABS UL94HB	RUBBER	2.0T*25.0*11.0	Silver Plated	Black	3	20
30075	GBF-3010B-S	ABS UL94HB	-	-	Silver Plated	Black	2	20
30076	GBF-3010B-SW	ABS UL94HB	-	-	Silver-White Plated	Black	2	20
30077	GBF-3010B-G	ABS UL94HB	-	-	Gold Plated	Black	2	20
30078	GBF-3010-S	ABS UL94HB	EVA Tape	3.0T*26.0*8.0	Silver Plated	Black	1	20
30079	GBF-3010-SW	ABS UL94HB	EVA Tape	3.0T*26.0*8.0	Silver-White Plated	Black	1	20
30080	GBF-3010-G	ABS UL94HB	EVA Tape	3.0T*26.0*8.0	Gold Plated	Black	1	20
30190	GBF-3010-S1	ABS UL94HB	EVA Tape	3.0T*26.0*8.0	Silver Plated	Black	1	20

Material: ABS UL94HB (GMS-53); EVA Tape (GMS-54); RUBBER (GMS-55)

ABS Damping Feet GBF-4010



GBF-4010

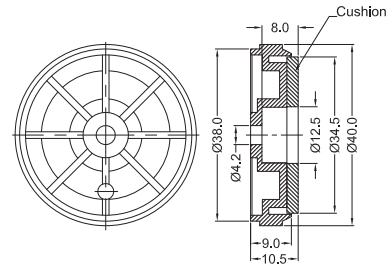


Fig.1

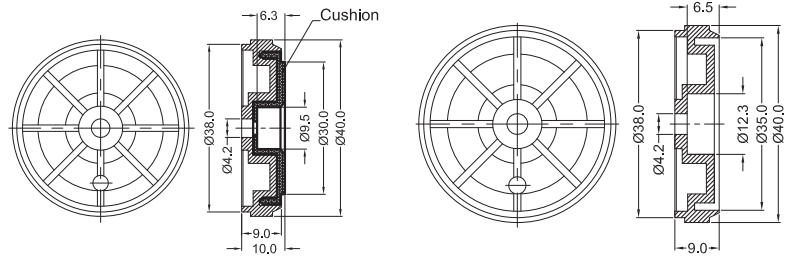


Fig.2

Fig.3

Sizes in mm

P/N.	Article No.	Foot Material	Cushion Material	Cushion Size	Finish	Color	FIG.	Packing Unit
30090	GBF-4010-EVA-G	ABS UL94HB	EVA Tape	2.5T*35.0*12.0	Gold Plated	Black	1	20
30091	GBF-4010-EVA-GP	ABS UL94HB	TPV UL94 HB	-	Gold Plated	Black	2	20
30092	GBF-4010-EVA-S	ABS UL94HB	EVA Tape	2.5T*35.0*12.0	Silver Plated	Black	1	20
30093	GBF-4010-EVA-SP	ABS UL94HB	TPV UL94 HB	-	Silver Plated	Black	2	20
30094	GBF-4010-EVA-SW	ABS UL94HB	EVA Tape	2.5T*35.0*12.0	Silver-White Plated	Black	1	20
30095	GBF-4010-EVA-SWK	ABS UL94HB	EVA Tape	2.5T*35.0*12.0	Silver-White Plated	Black	1	20
30096	GBF-4010-EVA-SWP	ABS UL94HB	TPV UL94 HB	-	Silver-White Plated	Black	2	20
30097	GBF-4010P-EVA-G	ABS UL94HB	-	-	Gold Plated	Black	3	20
30098	GBF-4010P-EVA-S	ABS UL94HB	-	-	Silver Plated	Black	3	20
30099	GBF-4010P-EVA-SW	ABS UL94HB	-	-	Silver-White Plated	Black	3	20

Material: ABS UL94HB (GMS-53); EVA Tape (GMS-54); TPV UL94HB (GMS-32)

SCREW ON FEET

ABS Damping Feet GFF-4010

GFF-4010

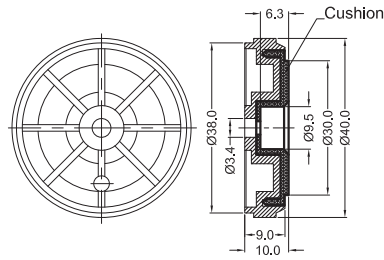
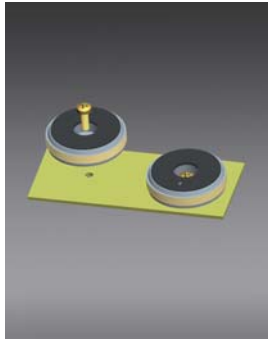


Fig.1

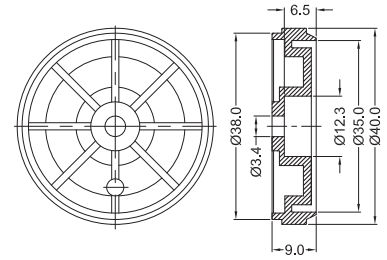


Fig.2

Sizes in mm

P/N.	Article No.	Foot Material	Cushion Material	Finish	Color	FIG.	Packing Unit
30082	GFF-4010	ABS UL94HB	TPV UL94 HB	-	Black	1	20
30083	GFF-4010BP-G	ABS UL94HB	-	Gold Plated	Black	2	20
30084	GFF-4010BP-S	ABS UL94HB	-	Silver Plated	Black	2	20
30085	GFF-4010BP-SW	ABS UL94HB	-	Silver-White Plated	Black	2	20
30087	GFF-4010-SW	ABS UL94HB	TPV UL94 HB	Silver-White Plated	Black	1	20
30088	GFF-4010-S	ABS UL94HB	TPV UL94 HB	Silver Plated	Black	1	20
30089	GFF-4010-G	ABS UL94HB	TPV UL94 HB	Gold Plated	Black	1	20

Material: ABS UL94HB (GMS-53); TPV UL94HB (GMS-32)

ABS Damping Feet GFF-5014

GFF-5014

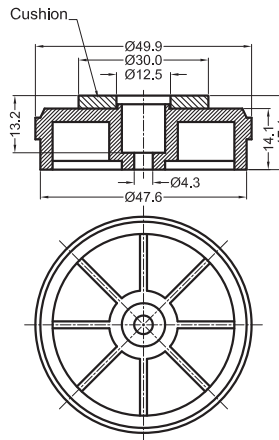
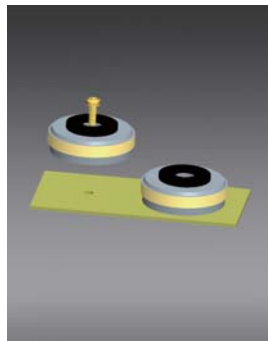


Fig.1

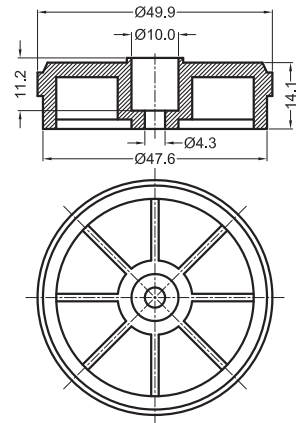


Fig.2

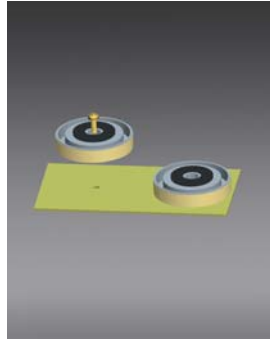
Sizes in mm

P/N.	Article No.	Foot Material	Cushion Material	Cushion Size	Finish	Color	FIG.	Packing Unit
30100	GFF-5014	ABS UL94HB	EVA Tape	3.0T*30.0*12.5	-	Black	1	20
30101	GFF-5014-G	ABS UL94HB	EVA Tape	3.0T*30.0*12.5	Gold Plated	Black	1	20
30102	GFF-5014BB-G	ABS UL94HB	-	-	Gold Plated	Black	2	20
30195	GFF-5014-SW	ABS UL94HB	EVA Tape	3.0T*30.0*12.5	Silver-White Plated	Black	1	20

Material: ABS UL94HB (GMS-53); TPV UL94HB (GMS-32)

SCREW ON FEET

ABS Damping Feet GFF-5610



GFF-5610

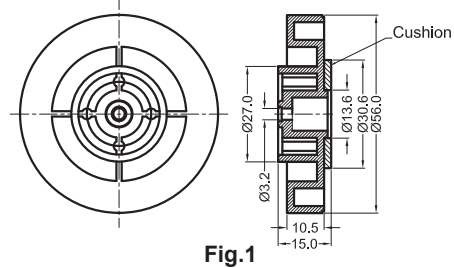


Fig.1

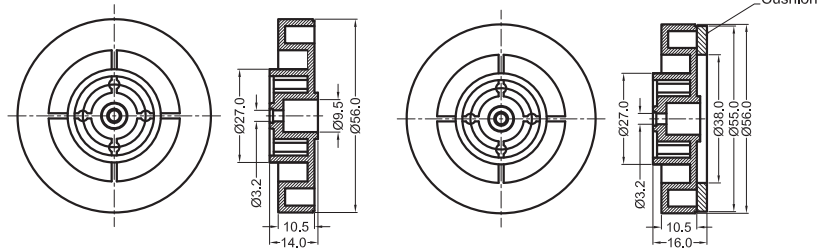


Fig.2

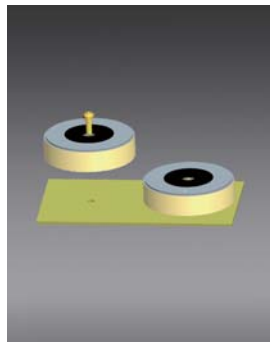
Fig.3

Sizes in mm

P/N.	Article No.	Foot Material	Cushion Material	Cushion Size	Finish	Color	FIG.	Packing Unit
30106	GFF-5610	ABS UL94HB	EVA Tape	2.0T*30.6*13.6	-	Black	1	20
30107	GFF-5610BB-G	ABS UL94HB	-	-	Gold Plated	Black	2	20
30108	GFF-5610BB-S	ABS UL94HB	-	-	Silver Plated	Black	2	20
30109	GFF-5610BB-SW	ABS UL94HB	-	-	Silver-White Plated	Black	2	20
30110	GFF-5610-G	ABS UL94HB	EVA Tape	2.0T*30.6*13.6	Gold Plated	Black	1	20
30111	GFF-5610-S	ABS UL94HB	EVA Tape	2.0T*30.6*13.6	Silver Plated	Black	1	20
30112	GFF-5610-SW	ABS UL94HB	EVA Tape	2.0T*30.6*13.6	Silver-White Plated	Black	1	20
30113	GFF-5610-SWT	ABS UL94HB	EVA Tape	3.0T*55.0*38.0	Silver-White Plated	Black	3	20

Material: ABS UL94HB (GMS-53); EVA Tape (GMS-54)

ABS Damping Feet GFF-5614



GFF-5614

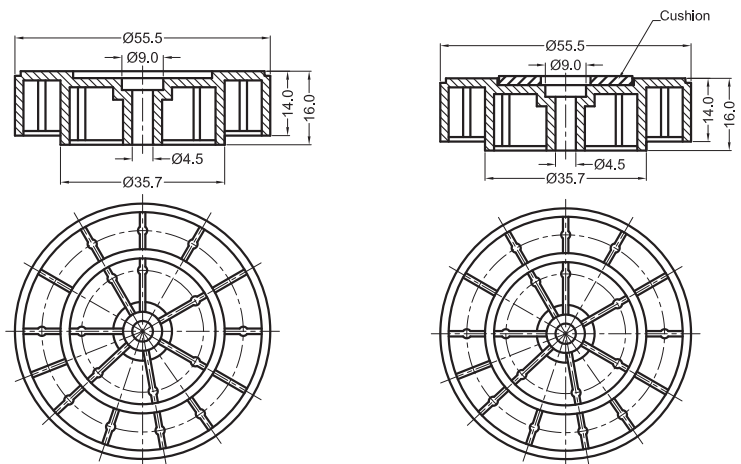


Fig.1

Fig.2

Sizes in mm

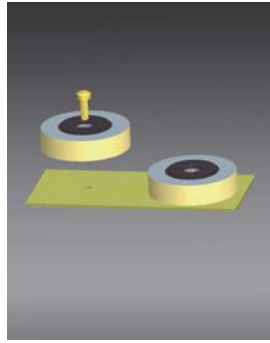
P/N.	Article No.	Foot Material	Cushion Material	Cushion Size	Finish	Color	FIG.	Packing Unit
30105	GFF-5614B-S	ABS UL94HB	-	-	Silver Plated	Black	1	20
30227	GFF-5614B	ABS UL94HB	EVA Tape	2T*29.5*11HB	Silver Plated	Black	2	20

Material: ABS UL94HB (GMS-53)

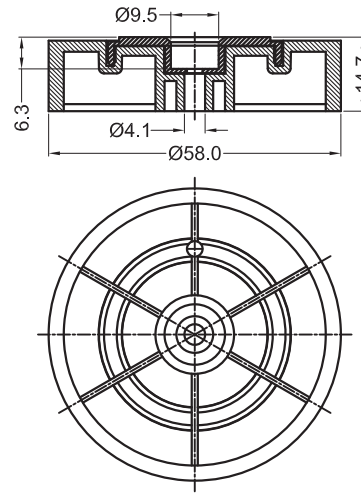


SCREW ON FEET

ABS Damping Feet GRS-58H



GRS-58H

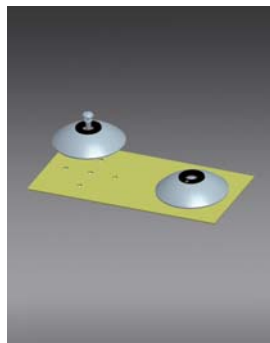


Sizes in mm

P/N.	Article No.	Foot Material	Cushion Material	Finish	Color	Packing Unit
30117	GRS-58H-G	ABS UL94HB	-	Gold Plated	Black	10
30118	GRS-58H-GT	ABS UL94HB	Rubber	Gold Plated	Black	10
30119	GRS-58H-SS	ABS UL94HB	-	Silver Plated	Black	10
30120	GRS-58H-SST	ABS UL94HB	Rubber	Silver Plated	Black	10

Material: ABS UL94HB(GMS-53)

Special Feet GAVC-5000



GAVC-5000

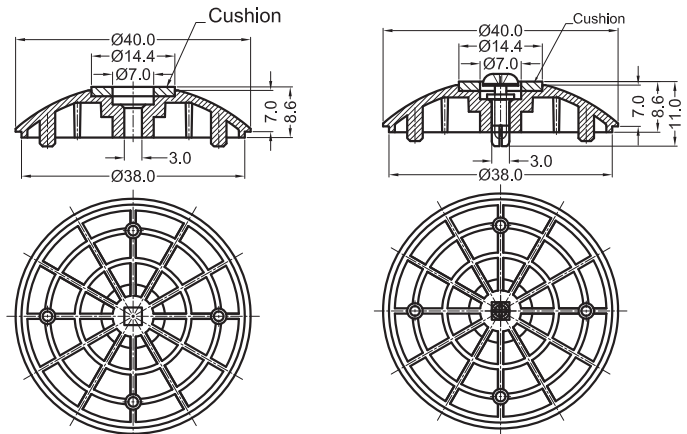


Fig.1

Fig.2

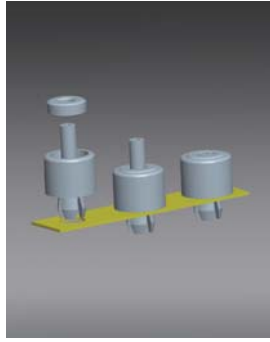
Sizes in mm

P/N.	Article No.	Foot Material	Cushion Material	Rivet Body Material	Rivet Pin Material	Cushion Size	Finish	Foot Color	Rivet Color	FIG.	Packing Unit
30114	GAVC-5000	ABS UL94HB	EVA Tape	-	-	1.6T*14.4*7.0	-	Grey	-	1	10
30115	GAVC-5000-01	ABS UL94HB	EVA Tape	PA6 UL94V2	POM UL94HB	1.6T*14.4*7.0	Silver Plated	Grey	Black	2	10
30116	GAVC-5000-SP	ABS UL94HB	EVA Tape	-	-	1.6T*14.4*7.0	Silver Plated	Grey	-	1	10

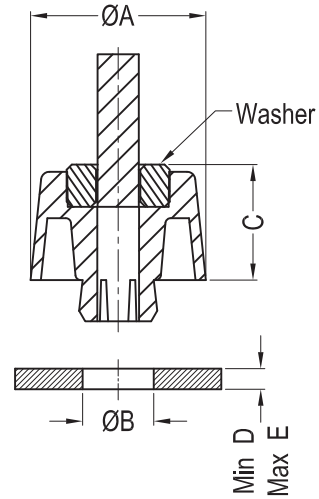
Material: ABS UL94HB (GMS-53); EVA Tape (GMS-54); PA6 UL94V2 (GMS-10); POM UL94HB (GMS-30)

SCREW ON FEET

Special Feet G120



G120

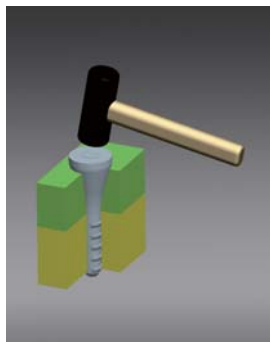


Sizes in mm

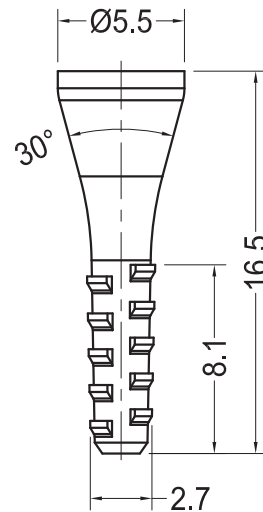
P/N.	Article No.	Cross-Ref.	Foot Material	Washer Material	Foot Color	Washer Color	A	B	C	D	E	Packing Unit
30287	G120 0412 699 01	120041269901	PA6 UL94V2	EVA	Black	Transparent	12.0	6.0	4.3	0.8	2.0	1000
30289	G120 0716 699 01	120071669901	PA6 UL94V2	EVA	Black	Transparent	16.0	7.0	6.9	1.5	3.0	1000
30286	G120 1117 699 01	120111769901	PA6 UL94V2	EVA	Black	Transparent	17.0	7.0	11.2	1.0	2.5	1000
30290	G120 1316 699 01	120131669901	PA6 UL94V2	EVA	Black	Transparent	16.0	7.7	12.5	0.9	1.5	500
30288	G120 1521 699 01	120152169901	PA6 UL94V2	EVA	Black	Transparent	21.0	7.7	15.8	0.8	4.0	500

Material: PA6 UL94V2 (GMS-10); EVA (GMS-56)

Push-Fit Feet GFFP-16.5



GFFP-16.5



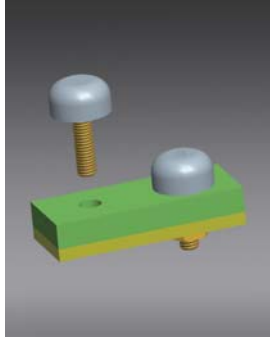
Sizes in mm

P/N.	Article No.	Material	Color	Packing Unit
21457	GFFP-16.5	PSU UL94HB	Natural	1000

Material: PSU UL94HB(GMS-28)

Threaded Bumpers GTB/GFN10-0025WH

H



GTB

GFN10-0025WH

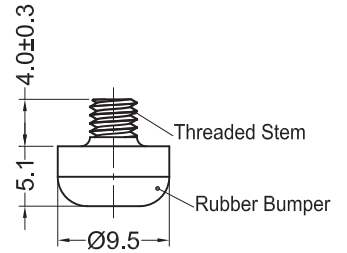
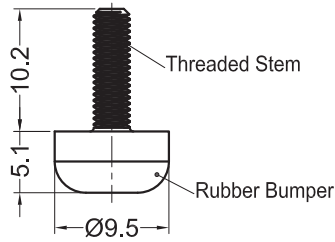


Fig.1

Fig.2

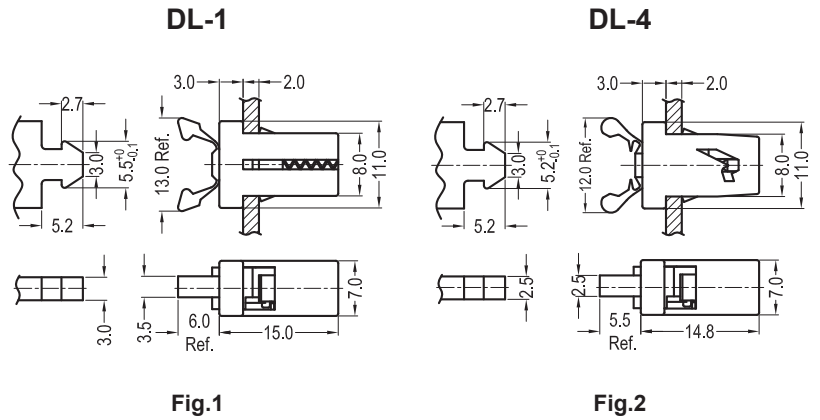
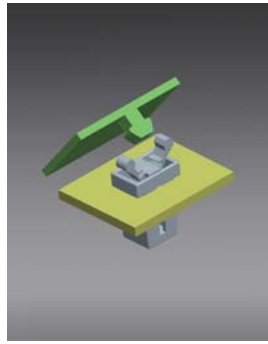
Sizes in mm

P/N.	Article No.	Cross-Ref.	Rubber Bumper Material	Threaded Stem Material	Color	Thread	FIG.	Packing Unit
50916	GTB-1	TB-1	IIR, Shore 40-50A Durometer	Brass	Black	#6-32	1	1000
50917	GTB-2	TB-2	IIR, Shore 40-50A Durometer	Brass	Black	#6-32	1	1000
50918	GTB-3	TB-3	IIR, Shore 40-50A Durometer	Brass	Black	M3	1	1000
50919	GTB-4	TB-4	IIR, Shore 40-50A Durometer	Brass	Black	M4	1	1000
61349	GFN10-0025WH	FN10-0025WH	NBR, Shore 40-50A Durometer	Brass	White	M4	2	1000

CATCHES AND LATCHES

Door Latches

DL-1/-4



Sizes in mm

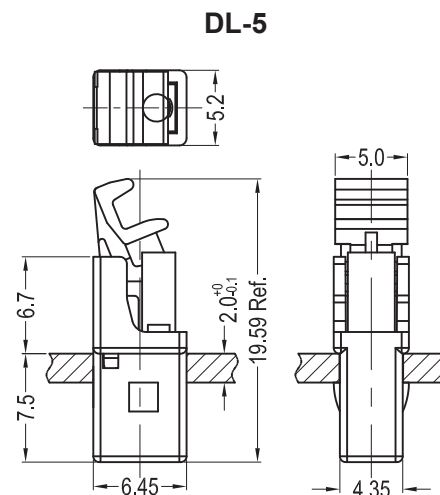
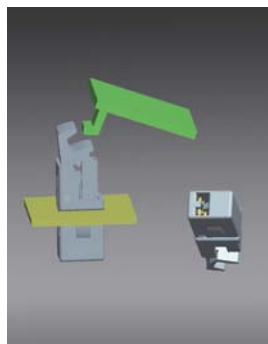
P/N.	Article No.	Cross-Ref.	Case Material	Catcher Material	Arm Material	Spring Material	Color	Hole	Panel Thickness	FIG	Packing Unit
30125	DL-1-B	DL-1-B	POM UL94HB	PA66 UL94V2	PC+GF	Stainless Steel	Black	□ 7.0 ^{+0.2} x8.0 ^{+0.2}	1.9-2.0	1	500
30129	DL-1-W	DL-1-W	POM UL94HB	PA66 UL94V2	PC+GF	Stainless Steel	White	□ 7.0 ^{+0.2} x8.0 ^{+0.2}	1.9-2.0	1	500
30299	DL-1-G	DL-1-G	POM UL94HB	PA66 UL94V2	PC+GF	Stainless Steel	Grey	□ 7.0 ^{+0.2} x8.0 ^{+0.2}	1.9-2.0	1	500
30178	DL-4-B	DL-4-B	POM UL94HB	PA66 UL94V2	PC+GF	Stainless Steel	Black	□ 7.0 ^{+0.2} x8.0 ^{+0.2}	1.9-2.0	2	500
30180	DL-4W	DL-4W	POM UL94HB	PA66 UL94V2	PC+GF	Stainless Steel	White	□ 7.0 ^{+0.2} x8.0 ^{+0.2}	1.9-2.0	2	500
30304	DL-4-G	DL-4-G	POM UL94HB	PA66 UL94V2	PC+GF	Stainless Steel	Grey	□ 7.0 ^{+0.2} x8.0 ^{+0.2}	1.9-2.0	2	500

Material: PA66 UL94V2 (GMS-01); POM UL94HB (GMS-45); PC+GF (GMS-46); Stainless Steel (GMS-47)

Life Cycles	Continuous Working Temp.	Storage Temp.	Body Locking Force	Body Release Force	Locking Stroke Force	Retention Force	Locking Stroke	Release Stroke
30,000 operations	-10 °C to 70 °C	-40 °C to 80 °C	10N Max.	50N Min.	5±2N	10N Min.	5.5mm	1.3mm

Door Latches

DL-5



Sizes in mm

P/N.	Article No.	Case Material	Catcher Material	Spring Material	Color	Hole	Panel Thickness	Packing Unit
30182	DL-5	POM UL94HB	PA66 UL94V2	Stainless Steel	Black	□ 4.4 ^{+0.1} x6.5 ^{+0.1}	1.9-2.0	500

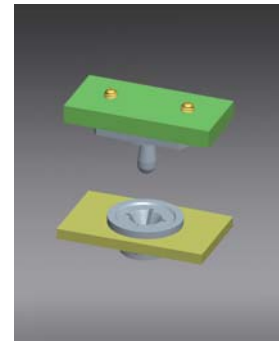
Material: PA66 UL94V2 (GMS-01); POM UL94HB (GMS-45); Stainless Steel (GMS-47)

Life Cycles	Continuous Working Temp.	Storage Temp.
30,000 operations	-10 °C to 70 °C	-40 °C to 80 °C



CATCHES AND LATCHES

Panel Catches and Snap-In Latches GCS113



GCS113-1 Catch

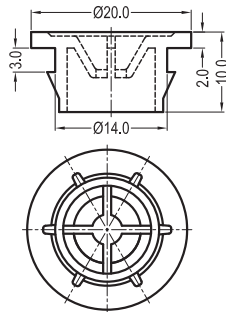


Fig.1

GCS113-2 Striker

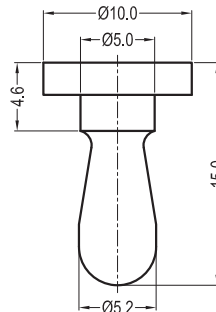


Fig.2

GCS113-3 Base

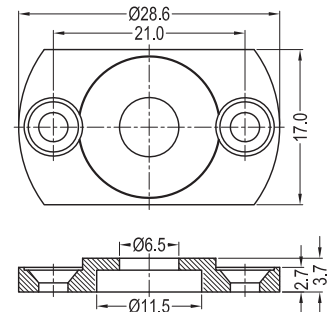


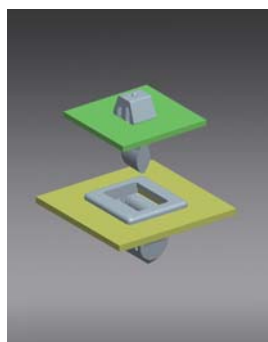
Fig.3

Sizes in mm

P/N.	Article No.	Cross-Ref.	Material	Color	FIG.	Packing Unit
20558	GCS113-1B	CS-113-1	PA66 UL94HB	Black	1	1000
20559	GCS113-1N	-	PA66 UL94HB	Natural	1	1000
20560	GCS113-1G	-	PA66 UL94HB	Grey	1	1000
20561	GCS113-2B	CS-113-2	PA66 UL94HB	Black	2	1000
20562	GCS113-2N	-	PA66 UL94HB	Natural	2	1000
20564	GCS113-3N	-	PA66 UL94HB	Natural	3	1000
20674	GCS113-3B-B	CS-113-3	POM UL94HB	Black	3	1000

Material:PA66 UL94HB (GMS-08); POM UL94HB (GMS-63)

Panel Catches and Snap-In Latches GCS-515



GCS-515-P

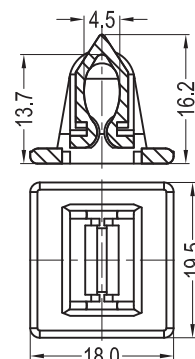


Fig.1

GCS-515-2

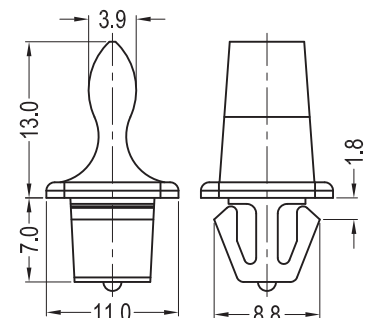


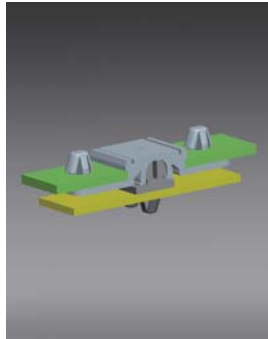
Fig.2

Sizes in mm

P/N.	Article No.	Material	Color	FIG.	Packing Unit
20566	GCS-515-P	PA66 UL94V2	Black	1	1000
20835	GCS-515-PN	PA66 UL94V2	Natural	1	1000
20565	GCS-515-2	POM UL94HB	Black	2	1000
20834	GCS-515-2N	POM UL94HB	Natural	2	1000

Material:PA66 UL94V2 (GMS-01); POM UL94HB (GMS-16)

Panel Catches and Snap-In Latches G55EC9300



G55EC9300-C

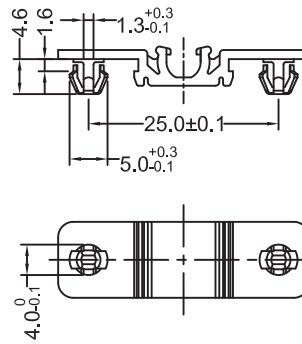


Fig.1

G55EC9300-S

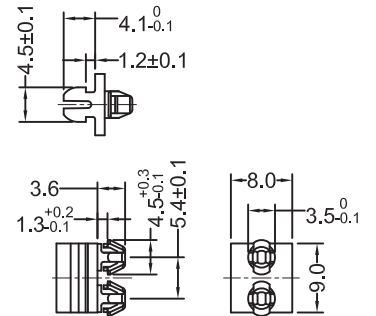


Fig.2

Sizes in mm

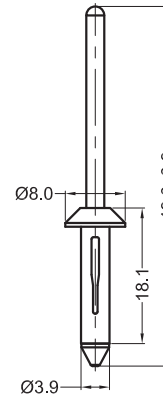
<u>P/N.</u>	<u>Article No.</u>	<u>Material</u>	<u>Color</u>	<u>FIG.</u>	<u>Packing Unit</u>
61282	G55EC9300-C	PA66 UL94V2	Grey	1	1000
61283	G55EC9300-S	PA66 UL94V2	Grey	2	1000

BLIND RIVETS

Blind Rivets G49060810



G49060810



Sizes in mm

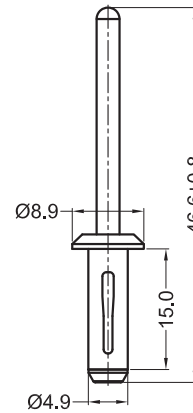
P/N.	Article No.	Body Material	Pin Material	Color	Hole	Panel Thickness	Packing Unit
20890	G49060810	PA6 UL94V2	POM UL94HB	Black	4.0-4.1	1.5-4.5	1000

Material: PA6 UL94V2 (GMS-10); POM UL94HB (GMS-16)

Blind Rivets G4907293A



G4907293A



Sizes in mm

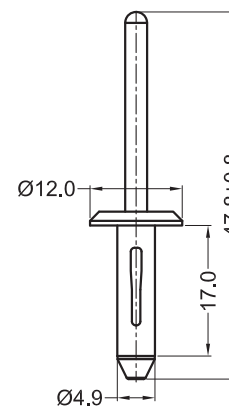
P/N.	Article No.	Body Material	Pin Material	Color	Hole	Panel Thickness	Packing Unit
20699	G4907293A	PA6 UL94V2	POM UL94HB	Black	5.0-5.1	3.0-4.0	1000

Material: PA6 UL94V2 (GMS-10); POM UL94HB (GMS-16)

Blind Rivets G4907293B



G4907293B



Sizes in mm

P/N.	Article No.	Body Material	Pin Material	Color	Hole	Panel Thickness	Packing Unit
20700	G4907293B	PA6 UL94V2	POM UL94HB	Black	5.0-5.1	3.0-6.0	1000

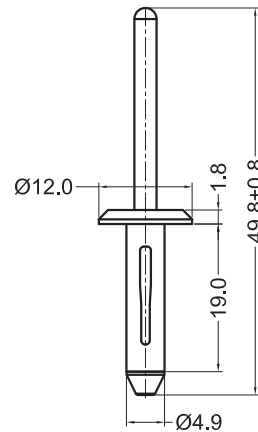
Material: PA6 UL94V2 (GMS-10); POM UL94HB (GMS-16)

BLIND RIVETS

Blind Rivets G4907293F



G4907293F



Sizes in mm

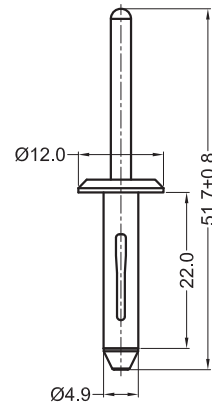
P/N.	Article No.	Body Material	Pin Material	Color	Hole	Panel Thickness	Packing Unit
20797	G4907293F	PA6 UL94V2	POM UL94HB	Black	5.0-5.1	3.0-7.2	1000

Material: PA6 UL94V2 (GMS-10); POM UL94HB (GMS-16)

Blind Rivets G4907293C



G4907293C



Sizes in mm

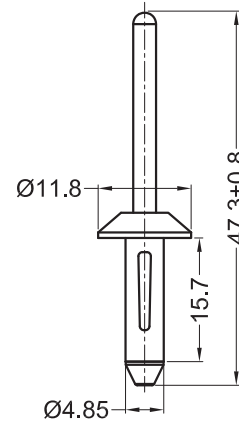
P/N.	Article No.	Body Material	Pin Material	Color	Hole	Panel Thickness	Packing Unit
20701	G4907293C	PA6 UL94V2	POM UL94HB	Black	5.0-5.1	6.0-10.0	1000

Material: PA6 UL94V2 (GMS-10); POM UL94HB (GMS-16)

Blind Rivets GA-CR50-48-01



GA-CR50-48-01



Sizes in mm

P/N.	Article No.	Body Material	Pin Material	Color	Hole	Panel Thickness	Packing Unit
20839	GA-CR50-48-01	PA6 UL94V2	POM UL94HB	Black	5.1-5.2	2.0-5.0	1000

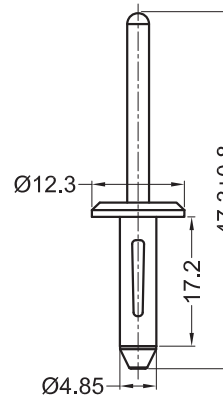
Material: PA6 UL94V2 (GMS-10); POM UL94HB (GMS-16)

BLIND RIVETS

Blind Rivets GA-CR50-48B-01



GA-CR50-48B-01



Sizes in mm

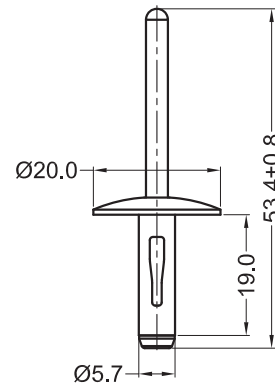
P/N.	Article No.	Body Material	Pin Material	Color	Hole	Panel Thickness	Packing Unit
20838	GA-CR50-48B-01	PA6 UL94V2	POM UL94HB	Black	5.1-5.2	3.1-5.5	1000

Material: PA6 UL94V2 (GMS-10); POM UL94HB (GMS-16)

Blind Rivets G49052980



G49052980



Sizes in mm

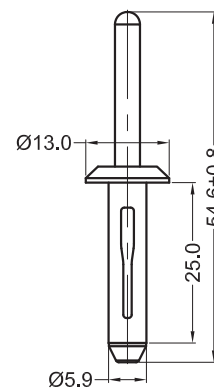
P/N.	Article No.	Body Material	Pin Material	Color	Hole	Panel Thickness	Packing Unit
20889	G49052980	PA6 UL94V2	POM UL94HB	Black	5.8-5.9	3.5-5.5	1000

Material: PA6 UL94V2 (GMS-10); POM UL94HB (GMS-16)

Blind Rivets G4907293D



G4907293D



Sizes in mm

P/N.	Article No.	Body Material	Pin Material	Color	Hole	Panel Thickness	Packing Unit
20706	G4907293D	PA6 UL94V2	POM UL94HB	Black	6.0-6.1	4.0-8.5	1000

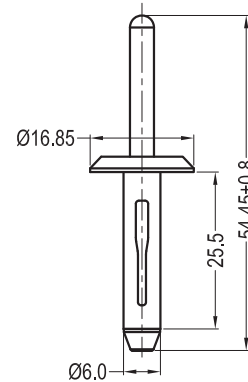
Material: PA6 UL94V2 (GMS-10); POM UL94HB (GMS-16)

BLIND RIVETS

Blind Rivets GA-CR58-54-01



GA-CR58-54-01



Sizes in mm

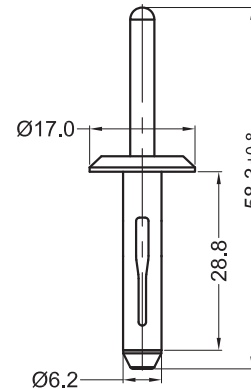
P/N.	Article No.	Body Material	Pin Material	Color	Hole	Panel Thickness	Packing Unit
20891	GA-CR58-54-01	PA6 UL94V2	POM UL94HB	Black	6.1-6.2	4.0-7.9	1000

Material: PA6 UL94V2 (GMS-10); POM UL94HB (GMS-16)

Blind Rivets GA-CR62-54B-01



GA-CR62-54B-01



Sizes in mm

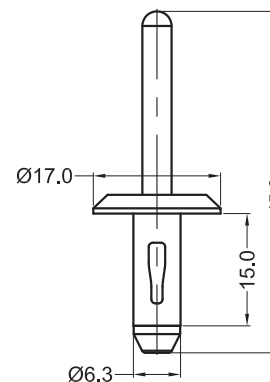
P/N.	Article No.	Body Material	Pin Material	Color	Hole	Panel Thickness	Packing Unit
20727	GA-CR62-54B-01	PA6 UL94V2	POM UL94HB	Black	6.3-6.4	7.5-11.5	1000

Material: PA6 UL94V2 (GMS-10); POM UL94HB (GMS-16)

Blind Rivets G4907293E



G4907293E



Sizes in mm

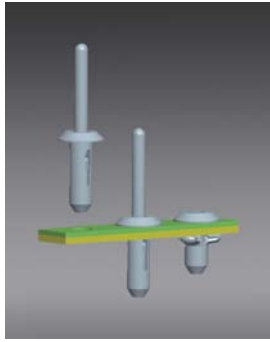
P/N.	Article No.	Body Material	Pin Material	Color	Hole	Panel Thickness	Packing Unit
20708	G4907293E	PA6 UL94V2	POM UL94HB	Black	6.4-6.5	4.0-6.0	1000

Material: PA6 UL94V2 (GMS-10); POM UL94HB (GMS-16)

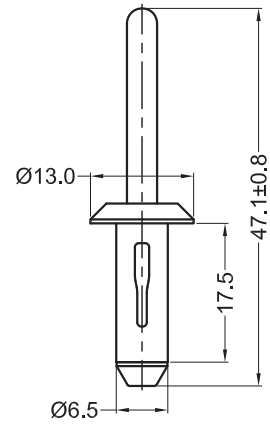


BLIND RIVETS

Blind Rivets G49071780



G49071780



Sizes in mm

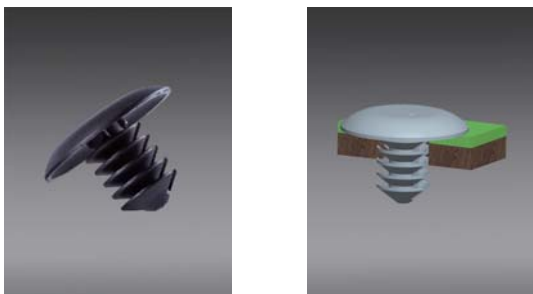
<u>P/N.</u>	<u>Article No.</u>	<u>Body Material</u>	<u>Pin Material</u>	<u>Color</u>	<u>Hole</u>	<u>Panel Thickness</u>	<u>Packing Unit</u>
20888	G49071780	PA6 UL94V2	POM UL94HB	Black	6.6-6.7	2.5-5.0	1000

Material: PA6 UL94V2 (GMS-10); POM UL94HB (GMS-16)

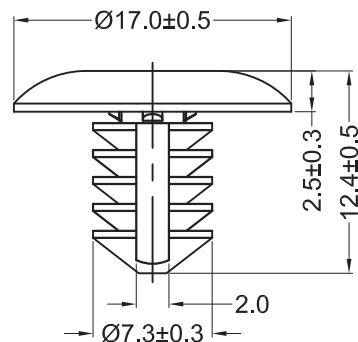
BARBED PUSH FASTENERS

Barbed Push Fasteners

G1533887



G1533887



Sizes in mm

P/N.	Article No.	Material	Color	Hole	Panel Thickness	Packing Unit
10037	G1533887	PA66 UL94HB	Black	6.0±0.08	0.8-3.9	1000

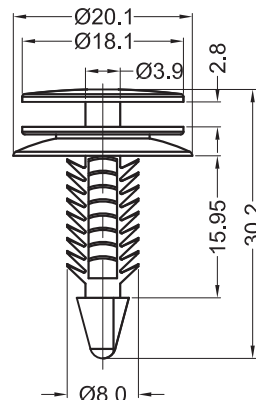
Material: PA66 UL94HB (GMS-34)

Barbed Push Fasteners

GA-E-147-07



GA-E-147-07



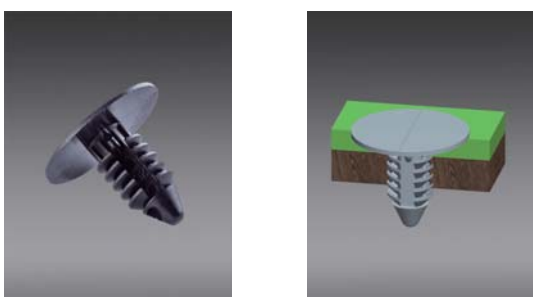
Sizes in mm

P/N.	Article No.	Material	Color	Hole	Panel Thickness	Packing Unit
60405	GA-E-147-07	PA66 UL94V2	Natural	6.5±0.08	2.0-12.0	1000
60639	GA-E-147-07B	PA66 UL94V2	Black	6.5±0.08	2.0-12.0	1000

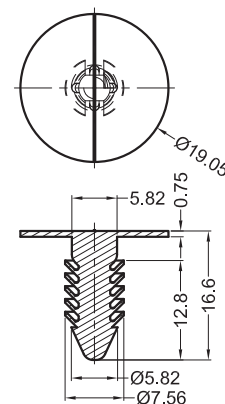
Material: PA66 UL94V2 (GMS-01)

Barbed Push Fasteners

GL0133108AA01



GL0133108AA01



Sizes in mm

P/N.	Article No.	Material	Color	Hole	Panel Thickness	Packing Unit
10043	GL0133108AA01	PA66 UL94HB	Black	6.35±0.08	2.69-7.29	1000

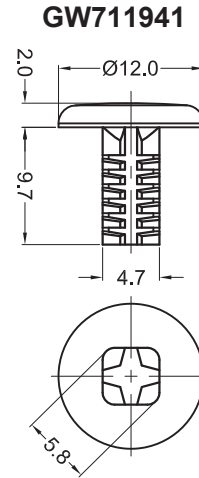
Material: PA66 UL94HB (GMS-34)



BARBED PUSH FASTENERS

Barbed Push Fasteners

GW711941



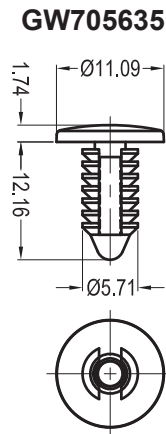
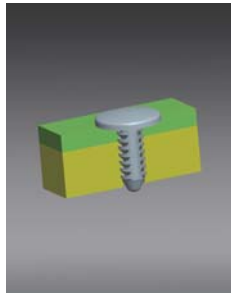
Sizes in mm

P/N.	Article No.	Material	Color	Hole	Panel Thickness	Packing Unit
10049	GW711941	PA66 UL94V2	Black	5.0±0.08	6.0	1000

Material: PA66 UL94V2 (GMS-01)

Barbed Push Fasteners

GW705635



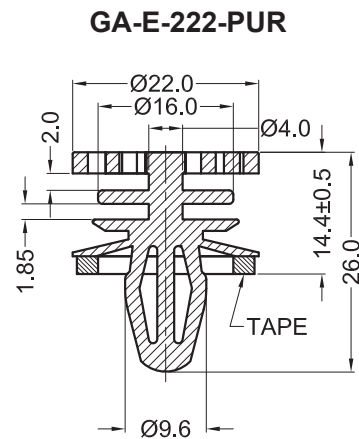
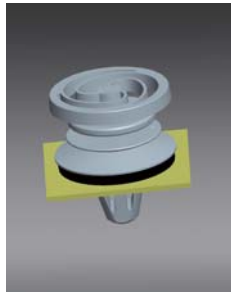
Sizes in mm

P/N.	Article No.	Cross-Ref.	Material	Color	Hole	Panel Thickness	Packing Unit
10062	GW705635	167 1035 699 02	PA66 UL94HB	Black	4.75±0.08	0.76-6.68	1000

Material: PA66 UL94V2 (GMS-33)

Door Clips/Barbed Push Fasteners

GA-E-222-PUR



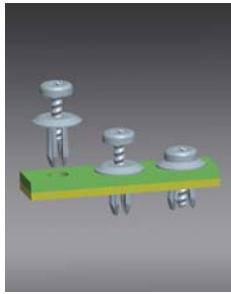
Sizes in mm

P/N.	Article No.	Foot Material	Cushion Material	Color	Hole	Panel Thickness	Packing Unit
10011	GA-E-222-PUR	POM UL94HB	EVA Tape	Black	8.5±0.08	1.0	1000

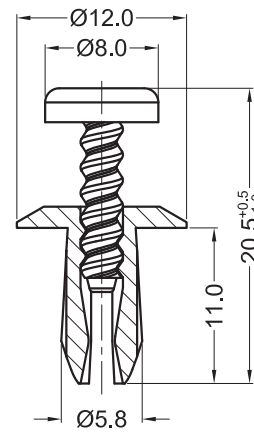
Material: POM UL94HB (GMS-16); EVA Tape (GMS-54)

SCREW RIVETS

Screw Rivets GUSR1131



GUSR1131



Sizes in mm

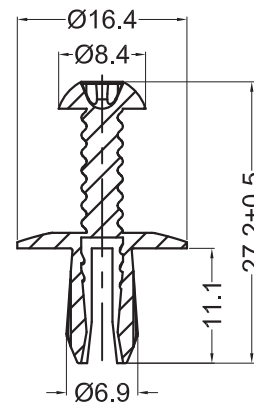
P/N.	Article No.	Cross-Ref.	Material	Color	Hole	Panel Thickness	Packing Unit
10024	GUSR1131NEW	USR-1131	PA66 UL94V2	Black	5.0±0.08	4.0-7.0	1000

Material: PA66 UL94V2 (GMS-01)

Screw Rivets GUSR1132



GUSR1132

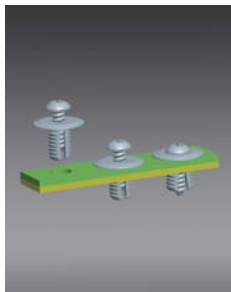


Sizes in mm

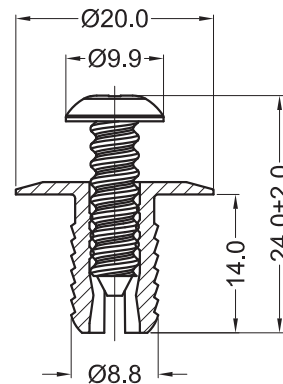
P/N.	Article No.	Cross-Ref.	Material	Color	Hole	Panel Thickness	Packing Unit
20836	GUSR-1132	USR-1132	PA66 UL94V2	Black	6.0±0.08	1.5-6.0	1000

Material: PA66 UL94V2 (GMS-01)

Screw Rivets GUSR1133



GUSR1133



Sizes in mm

P/N.	Article No.	Cross Ref.	Head Type	Material	Color	Hole	Panel Thickness	Packing Unit
10005	GUSR1133	USR-1133	Cross	PA66 UL94V2	Black	8.5-8.8	3.0-10.0	1000
10006	GUSR1133N	-	Cross	PA66 UL94V2	Natural	8.5-8.8	3.0-10.0	1000
10007	GUSR1133T-20	-	Torx	PA66 UL94V2	Black	8.5-8.8	3.0-10.0	1000

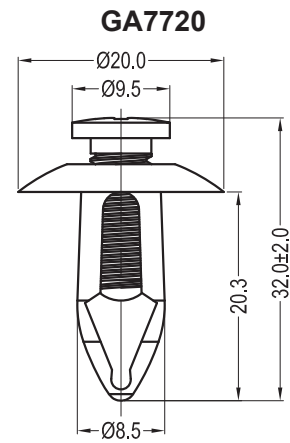
Material: PA66 UL94V2 (GMS-01)



SCREW RIVETS

Screw Rivets

GA7720



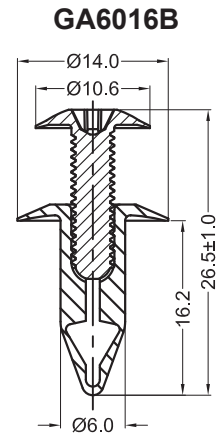
Sizes in mm

P/N.	Article No.	Body Material	Pin Material	Color	Hole	Panel Thickness	Packing Unit
10000	GA7720B	PA6 UL94V2	POM UL94HB	Black	8.0±0.08	3.5-4.5	1000
10021	GA7720W	PA6 UL94V2	POM UL94HB	White	8.0±0.08	3.5-4.5	1000

Material: PA6 UL94V2 (GMS-31); POM UL94HB (GMS-16)

Screw Rivets

GA6016B



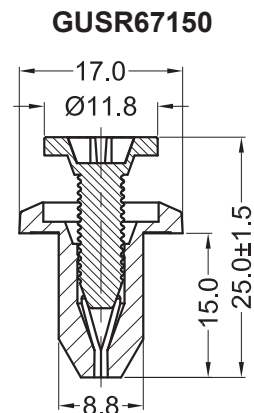
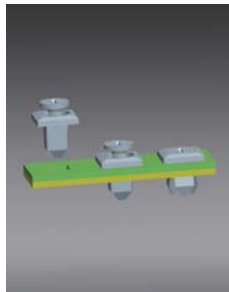
Sizes in mm

P/N.	Article No.	Body Material	Pin Material	Color	Hole	Panel Thickness	Packing Unit
10016	GA6016B	PA6 UL94V2	POM UL94HB	Black	6.1±0.08	2.0-3.0	1000

Material: PA6 UL94V2 (GMS-31); POM UL94HB (GMS-16)

Screw Rivets

GUSR67150



Sizes in mm

P/N.	Article No.	Material	Color	Hole	Panel Thickness	Packing Unit
10008	GUSR67150G	PVC Flame Retardant	Grey	□ 9.0x9.0(±0.08)	6.7	1000
10009	GUSR67150B	PVC Flame Retardant	Black	□ 9.0x9.0(±0.08)	6.7	1000

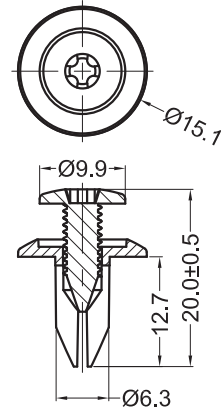
Material: PVC FLAME RETARDANT (GMS-60)

SCREW RIVETS

Screw Rivets GUSR64125



GUSR64125

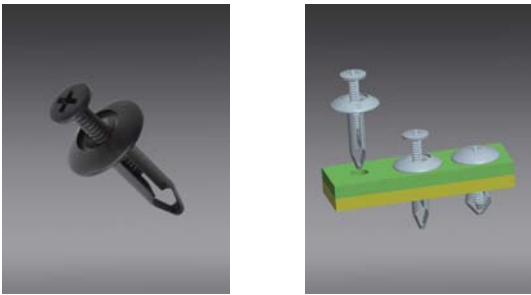


Sizes in mm

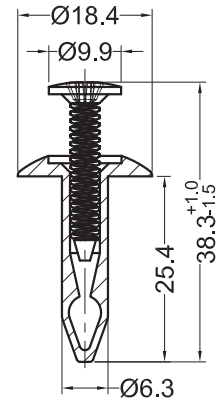
P/N.	Article No.	Cross Ref.	Material	Color	Hole	Panel Thickness	Packing Unit
21351	GUSR64125	USR-64125	PA6 UL94V2	Black	6.4±0.08	3.2-4.4	1000

Material:PA6 UL94V2 (GMS-10)

Screw Rivets GA6325B



GA6325B



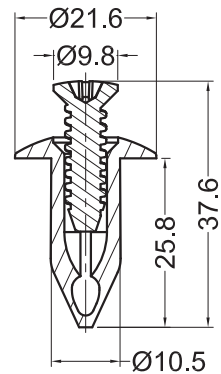
Sizes in mm

P/N.	Article No.	Material	Color	Hole	Panel Thickness	Packing Unit
10065	GA6325B	PA6 UL94V2	Black	6.5±0.08	4.0-11.0	1000

Screw Rivets GA1126B



GA1126B



Sizes in mm

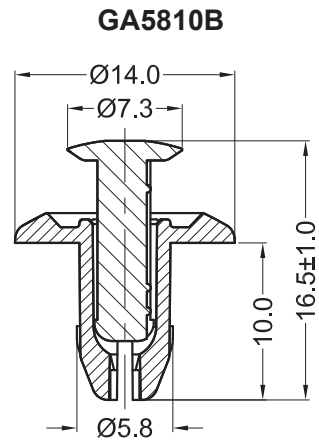
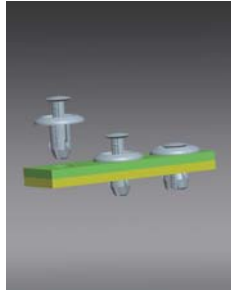
P/N.	Article No.	Material	Color	Hole	Panel Thickness	Packing Unit
21361	GA1126B	PA6 UL94V2	Black	10.8±0.08	6.0-11.0	1000



PUSH LOCK RIVETS

Push Lock Rivets

GA5810B



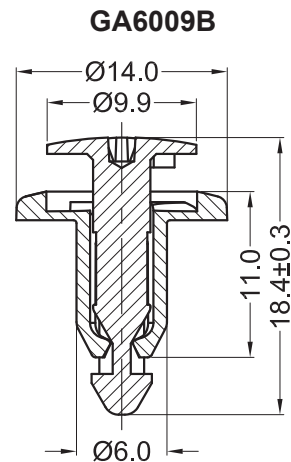
Sizes in mm

P/N.	Article No.	Material	Color	Hole	Panel Thickness	Packing Unit
10030	GA5810B	POM UL94HB	Black	6.0±0.08	4.1-5.0	1000

Material: POM UL94HB (GMS-16)

Push Lock Rivets

GA6009B



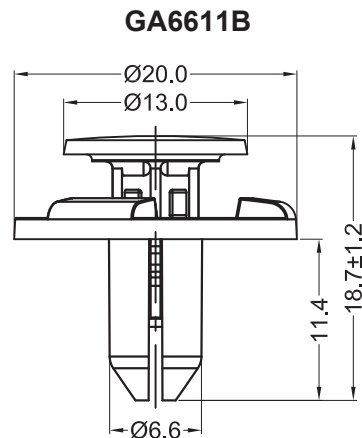
Sizes in mm

P/N.	Article No.	Material	Color	Hole	Panel Thickness	Packing Unit
10025	GA6009B	POM UL94HB	Black	6.1-6.2	2.0-4.5	1000

Material: POM UL94HB (GMS-16)

Push Lock Rivets

GA6611B



Sizes in mm

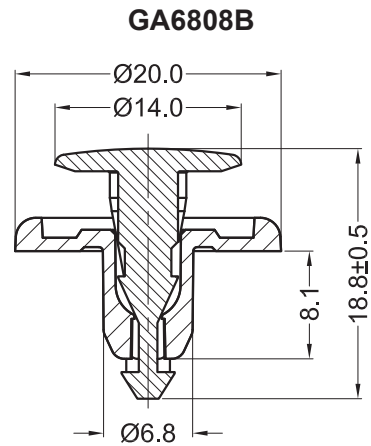
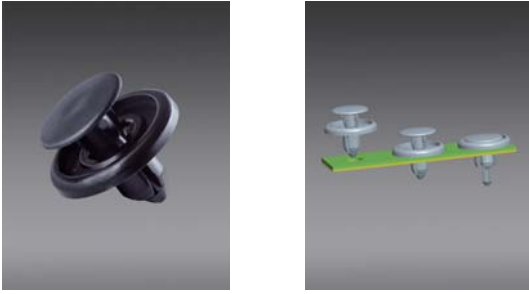
P/N.	Article No.	Material	Color	Hole	Panel Thickness	Packing Unit
10026	GA6611B	POM UL94HB	Black	6.7-6.8	1.0-4.0	1000

Material: POM UL94HB (GMS-16)

PUSH LOCK RIVETS

Push Lock Rivets

GA6808B



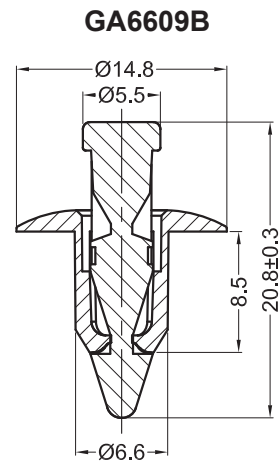
Sizes in mm

P/N.	Article No.	Body Material	Pin Material	Color	Hole	Panel Thickness	Packing Unit
10028	GA6808B	POM UL94HB	PBT+GF UL94V0	Black	7.0±0.08	1.5-2.5	1000

Material: POM UL94HB (GMS-16); PBT+GF UL94V0 (GMS-50)

Push Lock Rivets

GA6609B



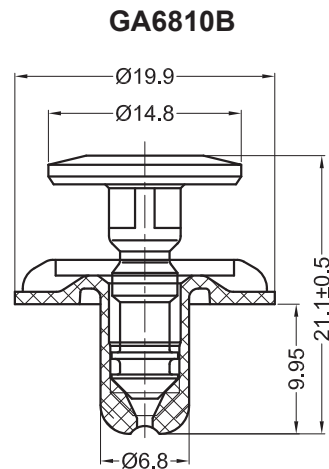
Sizes in mm

P/N.	Article No.	Material	Color	Hole	Panel Thickness	Packing Unit
10027	GA6609B	POM UL94HB	Black	7.0±0.08	3.0-3.5	1000

Material: POM UL94HB (GMS-16)

Push Lock Rivets

GA6810B



Sizes in mm

P/N.	Article No.	Body Material	Pin Material	Color	Hole	Panel Thickness	Packing Unit
10001	GA6810B	POM UL94HB	PP UL94HB	Black	7.0±0.08	2.5-5.0	1000

Material: POM UL94HB (GMS-16); PP UL94HB (GMS-26)



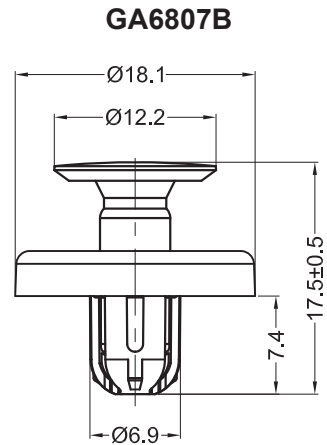
sales@sucatec.com



www.sucatec.com

PUSH LOCK RIVETS

Push Lock Rivets GA6807B

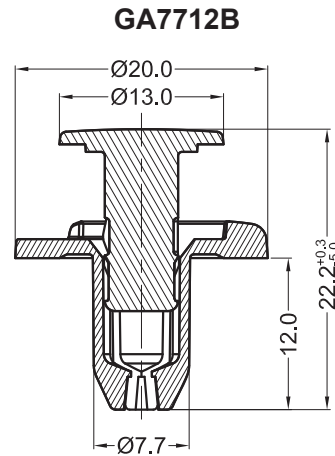


Sizes in mm

P/N.	Article No.	Material	Color	Hole	Panel Thickness	Packing Unit
10020	GA6807B	POM UL94HB	Black	7.2±0.08	3.0-4.0	1000

Material: POM UL94HB (GMS-16)

Push Lock Rivets GA7712B

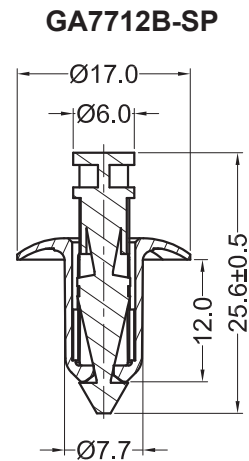
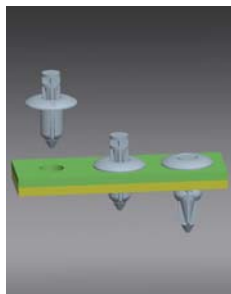


Sizes in mm

P/N.	Article No.	Material	Color	Hole	Panel Thickness	Packing Unit
10031	GA7712B	POM UL94HB	Black	7.8±0.08	3.0-6.0	1000

Material: POM UL94HB (GMS-16)

Push Lock Rivets GA7712B-SP

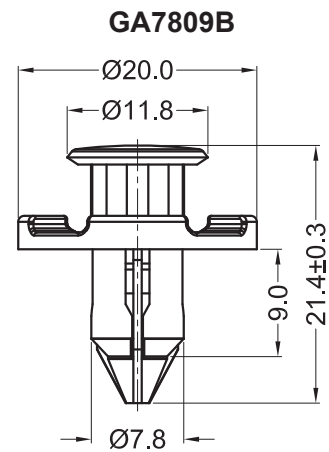


Sizes in mm

P/N.	Article No.	Material	Color	Hole	Panel Thickness	Packing Unit
10054	GA7712B-SP	POM UL94HB	Black	7.9±0.08	3.0-7.0	1000

PUSH LOCK RIVETS

Push Lock Rivets GA7809B

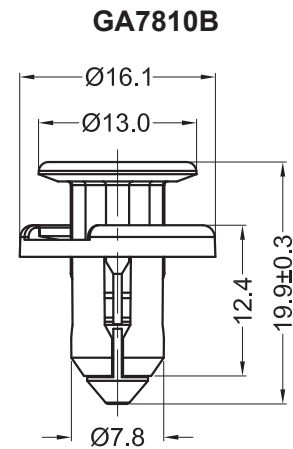


Sizes in mm

P/N.	Article No.	Material	Color	Hole	Panel Thickness	Packing Unit
10003	GA7809B	POM UL94HB	Black	8.0±0.08	3.0-5.0	1000

Material: POM UL94HB (GMS-16)

Push Lock Rivets GA7810B

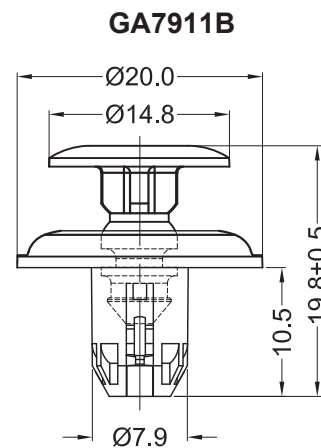


Sizes in mm

P/N.	Article No.	Material	Color	Hole	Panel Thickness	Packing Unit
10010	GA7810B	POM UL94HB	Black	8.0±0.08	4.5-4.8	1000

Material: POM UL94HB (GMS-16)

Push Lock Rivets GA7911B



Sizes in mm

P/N.	Article No.	Body Material	Pin Material	Color	Hole	Panel Thickness	Packing Unit
10023	GA7911B	POM UL94HB	PP UL94HB	Black	8.0±0.08	2.5-5.0	1000

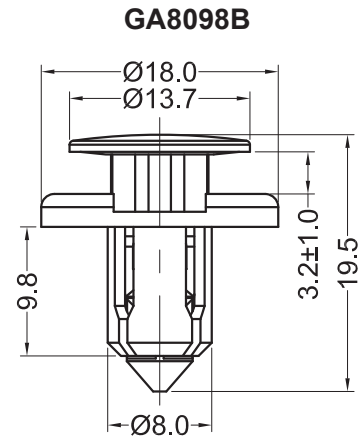
Material: POM UL94HB (GMS-16); PP UL94HB (GMS-26)



PUSH LOCK RIVETS

Push Lock Rivets

GA8098B

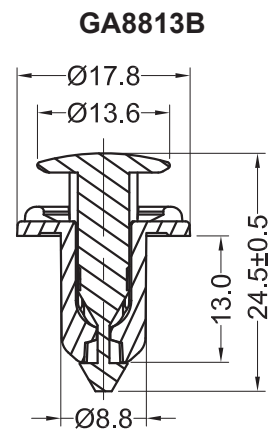


Sizes in mm

P/N.	Article No.	Material	Color	Hole	Panel Thickness	Packing Unit
21553	GA8098B	POM UL94HB	Black	8.1 ± 0.08	3.0-6.0	1000

Push Lock Rivets

GA8813B

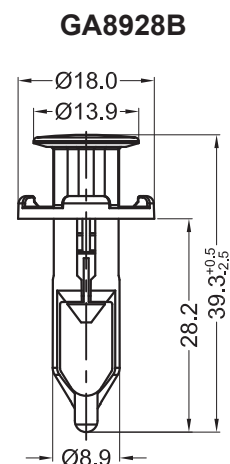


Sizes in mm

P/N.	Article No.	Material	Color	Hole	Panel Thickness	Packing Unit
10053	GA8813B	POM UL94HB	Black	8.9 ± 0.08	4.0-7.0	1000

Push Lock Rivets

GA8928B



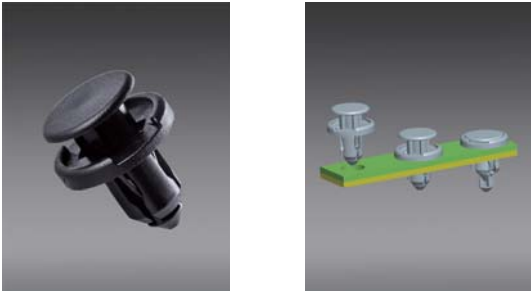
Sizes in mm

P/N.	Article No.	Body Material	Pin Material	Color	Hole	Panel Thickness	Packing Unit
10019	GA8928B	POM UL94HB	PBT+GF UL94V0	Black	9.0 ± 0.08	3.8-4.8	1000

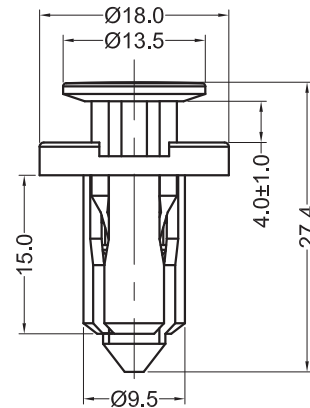
Material: POM UL94HB (GMS-16); PBT+GF UL94V0 (GMS-50)

PUSH LOCK RIVETS

Push Lock Rivets GA95150B



GA95150B



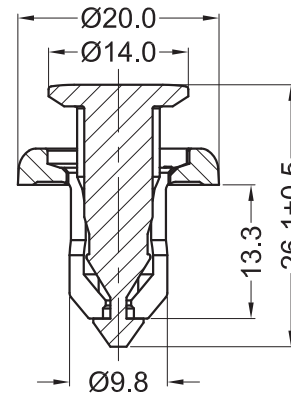
Sizes in mm

<u>P/N.</u>	<u>Article No.</u>	<u>Material</u>	<u>Color</u>	<u>Hole</u>	<u>Panel Thickness</u>	<u>Packing Unit</u>
21554	GA95150B	POM UL94HB	Black	9.8±0.08	6.5-11.5	1000

Push Lock Rivets GA9813B



GA9813B



Sizes in mm

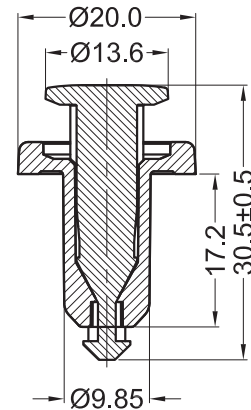
<u>P/N.</u>	<u>Article No.</u>	<u>Body Material</u>	<u>Pin Material</u>	<u>Color</u>	<u>Hole</u>	<u>Panel Thickness</u>	<u>Packing Unit</u>
10018	GA9813B	POM UL94HB	PP UL94HB	Black	10.0±0.08	5.5-7.0	1000

Material: POM UL94HB (GMS-16); PP UL94HB (GMS-26)

Push Lock Rivets GA9917B



GA9917B



Sizes in mm

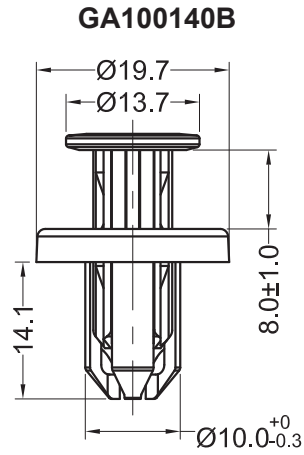
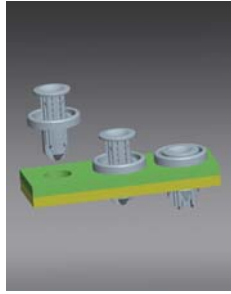
<u>P/N.</u>	<u>Article No.</u>	<u>Material</u>	<u>Color</u>	<u>Hole</u>	<u>Panel Thickness</u>	<u>Packing Unit</u>
10029	GA9917B	POM UL94HB	Black	10.0±0.08	7.0-8.0	1000

Material: POM UL94HB (GMS-16)



PUSH LOCK RIVETS

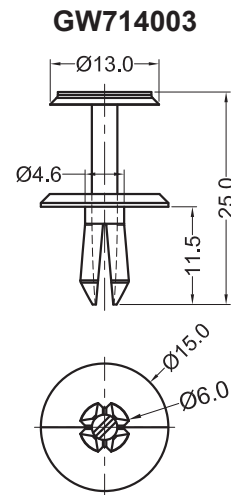
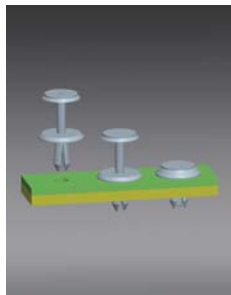
Push Lock Rivets GA100140B



Sizes in mm

P/N.	Article No.	Material	Color	Hole	Panel Thickness	Packing Unit
21555	GA100140B	POM UL94HB	Black	10.0±0.08	5.0-9.0	1000

Push Lock Rivets GW714003

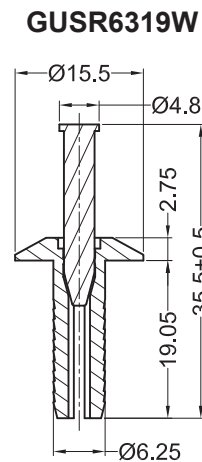


Sizes in mm

P/N.	Article No.	Material	Color	Hole	Panel Thickness	Packing Unit
10087	GW714003	POM UL94HB	Black	4.75±0.2	3.0-6.0	1000

Material: POM UL94HB (GMS-62)

Push Lock Rivets GUSR6319W

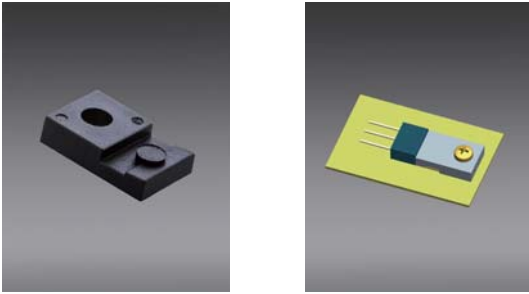


Sizes in mm

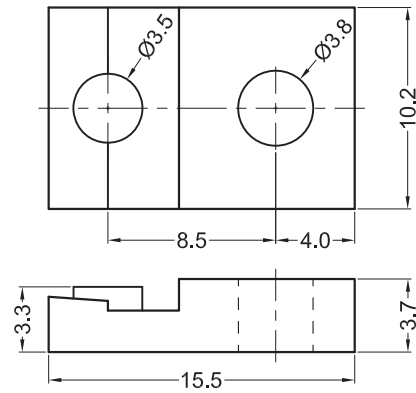
P/N.	Article No.	Cross-Ref.	Body Material	Pin Material	Color	Hole	Panel Thickness	Packing Unit
21506	GUSR6319W	61APT25075	PA66 UL94HB	POM UL94HB	White	6.35±0.2	2.0-10.0	1000

Material: PA66 UL94HB (GMS-08); POM UL94HB (GMS-62)

High Temp Transistor Cover GIEC-TO-220-18



GIEC-TO-220-18



Sizes in mm

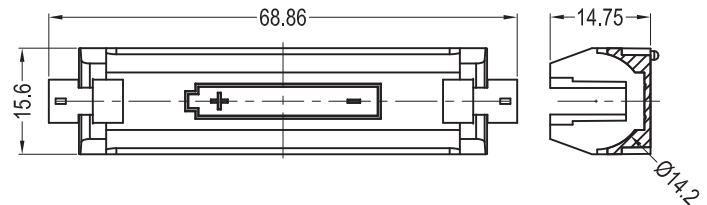
P/N.	Article No.	Cross-Ref.	Material	Color	Packing Unit
60221	GIEC-TO-220-18	IEC-TO-220-18	PA66+GF UL94HB	Black	1000

Material: PA66+GF UL94HB(GMS-36)

Battery Holder G-Battery Holder



G-Battery Holder

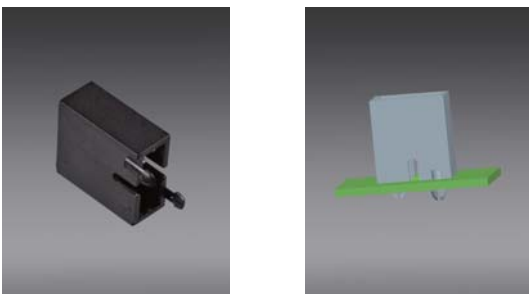


Sizes in mm

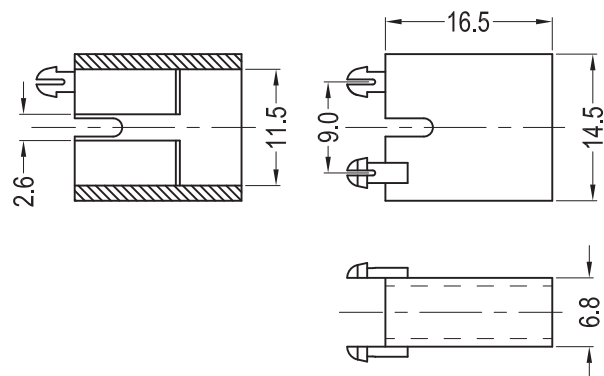
P/N.	Article No.	Base Material	Shrapnel Material	Color	Packing Unit
30213	G-Battery Holder	PA46+GF UL94V0	Phosphor Bronze	Black	1000

Material: PA46+GF UL94V0 (GMS-48); Phosphor Bronze (GMS-57)

Attenuator Holder GPH.041791



GPH.041791

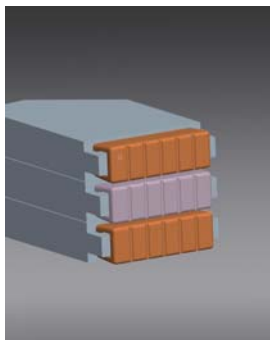


Sizes in mm

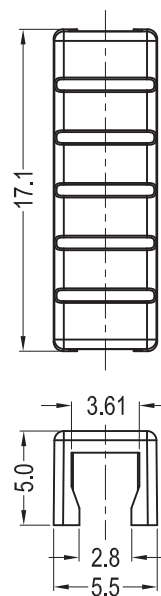
P/N.	Article No.	Material	Color	Packing Unit
60920	GPH.041791	PA6+GF UL94HB	Black	1000

Material: PA6+GF UL94HB (GMS-12)

Clip CLO-2L



CLO-2L

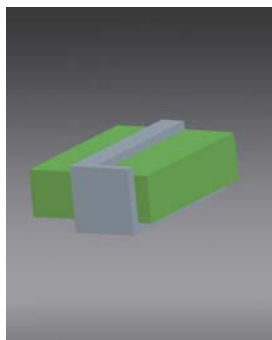


Sizes in mm

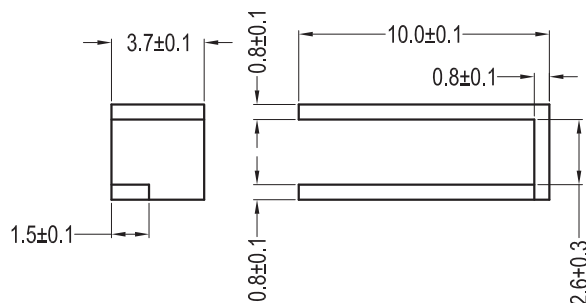
<u>P/N.</u>	<u>Article No.</u>	<u>Material</u>	<u>Color</u>	<u>Notes</u>	<u>Packing Unit</u>
60186	CLO-2L RAL2008	PA66 UL94V0	Bright Red Orange	With Fluorescence	1000
60187	CLO-2L RAL9010	PA66 UL94V0	Pure White	With Fluorescence	1000
60188	CLO-2L RAL4004	PA66 UL94V0	Claret Violet	With Fluorescence	1000
60189	CLO-2L RAL3014	PA66 UL94V0	Antique Pink	With Fluorescence	1000
60190	CLO-2L RAL7026	PA66 UL94V0	Granite Grey	With Fluorescence	1000
60191	CLO-2L RAL4006	PA66 UL94V0	Traffic Purple	With Fluorescence	1000
60192	CLO-2L RAL6002	PA66 UL94V0	Leaf Green	With Fluorescence	1000
60225	CLO-2L RAL5005	PA66 UL94V0	Signal Blue	Without Fluorescence	1000
60226	CLO-2L RAL3020	PA66 UL94V0	Traffic Red	Without Fluorescence	1000
60227	CLO-2L RAL1016	PA66 UL94V0	Sulfur Yellow	Without Fluorescence	1000
60228	CLO-2L RAL8023	PA66 UL94V0	Orange Brown	Without Fluorescence	1000
60229	CLO-2L RAL6027	PA66 UL94V0	Light Green	Without Fluorescence	1000
60333	CLO-2L RAL8001	PA66 UL94V0	Ochre Brown	Without Fluorescence	1000
60358	CLO-2L RAL6002	PA66 UL94V0	Leaf Green	Without Fluorescence	1000

Material: PA66 UL94V0 (GMS-49)

Tray Clip



Tray Clip

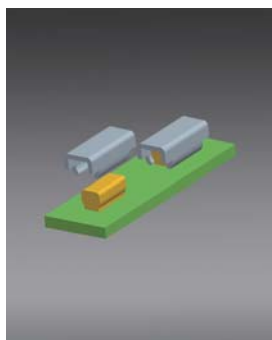


Sizes in mm

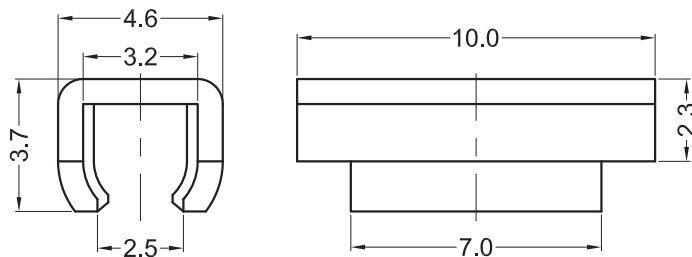
P/N.	Article No.	Material	Color	Packing Unit
60935	TRAY CLIP-RAL6037	ABS + Antisatic	Pure green	1000
60936	TRAY CLIP-RAL4006	ABS + Antisatic	Traffic purple	1000
60937	TRAY CLIP-RAL8023	ABS + Antisatic	Orange brown	1000
60938	TRAY CLIP-RAL3015	ABS + Antisatic	Light pink	1000
60939	TRAY CLIP-RAL4011	ABS + Antisatic	Peal violet	1000
60940	TRAY CLIP-RAL6027	ABS + Antisatic	Light green	1000
60941	TRAY CLIP-RAL2000	ABS + Antisatic	Yellow orange	1000
60942	TRAY CLIP-RAL3026	ABS + Antisatic	Luminous bright red	1000

Material: ABS+Antisatic (GMS-59)

PCB Plastic Cover



PCB Plastic Cover



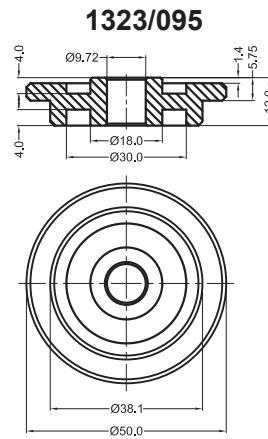
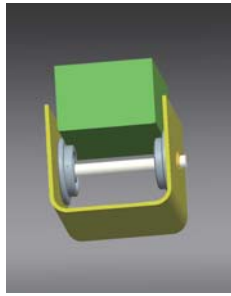
Sizes in mm

P/N.	Article No.	Material	Color	Packing Unit
80584	PCB Plastic Cover	PA6 UL94V2	White	1000

Material: PA6 UL94V2 (GMS-10)

SPECIAL

Nylon Roller 1323/095



Sizes in mm

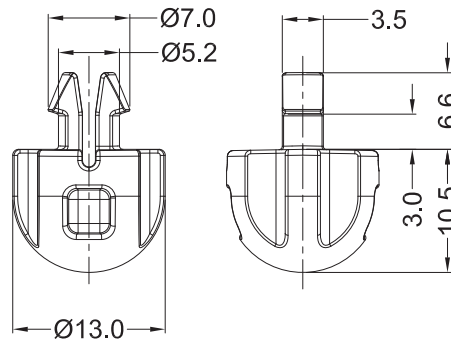
P/N.	Article No.	Material	Color	Packing Unit
60778	1323/095	PA6 UL94V2	Natural	50

Material: PA6 UL94V2 (GMS-10)

Stopper G156143140



G156143140

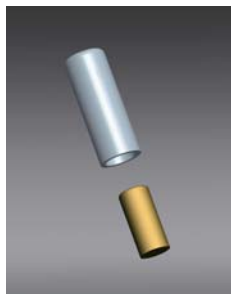


Sizes in mm

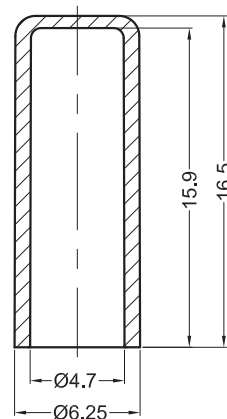
P/N.	Article No.	Material	Color	Packing Unit
10068	G156143140	PA6+GF UL94HB	Black	1000

Material: PA6+GF UL94HB (GMS-38)

Protecting Cap GS-3/16



GS-3/16

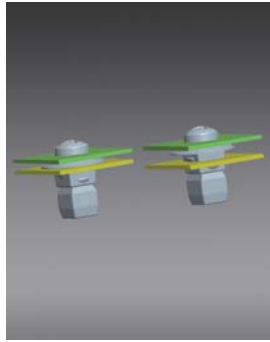


Sizes in mm

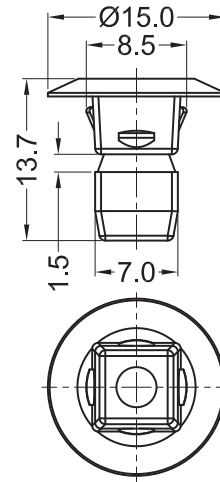
P/N.	Article No.	Material	Color	Packing Unit
10040	GS-3/16	LDPE	Red	1000

Material: LDPE (GMS-24)

Expanding Nut GA-I-34-01



GA-I-34-01

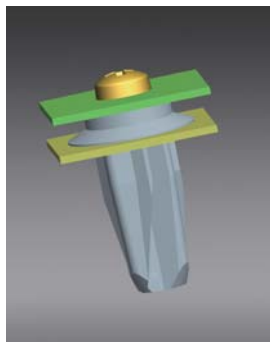


Sizes in mm

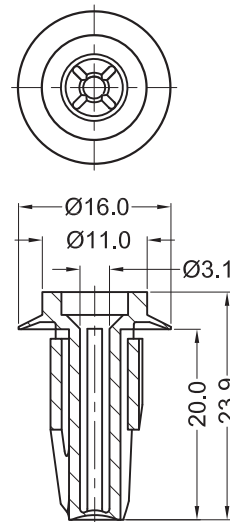
P/N.	Article No.	Material	Color	Hole	Panel Thickness	Packing Unit
10014	GA-I-34-01	PA66 UL94V2	Black	□7.5x7.5 (±0.08)	0.9, 2.9	1000

Material: PA66 UL94V2 (GMS-01)

Lokut Nut GLN405PA66



GLN405PA66



Sizes in mm

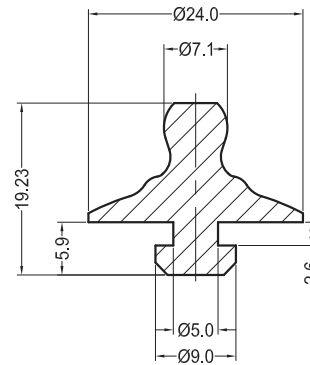
P/N.	Article No.	Material	Color	Hole	Panel Thickness	Packing Unit
10038	GLN405PA66	PA66 UL94V2	Natural	□8.3x8.3 (±0.08)	0.8-1.6	1000

Material: PA66 UL94V2 (GMS-01)

PIN Retaining GBM51-A466K45-A



GBM51-A466K45-A



Sizes in mm

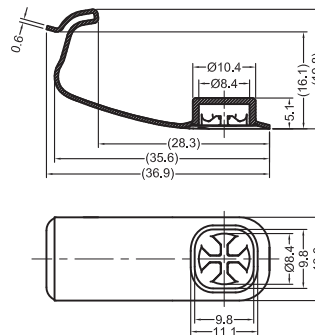
P/N.	Article No.	Material	Color	Packing Unit
10080	GBM51-A466K45-A1	PA66 UL94V2	LU9 Dark	1000
10081	GBM51-A466K45-A2	PA66 UL94V2	ZHEA EBONY	1000

Material: PA66 UL94V2 (GMS-09)

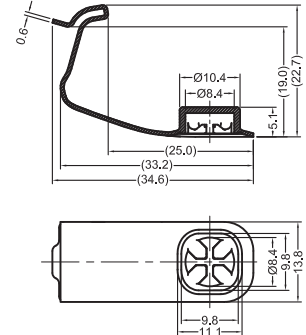
Clips GBRKT-YN1



GBRKT-YN1-FR



GBRKT-YN1-RR

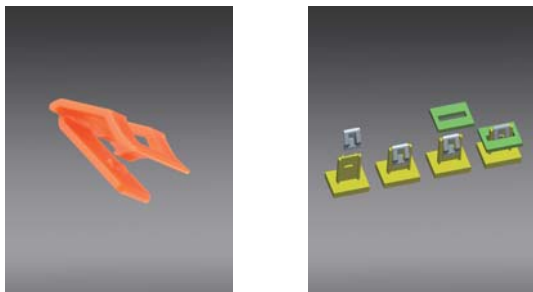


Sizes in mm

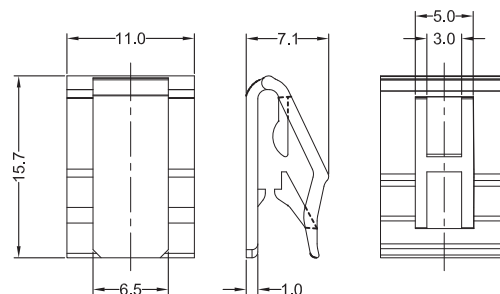
P/N.	Article No.	Material	Color	Packing Unit
10032	GBRKT-YN1-FR	POM UL94HB	Black	200
10033	GBRKT-YN1-RR	POM UL94HB	Black	200

Material: POM UL94HB (GMS-16)

Clips GW716169



GW716169



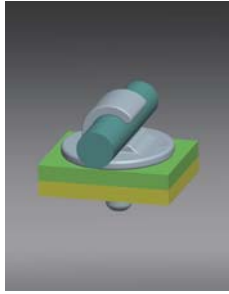
Sizes in mm

P/N.	Article No.	Material	Color	Packing Unit
10079	GW716169	POM UL94HB	Orange	1000
10098	GW716169N	POM UL94HB	Natural	1000

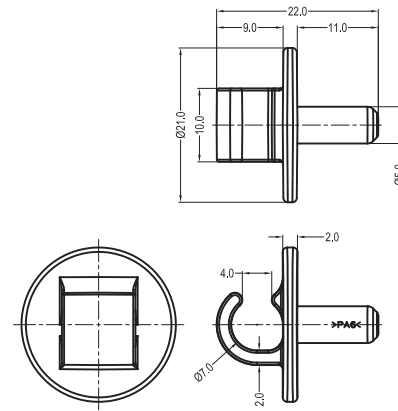
Material: POM UL94HB (GMS-62)

SPECIAL

Clips Net Clip



Net Clip

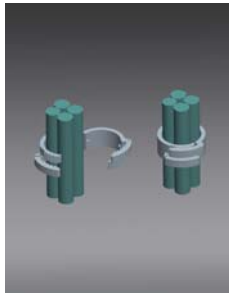


Sizes in mm

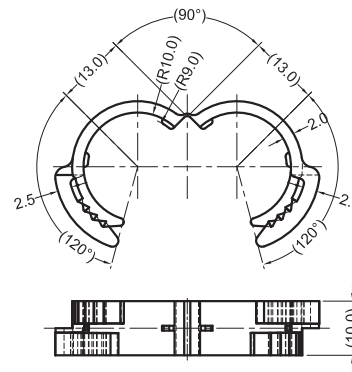
P/N.	Article No.	Material	Color	Packing Unit
10084	Net Clip	PA6 UL94V2	Black	1000

Material: PA6 UL94V2 (GMS-31)

Clips G70094086



G70094086

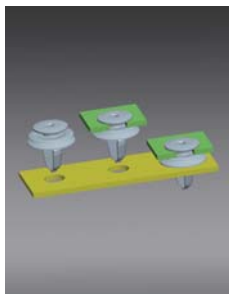


Sizes in mm

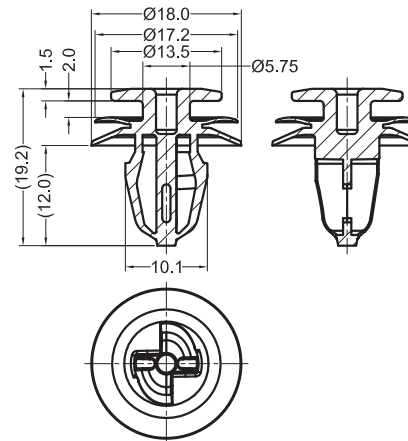
P/N.	Article No.	Material	Color	Packing Unit
10088	G70094086	PA6 UL94V2	Black	500

Material: PA6 UL94V2 (GMS-10)

Clips GW780404



GW780404



Sizes in mm

P/N.	Article No.	Material	Color	Packing Unit
10096	GW780404	POM UL94HB	Natural	1000

Material: POM UL94HB (GMS-67)

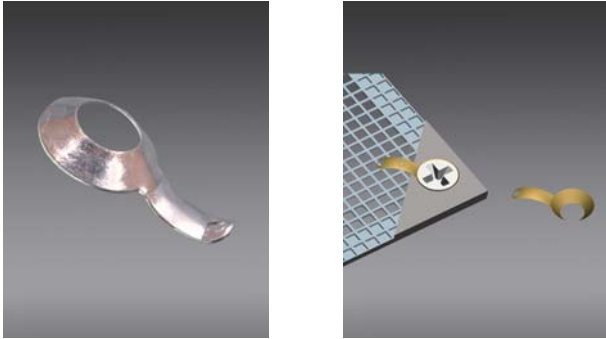


sales@sucatec.com

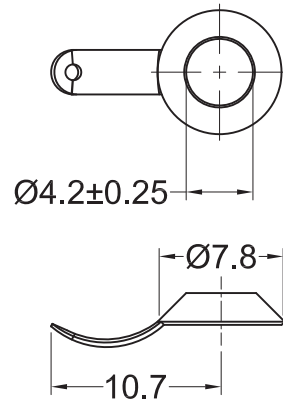


www.sucatec.com

Fan Ground Finger RCP GFFCOMA



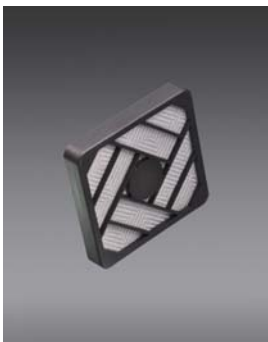
GFFCOMA



Sizes in mm

P/N.	Article No.	Material	Packing Unit
61281	GFFCOMA	Brass Tin Plated	1000

Fan Filters GFFCP



GFFCP

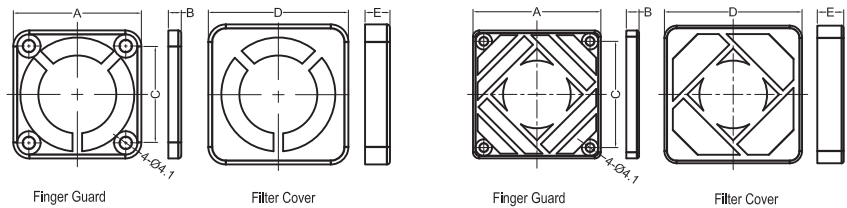


Fig.1

Fig.2

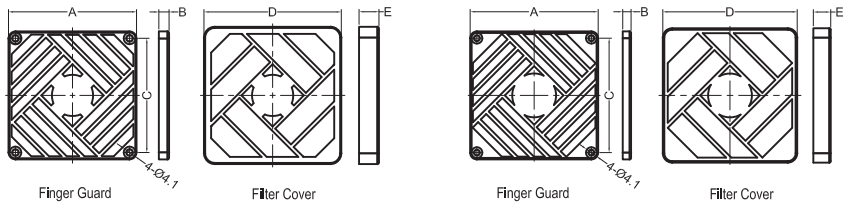


Fig.3

Fig.4

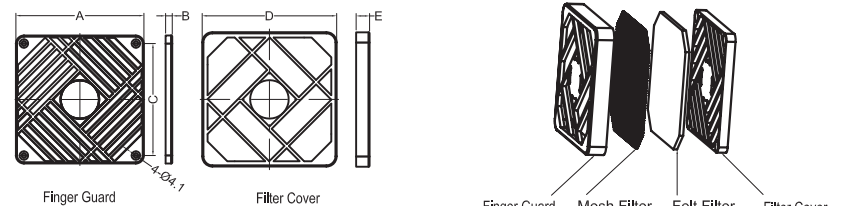


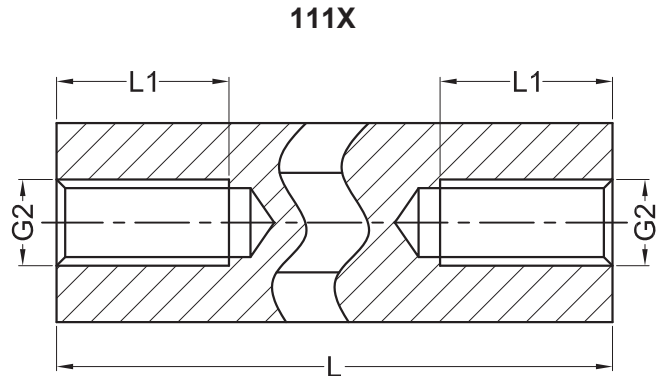
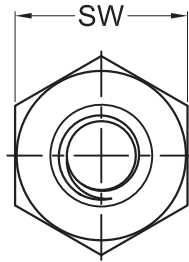
Fig.5

Sizes in mm

P/N.	Article No.	A	B	C	D	E	FIG.	Packing Unit
30354	GFFCP040	42.7	4.3	32.0	46.7	8.3	1	50
30355	GFFCP060	60.4	6.0	50.2	65.0	12.5	2	20
30356	GFFCP080	80.7	6.4	72.0	86.6	12.5	3	10
30357	GFFCP092	92.3	6.0	82.5	96.9	12.5	4	10
30358	GFFCP120	120.0	6.2	105.0	126.0	12.6	5	10

Material: Filter Cover & Guard: PA66+GF UL94V0, Color: Black;
Felt Filter: Polyester; Color: White;
Mesh Filter: Stainless Steel AISI 304

Hex Spacer - Female / Female Nickel Plated Brass 2.0401/DMS 100/G3E Metric Thread 111 111X



Sizes in mm

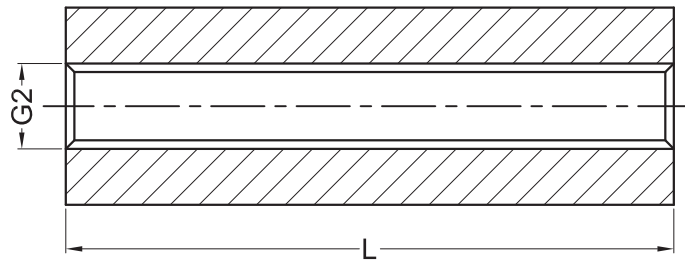
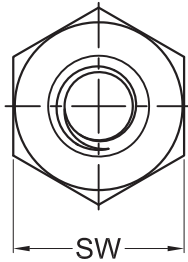
Thread Lengths		
L	L1 (M2)	L1 (M2.5 to M8)
5	5	5
6	6	6
8	8	8
10	10	10
12	6	12
15	6	15
18	6	9
From 20	6	10

Article No.	Material	Surface	SW	G2	Standard "L" Length	Packing Unit
111 x L (Length)	Brass 2.0401	Nickel Plated	SW4	M2	5,6,8,10,12,15,18,20,25,30,35,40,45,50	100
1112 x L	Brass 2.0401	Nickel Plated	SW4	M2.5	5,6,8,10,12,15,18,20,25,30,35,40,45,50	100
112 x L	Brass 2.0401	Nickel Plated	SW5	M2.5	5,6,8,10,12,15,18,20,25,30,35,40,45,50,55,60	100
113 x L	Brass 2.0401	Nickel Plated	SW5	M3	5,6,8,10,12,15,18,20,25,30,35,40,45,50,55,60	100
114 x L	Brass 2.0401	Nickel Plated	SW5.5	M3	5,6,8,10,12,15,18,20,25,30,35,40,45,50,55,60,65,70	100
115 x L	Brass 2.0401	Nickel Plated	SW6	M3	5, 8,10,12,15,18,20,25,30,35,40,45,50,55,60,65,70,75,80,85,90,95,100	100
116 x L	Brass 2.0401	Nickel Plated	SW7	M4	5,6,8,10,12,15,18,20,25,30,35,40,45,50,55,60,65,70,75,80,85,90,95,100	100
118 x L	Brass 2.0401	Nickel Plated	SW8	M5	8,10,12,15,18,20,25,30,35,40,45,50,55,60,65,70,75,80,85,90,95,100	100
119 x L	Brass 2.0401	Nickel Plated	SW10	M6	10,12,15,18,20,25,30,35,40,45,50,55,60,65,70,75,80,85,90,95,100	100
1113 x L	Brass 2.0401	Nickel Plated	SW13	M8	15, 20,25,30,35,40,45,50,55,60,65,70,75,80,85,90,95,100	100

Minimum tensile strength	Length tolerance	Order example
430 N/mm ²	± 0.1 mm	111 x L = 111 x 10 mm

Hex Spacer - Female / Female Nickel Plated Brass 2.0401/DMS 100/G3E UNC Thread 110 110X

110X



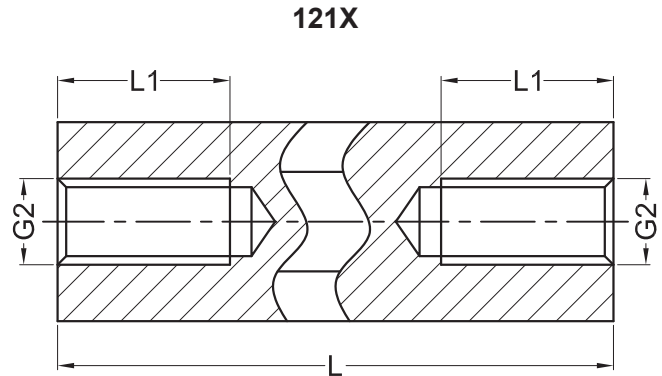
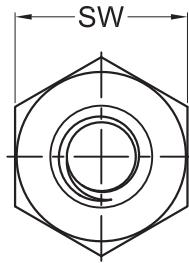
Sizes in mm

Article No.	Material	Surface	SW	G2	Standard "L" Length	Packing Unit
110 x L (Length)	Brass 2.0401	Nickel Plated	SW5	4-40 UNC	5, 6, 8, 10, 12, 15	100

Length tolerance	Order example	Additional Information
± 0.1 mm	110 x L = 110 x 10 mm	All UNC-Types are also available in steel; with other length; with UNC 6-32, UNC 8-32 and UNC 2-56 thread.

Hex Spacer - Female / Female

Steel 1.0718/DMS 200/A3F Surface Zinc Plated Opt. Blank Metric Thread 121
121X



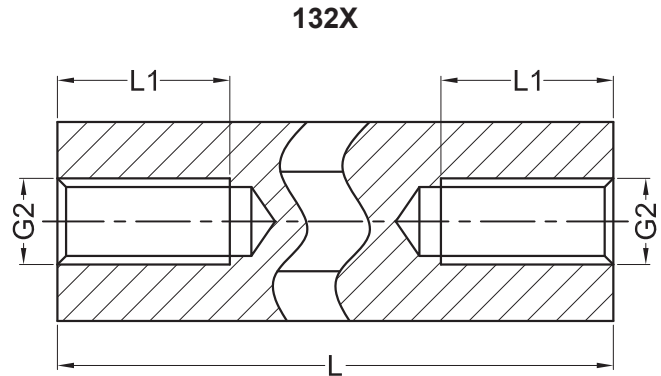
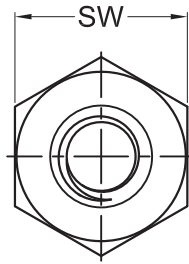
Sizes in mm

Internal Thread Lengths				
L	L1 (M2)	L1 (M2.5 to M5)	L1 (M6)	L1 (M8)
5	5	5	5	-
8	8	8	8	-
10	10	10	10	-
12	6	12	12	-
15	6	15	15	15
18	6	9	9	-
20	6	10	10	20
From 30	6	10	12	14

Article No.	Material	Surface	SW	G2	Standard "L" Length	Packing Unit
121 x L (Length)	Steel 1.0718	Zinc Plated	SW4	M2	5,8,10,12,15,18,20,25,30,35,40	100
1212 x L	Steel 1.0718	Zinc Plated	SW4	M2.5	5,8,10,12,15,18,20,25,30,35,40	100
122 x L	Steel 1.0718	Zinc Plated	SW5	M2.5	5,8,10,12,15,18,20,25,30,35,40,45,50	100
123 x L	Steel 1.0718	Zinc Plated	SW5	M3	5,8,10,12,15,18,20,25,30,35,40,45,50	100
124 x L	Steel 1.0718	Zinc Plated	SW5.5	M3	5,8,10,12,15,18,20,25,30,35,40,45,50,55,60,65,70	100
125 x L	Steel 1.0718	Zinc Plated	SW6	M3	5,8,10,12,15,18,20,25,30,35,40,45,50,55,60,65,70,75,80,85,90,95,100	100
126 x L	Steel 1.0718	Zinc Plated	SW7	M4	5,8,10,12,15,18,20,25,30,35,40,45,50,55,60,65,70,75,80,85,90,95,100	100
127 x L	Steel 1.0718	Zinc Plated	SW8	M4	5,8,10,12,15,18,20,25,30,35,40,45,50,55,60,65,70,75,80,85,90,95,100	100
128 x L	Steel 1.0718	Zinc Plated	SW8	M5	8,10,12,15,18,20,25,30,35,40,45,50,55,60,65,70,75,80,85,90,95,100	100
129 x L	Steel 1.0718	Zinc Plated	SW10	M6	10,12,15,18,20,25,30,35,40,45,50,55,60,65,70,75,80,85,90,95,100	100
1213 x L	Steel 1.0718	Zinc Plated	SW13	M8	15, 20,25,30,35,40,45,50,55,60,65,70,75,80,85,90,95,100	100

Minimum tensile strength	Length tolerance	Order example	Additional Information
500 N/mm ²	± 0.1 mm	121 x L = 121 x 10 mm	SW13 applies for DIN 2768-m

Hex Spacer - Female / Female Aluminium 3.1655/DMS 300 Metric Thread 132 132X



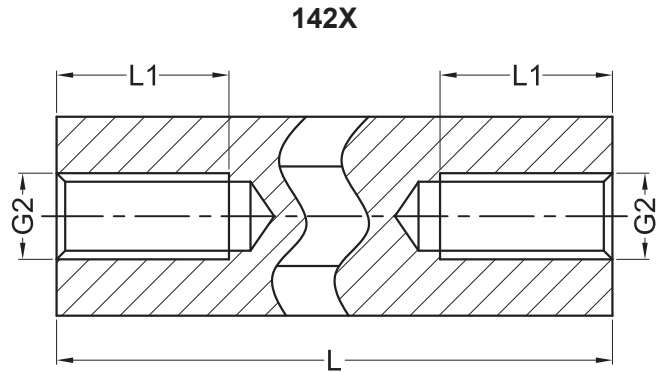
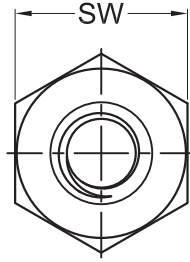
Sizes in mm

Internal Thread Lengths						
<u>L</u>	<u>L1 (M2.5)</u>	<u>L1 (M3)</u>	<u>L1 (M4)</u>	<u>L1 (M5)</u>	<u>L1 (M6)</u>	<u>L1 (M8)</u>
5	5	5	5	-	-	-
8	8	8	8	8	-	-
10	10	10	10	10	10	-
12	12	12	12	12	12	-
15	7	7	15	15	15	15
18	7	7	9	9	9	18
20	7	7	9	10	10	20
25	7	7	9	10	12	12
From 30	7	7	9	10	12	14

<u>Article No.</u>	<u>Material</u>	<u>SW</u>	<u>G2</u>	<u>Standard "L" Length</u>	<u>Packing Unit</u>
132 x L (Length)	Aluminium 3.1655	SW5	M2.5	5,8,10,12,15,18,20,25,30,35,40,45,50,55,60	100
134x L	Aluminium 3.1655	SW5.5	M3	5,8,10,12,15,18,20,25,30,35,40,45,50,55,60,65,70	100
135x L	Aluminium 3.1655	SW6	M3	5,8,10,12,15,18,20,25,30,35,40,45,50,55,60,65,70	100
136x L	Aluminium 3.1655	SW7	M4	5,8,10,12,15,18,20,25,30,35,40,45,50,55,60,65,70,75,80,85,90,95,100	100
138x L	Aluminium 3.1655	SW8	M5	8,10,12,15,18,20,25,30,35,40,45,50,55,60,65,70,75,80,85,90,95,100	100
139x L	Aluminium 3.1655	SW10	M6	10,12,15,18,20,25,30,35,40,45,50,55,60,65,70,75,80,85,90,95,100	100
1313 X L	Aluminium 3.1655	SW13	M8	15, 20,25,30,35,40,45,50, 60, 70, 80, 90, 100	100

<u>Minimum tensile strength</u>	<u>Length tolerance</u>	<u>Order example</u>	<u>Additional Information</u>
310 N/mm ²	± 0.1 mm	132 x L = 132 x 10 mm	SW13 applies for DIN 2768-m

Hex Spacer - Female / Female Stainless Steel 1.4305/DMS 400 Metric Thread 142 142X



Sizes in mm

Internal Thread Lengths						
L	L1 (M2.5)	L1 (M3)	L1 (M4)	L1 (M5)	L1 (M6)	L1 (M8)
5	5	5	5	-	-	-
8	8	8	8	8	-	-
10	10	10	10	10	10	-
12	12	12	12	12	12	-
15	7	7	15	15	15	15
18	7	7	9	9	9	18
20	7	7	9	10	10	20
25	7	7	9	10	12	12
From 30	7	7	9	10	12	14

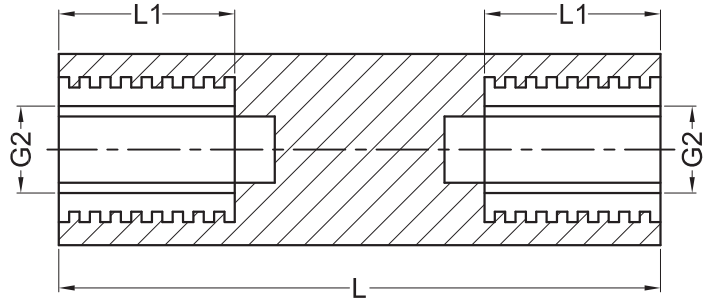
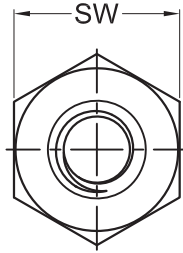
Article No.	Material	SW	G2	Standard "L" Length	Packing Unit
142 x L (Length)	Stainless Steel 1.4305	SW5	M2.5	5,8,10,12,15,18,20,25,30,35,40,45,50,55,60	100
144 x L	Stainless Steel 1.4305	SW5.5	M3	5,8,10,12,15,18,20,25,30,35,40,45,50,55,60,65,70	100
146 x L	Stainless Steel 1.4305	SW7	M4	5,8,10,12,15,18,20,25,30,35,40,45,50,55,60,65,70,75,80,85,90,95,100	100
148 x L	Stainless Steel 1.4305	SW8	M5	8,10,12,15,18,20,25,30,35,40,45,50,55,60,65,70,75,80,85,90,95,100	100
149 x L	Stainless Steel 1.4305	SW10	M6	10,12,15,18,20,25,30,35,40,45,50,55,60,65,70,75,80,85,90,95,100	100
1413 x L	Stainless Steel 1.4305	SW13	M8	15, 20,25,30,35,40,45,50, 60, 70, 80, 90, 100	100

Minimum tensile strength	Length tolerance	Order example	Additional Information
750 N/mm ²	± 0.1 mm	142 x L = 142 x 10 mm	SW13 applies for DIN 2768-m

Hex Spacer - Female / Female

Polyamide Brass Body: PA 6.6/DMS 818 Thread: Brass Blank DMS 101 118139
118139X

118139X



Sizes in mm

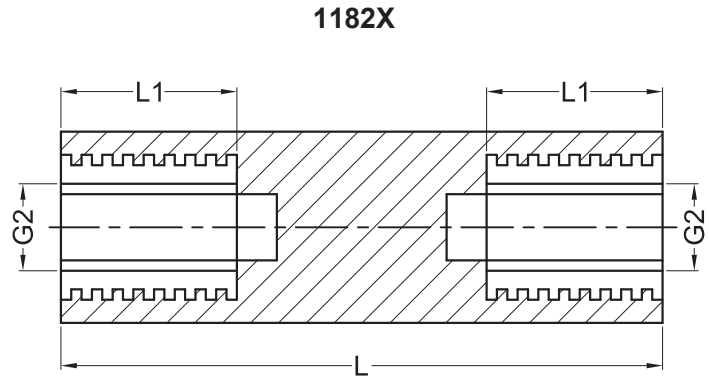
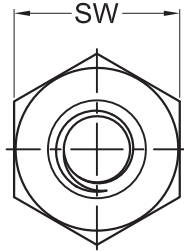
Article No.	Thread Material	Body Material	Color	SW	G2	L1	Standard "L" Length (Scale length)	Packing Unit
118139 x L ((Length)	Brass	Polyamid 6.6	Natural	SW13	M6	11	25-100	100
1181510 x L	Brass	Polyamid 6.6	Natural	SW15	M8	11	25-100	100

Volume resistance	Disruptive strength	Length tolerance
10 ¹² Ohm/cm	50 kV/mm	± 0.2 mm

Mechanical strength value			
SW	G2	Torque (Nm)	Pull-out torques (N)
SW13	M6	12	1000
SW15	M8	18	1600

Order example	Additional Information
118139 x L = 118139 x 25 mm	Torque and pull-out torques may vary in dependency of their intended purposes and environmental influences (e.g. temperature, humidity etc.) We recommend tests with materials in case of critical or unclear applications. Gecko International Co. assumes no liability for the mechanical strength values.

Hex Spacer - Female / Female Polyamide Brass Body: Polyamide 6.6/DMS 823 Thread: Brass Nickel Plated DMS 100 1182 1182X



Sizes in mm

Article No.	Thread Material	Surface	Body Material	Color	SW	G2	L1	Standard "L" Length (Scale length)	Packing Unit
1182 x L (Length)	Brass	Nickel Plated	Polyamid 6.6	White	SW6	M2.5	6	15-65	100
1183 x L	Brass	Nickel Plated	Polyamid 6.6	White	SW6	M3	6	15-65	100
1186 x L	Brass	Nickel Plated	Polyamid 6.6	White	SW8	M4	6	15-65	100
1188 x L	Brass	Nickel Plated	Polyamid 6.6	White	SW10	M5	6	15-70	100

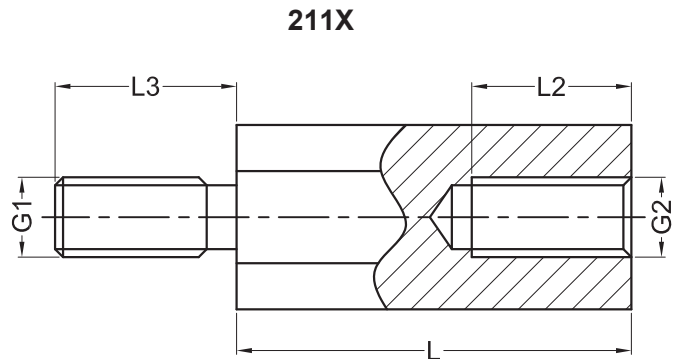
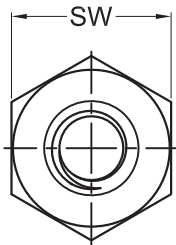
<u>Volume resistance</u>	<u>Disruptive strength</u>	<u>Length tolerance</u>
10 ¹² Ohm/cm	50 kV/mm	± 0.1 mm

<u>Mechanical strength value</u>			
<u>SW</u>	<u>G2</u>	<u>Torque (Nm)</u>	<u>Pull-out torques (N)</u>
SW6	M2.5	1.3	300
SW6	M3	1.3	300
SW8	M4	3.0	600
SW10	M5	4.5	800

<u>Order example</u>	<u>Additional Information</u>
1182 x L = 1182 x 15 mm	Torque and pull-out torques may vary in dependency of their intended purposes and environmental influences (e.g. temperature, humidity etc.) We recommend tests with materials in case of critical or unclear applications. Gecko International Co. assumes no liability for the mechanical strength values.

Hex Spacer - Male / Female Nickel Plated Brass 2.0401/DMS 100/G3E With Undercut (Opt. Without Undercut) Metric Thread 211

211X



Sizes in mm

Internal Thread Lengths				
L	L2 (M2)	L2 (M2.5 to M5)	L2 (M6)	L2 (M8)
5	3	3	-	-
6	4	4	-	-
8	5	5	-	-
10	6	6	6	-
12	6	7	7	-
15	6	10	10	10
18	6	10	10	-
From 20	6	10	12	14

External Thread Lengths	
G1=G2	L3
M2	5
M2.5	6
M3	6, 8
M4	8
M5	8
M6	10
M8	14

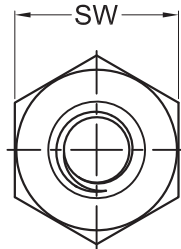
Article No.	Material	Surface	SW	G1=G2	Standard "L" Length	Packing Unit
211 x L (Length)	Brass 2.0401	Nickel Plated	SW4	M2	5,6,8,10,12,15,18,20,25,30,35,40,45,50	100
2112 x L	Brass 2.0401	Nickel Plated	SW4	M2.5	5,6,8,10,12,15,18,20,25,30,35,40,45,50	100
212 x L	Brass 2.0401	Nickel Plated	SW5	M2.5	5,6,8,10,12,15,18,20,25,30,35,40,45,50,55,60	100
213 x L	Brass 2.0401	Nickel Plated	SW5	M3	5,6,8,10,12,15,18,20,25,30,35,40,45,50,55,60	100
214 x L	Brass 2.0401	Nickel Plated	SW5.5	M3	5,6,8,10,12,15,18,20,25,30,35,40,45,50,55,60,65,70	100
215 x L	Brass 2.0401	Nickel Plated	SW6	M3	5,6,8,10,12,15,18,20,25,30,35,40,45,50,55,60,65,70,75,80,85,90,95,100	100
216 x L	Brass 2.0401	Nickel Plated	SW7	M4	5,6,8,10,12,15,18,20,25,30,35,40,45,50,55,60,65,70,75,80,85,90,95,100	100
218 x L	Brass 2.0401	Nickel Plated	SW8	M5	8,10,12,15,18,20,25,30,35,40,45,50,55,60,65,70,75,80,85,90,95,100	100
219 x L	Brass 2.0401	Nickel Plated	SW10	M6	10,12,15,18,20,25,30,35,40,45,50,55,60,65,70,75,80,85,90,95,100	100
2113 x L	Brass 2.0401	Nickel Plated	SW13	M8	15, 20,25,30,35,40,45,50,55,60,65,70,75,80,85,90,95,100	100

Minimum tensile strength	Length tolerance	Order example
430 N/mm ²	± 0.1 mm	With undercut: 211 x L = 211 x 10 mm Without undercut: 211 x L = 211 x 10 mm without undercut
Additional Information I		Additional Information II
Material: Brass blank (optional blank)		The option "without undercut" is without extra charge

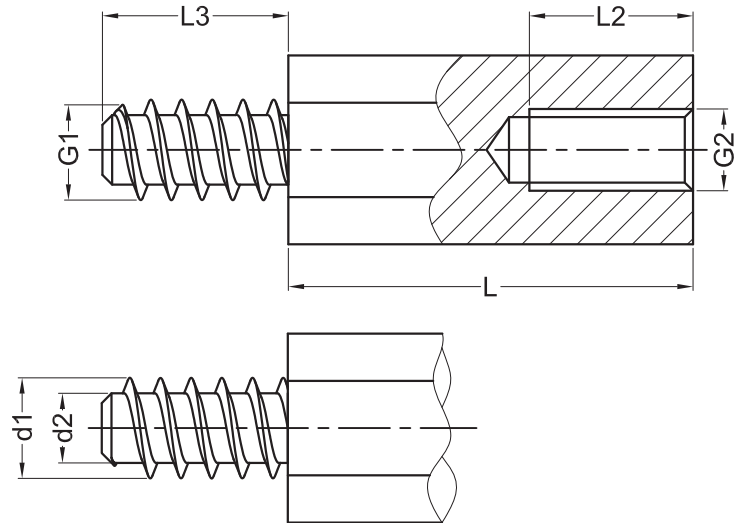


Hex Spacer - Male / Female Self-Tapping Thread Nickel Plated Brass 2.0401/DMS 100 With Undercut (Opt. Without Undercut) 212ST

212STX



212STX



Sizes in mm

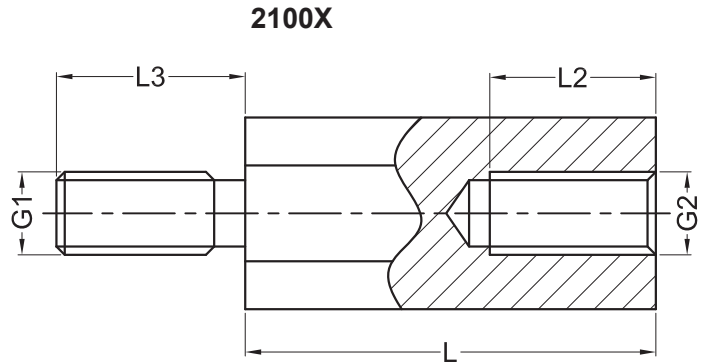
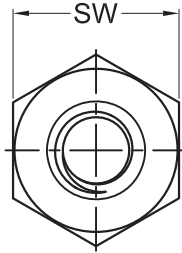
External Thread G1			
Thread Size G1	L3	d1	d2
ST2.2	5	2.1	1.6
ST2.9	6	2.8	2.1
ST3.3	6	3.2	2.3
ST3.5	7	3.4	2.6
ST4.2	8	4.1	3.0
ST4.8	8	4.7	3.5
ST6.3	10	6.1	4.8

Internal Thread G2	
L	L2
8	5
10	6
12	7
15	10
20	10

Article No.	Material	Surface	SW	G1	G2	Standard "L" Length In (mm)	Packing Unit
212ST2.2 x L (Length)	Brass 2.0401	Nickel Plated	SW5	ST2.2	M2.5	8, 10, 12, 15, 20	100
214ST2.9 x L	Brass 2.0401	Nickel Plated	SW5.5	ST2.9	M3	8, 10, 12, 15, 20	100
214ST3.3 x L	Brass 2.0401	Nickel Plated	SW5.5	ST3.3	M3	8, 10, 12, 15, 20	100
215ST3.5 x L	Brass 2.0401	Nickel Plated	SW6	ST3.5	M3	8, 10, 12, 15, 20	100
216ST4.2 x L	Brass 2.0401	Nickel Plated	SW7	ST4.2	M4	8, 10, 12, 15, 20	100
218ST4.8 x L	Brass 2.0401	Nickel Plated	SW8	ST4.8	M5	8, 10, 12, 15, 20	100
219ST6.3 x L	Brass 2.0401	Nickel Plated	SW10	ST6.3	M6	10, 12, 15, 20	100

Length tolerance	Order example	Additional Information
± 0.1 mm	With undercut: 212ST2.2 x L = 212ST2.2 x 10 mm Without undercut: 212ST2.2 x L = 212ST2.2 x 10 mm (without undercut)	The option "without undercut" is without extra charge.

Hex Spacer - Male / Female Nickel Plated Brass 2.0401/DMS 100 With Undercut (Opt. Without Undercut) UNC Thread 2100 2100X



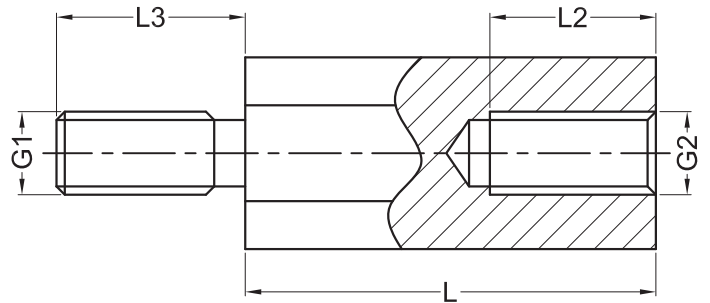
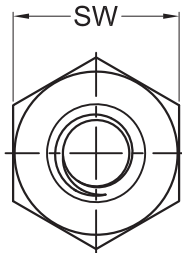
Sizes in mm

Thread Lengths		
<u>L</u>	<u>L2</u>	<u>L3</u>
5	3	4, 5, 6, 8, 10, 12
6	4	6, 8

Article No.	Material	Surface	SW	G1	G2	Standard "L" Length	Packing Unit
2100 x L (Length)	Brass 2.0401	Nickel Plated	SW5	4-40 UNC	4-40 UNC	5, 6	100
2103 x L	Brass 2.0401	Nickel Plated	SW5	M3	4-40 UNC	5, 6	100
2130 x L	Brass 2.0401	Nickel Plated	SW5	4-40 UNC	M3	5, 6	100

Length tolerance	Order example	Additional Information I	Additional Information II
± 0.1 mm	With undercut: 2100 x L = 2100 x 10 mm Without undercut: 2100 x L = 2100 x 10 mm without undercut	All UNC-Types are also available in steel; with other length; with UNC 6-32, UNC 8-32 and UNC 2-56 thread	The option "without undercut" is without extra charge

Hex Spacer - Male / Female Zinc Plated Steel 1.0718/DMS 200/A3F With Undercut (Opt. Without Undercut) Metric Thread 221 221X



221X

Sizes in mm

Internal Thread Lengths				
L	L2 (M2)	L2 (M2.5 to M5)	L2 (M6)	L2 (M8)
5	3	3	-	-
8	5	5	-	-
10	6	6	6	-
12	6	7	7	-
15	6	10	10	10
18	6	10	10	-
From 20	6	10	12	14

External Thread Lengths	
G1=G2	L3
M2	5
M2.5	6
M3	6
M4	8
M5	8
M6	10
M8	14

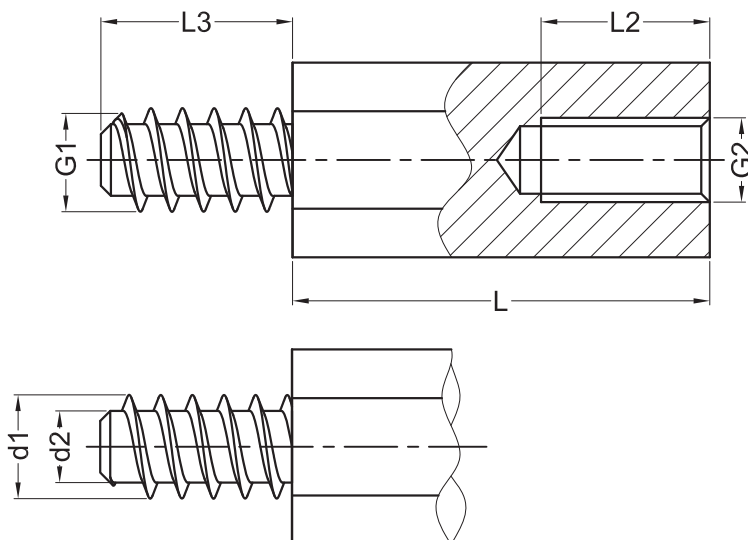
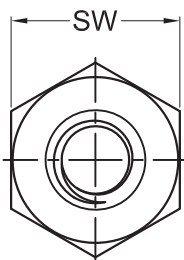
Article No.	Material	Surface	SW	G1=G2	Standard "L" Length	Packing Unit
221 x L (Length)	Steel 1.0718	Zinc Plated	SW4	M2	5,8,10,12,15,18,20,25,30,35,40	100
2212 x L	Steel 1.0718	Zinc Plated	SW4	M2.5	5,8,10,12,15,18,20,25,30,35,40	100
222 x L	Steel 1.0718	Zinc Plated	SW5	M2.5	5,8,10,12,15,18,20,25,30,35,40,45,50	100
223 x L	Steel 1.0718	Zinc Plated	SW5	M3	5,8,10,12,15,18,20,25,30,35,40,45,50	100
224 x L	Steel 1.0718	Zinc Plated	SW5.5	M3	5,8,10,12,15,18,20,25,30,35,40,45,50,55,60,65,70	100
225 x L	Steel 1.0718	Zinc Plated	SW6	M3	5,8,10,12,15,18,20,25,30,35,40,45,50,55,60,65,70,75,80,85,90,95,100	100
226 x L	Steel 1.0718	Zinc Plated	SW7	M4	5,8,10,12,15,18,20,25,30,35,40,45,50,55,60,65,70,75,80,85,90,95,100	100
227 x L	Steel 1.0718	Zinc Plated	SW8	M4	5,8,10,12,15,18,20,25,30,35,40,45,50,55,60,65,70,75,80,85,90,95,100	100
228 x L	Steel 1.0718	Zinc Plated	SW8	M5	8,10,12,15,18,20,25,30,35,40,45,50,55,60,65,70,75,80,85,90,95,100	100
229 x L	Steel 1.0718	Zinc Plated	SW10	M6	10,12,15,18,20,25,30,35,40,45,50,55,60,65,70,75,80,85,90,95,100	100
2213 x L	Steel 1.0718	Zinc Plated	SW13	M8	15, 20,25,30,35,40,45,50,55,60,65,70,75,80,85,90,95,100	100

Minimum tensile strength	Length tolerance	Order example
500 N/mm ²	± 0.1 mm	With undercut: 221 x L = 221 x 10 mm Without undercut: 221 x L = 221 x 10 mm without undercut
Additional Information I		Additional Information II
The option "without undercut" is without extra charge		SW13 applies for DIN 2768-m

Hex Spacer - Male / Female Self-Tapping Thread Zinc Plated Steel 1.0718/DMS 200/A3F With Undercut (Opt. Without Undercut) 222ST

222STX

222STX



Sizes in mm

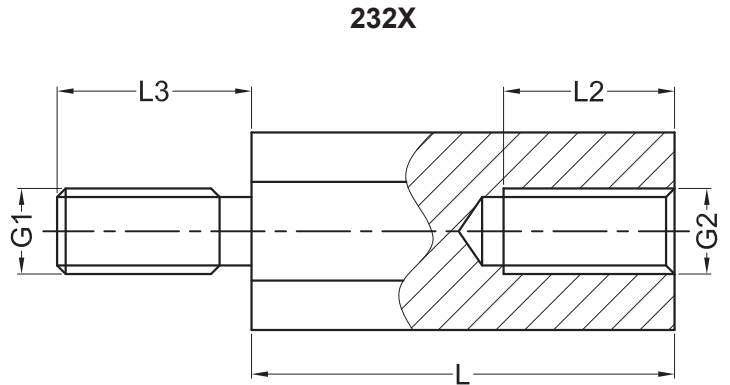
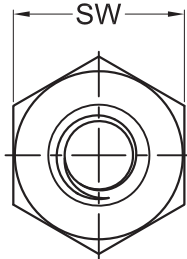
External Thread G1			
Thread Size	L3	d1	d2
ST2.2	5	2.1	1.6
ST2.9	6	2.8	2.1
ST3.3	6	3.2	2.3
ST3.5	7	3.4	2.6
ST4.2	8	4.1	3.0
ST4.8	8	4.7	3.5
ST6.3	10	6.1	4.8

Internal Thread G2	
L	L2
8	5
10	6
12	7
15	10
20	10

Article No.	Material	Surface	SW	G1	G2	Standard "L" Length In (mm)	Packing Unit
222ST2.2 x L (Length)	Steel 1.0718	Zinc Plated	SW5	ST2.2	M2.5	8, 10, 12, 15, 20	100
224ST2.9 x L	Steel 1.0718	Zinc Plated	SW5.5	ST2.9	M3	8, 10, 12, 15, 20	100
224ST3.3 x L	Steel 1.0718	Zinc Plated	SW5.5	ST3.3	M3	8, 10, 12, 15, 20	100
225ST3.5 x L	Steel 1.0718	Zinc Plated	SW6	ST3.5	M3	8, 10, 12, 15, 20	100
226ST4.2 x L	Steel 1.0718	Zinc Plated	SW7	ST4.2	M4	8, 10, 12, 15, 20	100
228ST4.8 x L	Steel 1.0718	Zinc Plated	SW8	ST4.8	M5	8, 10, 12, 15, 20	100
229ST6.3 x L	Steel 1.0718	Zinc Plated	SW10	ST6.3	M6	10, 12, 15, 20	100

Length tolerance	Order example	Additional Information
± 0.1 mm	With undercut: 222ST2.2 x L = 222ST2.2 x 10 mm Without undercut: 222ST2.2 x L = 222ST2.2 x 10 mm without undercut	The option "without undercut" is without extra charge.

Hex Spacer - Male / Female Aluminium 3.1655/DMS 300 With Undercut (Opt. Without Undercut) Metric Thread 232 232X



Sizes in mm

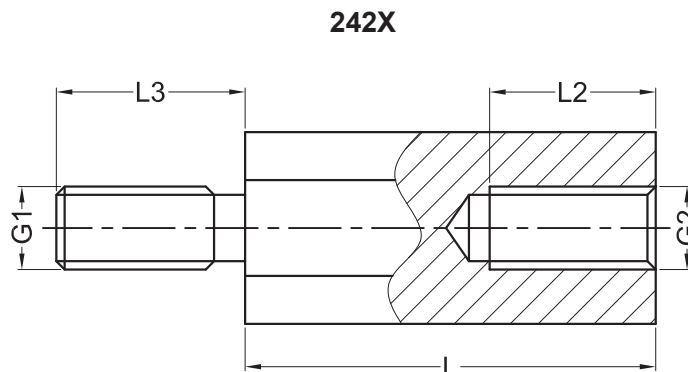
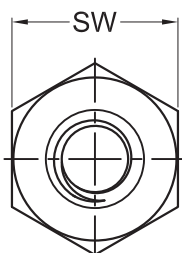
Internal Thread Lengths						
L	L2 (M2.5)	L2 (M3)	L2 (M4)	L2 (M5)	L2 (M6)	L2 (M8)
5	2.5	2.5	-	-	-	-
8	5	5	5	-	-	-
10	6	6	6	6	5	-
12	7	7	8	8	7	-
15	7	7	9	10	10	10
18	7	7	9	10	12	12
From 20	7	7	9	10	12	14

External Thread Lengths	
G1=G2	L3
M2.5	6
M3	6
M4	8
M5	8
M6	10
M8	14

Article No.	Material	SW	G1=G2	Standard "L" Length	Packing Unit
232 x L (Length)	Aluminium 3.1655	SW5	M2.5	5,8,10,12,15,18,20,25,30,35,40,45,50,55,60	100
234 x L	Aluminium 3.1655	SW5.5	M3	5,8,10,12,15,18,20,25,30,35,40,45,50,55,60	100
235 x L	Aluminium 3.1655	SW6	M3	5,8,10,12,15,18,20,25,30,35,40,45,50,55,60,65,70	100
236 x L	Aluminium 3.1655	SW7	M4	5,8,10,12,15,18,20,25,30,35,40,45,50,55,60,65,70,75,80,85,90,95,100	100
238 x L	Aluminium 3.1655	SW8	M5	8,10,12,15,18,20,25,30,35,40,45,50,55,60,65,70,75,80,85,90,95,100	100
239 x L	Aluminium 3.1655	SW10	M6	10,12,15,18,20,25,30,35,40,45,50,55,60,65,70,75,80,85,90,95,100	100
2313 x L	Aluminium 3.1655	SW13	M8	15, 20,25,30,35,40,45,50, 60, 70, 80, 90, 100	100

Minimum tensile strength	Length tolerance	Order example
310 N/mm ²	± 0.1 mm	With undercut: 232 x L = 232 x 10 mm Without undercut: 232 x L = 232 x 10 mm without undercut
Additional Information I		Additional Information II
The option "without undercut" is without extra charge		SW13 applies for DIN 2768-m

Hex Spacer - Male / Female Stainless Steel 1.4305/DMS 400 With Undercut (Optional Without Undercut) Metric Thread 242 242X



Sizes in mm

Internal Thread Lengths						
<u>L</u>	<u>L2 (M2.5)</u>	<u>L2 (M3)</u>	<u>L2 (M4)</u>	<u>L2 (M5)</u>	<u>L2 (M6)</u>	<u>L2 (M8)</u>
5	2.5	2.5	-	-	-	-
8	5	5	5	-	-	-
10	6	6	6	6	5	-
12	7	7	8	8	7	-
15	7	7	9	10	10	10
18	7	7	9	10	12	12
From 20	7	7	9	10	12	14

External Thread Lengths	
<u>G1=G2</u>	<u>L3</u>
M2.5	6
M3	6
M4	8
M5	8
M6	10
M8	14

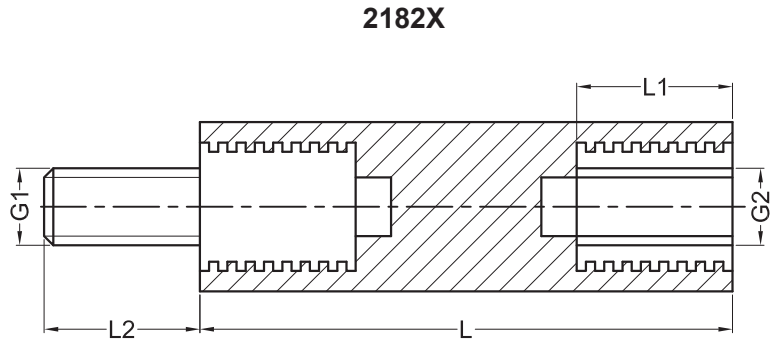
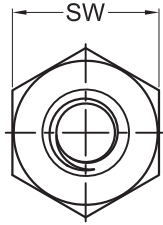
<u>Article No.</u>	<u>Material</u>	<u>SW</u>	<u>G1=G2</u>	<u>Standard "L" Length</u>	<u>Packing Unit</u>
242 x L (Length)	Stainless Steel 1.4305	SW5	M2.5	5,8,10,12,15,18,20,25,30,35,40,45,50,55,60	100
244 x L	Stainless Steel 1.4305	SW5.5	M3	5,8,10,12,15,18,20,25,30,35,40,45,50,55,60,65,70	100
246 x L	Stainless Steel 1.4305	SW7	M4	8,10,12,15,18,20,25,30,35,40,45,50,55,60,65,70,75,80,85,90,95,100	100
248 x L	Stainless Steel 1.4305	SW8	M5	10,12,15,18,20,25,30,35,40,45,50,55,60,65,70,75,80,85,90,95,100	100
249 x L	Stainless Steel 1.4305	SW10	M6	10,12,15,18,20,25,30,35,40,45,50,55,60,65,70,75,80,85,90,95,100	100
2413 x L	Stainless Steel 1.4305	SW13	M8	15, 20,25,30,35,40,45,50, 60, 70, 80, 90, 100	100

<u>Minimum tensile strength</u>	<u>Length tolerance</u>	<u>Order example</u>
750 N/mm ²	± 0.1 mm	With undercut: 242 x L = 242 x 10 mm Without undercut: 242 x L = 242 x 10 mm without undercut
<u>Additional Information I</u>		<u>Additional Information II</u>
The option "without undercut" is without extra charge		SW13 applies for DIN 2768-m

Hex Spacer - Male / Female

PA Brass Body: PA DMS 823 Thread: Brass Nickel Plated DMS 100
Without Undercut 2182

2182X



Sizes in mm

Article No.	Thread Material	Surface	Body Material	Color	SW	G1=G2	L1	L2	Standard "L" Length (Scale length)	Packing Unit
2182 x L (Length)	Brass	Nickel Plated	Polyamid 6.6	White	SW6	M2.5	6	6	15-65	100
2183 x L	Brass	Nickel Plated	Polyamid 6.6	White	SW6	M3	6	8	15-65	100
2186 x L	Brass	Nickel Plated	Polyamid 6.6	White	SW8	M4	6	8	15-65	100
2188 x L	Brass	Nickel Plated	Polyamid 6.6	White	SW10	M5	6	10	15-70	100

Volume resistance	Disruptive strength	Length tolerance
10 ¹² Ohm/cm	50 kV/mm	± 0.1 mm

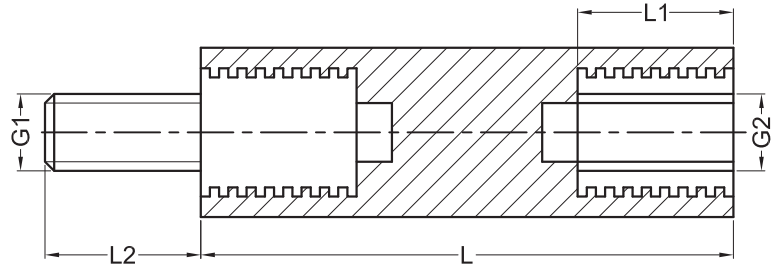
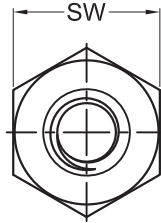
Mechanical strength value			
SW	G1=G2	Torque (Nm)	Pull-out torques (N)
SW6	M2.5	1.3	300
SW6	M3	1.3	300
SW8	M4	3.0	600
SW10	M5	4.5	800

Order example	Additional Information
2182 x L = 2182 x 15 mm	Torque and pull-out torques may vary in dependency of their intended purposes and environmental influences (e.g. temperature, humidity etc.) We recommend tests with materials in case of critical or unclear applications. Gecko International Co. assumes no liability for themechanical strength values

Hex Spacer - Male / Female Polyamide Brass Body: PA DMS 818 Thread: Brass Blank Without Undercut 218139

218139X

218139X



Sizes in mm

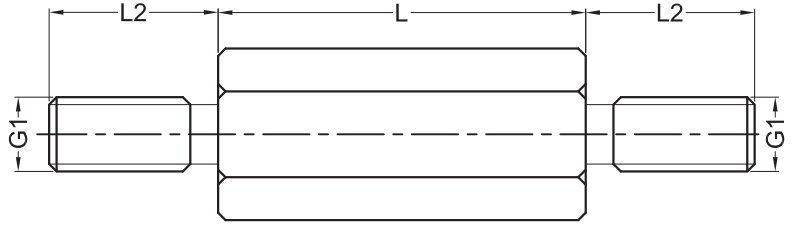
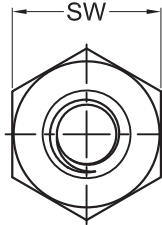
Article No.	Thread Material	Body Material	Color	SW	G1=G2	L1	L2	Standard "L" Length (Scale length)	Packing Unit
218139 x L (Length)	Brass	Polyamid 6.6	Natural	SW13	M6	11	12	25-100	100
2181510 x L	Brass	Polyamid 6.6	Natural	SW15	M8	11	14	25-100	100

Volume resistance	Disruptive strength	Length tolerance
10 ¹² Ohm/cm	50 kV/mm	± 0.2 mm

Mechanical strength value			
SW	G1=G2	Torque (Nm)	Pull-out torques (N)
SW13	M6	12	1000
SW15	M8	18	1600

Order example	Additional Information
218139 x L = 218139 x 25 mm	Torque and pull-out torques may vary in dependency of their intended purposes and environmental influences (e.g. temperature, humidity etc.) We recommend tests with materials in case of critical or unclear applications. Gecko International Co. assumes no liability for themechanical strength values

Hex Spacer - Male / Male Nickel Plated Brass 2.0401/DMS 100/G3E With Undercut (Optional Without Undercut) Metric Thread 411 411X



411X

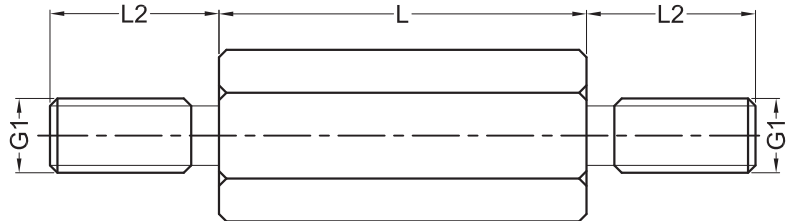
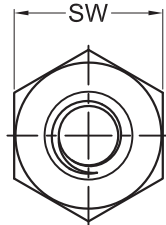
Sizes in mm

External Thread Lengths	
G1	L2
M2	5
M2.5	6
M3	6, 8
M4	8
M5	8
M6	10
M8	14

Article No.	Material	Surface	SW	G1	Standard "L" Length	Packing Unit
411 x L (Length)	Brass 2.0401	Nickel Plated	SW4	M2	5,6,8,10,12,15,18,20,25,30,35,40,45,50	100
4112 x L	Brass 2.0401	Nickel Plated	SW4	M2.5	5,6,8,10,12,15,18,20,25,30,35,40,45,50	100
412 x L	Brass 2.0401	Nickel Plated	SW5	M2.5	5,6,8,10,12,15,18,20,25,30,35,40,45,50,55,60	100
413 x L	Brass 2.0401	Nickel Plated	SW5	M3	5,6,8,10,12,15,18,20,25,30,35,40,45,50,55,60	100
414 x L	Brass 2.0401	Nickel Plated	SW5.5	M3	5,6,8,10,12,15,18,20,25,30,35,40,45,50,55,60,65,70	100
415 x L	Brass 2.0401	Nickel Plated	SW6	M3	5,6,8,10,12,15,18,20,25,30,35,40,45,50,55,60,65,70	100
416 x L	Brass 2.0401	Nickel Plated	SW7	M4	5,6,8,10,12,15,18,20,25,30,35,40,45,50,55,60,65,70,75,80,85,90,95,100	100
418 x L	Brass 2.0401	Nickel Plated	SW8	M5	8,10,12,15,18,20,25,30,35,40,45,50,55,60,65,70,75,80,85,90,95,100	100
419 x L	Brass 2.0401	Nickel Plated	SW10	M6	10,12,15,18,20,25,30,35,40,45,50,55,60,65,70,75,80,85,90,95,100	100
4113 x L	Brass 2.0401	Nickel Plated	SW13	M8	15, 20,25,30,35,40,45,50,55,60,65,70,75,80,85,90,95,100	100

Minimum tensile strength	Length tolerance	Order example
430 N/mm ²	± 0.1 mm	With undercut: 411 x L = 411 x 10 mm Without undercut: 411 x L = 411 x 10 mm without undercut
Additional Information I		Additional Information II
Material: Brass blank (optional blank)		The option "without undercut" is without extra charge

Hex Spacer - Male / Male Zinc Plated Steel 1.0718/DMS 200/A3F With Undercut (Optional Without Undercut) Metric Thread 421 421X



421X

Sizes in mm

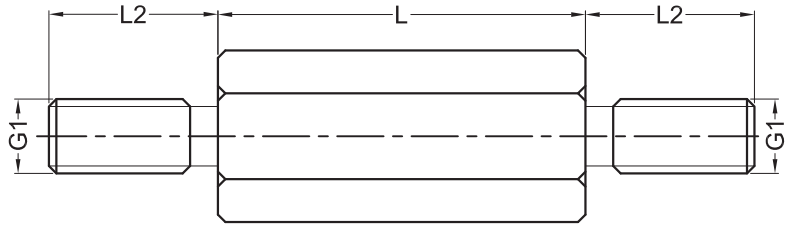
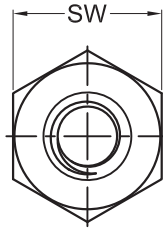
External Thread Lengths	
G1	L2
M2	5
M2.5	6
M3	6
M4	8
M5	8
M6	10
M8	14

Article No.	Material	Surface	SW	G1	Standard "L" Length	Packing Unit
421 x L (Length)	Steel 1.0718	Zinc Plated	SW4	M2	5,8,10,12,15,18,20,25,30,35,40	100
4212 x L	Steel 1.0718	Zinc Plated	SW4	M2.5	5,8,10,12,15,18,20,25,30,35,40	100
422 x L	Steel 1.0718	Zinc Plated	SW5	M2.5	5,8,10,12,15,18,20,25,30,35,40,45,50	100
423 x L	Steel 1.0718	Zinc Plated	SW5	M3	5,8,10,12,15,18,20,25,30,35,40,45,50	100
424 x L	Steel 1.0718	Zinc Plated	SW5.5	M3	5,8,10,12,15,18,20,25,30,35,40,45,50,55,60,65,70	100
425 x L	Steel 1.0718	Zinc Plated	SW6	M3	5,8,10,12,15,18,20,25,30,35,40,45,50,55,60,65,70,75,80,85,90,95,100	100
426 x L	Steel 1.0718	Zinc Plated	SW7	M4	5,8,10,12,15,18,20,25,30,35,40,45,50,55,60,65,70,75,80,85,90,95,100	100
427 x L	Steel 1.0718	Zinc Plated	SW8	M4	5,8,10,12,15,18,20,25,30,35,40,45,50,55,60,65,70,75,80,85,90,95,100	100
428 x L	Steel 1.0718	Zinc Plated	SW8	M5	8,10,12,15,18,20,25,30,35,40,45,50,55,60,65,70,75,80,85,90,95,100	100
429 x L	Steel 1.0718	Zinc Plated	SW10	M6	10,12,15,18,20,25,30,35,40,45,50,55,60,65,70,75,80,85,90,95,100	100
4213 x L	Steel 1.0718	Zinc Plated	SW13	M8	15, 20,25,30,35,40,45,50,55,60,65,70,75,80,85,90,95,100	100

Minimum tensile strength	Length tolerance	Order example
500 N/mm ²	± 0.1 mm	With undercut: 421 x L = 421 x 10 mm Without undercut: 421 x L = 421 x 10 mm without undercut
Additional Information I		Additional Information II
Material: Brass blank (optional blank)		SW 13 applies for DIN 2768-m

K

Hex Spacer - Male / Male Aluminium 3.1655/DMS 300 With Undercut (Optional Without Undercut) Metric Thread 432 432X



432X

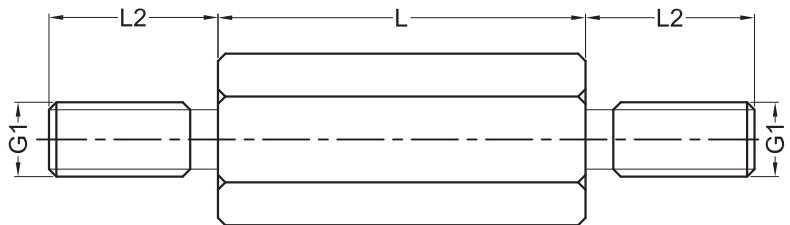
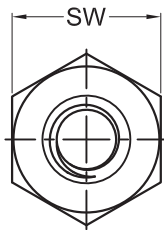
Sizes in mm

External Thread Lengths	
G1	L2
M2.5	6
M3	6
M4	8
M5	8
M6	10
M8	14

Article No.	Material	SW	G1	Standard "L" Length	Packing Unit
432 x L (Length)	Aluminium 3.1655	SW5	M2.5	5,8,10,12,15,18,20,25,30,35,40,45,50	100
434 x L	Aluminium 3.1655	SW5.5	M3	5,8,10,12,15,18,20,25,30,35,40,45,50,55,60,65,70	100
435 x L	Aluminium 3.1655	SW6	M3	5,8,10,12,15,18,20,25,30,35,40,45,50,55,60,65,70	100
436 x L	Aluminium 3.1655	SW7	M4	5,8,10,12,15,18,20,25,30,35,40,45,50,55,60,65,70,75,80,85,90,95,100	100
438 x L	Aluminium 3.1655	SW8	M5	8,10,12,15,18,20,25,30,35,40,45,50,55,60,65,70,75,80,85,90,95,100	100
439 x L	Aluminium 3.1655	SW10	M6	10,12,15,18,20,25,30,35,40,45,50,55,60,65,70,75,80,85,90,95,100	100
4313 x L	Aluminium 3.1655	SW13	M8	15, 20,25,30,35,40,45,50, 60, 70, 80, 90, 100	100

Minimum tensile strength	Length tolerance	Order example
310 N/mm ²	± 0.1 mm	With undercut: 432 x L = 432 x 10 mm Without undercut: 432 x L = 432 x 10 mm without undercut
Additional Information I		Additional Information II
The option "without undercut" is without extra charge		SW13 applies for DIN 2768-m

Hex Spacer - Male / Male Stainless Steel 1.4305/DMS 400 With Undercut (Optional Without Undercut) Metric Thread 442 442X



442X

Sizes in mm

External Thread Lengths	
G1	L2
M2.5	6
M3	6
M4	8
M5	8
M6	10
M8	14

Article No.	Material	SW	G1	Standard "L" Length	Packing Unit
442 x L (Length)	Stainless Steel 1.4305	SW5	M2.5	5,8,10,12,15,18,20,25,30,35,40,45,50	100
444 x L	Stainless Steel 1.4305	SW5.5	M3	5,8,10,12,15,18,20,25,30,35,40,45,50,55,60,65,70	100
446 x L	Stainless Steel 1.4305	SW7	M4	8,10,12,15,18,20,25,30,35,40,45,50,55,60,65,70,75,80,85,90,95,100	100
448 x L	Stainless Steel 1.4305	SW8	M5	10,12,15,18,20,25,30,35,40,45,50,55,60,65,70,75,80,85,90,95,100	100
449 x L	Stainless Steel 1.4305	SW10	M6	10,12,15,18,20,25,30,35,40,45,50,55,60,65,70,75,80,85,90,95,100	100
4413 x L	Stainless Steel 1.4305	SW13	M8	15, 20,25,30,35,40,45,50, 60, 70, 80, 90, 100	100

Minimum tensile strength	Length tolerance	Order example
750 N/mm ²	± 0.1 mm	With undercut: 442 x L = 442 x 10 mm Without undercut: 442 x L = 442 x 10 mm without undercut
Additional Information I		Additional Information II
The option "without undercut" is without extra charge		SW13 applies for DIN 2768-m

K

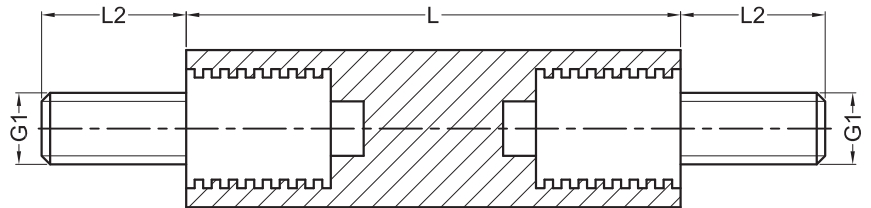
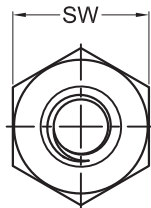
Hex Spacer - Male / Male

Polyamide Brass Body: Polyamide 6.6/DMS 823

Thread: Nickel Plated Brass/DMS 100 Without Undercut 4182

4182X

4182X



Sizes in mm

Article No.	Thread Material	Surface	Body Material	Color	SW	G1	L2	Standard "L" Length (Scale length)	Packing Unit
4182 x L (Length)	Brass	Nickel Plated	Polyamid 6.6	White	SW6	M2.5	6	15-65	100
4183 x L	Brass	Nickel Plated	Polyamid 6.6	White	SW6	M3	6	15-65	100
4186 x L	Brass	Nickel Plated	Polyamid 6.6	White	SW8	M4	8	15-65	100
4188 x L	Brass	Nickel Plated	Polyamid 6.6	White	SW10	M5	10	15-70	100

Volume resistance	Disruptive strength	Length tolerance
10 ¹² Ohm/cm	50 kV/mm	± 0.1 mm

Mechanical strength value			
SW	G2 Thread	Torque (Nm)	Pull-out torques (N)
SW6	M2.5	1.3	300
SW6	M3	1.3	300
SW8	M4	3.0	600
SW10	M5	4.5	800

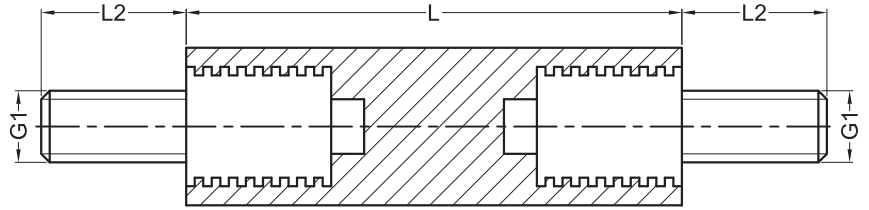
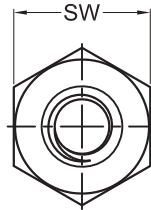
Order example	Additional Information
4182 x L = 4182 x 15 mm	Torque and pull-out torques may vary in dependency of their intended purposes and environmental influences (e.g. temperature, humidity etc.) We recommend tests with materials in case of critical or unclear applications. Gecko International Co. assumes no liability for the mechanical strength values

Hex Spacer - Male / Male

Polyamide Brass Body: Polyamide 6.6/DMS 818 Thread: Brass Blank/DMS 101
Without Undercut 418139

418139X

418139X



Sizes in mm

Article No.	Thread Material	Body Material	Color	SW	G1	L2	Standard "L" Length (Scale length)	Packing Unit
418139 x L (Length)	Brass	Polyamid 6.6	Natural	SW13	M6	12	25-100	100
4181510 x L	Brass	Polyamid 6.6	Natural	SW15	M8	14	25-100	100

Volume resistance	Disruptive strength	Length tolerance
10 ¹² Ohm/cm	50 kV/mm	± 0.2 mm

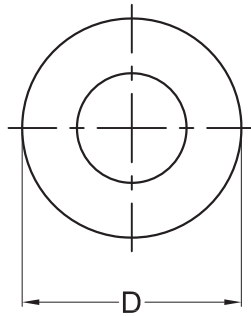
Mechanical strength value			
SW	G1	Torque (Nm)	Pull-out torques (N)
SW13	M6	12	1000
SW15	M8	18	1600

Order example	Additional Information
418139 x L = 418139 x 25 mm	Torque and pull-out torques may vary in dependency of their intendend purposes and environmental influences (e.g. temperature, humidity etc.) We recommend tests with materials in case of critical or unclear applications. Gecko International Co. assumes no liability for themechanical strength values

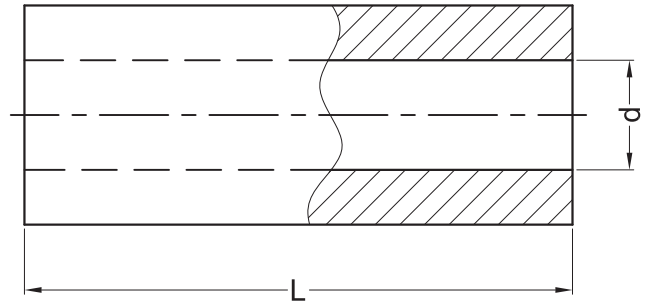
Round Spacer

**Brass Nickel Plated DMS 100, Brass Blank DMS 101,
Steel Zinc Plated DMS 200, Steel Blank DMS 201, Aluminium DMS 300,
Stainless Steel DMS 400**

324X



324X



Sizes in mm

Article No.	Material				Color	Standard "L" Length	d	D	Packing Unit
	1	2	3	4					
^{3X} see order example	Brass	Steel	Aluminium	Niro	According to material	1-50	1-12.5	4-16	100

Type	Material I
Round	Brass (Nickel Plated) / DMS 100
	Brass (Blank) / DMS 101
	Steel (Zinc Plated) / DMS 200
	Steel (Blank) / DMS 201
	Aluminium / DMS 300
	Stainless Steel / DMS 400

Length tolerance	Additional Information *	Additional Information **	Additional Information ***
± 0.1 mm	All diameter "D" between 4-16 mm possible (Only whole numbers; Exception: 4.5 mm)	All diameter "d" between 1-12.5 mm possible	All length "L" between 1-50 mm possible

Order example				
324/2.1 x 10				
Order No.	Material	Outside "D" Diameter*	Outside "d" Diameter*	length "L"
3	Steel = 2	4	2.1	10

Tool Design & Construction



Design - Developing - Manufacturing

Machine Tools - Automation Systems

Industrial Equipment - Market Equipment



Learn more on www.sucatec.com/contact

UL File Number & UL Yellow Cards

Underwriter's Laboratories Inc. (UL®), plastics classification number is used to describe the performance of the material. Tests conducted by UL® may include the determination of material flammability (burning characteristics), ignition characteristics from various thermal and electrical sources, electrical tracking and other electrical characteristics, physical and mechanical characteristics, and analytical tests. In addition, the effect of long-term exposure to elevated temperature (air-oven aging), water, ultraviolet light, cold, etc. on property-retention may be evaluated.

For more information, please visit www.ul.com and click on "Services"

UL® Flame Rating

UL94 classifications V0, V1, V2, and HB describe the flame retardancy levels for a given resin. V0 rated resins typically have the highest flame resistance followed by V1, V2, and HB.

For more information on UL® Flame Ratings and the Vertical Burn Test, please visit www.ul.com.

Material Operating Temperatures

The Material Temperature Ranges shown in the GMS Table are based on datasheets from the respective resin manufacturers and/ or UL® RTI values. The values shown are for reference only to assist in material selection for your application. As each resin manufacturer uses different methods to evaluate the performance of their resins, the temperature ranges shown cannot necessarily be used to compare materials directly.

Adhesive Tape Usage Guidelines

Loads & Product Usage Guidelines

Long-term maximum product application loads generally should not exceed 0.25 psi. The surface area of contact is very critical for bond strength, so the amount of tape used should be maximized based on the application. In general, the tensile strength of the adhesive is higher than the peel or shear strength, so the product should be designed to be loaded in tension whenever possible.

Nylon & Adhesive Shelf Life

If products are kept under the Ideal Storage Conditions above, shelf life is 1 year from date of shipment.

Temperature Considerations

Ideal application temperature for most Gecko adhesives is 70° - 100°F (21° - 38°C). Lower application temperatures should be avoided as the adhesive will be too firm and may not 'wet out' sufficiently. Operating temperatures of Gecko adhesives are shown in the GMS table.

Application Guide

Surface Condition

The bonding surfaces must be clean, uniform, dry and free of condensation. Do not use on fabric, coarse concrete, loose paint, or rough, loose surfaces.

Surface Preparation

For maximum performance, clean the mounting surfaces with a cleaning solvent such as a 50/50 mixture of isopropyl alcohol and water. Be sure to follow the solvent manufacturer's directions for use. Some surfaces may require a sealant or primer to achieve the desired bonding. Test the product on your actual application.

Application pressure

Remove the release liner being very careful not to touch the adhesive surface and then quickly and firmly rub the product into place. Firm pressure is needed to ensure full contact and to allow the adhesive to fully wet-out on the mating surfaces.

Dwell Time

The bond strength is affected by the substrate surface, application temperature and dwell time. At room temperature approximately half of the bond strength will be obtained within the first half hour with the majority of the strength achieved within 24 hours. Therefore, whenever possible wait 24 hours before applying load.

Acrylic vs. rubber based adhesives

In general, rubber based adhesives offer higher initial tack whereas acrylic based adhesives maintain higher mechanical strength over time. One should evaluate the performance of the product on the actual end use application. Please contact Gecko International Co. for additional physical property and chemical resistance data.

Common Material Abbreviations

ABS	=	Acrylonitrile-butadiene-styrene	PEI	=	Polyether imide
POM	=	PMMA Polymethyl methacrylate	PP	=	Polypropylene
CPVC	=	Chlorinated polyvinyl chloride	PPE/PS	=	Polyphenylene ether/polystyrene alloy
EPDM	=	Ethylene-propylene-diene-monomer	PPE/SB	=	Polyphenylene Ether/Styrenebutadiene alloy
HDPE	=	High density polyethylene	PPS	=	Polyphenylene sulfide
HIPS	=	High impact polystyrene	PS	=	Polystyrene
LCP	=	Liquid Crystal Polymer	PSU	=	Polysulfone
LDPE	=	Low density polyethylene	PU	=	Polyurethane
Nitrile Rubber	=	Acrylonitrile rubber	PVC	=	Polyvinyl chloride
Nylon	=	Polyamide (PA)	PVDF	=	Polyvinylidene fluoride
PBT	=	Polybutylene terephthalate	SEBS	=	Styrene-ethylene butylene-styrene block copolymer
PC	=	Polycarbonate	SIR	=	Silicone molding compound
PE	=	Polyethylene	TPE	=	Thermoplastic elastomer
PEEK	=	Polyetheretherketone	TPV	=	Thermoplastic vulcanizate
PET	=	Polyethylene terephthalate	TPU	=	Thermoplastic polyurethanes

RAW MATERIAL SPECIFICATION (GMS)

GMS No.	Material Description	UL File No.	UL Flame Rating	RoHS Compliance	Material Temperature Range °C		
01	PA66	E41938	V2	Yes	-40	-	85
02	PA66 Flame Retardant	E36632	V0	Yes	-30	-	85
03	PVDF	E54699	V0	Yes	-30	-	110
04	PEI	E121562	V0	Yes	-30	-	190
05	TPV	E80017	HB	Yes	-40	-	80
06	Acrylic adhesive/PE foam tape/PE liner	NO U.L.	Not rated	Yes	-20	-	70
07	PA46 Heat Stabilized	E47960	V2	Yes	-40	-	190
08	PA66 Impact Resistant	E41938	HB	Yes	-40	-	75
09	PA66 UV Stabilized	E333174	V2	Yes	-30	-	85
10	PA6	E36632	V2	Yes	-30	-	75
11	PA66 Impact Resistant	E235269	HB	Yes	-40	-	65
12	PA6+30% Glass Fiber Filled	E235269	HB	Yes	-30	-	190
13	Brass	NO U.L.	Not rated	Yes	/	-	/
14	PPS+40% Glass Fiber Filled	E109088	V0	Yes	-30	-	200
15	HIPS	E171666	HB	Yes	-20	-	80
16	POM	E45034	HB	Yes	-30	-	90
17	PVC	E41877	V0	Yes	0	-	70
18	PC Flame Retardant	E132010	V0	Yes	-30	-	125
19	Steel Nickel Plated	NO U.L.	Not rated	Yes	/	-	/
20	PA66+25% Glass Fiber Filled Flame Retardant	E36632	V0	Yes	-30	-	230
21	POM	E41938	HB	Yes	-30	-	90
22	PA66 Heat Stabilized	NO U.L.	Not rated	Yes	-30	-	65
23	Asahi Polyslider	E135476	HB	Yes	-20	-	65
24	LDPE	NO U.L.	Not rated	Yes	0	-	65
25	PC Heat Stabilized	E67171	V2	Yes	-30	-	125
26	PP	E85783	HB	Yes	0	-	75
27	PA66+30% Glass Fiber Filled	E41873	HB	Yes	-30	-	240
28	PSU	E41871	HB	Yes	-30	-	180
29	PC UV Stabilized	E67171	V2	Yes	-30	-	125
30	POM	E41938	HB	Yes	-30	-	100
31	PA6	E47960	V2	Yes	-40	-	85
32	TPV	E80017	HB	Yes	-40	-	80
33	PA66 Impact Resistant	E70062	HB	Yes	-40	-	65
34	PA66 Heat Stabilized	E41938	HB	Yes	-40	-	70
35	PA66+30% Glass Fiber Filled	E245249	HB	Yes	-30	-	240
36	PA66+33% Glass Fiber Filled	E41938	HB	Yes	-30	-	220
37	PA6	E173981	V2	Yes	-30	-	85
38	PA6+30% Glass Fiber Filled	E211125	HB	Yes	-30	-	200
39	POM	E41871	HB	Yes	-30	-	90
40	PVC Flame Retardant	NO U.L.	Not rated	/	0	-	70
41	PC Heat Stabilized	E67171	V2	Yes	-30	-	125
42	TPV	E80017	HB	Yes	-40	-	80
43	TPV	E80017	HB	Yes	-40	-	80
44	PE	E340831	V2	Yes	0	-	70
45	POM Heat Stabilized	E41938	HB	Yes	-30	-	90
46	PC+40% Glass Fiber Filled	NO U.L.	Not rated	Yes	-30	-	105
47	304 Stainless Steel	NO U.L.	Not rated	Yes	-150	-	700
48	PA46+20% Glass Fiber Filled Heat Stabilized	E172082	V0	Yes	-30	-	270
49	PA66	E70062	V0	Yes	-30	-	65
50	PBT+15% Glass Fiber Filled	E107536	V0	Yes	-30	-	190
51	PP UV Stabilized	NO U.L.	Not rated	Yes	-20	-	75
52	POM	E42337	HB	Yes	-30	-	100
53	ABS General Purpose	E56070	HB	Yes	0	-	70
54	Acrylic adhesive/EVA foam tape	NO U.L.	Not rated	Yes	-20	-	60
55	Rubber	NO U.L.	Not rated	Yes	-20	-	60
56	EVA	NO U.L.	Not rated	Yes	-30	-	50
57	Phosphor Bronze Nickel Platina plated	NO U.L.	Not rated	Yes	-30	-	350
58	TPU	NO U.L.	Not rated	Yes	-10	-	60
59	ABS+Antisatic	NO U.L.	Not rated	Yes	0	-	70
60	PVC Flame Retardant	NO U.L.	Not rated	Yes	0	-	70



RAW MATERIAL SPECIFICATION (GMS/DMS)

GMS No.	Material Description	UL File No.	UL Flame Rating	RoHs Compliance	Material Temperature Range °C		
61	Rubber adhesive/PE foam tape/Paper liner	NO U.L.	Not rated	Yes	-10	-	45
62	POM	E120354	HB	Yes	-30	-	100
63	POM	E41938	HB	Yes	-30	-	102
64	Conductive PA6	NO U.L.	Not rated	Yes	-10	-	70
65	PA66	E333734	V2	Yes	-30	-	85
66	PA66-I Impact-Modified	E41871	HB	Yes	-30	-	80
67	POM-HI	NO U.L.	HB	Yes	-30	-	84
68	PVC	NO U.L.	Not rated	Yes	-10	-	70
69	PA6+10% Glass Fiber Filled	NO U.L.	Not rated	Yes	-20	-	105
70	HDPE Heat Stabilized	NO U.L.	Not rated	Yes	-10	-	65

DMS No.	Material	Material Description	Material No.	RoHs Compliance	Min. Tensile Strength	Surface Finish	Tolerance for length dimensions
100	Brass	acc. to DIN 17660: Cu Zn 39 Pb 3	2.0401	Yes	430 N / mm ²	acc. to DIN 267: nickel plated (G3E)	+/-0.1 mm
101	Brass	acc. to DIN 17660: Cu Zn 39 Pb 3	2.0401	Yes	430 N / mm ²	/	+/-0.1 mm
200	Steel	acc. to DIN 176: 11 SMn Pb 30	1.0718	Yes	500 N / mm ²	acc. to DIN 267: zinc plated (A3F)	+/-0.1 mm (DIN 2768-m applies to SW 13)
201	Steel	acc. to DIN 176: 11 SMn Pb 30	1.0718	Yes	500 N / mm ²	/	+/-0.1 mm (DIN 2768-m applies to SW 13)
300	Aluminium	acc. to EN AW 2011: AlCuBiPb	3.1655	Yes	310 N / mm ²	/	+/-0.1 mm (DIN 2768-m applies to SW 13)
400	Stainless Steel / Niro	acc. to EN 10088: X8CrNiS 18-9	1.4305	Yes	750 N / mm ²	/	+/-0.1 mm (DIN 2768-m applies to SW 13)

DMS No.	Material Description	UL File No.	UL Flame Rating	RoHs Compliance	Material Temperature Range °C		
818	Polyamid 6.6 (Natural)	/	V2	Yes	-30	-	100
823	Polyamid 6.6 (White)	E76261	V2	Yes	-30	-	100

RAW MATERIAL SPECIFICATION/DISCLAIMER OF WARRANTY

These Raw Material Specifications shall not be construed as creating an express warranty of description. The specifications are approximate and intended to serve only as guides and not as the basis of any sale, agreement or contract of goods sold by Gecko International Co..

Gecko reserves the right to change the raw material on any of its goods contained in this catalog without notice to any buyer. Further, these Raw Material Specifications have been provided by the manufacturer and Gecko International Co. does not warrant their accuracy.

Nylon Storage Guidelines/Shelf Life: All Gecko nylon parts are packaged in sealed plastic bags and contain an appropriate level of moisture. When stored in the original unopened bags at 73°F (23°C) and 50% RH, parts shelf life is one year from date of shipment.



PLASTIC PARTS INDEX

1			
1323/095	388		
3			
32K4102	242		
32K4103	242		
B			
Bushing 700-000500-001	332		
C			
CBS	315		
CLO-2L	386		
CUP WASHER	177		
D			
DL-1	365		
DL-4	365		
DL-5	365		
DMP-A1	348		
DMP-A2	348		
DMP-B	349		
DMP-C	349		
DMP-D1	350		
DMP-D2	350		
DMP-E	351		
F			
Fast Lock	261		
G0			
G003	172		
G003 0812 000 01	171		
G006 1081	182		
G006 1082	183		
G007 1040	182		
G007 2060	181		
G007 3060	181		
G0113 0002 010	263		
G015	172		
G018	176		
G021	294		
G031	172		
G037-0500	296		
G039	183		
G041	172		
G0451000	182		
G052863000	318		
G054	336		
G055	336		
G061	184		
G081-082	203		
G096	259		
G1			
G104	172		
G11491	329		
G120	363		
G12447	212		
G1328	184		
G13299	184		
G133103055-A	260		
G1512	337		
G1533887	373		
G156022400	332		
G156143140	388		
G161 0100	183		
G164001000002	333		
G167	248		
G16MLSW050104140	173		
G17W08070UV	171		
G2			
G201	264		
G2075477	332		
G23TA00090	271		
G272XW0012A	335		
G27MXT	247		
G27XT	247		
G27XTS1250308	248		
G2PD-00006A	174		
G3			
G3037372	331		
G3336008	175		
G34044000	203		
G3421293	256		
G3665565	174		
G4			
G4052318	175		
G4094149	170		
G442	170		
G4430 000 16968	212		
G4430 000 18787/18788	180		
G4430 000 18789	176		
G4822376	249		
G49052980	370		
G49060810	368		
G49071780	372		
G4907293A	368		
G4907293B	368		
G4907293C	369		
G4907293D	370		
G4907293E	371		
G4907293F	369		
G4930TKK	320		
G498078	333		
G5			
G55EC9300	367		
G6			
G611	170		
G7			
G70094086	391		
G8			
G84103-90-010	256		
G9			
G913975	177		
GA			
GA100140B	384		
GA1126B	377		
GA5810B	378		
GA6009B	378		
GA6016B	376		
GA6325B	377		
GA6609B	379		
GA6611B	378		
GA6807B	380		
GA6808B	379		
GA6810B	379		
GA7712B	380		
GA7712B-SP	380		
GA7720	376		
GA7809B	381		
GA7810B	381		
GA7911B	381		
GA8098B	382		
GA8813B	382		
GA8928B	382		
GA95150B	383		
GA9813B	383		
GA9917B	383		

PLASTIC PARTS INDEX

GACR	295	GCBS2	130	GDLSPP6	42 - 43
GA-CR50-48-01	369	GCBS3	131	GDLSPP7	42 - 43
GA-CR50-48B-01	370	GCBS4	131	GDLSPP8-19M-66	46
GA-CR58-54-01	371	GCBS5	151	GDLSPTH	53 - 54
GA-CR62-54B-01	371	GCBS-TF	94	GE	
GA-E-147-07	373	GCBS-TMM	104 - 105	GEG	159
GA-E-222-PUR	374	GCDLCBST	140	GEHCBS-6	148
GAEB7425-A	334	GCE	179	GEHCBS-7	148
GAEPA	39	GCG	161	GEHCBS-9	148
GA-I-34-01	389	GCGH-1	160	GEWSE	324
GALP	251	GCHROHS-34812	196 - 197	GEXWHC2	293
GALP100	251	GCHS-S-1207	185 - 187	GF	
GAVC-5000	362	GCLP	256	GF	352-354
GAWS	319	GCP-RJ	338	GFCCE	306
G-		GCPS	79	GFCCS	306
G-Battery Holder	385	GCR	230 - 231	GFF-4010	360
GB		GCRJ-11	338	GFF-5014	360
GBED05	178	GCRLCBSR-L2	81	GFF-5610	361
GBF-1001	356	GCRS-7045	198 - 199	GFF-5614	361
GBF-1002	356	GCS113	366	GFFCBE62	163
GBF-1005	356	GCS-515	366	GFFCI-4904	180
GBF-3010	358	GCSHS-2009	188 - 189	GFFCOMA	392
GBF-4010	359	GCSHSC-7046	189 - 191	GFFCP	392
GBHDF	167	GCSOHS-2010	191 - 192	GFFG-3A	357
GBHDF-1	167	GCSOHS-7047	193 - 194	GFFP-16.5	363
GBHDF-2	166	GCTM-1	267	GFFTA1510	287
GBHF	245	GCTM-15	270	GFN10-0025WH	364
GBHMWS	323	GCTM-3	268	GFQ1426	336
GBHMWS2	323	GCTM-4	272	GFSR	243
GBM51-A466K45-A	390	GCTM-5	269	GFTH-1-01	276
GBPE-SC	339	GCTM-6	269	GFTH-11	277
GBPE-ST	339	GCTM-9	270	GFTH-13HC	273
GBR	259	GD		GFTH-13R-01	274
GBRKT-YN1	390	GDE09-0195	29	GFTH-13S-01	274
GBS	68 - 70	GDF-137	238	GFTH-14HC	273
GBS2	68 - 70	GDF-30110	237	GFTH-24	276
GBS3	71	GDHURC	304	GFTH-28RS-01	275
GBS4	68 - 70	GDLCBS5	41	GFTH-34	273
GBS5	68 - 70	GDLSPP1	44 - 45	GFTH-35	273
GBS6	71	GDLSPP2	44 - 45	GFTH-36-01BK	271
GBWS	324	GDLSPP3	44 - 45	GFTH-5	268
GC		GDLSPP4	40	GFTH-7A1	267
GCBP	56 - 57	GDLSPP4-14-6B-C	39	GH	
GCBS	130	GDLSPP5	42 - 43	GH-62	305



PLASTIC PARTS INDEX

GH-63	305	GLCBSC14	82	GLWS-SR	317
GHCBS	93	GLCBSC15	74	GM	
GHHS-4017	200 - 201	GLCBSC2	76 - 77	GM6*20	201
GHMCC-1	308	GLCBSC3	72	GMB	239
GHMCC-4	308	GLCBSC4	74	GMBHWSSE	322
GHN	211	GLCBSC5	75	GMBRP	243
GHSR-1	146	GLCBSC6	75	GMBRR1	243
GHTN	120	GLCBSC7	75	GMBS	144
GHTN-SS/IS-II	120	GLCBSC8	76 - 77	GMCBP	56 - 57
GHTS	109 - 112	GLCBSC9	76 - 77	GMEG	146
GHTS-440	113	GLCBS-TF	94	GMEG42555	265
GHTS-FF	115 - 117	GLED	345	GMEG648210	265
GHTS-FF-1032	118	GLEDM-1	346	GMGS	334
GHTS-FF-440	118	GLEDM-2	347	GMKKJ-4	295
GHTS-FF-632	118	GLEDS1	340	GMP	239
GHTS-M3-5.5	126	GLEDS1E	342	GMP1	239
GHTS-MF	113	GLEDS2	341	GMPS	143
GHTS-MM	103	GLEDS2E	343	GMPS2	145
GHTS-SMF	113	GLEDS2M	344	GMSCBST	100 - 102
GHURC	304	GLEDS3	341	GMSNE	158
GHURCBH	304	GLEWSE	325	GMSNE1	158
GI		GLMSPM	26	GMSPDL	58 - 59
GIEC-TO-220-18	385	GLN405PA66	389	GMSPDLN	58 - 59
GK		GLNCBS	29	GMSPDLN1	65 - 66
GKCA-30	46	GLSP1	33 - 34	GMSPE	60
GKL	279	GLSP10	27	GMSPMST	166
GKLB	280	GLSP11	25	GMSPS	61
GKNF	211	GLSP12	41	GM-SR3080	252
GKSLBN	67	GLSP13-8	32	GMSS-M4	92
GKSLSP1	67	GLSP14	41	GMWCK	327
GKWS	319	GLSP15-6-66	32	GMWS-8-66	314
GL		GLSP16-16M-66	26	GMWS-A1	311
GL0133108AA01	373	GLSP17-6-66	37	GMWS-A11	311
GL0218997AA06	333	GLSP2	30 - 31	GMWS-A2	312
GL0334481AA01	173	GLSP3	30 - 31	GMWS-A21	312
GL0543000AA01	157	GLSP4	33 - 34	GMWSB-1	327
GL0562655AA01	174	GLSP5	27	GMWSB2	328
GLCBG	161	GLSP6	30 - 31	GMWSB-2	327
GLCBS-9	28	GLSP7	35 - 36	GMWSB-3	328
GLCBSC	78	GLSP8	35 - 36	GMWSELF-1	314
GLCBSC10	78	GLSP9	35 - 36	GMWSET1	313
GLCBSC11	72	GLWS	316	GMWSET2	313
GLCBSC12-2	78	GLWS-A1	316	GMWSLT	321
GLCBSC13	74	GLWS-A2	316	GMWSLTB	322

PLASTIC PARTS INDEX

GMWS-T	313	GPPR-15	233	GRS3053SP	232
GN		GPPR-16	233	GRS30-60	232
GNB/GNA	169	GPPR-2	234	GRS-58H	362
GNK-10N	293	GPPR-3	233	GRS85	233
GNPR2007	53 - 54	GPPR-4	235	GRSP-HTS-1/4-20-SS/-IS/-II	128
GNPS	73	GPPR-5	234	GRSP-HTS-8-32-SS/-IS/-II	128
GNSP-HTS2-SS/-IS/-II	121 - 125	GPPR-50092	234	GRSP-HTS-M3	129
GNSP-HTS-M4	126	GPPR-6	235	GRSP-HTS-SS/-IS/-II	127
GNSP-HTS-M5M6	126	GPPR-8	234	GRT30-41	229
GNS-T2N	171	GPPR-9	235	GRTN-M3-M4	129
GNS-T5	178	GPS	143	GRTS-FF	119
GNS-TS4	176	GPSB	132	GRTS-M4-8-45	114
GNWS	308	GPSBM	133	GRTS-MM-M4-8-6	106
GNWS-A1	309	GPS-TD	141 - 142	GRW	309
GNWS-A2	309	GPX	165	GRWS	298
GNWSH	181	GR		GRWSB	296
GO		GR104800B	218	GS	
GOFNS	329	GR20-32	213 - 214	GS-3/16	388
GOT-0010	337	GR3523B	244	GSBWS	324
GP		GR35-60	215 - 217	GSCBS	84 - 86
GP000321970	204	GRA13	294	GSCBS1	98 - 99
GPAKKL	297	GRA9	294	GSCBS2	98 - 99
GPCB-MB	151	GRBF	246	GSCBS3	87 - 89
GPPF-1-01	247	GR-C	227	GSCBS4	87 - 89
GPGM	335	GRCD	79	GSCBS5	87 - 89
GPGS	37	GRCP	258	GSCBS6	90 - 91
GPGSA-0407A	330	GRCP-24YS	258	GSCBS7	90 - 91
GPGSA-0512	331	GRCPW	258	GSCBS8	84 - 86
GPGSB	330	GRCT	262	GSCBS9	90 - 91
GPGSC	331	GRDC	162	GSCBSP	147
GPH.041791	385	GRF	219 - 222	GSCH-PH2	202
GPHS-S-1580	194 - 196	GRH26-35	228	GSCR5103	237
GPHS-S-440	202	GRHR20-32	223	GSEI	260
GPL00	278	GRHR35-60	224	GSHK	302 - 303
GPL-1	245	GRHRF20-60	225 - 226	GSHKBS	297
GPLS	144	GRLCBSA	83	GSHK-J1	302 - 303
GPLS019163	180	GRLCBSL-2	80	GSKLO	280
GPOF	355	GRLEHCBS	150	GSL35-48	254
GPPR-1	234	GRLSP	38	GSLCS	299
GPPR-10	234	GRMZ	177	GSLCSE	300 - 301
GPPR-11	235	GRR188	244	GSLG-L	241
GPPR-12	235	GRR250	244	GSLG-M	242
GPPR-13	233	GRRCT	266	GSLG-S	240
GPPR-14	235	GRS-16	138	GSLPB-L	241



PLASTIC PARTS INDEX

GSLPB-M	242	GTB/GTA	168	GW711941	374
GSLPB-S	240	GTC-30	307	GW714003	384
GSLPL	241	GTCBNS	95 - 97	GW716169	390
GSLWS	314	GTCG1	162	GW780404	391
GSMWSLT	325	GTEHCBS	149	GW780832	173
GSN	325	GTH-4	273	GWCC1	305
GSOE	350	GTLG	257	GWCK	327
GSOTL	281 - 282	GTLH	291	GWHC	292
GSOTL2	283 - 284	GTLP	257	GWIT-50RA	262
GSOTL3	289 - 290	GTLSP	25	GWIT-50RLA	262
GSOTL4	285 - 286	GTMSPM	26	GWS-9	319
GSOTL5	288	GTOA	263	GWSLT	320
GSOTL6	287	GTR-1	255	GWSLT-9	321
GSOTL8	291	GTR-3	255	GWS-SE	318
GSP1	62 - 64	GTR3080B	252	GWS-SR	317
GSP2	62 - 64	GTR3545B	236	GW-T	178
GSP3	62 - 64	GTR3545B-11.5	236	GY	
GSP4	65	GTR-4	255	GY-285	272
GSP-MDL-1	47 - 49	GTR4185B	236	N	
GSP-MDL-2	47 - 49	GTRCG	163	Net Clip	391
GSP-MDL-3	53 - 54	GTS	204-210	OD	
GSP-MDL-4	50	GTS1	204-210	OD*ID*L	135 - 137
GSP-MDL-AH	55	GTS2	204-210	OD5*ID2.7*L3-1	138
GSP-MDLS-1	51 - 52	GTS3	204-210	OD5.3*L25	139
GSP-MDLS-2	51 - 52	GTSHS	202	P	
GSRLAHS	38	GU		PCB Plastic Cover	387
GSR4	153-155	GUAMS	314	PPR-9	235
GSR6	153-155	GUS08/GSG8	159	S	
GSR8	153-155	GUSR1131	375	SRP	218
GSRSG6	157	GUSR1132	237, 375	SS1	257
GSSRS12	156	GUSR1133	375	SS2	257
GSSRS4	152	GUSR6319W	384	T	
GSSRS8	152	GUSR64125	377	TCBP	92
GSV	164	GUSR67150	376	TCBS	107 - 108
GSVA120MBM	164	GV		Tray Clip	387
GSVA160BW	165	GVMCGE	161		
GT		GVMCGLE	160		
GT	134	GVP3081	253		
GT112283	250	GVP3095	253		
GT-350	132	GVP4112	252		
GT50SDP6	263	GVP4145	253		
GT76460	249	GVP6H5X10836AE	175		
GT95190	250	GW			
GTB	364	GW711941	249, 374		



METAL PARTS INDEX

11		1413X	397	226ST4.2X	404
110X	394	21		228ST4.8X	404
111X	393	211X	400	229ST6.3X	404
112X	393	212X	400	23	
113X	393	213X	400	232X	405
114X	393	214X	400	234X	405
115X	393	215X	400	235X	405
116X	393	216X	400	236X	405
118X	393	218X	400	238X	405
119X	393	219X	400	239X	405
1112X	393	2100X	402	2313X	405
1113X	393	2103X	402	24	
118139X	398	2112X	400	242X	406
1181510X	398	2113X	400	244X	406
1182X	399	2130X	402	246X	406
1183X	399	2182X	407	248X	406
1186X	399	2183X	407	249X	406
1188X	399	2186X	407	2413X	406
12		2188X	407	32	
121X	395	218139X	408	324X	415
122X	395	2181510X	408	41	
123X	395	212ST2.2X	401	411X	409
124X	395	214ST2.9X	401	412X	409
125X	395	214ST3.3X	401	413X	409
126X	395	215ST3.5X	401	414X	409
127X	395	216ST4.2X	401	415X	409
128X	395	218ST4.8X	401	416X	409
129X	395	219ST6.3X	401	418X	409
1212X	395	22		419X	409
1213X	395	221X	403	4112X	409
13		222X	403	4113X	409
132X	396	223X	403	418139X	414
134X	396	224X	403	4181510X	414
135X	396	225X	403	4182X	413
136X	396	226X	403	4183X	413
138X	396	227X	403	4186X	413
139X	396	228X	403	4188X	413
1313X	396	229X	403	42	
14		2212X	403	421X	410
142X	397	2213X	403	422X	410
144X	397	222ST2.2X	404	423X	410
146X	397	224ST2.9X	404	424X	410
148X	397	224ST3.3X	404	425X	410
149X	397	225ST3.5X	404	426X	410



METAL PARTS INDEX

427X	410
428X	410
429X	410
4212X	410
4213X	410
43	
432X	411
434X	411
435X	411
436X	411
438X	411
439X	411
4313X	411
44	
442X	412
444X	412
446X	412
448X	412
449X	412
4413X	412

