

TECHNICAL DATA SHEET

PRODUCT

SELF CLINCH NUTS

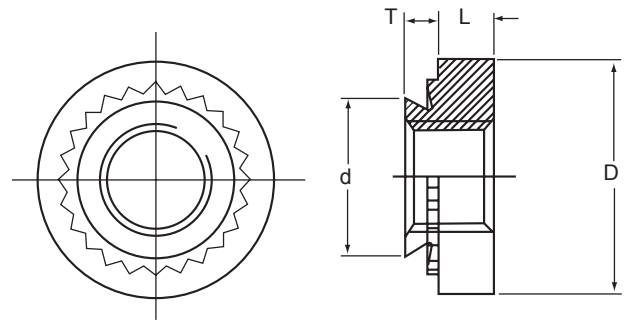


MATERIAL

ST	Steel
SS	Stainless steel
AL	Aluminium

FINISH

ZN	Zinc Plating
----	--------------



Thread Code	Thread size Pitch	Shank Code (T max)				Length (L) ± 0.25								Dimension	
		0	1	2	3								Max d	Max D	
M2	M2 x 0.4	0.76	0.97	1.37	-	1.5	-	-	-	-	-	-	-	4.22	6.3
M2.5	M2.5 x 0.45	0.76	0.97	1.37	-	1.5	-	-	-	-	-	-	-	4.22	6.3
M3	M3 x 0.5	0.76	0.97	1.37	-	1.5	-	-	-	-	-	-	-	4.22	6.3
M3.5	M3.5 x 0.6	0.76	0.97	1.37	-	1.5	-	-	-	-	-	-	-	4.73	7.1
M4	M4 x 0.7	0.76	0.97	1.37	-	-	-	2	-	-	-	-	-	5.38	7.9
M5	M5 x 0.8	0.76	0.97	1.37	-	-	-	2	-	-	-	-	-	6.38	8.7
M6	M6 x 1.0	1.15	1.37	2.21	-	-	-	-	-	4.08	-	-	-	8.72	11.05
M8	M8 x 1.25	-	1.37	2.21	-	-	-	-	-	-	-	5.47	-	10.47	12.65
M10	M10 x 1.5	-	2.21	3.05	-	-	-	-	-	-	-	-	7.48	13.97	17.35
2-56	2-56	0.76	0.97	1.37	2.21	-	1.78	-	-	-	-	-	-	4.19	6.35
4-40	4-40	0.76	0.97	1.37	2.21	-	1.78	-	-	-	-	-	-	4.19	6.35
6-32	6-32	0.76	0.97	1.37	2.21	-	1.78	-	-	-	-	-	-	4.75	7.11
8-32	8-32	0.76	0.97	1.37	2.21	-	-	-	2.29	-	-	-	-	5.38	7.87
10-24	10-24	0.76	0.97	1.37	2.21	-	-	-	2.29	-	-	-	-	6.32	8.64
10-32	10-32	0.76	0.97	1.37	2.21	-	-	-	2.29	-	-	-	-	6.32	8.64
1/4-20	1/4-20	1.14	1.37	2.21	3.05	-	-	-	-	-	-	-	-	8.71	11.18

Custom sizes on request

To request more information contact us at sales@sucatec.com

IMPORTANT: This data sheet and its contents (the "Information") are owned by Sucatec or are licensed to it. The Information is provided solely for informational purposes related to the products described. No license is granted for any other use, and no intellectual property rights are transferred. The Information is subject to change without notice and supersedes all previous data sheets. While believed to be accurate, Sucatec assumes no responsibility for the accuracy or completeness of the Information, any errors or omissions, or any reliance on it. Users should verify the Information and the suitability of the products for their purposes independently. Liability for any loss or damage resulting from reliance on the Information or its use (including liability due to negligence or if Sucatec was aware of potential loss or damage) is excluded. © 2024 Sucatec