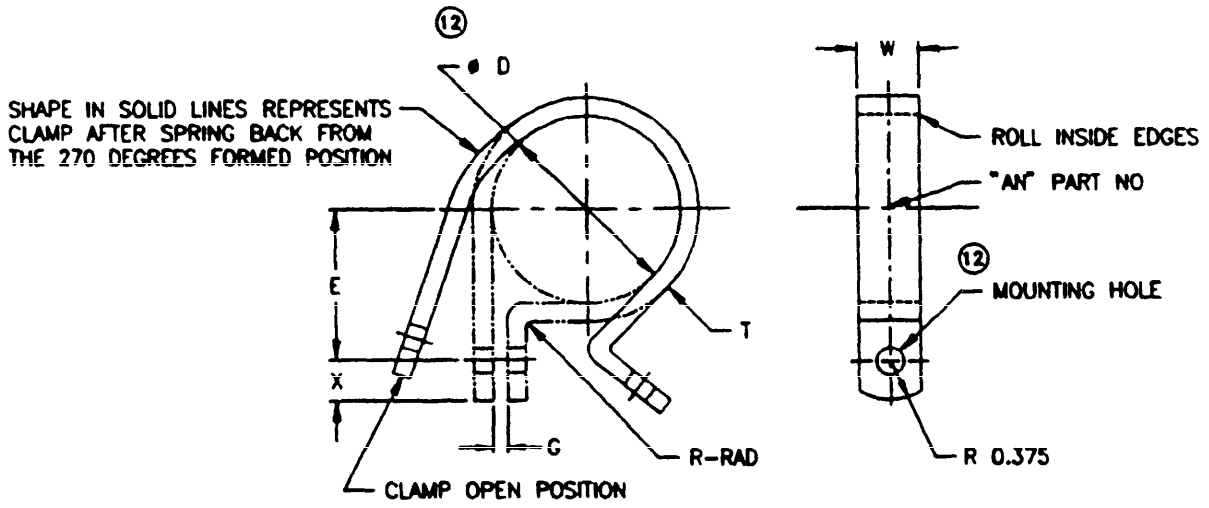


INACTIVE FOR NEW DESIGN DATED 13 APRIL 1995

VIEW ACTIVITIES:
-82
-87-M
DLA-15
MARINE CORP-16

NOTICE: When drawings, specifications or other data are used for any purpose other than in connection with a project authorized by the Government, the user assumes all responsibility for any infringement or other legal liability. The Government shall not be held responsible for any such infringement or other legal liability. The Government shall not be held responsible for any such infringement or other legal liability. The Government shall not be held responsible for any such infringement or other legal liability.

DISTRIBUTION STATEMENT: Approved for public release; distribution is unlimited. This drawing is the property of the Air Force and Navy and is loaned to you for your use only. It and its contents are not to be distributed outside your organization. If you are a contractor or subcontractor, you are to use this drawing only for the project for which it was prepared. It is not to be used for any other project without the written approval of the contractor. If you are a contractor or subcontractor, you are to use this drawing only for the project for which it was prepared. It is not to be used for any other project without the written approval of the contractor.



REQUIREMENTS:

MATERIALS AND FINISH

- (-) = AISI-1010 STEEL, TEMPER T 4 PER ASTM A 109
FINISH - CADMIUM PLATED PER QQ-P-416, TYPE II, CLASS 2
- (D) = ALCLAD 2024-0, ALUMINUM ALLOY PER QQ-A-250/5
HEAT TREATED PER MIL-H-8088 TO T42 CONDITION
FINISH - CHEMICAL FILM PER MIL-C-5541, CLASS 1A
- (F) = AISI-321 CORROSION RESISTANT STEEL PER AMS 5510
FINISH - PASSIVATED PER QQ-P-35

NOTES:

1. EXAMPLE OF PART NUMBERS:
AN742-B = CLAMP, STEEL .500 ID
AN742DB = CLAMP, ALUMINUM ALLOY .500 ID
AN742FB = CLAMP, CORROSION RESISTANT STEEL .500 ID
2. THE PART NUMBER AND THE MANUFACTURER'S IDENTIFICATION SHALL BE MARKED ON EACH CLAMP
3. REMOVE ALL BURRS AND SHARP EDGES
4. DIMENSIONS ARE IN INCHES. UNLESS OTHERWISE SPECIFIED, TOLERANCES: ±.015
5. CLAMPS SHALL BE FURNISHED IN THE OPEN POSITION
6. FOR DESIGN FEATURE PURPOSES, THIS STANDARD TAKES PRECEDENCE OVER PROCUREMENT DOCUMENT REFERENCED HEREIN. REFERENCED DOCUMENTS SHALL BE OF THE ISSUE IN EFFECT ON DATE OF INVITATION FOR BID
7. CODE "F" CLAMP MANUFACTURED FROM AMS 5510 CRES SHALL BE USED IN BOTH CORROSIVE AND HIGH TEMPERATURE ENVIRONMENT
8. CODE "H" CLAMP HAS BEEN SUPERSEDED BY CODE "F" CLAMP EFFECTIVE FROM THE DATE OF THIS DOCUMENT. HOWEVER CODE "H" CLAMP SHALL BE USED UNTIL EXISTING STOCKS ARE DEPLETED

(12) DENOTES CHANGES

P.A.: NAVY-AS CUSTODIANS: AIR FORCE-99 ARMY-AV	AIR FORCE-NAVY AERONAUTICAL STANDARD	AN742
	CLAMP, LOOP, PLAIN, SUPPORT, AIRCRAFT	
PROCUREMENT SPECIFICATION MIL-C-8603	SUPERSEDES USAF DWG 742 AND (WITH AN743) SUPERSEDES NAF DWG 1051 TYPES 1 AND 2	SHEET 1 OF 3

APPROVED 21 JUL 44 REVISED (10) 26 AUG 87 (11) 30 DEC 93 (12) 13 APR 95

REVIEW ACTIVITIES
AF-B2
ARMY-M
DUA-15
MARINE CORP-NC

NOTICE: When Government drawings, specifications or other data are used for any purpose other than in connection with a definitely related Government procurement operation, the United States Government hereby accepts no responsibility for any inaccuracies that may appear, and the fact that the Government may have furnished such data in any way is not to be regarded as an implied warranty, specification, or other data is not to be regarded as a specification or other data as in any way releasing the holder or any other person or corporation or conveying any rights or permission to manufacture use, or sell any patented invention that may in any way be related thereto.

DISTRIBUTION STATEMENT A: Approved for public release; distribution is unlimited.
NOTICE: This drawing was approved by joint action of the Air Force and Navy Departments as the Air Force - Navy standard for this product. This drawing supersedes all antecedent standard drawings for the same product and shall become effective for the procurement of aeronautical supplies or for use in new design not later than 6 months after the latest date of approval shown. ANSC N/A

DASH NUMBERS	RIGID TUBE NOMINAL OD (REF)	D DIA ±.010	E		G	R ±.010	T			AL ALLOY		ALL STEEL		X
			ALUMI-NUM ALLOY	ALL STEEL			AL ALLOY	CARBON STEEL	HIGH TEMP CRES	W	MTG HOLE DIA ±.005	W	MTG HOLE DIA ±.005	
2	.125	.125	.360	.360	.062 +.016 -.000	.062								
3	.188	.188	.423	.423										
4	.250	.250	.457	.457										
5	.313	.313	.498	.498										
6	.375	.375	.529	.529										
7	.438	.438	.560	.560										
8	.500	.500	.592	.592										
9	.563	.563	.623	.623										
10	.625	.625	.654	.654										
11	.688	.688	.752	.749										
12	.750	.750	.783	.780										
13	.813	.813	.814	.811										
14	.875	.875	.845	.842										
15	.938	.938	.877	.858										
16	1.000	1.000	.908	.889										
17	1.063	1.063	.939	.920										
18	1.125	1.125	.970	.951										
19	1.188	1.188	1.002	.983										
20	1.250	1.250	1.062	1.030										
21	1.313	1.313	1.093	1.061										
22	1.375	1.375	1.124	1.092										
23	1.438	1.438	1.156	1.124										
24	1.500	1.500	1.187	1.155										
25	1.563	1.563	1.218	1.186										
26	1.625	1.625	1.249	1.217										
27	1.688	1.688	1.281	1.249										
28	1.750	1.750	1.312	1.280										
29	1.812	1.812	1.344	1.312										
30	1.875	1.875	1.374	1.342										
31	1.938	1.938	1.406	1.374										
32	2.000	2.000	1.437	1.405										
					.094 +.031 -.000	.125								

(12) (12) (12)

(12) DENOTES CHANGES

P.A.: NAVY-AS CUSTODIANS: AIR FORCE-99 ARMY-AV	AIR FORCE-NAVY AERONAUTICAL STANDARD	AN742
	CLAMP, LOOP, PLAIN, SUPPORT, AIRCRAFT	
PROCUREMENT SPECIFICATION MIL-C-8603	SUPERSEDES USAF DWG 742 AND (WITH AN743) SUPERSEDES NAF DWG 1091 TYPES 1 AND 2	SHEET 2 OF 3

APPROVED 21 JUL 44 REVISED (12) FOR CHANGES SEE SHEETS 1 AND 3

REVIEW ACTIVITIES:
AF-B2
ARMY-M
DLA-S
MARINE CORP-UC

NOTE: The latest drawings, specifications or other data are used for any purpose other than in connection with the Government's procurement operation. The Government is not responsible for any data shown on drawings or specifications that are not included in the latest issue of the drawing or specification. It is the responsibility of the contractor to determine the applicability of the latest issue of the drawing or specification to the procurement. It is the responsibility of the contractor to determine the applicability of the latest issue of the drawing or specification to the procurement. It is the responsibility of the contractor to determine the applicability of the latest issue of the drawing or specification to the procurement.

DISTRIBUTION: Approved for public release; distribution is unlimited. Form was approved by joint action of the Air Force and Navy Departments. Air Force - Navy standard for this product. This drawing supersedes all previous drawings for the same product and shall become effective for the procurement of aeronautical supplies or for use in new design not later than 6 months after the latest date of approval shown. ANEC N/A

DASH NUMBERS	RIGID TUBE NOMINAL OD (REF)	D DIA ±.010	E		G	R ±.010	T			AL ALLOY		ALL STEEL		X
			ALUMI-NUM ALLOY	ALL STEEL			AL ALLOY	CARBON STEEL	HIGH TEMP CRES	W	MTG HOLE DIA ±.005	W	MTG HOLE DIA ±.005	
33	2.062	2.062	1.468	1.444	.125 +.031 -.000	.125	.063 ±.005	.040 ±.004	.040 ±.004	.500	.218	.500	.218	.218
34	2.125	2.125	1.499	1.475										
35	2.188	2.188	1.531	1.507										
36	2.250	2.250	1.562	1.538										
37	2.312	2.312	1.594	1.570										
38	2.375	2.375	1.624	1.600										
40	2.500	2.500	1.687	1.663										
42	2.625	2.625	1.752	1.728										
43	2.680	2.680	1.778	1.754										
44	2.750	2.750	1.812	1.788										
45	2.812	2.812	1.844	1.820										
46	2.875	2.875	1.875	1.851										
48	3.000	3.000	1.937	1.913										
50	3.125	3.125	2.000	1.976										
52	3.250	3.250	2.062	2.038										
54	3.375	3.375	2.125	2.101										
56	3.500	3.500	2.187	2.163										
58	3.625	3.625	2.250	2.226										
64	4.000	4.000	2.437	2.413										
66	4.125	4.125	2.500	2.476										

⑫ DENOTES CHANGES

P.A.: NAVY-AS CUSTODIANS: AIR FORCE-99 ARMY-AV	AIR FORCE-NAVY AERONAUTICAL STANDARD	AN742
	CLAMP, LOOP, PLAIN, SUPPORT, AIRCRAFT	
PROCUREMENT SPECIFICATION MIL-C-8603	SUPERSEDES USAF DWG 742 AND (WITH AN743) SUPERSEDES NAF DWG 1051 TYPES 1 AND 2	SHEET 3 OF 3