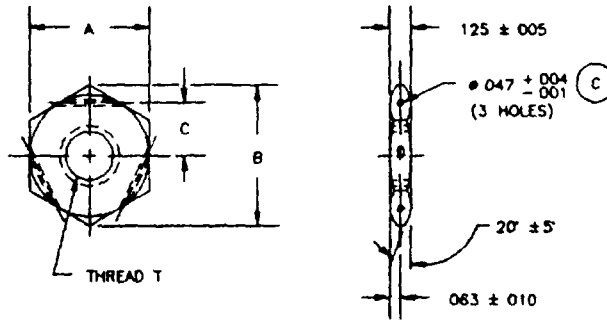


THE REQUIREMENTS FOR ACQUIRING THE PRODUCT(S) DESCRIBED HEREIN SHALL CONSIST OF THIS SPECIFICATION SHEET AND THE ISSUE OF THE FOLLOWING SPECIFICATION LISTED IN THAT ISSUE OF THE DODISS SPECIFIED IN THE SOLICITATION FF-N-836

THIS SPECIFICATION IS APPROVED FOR USE BY ALL DEPARTMENTS AND AGENCIES OF THE DEPARTMENT OF DEFENSE

Form Approved  
OMB No 0704-0188



DASH NO		THREAD T	A		B		C	
CRES	STEEL CAD PLATED		MAX	MIN	MAX	MIN	MAX	MIN
-01	-21	164-32 UNC-2B	345	336	398	383	115	090
-02	-22	190-32 UNF-2B	376	367	434	414	132	107
-03	-23	375-32 UNEF-2B	564	553	651	630	240	210
-04	-24	469-32 UNS-2B	630	620	731	709	280	250
-05	-25	625-24 UNEF-2B	817	807	941	919	388	358
-06	-26	750-20 UNEF-2B	943	933	1086	1064	465	435
-07	-27	500-20 UNF-2B	630	620	731	709	280	250
-08	-28	625-18 UNF-2B	752	741	868	845	350	330

**REQUIREMENTS**

- (C) 1 **MATERIALS**  
Corrosion Resisting Steel Compositions 302 (UNS S30200) 303 (UNS S30300), 303Se (UNS S30323) 304 (UNS S30400) 304L (UNS S30403) 305 (30500) 309 (UNS S30900), 310 (UNS S31000), 316 (UNS S31600), 316L (UNS S31603) 317 (UNS S31700) 321 (UNS S32100) or 347 (UNS S34700) in accordance with QQ-S-763, ASTM A484, ASTM A555, ASTM A581 or ASTM A582  
Carbon Steel Compositions 1006 (UNS G10060) thru 1095 (UNS G10950) in accordance with ASTM A29
- (C) 2 **PROTECTIVE TREATMENT**  
Corrosion Resisting Steel Passivate in accordance with QQ-P-35  
Carbon Steel, Cadmium Plate in accordance with QQ-P-416 type II class 2
- (C) 3 **THREADS**, Threads shall be in accordance with FED-STD-H2B/2 Thread acceptability shall be to FED-STD-H2B/20, system 21
- (C) 4 **PART NUMBER**  
Part number shall consist of the basic MS number followed by a dash number



Example of part number: MS21340-07 = 500-20 UNF-2B, corrosion resisting steel, passivated nut with drilled holes in flats

**NOTES**

- 1 Break all sharp edges and remove all burrs. The resulting chamfer or countersink around both sides of the tapped hole shall not exceed 005 in depth from the bearing surface
- 2 All dimensions are in inches
- 3 In the event of a conflict between the text of this specification sheet and the references cited herein. The text of this specification sheet shall take precedence
- 4 Referenced government (or non-government) documents of the issue listed in that issue of the Department of Defense Index of Specifications and Standards (DODISS) specified in the solicitation form a part of this standard to the extent specified herein

(C) DENOTES CHANGE(S)

**INCH-POUND**

PREPARING ACTIVITY DLA-IS CUSTODIANS ARMY- NAVY- AIR FORCE- 99 DLA- REVIEW USER PROJECT NUMBER 5310-1903	<b>MILITARY SPECIFICATION SHEET</b> TITLE NUT, PLAIN, HEXAGON ELECTRICAL, THIN (WITH LOCKWIRE HOLES)	SPECIFICATION SHEET NUMBER <b>MS21340</b> 15 SEP 93 REV C SUPERSEDING MS21340 B 17 SEP 1973 AMSC- N/A FSC 5310
DISTRIBUTION STATEMENT A. Approved for public release distribution is unlimited.		Page 1 of 1