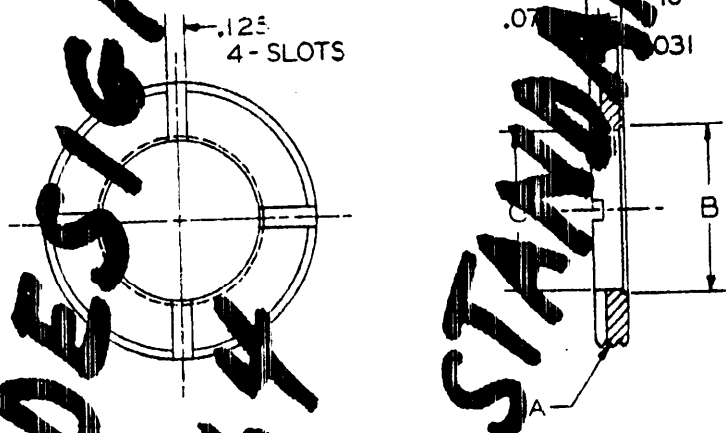


204

NOTICE: When Government drawings, specifications, or other data are used for any purpose other than in connection with a definitely related Government procurement operation, the United States Government thereby incurs no responsibility, nor any obligation whatsoever; and the fact that the Government may have furnished information or in any way supplied the said drawings, specifications, or other data is not to be regarded as an implication or acknowledgment in any manner licensing the holder or any other person or corporation, or conferring any rights or privileges of manufacture, use, or sale in any way by the Government.

INACTIVE FOR DESIGN
11/16/64
NO SUPERSEDED STANDARD



DASH NO.	DIMENSIONS	C
1	1/16 -18 NFP-2A THD 1/2 DIA	1 5/16 DIA
2	1/16 -18 NFP-2A THD 1/2 DIA	1 DIA

- NOTES:
1. TOLERANCES ON DIMENSIONS, WHERE NOT OTHERWISE SHOWN, SHALL BE HELD TO $\pm .005$ ON DECIMALS, $\pm .001$ ON FRACTIONS.
 2. MATERIAL SHALL BE PER FEDERAL SPECIFICATION QQ-B-611, CADMIUM COATED, TYPE I, CLASS-C, PER FEDERAL SPECIFICATION QQ-P-416.
- REFERENCED SPECIFICATIONS OF THE ISSUE IN EFFECT ON DATE OF INVITATION FOR BIDS SHALL APPLY.

ALL DIMENSIONS IN INCHES

CUSTODIAN
SIGNAL CORPS
PROCUREMENT SPECIFICATION
FORM

MILITARY STANDARD
PLUG, RETAINING, THREADED

MS 35135 (SIG C)
SHEET 1 OF 1

APPROVED 12 JUNE 1952 REVISED 16 November 1964