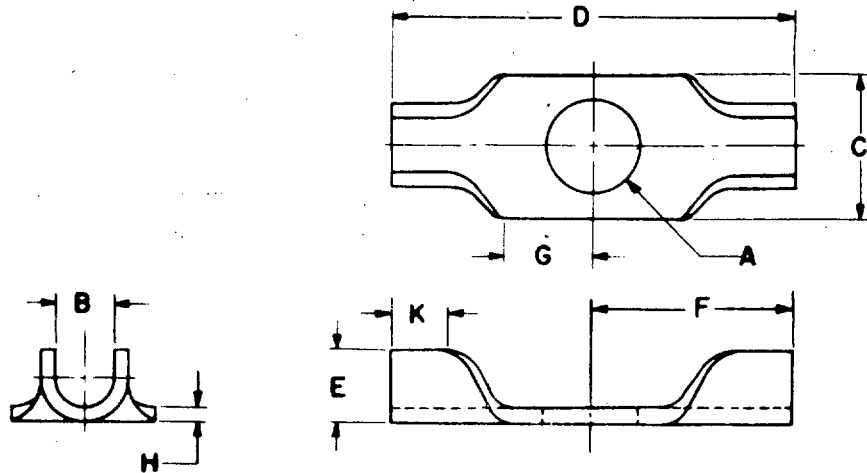
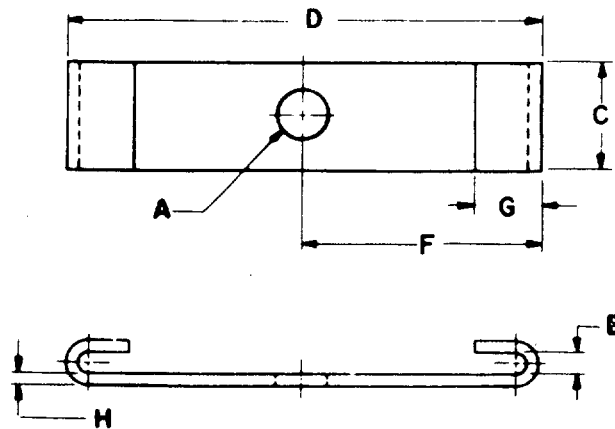


This document has been promulgated by the Department of Defense as the military standard to limit the selection of the item, product or design covered herein in engineering, design and procurement. This standard shall become effective not later than 90 days after the latest date of approval shown.

FED SUP CLASS
5940



DASH NO.	FIIN	WIRE SIZE AWG NOM	STUD SIZE	A HOLE DIA		B	C	D	E	F	G	H $\pm .003$	K
				MIN	MAX								
1	51-9366	8	10	.193	.205	1/8	5/16	7/8	3/16	7/16	3/16	.032	1/8



DASH NO.	FIIN	WIRE SIZE AWG NOM	STUD SIZE	A HOLE DIA		B	C	D	F	G	H $\pm .003$
				MIN	MAX						
2	51-9374	16	6	.141	.153	1/16	5/16	1-3/8	1/16	3/16	.032

MATERIAL: COPPER, ANNEALED - SPECIFICATION QQ-C-576

FINISH: HOT TIN DIP OR ELECTRODEPOSITED TIN ALL OVER, MINIMUM THICKNESS .0005 INCHES.

NOTES: 1. ALL DIMENSIONS IN INCHES. TOLERANCES: FRACTIONAL $\pm 1/64$ UNLESS OTHERWISE SPECIFIED.

2. REMOVE ALL BURRS.

3. REFERENCED DOCUMENTS OF ISSUE IN EFFECT ON DATE OF INVITATION FOR BIDS SHALL APPLY.

4. THE MS PART NUMBER CONSISTS OF THE MS NUMBER PLUS THE DASH NUMBER.

ORD SHIPS USAF

OTHER INT.
- S16 TB
- A Or Y

MILITARY STANDARD
TERMINAL LUG, SOLDER TYPE, COPPER
STAMPING, ONE HOLE, CENTER MOUNTING

MS 35433

MIL-T-15659

DD FORM 1 OCT 62 672-1

APPROVED 5 July 55 REVISED A 23 JULY 56