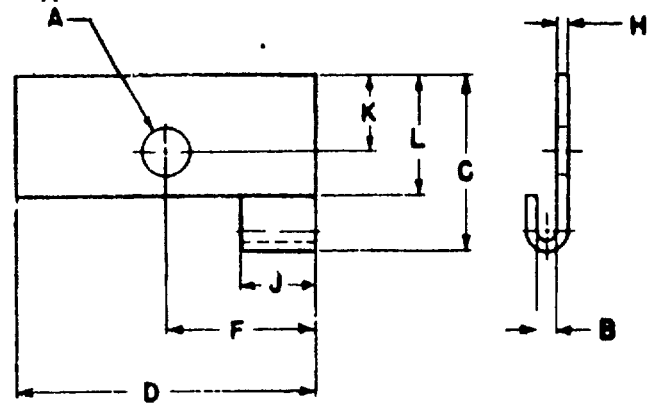


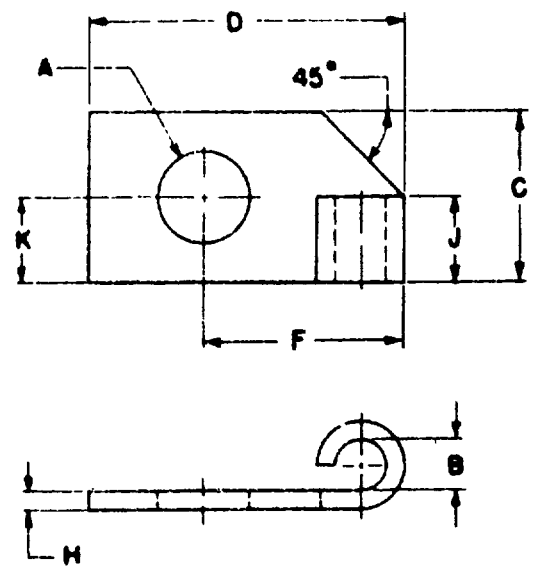
This document has been promulgated by the Department of Defense as the military standard to limit the selection of the item, product or design covered herein in engineering, design and procurement. This standard shall become effective not later than 90 days after the latest date of approval shown.

FED SUP CLASS
5940

This document has been promulgated by the Department of Defense as the military standard to limit the selection of the item, product or design covered herein in engineering, design and procurement. This standard shall become effective not later than 90 days after the latest date of approval shown.



DASH NO.	FIIN	WIRE SIZE AWG NOM	STUD SIZE	A HOLE DIA		B	C	D	F	H	J	K	L
				MIN	MAX								
1	151-9367	16	6	141	153	1/16	1/2	7/8	7/16	±.003 .032	7/32	7/32	11/32



DASH NO.	FIIN	WIRE SIZE AWG NOM	STUD SIZE	A HOLE DIA		B	C	D	F	H	J	K
				MIN	MAX							
2	151-9362	10	10	193	205	7/64	3/8	11/16	7/16	±.003 040	3/16	3/16

CUSTOMERS
 ORD
 SHIPS
 USAF

OTHER INT.
 I-SIG T
 I-A OR Y
 W-

MILITARY STANDARD
TERMINAL LUG, SOLDER TYPE,
COPPER STAMPING, ONE HOLE, FLAG

MS 35434

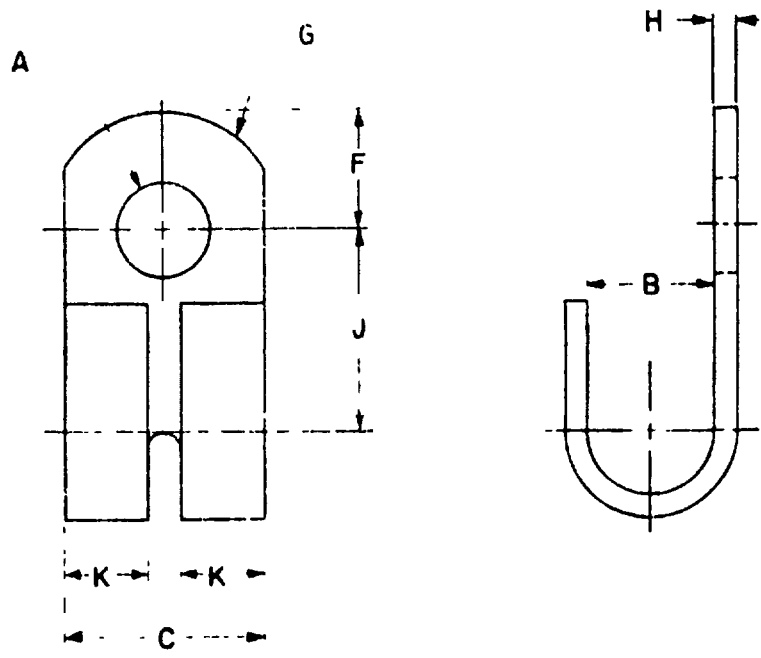
IDENTIFICATION
 MII-T-15659
 RA 372.1

SUPERSEDES:

SHEET 1 OF 3

APPROVED 5 JULY 55
 REVISED A 23 JULY 56

FED SUP CLASS
5940



DASH NO.	FIN	WIRE SIZE AWG NOM	STUD SIZE	A HOLE DIA		B	C	F	G	H ±.003	J	K	
				MIN	MAX								
3			8	.167	.179				7/32		1/4		
4		12-16	10	.193	.205	7/64	3/8	3/16	3/8	.040	3/8	1/8	
5			12	.221	.234				7/32				1/4
6		8-10	10	.193	.205	5/32							11/32
7			1/4	.258	.285	5/8	3/8		.062	5/8	17/64		
8			3/8	.383	.410	13/32					27/32		
9	020-0379	1	1/2	.510	.537	7/8	1/2	1/2	.102		7/8	23/64	
10		00-0	3/8	.383	.410	17/32							
11	020-0377		1/2	.510	.537	15/32							

MATERIAL: COPPER, ANNEALED - SPECIFICATION QQ-C-576.

FINISH: HOT TIN DIP OR ELECTRODEPOSITED TIN ALL OVER, MINIMUM THICKNESS .0005 INCHES.

NOTES: 1. ALL DIMENSIONS IN INCHES. TOLERANCES FRACTIONAL ±1/64 UNLESS OTHERWISE SPECIFIED.

2. REMOVE ALL BURRS.

3. REFERENCED DOCUMENTS OF ISSUE IN EFFECT ON DATE OF INVITATION FOR BIDS SHALL APPLY.

4. THE MS PART NUMBER CONSISTS OF THE MS NUMBER PLUS THE DASH NUMBER.

CUSTOMERS ORD SYND USAF	OTHER INT -S M T E N-A OR Y M-	MILITARY STANDARD		MS 35434
		TERMINAL LUG SOLDER TYPE, COPPER STAMPING, ONE HOLE, FLAG		
PROCUREMENT SPECIFICATION MIL-T-15659		SUPPLEMENT:		SHEET 3 OF 3

NOTICE: See Government drawings, specifications, or other data, etc. used for any purpose other than in connection with a definitely related Government procurement, prior to the use of this drawing, to insure that the drawing is not obsolete, and that the Government may have furnished the drawing in its original form. It is the responsibility of the contractor to determine the applicability of this drawing to his work.

APPROVED 5 JULY 56 REVISION A 23 JULY 56