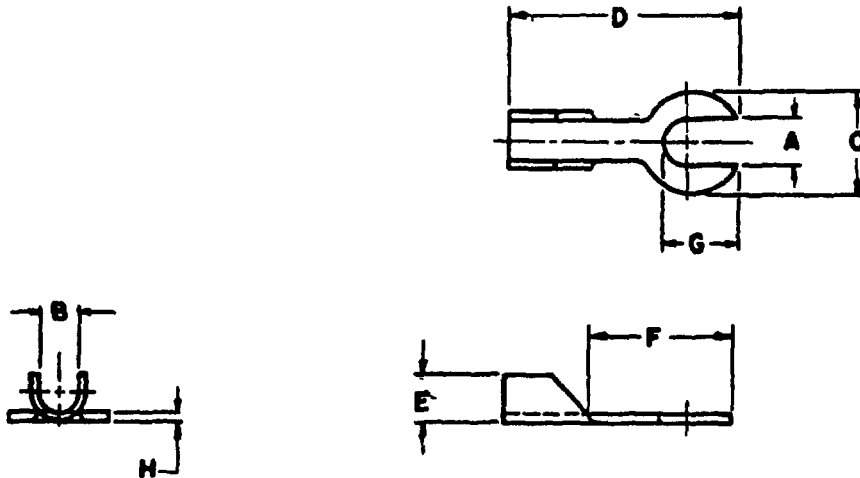


FED SUP CLASS

5940

This document has been promulgated by the Department of Defense as the military standard to limit the selection of the item, product or design covered herein in engineering, design and procurement. This standard shall become effective not later than 90 days after the latest date of approval shown.



DASH NO.	FIN	WIRE SIZE AWG NOM	STUD SIZE	A		B	C	D	E	F	G	H
				MIN	MAX							
1		12	4	.115	.127	3/32	15/64	17/32	7/64	11/32	3/16	±.003 .018

MATERIAL: COPPER, ANNEALED - SPECIFICATION QQ-C-576.

FINISH: HOT TIN DIP OR ELECTRODEPOSITED TIN ALL OVER, MINIMUM THICKNESS .0005 INCHES.

- NOTES:**
1. ALL DIMENSIONS IN INCHES. TOLERANCES: FRACTIONAL $\pm 1/64$ UNLESS OTHERWISE SPECIFIED.
 2. REMOVE ALL BURRS.
 3. REFERENCED DOCUMENTS OF ISSUE IN EFFECT ON DATE OF INVITATION FOR BIDS SHALL APPLY.
 4. THE MS PART NUMBER CONSISTS OF THE MS NUMBER PLUS THE DASH NUMBER.

APPROVED 5 JULY 55 REVISED A 23 JULY 56

CUSTOMERS: One Supp USAF	OTHER INT. I-SWET I-A ONY M-	MILITARY STANDARD TERMINAL, LUG, SOLDER TYPE, COPPER STAMPING, SLOTTED		MS 35443
		PROCEDURE SPECIFICATION ML-T-15059	SUPERSEDES:	

DD FORM 1 OCT 55 672-1.

NOTICE: When Government drawings, specifications, or other data are used for any purpose other than in connection with a definitely related Government procurement operation, the United States Government thereby incurs no responsibility, and the fact that the Government may have furnished or in any way supplied the said drawings, specifications, or other data shall not be construed as an authorization of any other person or corporation, or conveying any rights or permission to manufacture or use of any patented invention that may in any way be related thereto.