

USER ACTIVITIES  
ARMY-ER

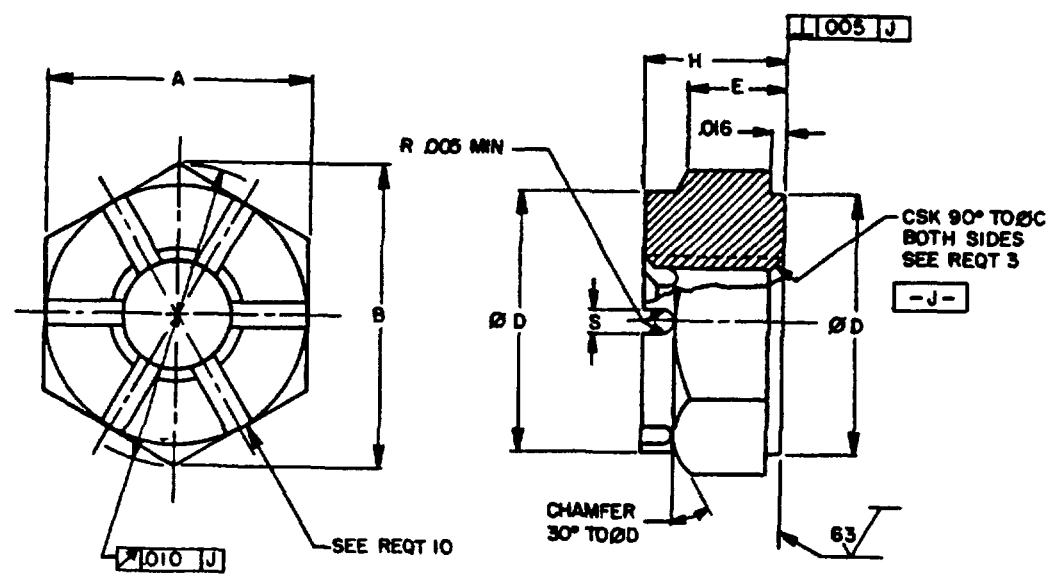


TABLE 1 DASH NUMBER AND DIMENSIONS.

DASH NUMBER	THREAD UNIF-3B	A		R	Ø C 2/	Ø D	F	H	G		APPROX WEIGHT (LB)
		MIN	MAX						MIN	MAX	
-08	.104-36	.330	.345	.383	.174	.344	.125	.219	.073	.080	.52
-09	.190-32	.430	.470	.470	.200	.375	.150	.750	.173	.180	.50
-10	.250-28	.430	.470	.470	.200	.438	.180	.280	.173	.180	.84
-11	.3125-24	.492	.502	.501	.322	.500	.234	.328	.073	.080	1.25
-12	.375-24	.553	.564	.563	.385	.562	.281	.406	.115	.125	.73
-13	.4375-20	.670	.680	.675	.448	.688	.328	.454	.115	.125	3.12
-14	.500-20	.74	.752	.740	.510	.750	.375	.502	.115	.125	4.32
-15	.5625-18	.865	.877	.877	.572	.875	.422	.610	.140	.150	7.36
-16	.625-18	.928	.940	1.050	.645	.938	.468	.718	.140	.150	8.50
-17	.750-16	1.052	1.064	1.200	.760	1.160	.502	.812	.140	.150	11.80
-18	.875-14	1.230	1.252	1.414	.885	1.250	.650	.906	.140	.150	15.90
-19	1.000-12	1.420	1.440	1.628	1.000	1.438	.750	1.000	.140	.150	28.57

1/ THIS DIMENSION LOCATES BOTTOM OF SLOTS AND EXTERNAL CHAMFER  
2/ FOR SIZES .3125-24 AND SMALLER DRILL .00" DIAMETER FROM SLOTTED SIDE TO DEPTH OF SLOT

ENTIRE STANDARD REVISED

DISTRIBUTION STATEMENT A Approved for public release; distribution is unlimited  
This military standard is approved for use by all Departments and Agencies of the Department of Defense  
Selection for all new engineering and design applications and for repetitive use shall be made from this document when applicable.

REVERSE ACTIVITIES  
ARMY-MI  
AIR FORCE-82, 85  
DLA-1S

APPROVED 26 JUN 63 REVISED 27 MAY 68 17 JUN 68

NAVY-AS Other Code ARMY-AV	INTERNATIONAL INTEREST	TITLE NUT, CASTELLATED, HEXAGON-A-286, SILVER PLATED	MILITARY STANDARD MS9359
PROCUREMENT SPECIFICATION NONE	SUPERSEDED	PAGE 1 OF 2	

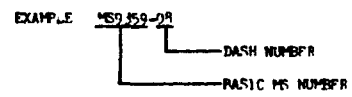
USER ACTIVITIES:  
ARMY-ER

REVIEWER ACTIVITIES:  
ARMY-MI  
AIR FORCE-82,85  
DLA-IS

This military standard is approved for use by all Departments and Agencies of the Department of Defense. Solicitation for all new engineering and design applications and for repetitive use shall be made from this document, when applicable.

REQUIREMENTS:

1. MATERIAL: CORROSION AND HEAT RESISTANT STEEL IN ACCORDANCE WITH AMS 5732 OR AMS 5737
2. FINISH: SILVER PLATE IN ACCORDANCE WITH AMS 2410, .0002-.0006 THICK AT THREAD PD. DIMENSIONS SPECIFIED ARE AFTER PLATING.
3. THREADS: THREADS IN ACCORDANCE WITH MIL-S-9879.
4. DIMENSIONING AND TOLERANCING: DIMENSIONING AND TOLERANCING SHALL BE IN ACCORDANCE WITH ANSI Y14.5M.
5. SURFACE TEXTURE: SURFACE TEXTURE, UNLESS OTHERWISE SPECIFIED, SHALL BE 125 MICROINCHES EXCEPT HEXAGON FACES IN ACCORDANCE WITH ANSI B46.1.
6. FLOUORESCENT PENETRANT INSPECTION: FLOUORESCENT PENETRANT INSPECTION SHALL BE IN ACCORDANCE WITH AMS 2645-RJ BEFORE PLATING
7. MARKING: MARK PART NUMBER AND MANUFACTURER'S IDENTIFICATION IN ACCORDANCE WITH AS 478-79, CLASS C. MULTIPLE MARKING OF BAR STOCK IS PERMISSIBLE PROVIDED POSITIVE IDENTIFICATION IS SHOWN. PARTS SHALL BE MARKED BEFORE THREADING. DASH NUMBERS MAY APPEAR ON ADJACENT FLATS.
8. TOLERANCES: UNLESS OTHERWISE SPECIFIED, TOLERANCES SHALL BE FOR LINEAR DIMENSIONS  $\pm .010$ , ANGULAR DIMENSIONS  $\pm 5^\circ$ .
9. EDGES: BREAK SHARP EDGES .003-.015 UNLESS OTHERWISE SPECIFIED
10. OPPOSITE SLOTS: OPPOSITE SLOTS SHALL COINCIDE WITHIN .005 AND SLOT AXIS SHALL BE WITHIN .005 OF THREADED AXIS
11. PART NUMBER: THE PART NUMBER SHALL CONSIST OF THE BASIC MS NUMBER FOLLOWED BY A DASH NUMBER FROM TABLE 1



MS9359-09 INDICATES NUT, CASTELLATED HEXAGON - A-286, SILVER PLATED; .104-36 UNF-3B

NOTES:

1. ALL DIMENSIONS ARE IN INCHES
2. DO NOT USE UNASSIGNED PART NUMBERS
3. IN THE EVENT OF A CONFLICT BETWEEN THE TEXT OF THIS STANDARD AND THE REFERENCES CITED HEREIN, THE TEXT OF THIS STANDARD SHALL TAKE PRECEDENCE
4. REFERENCED GOVERNMENT (OR NONGOVERNMENT) DOCUMENTS OF THE ISSUE LISTED IN THE ISSUING OF THE DEPARTMENT OF DEFENSE INDEX OF SPECIFICATIONS AND STANDARDS (DODS) SPECIFIED IN THE SOLICITATION FORM A PART OF THIS STANDARD TO THE EXTENT SPECIFIED HEREIN
5. THIS STANDARD WAS DEVELOPED COOPERATIVELY WITH THE SAE AEROSPACE PRODUCTION DIVISION
6. AS AND AMS ARE SAE PUBLICATIONS.
7. CERTAIN PROVISIONS (LIMITS OF SIZE FOR ACROSS-FLAT DIMENSIONS) OF THIS STANDARD ARE THE SUBJECT OF INTERNATIONAL STANDARDIZATION AGREEMENT ASCC AIR STD 172. WHEN REVISION OR CANCELLATION OF THIS STANDARD IS PROPOSED, THE DEPARTMENTAL CUSTODIAN WILL INFORM THEIR RESPECTIVE DEPARTMENTAL STANDARDIZATION OFFICE SO THAT APPROPRIATE ACTION MAY BE TAKEN RESPECTING THE INTERNATIONAL AGREEMENT CONCERNED.

APPROVED 26 JUN 63 REVISED (B) FOR CHANGES SEE PAGE 1 AND 2

P A NAVY-AS Other Cont ARMY-AV	INTERNATIONAL INTEREST	TITLE <b>NUT, CASTELLATED HEXAGON-          A-286, SILVER PLATED</b>	<b>MILITARY STANDARD</b>
			<b>MS9359</b>
PROCUREMENT SPECIFICATION <b>NONE</b>	SUPERSEDED	PAGE 2 OF 2	