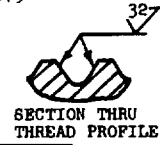
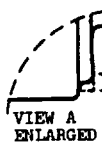
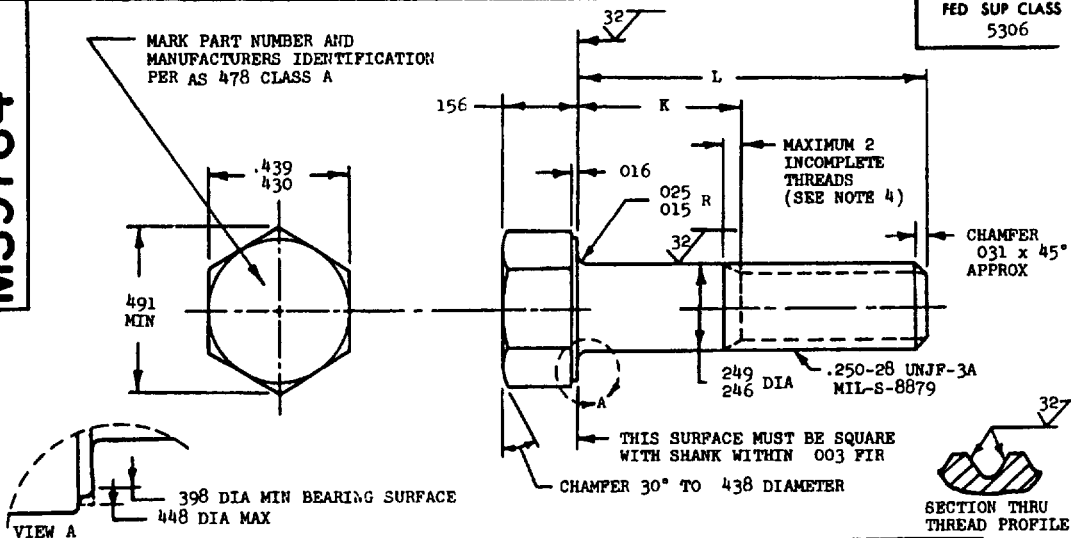


**MS9784**

FED SUP CLASS  
5306

MARK PART NUMBER AND  
MANUFACTURERS IDENTIFICATION  
PER AS 478 CLASS A



PART NUMBER	L	K	APPROX WEIGHT LB/100	PART NUMBER	L	K	APPROX WEIGHT LB/100
MS9784-13	938	128-188	1.99	MS9784-36	2.750	1.940-2.000	4.45
MS9784-14	1.000	190-250	2.08	MS9784-37	2.875	2.065-2.125	4.62
MS9784-15	1.062	252-312	2.16	MS9784-38	3.000	2.190-2.250	4.79
MS9784-16	1.125	315-375	2.25	MS9784-39	3.125	2.315-2.375	4.96
MS9784-17	1.188	378-438	2.33	MS9784-40	3.250	2.440-2.500	5.13
MS9784-18	1.250	440-500	2.42	MS9784-41	3.375	2.565-2.625	5.29
MS9784-19	1.312	502-562	2.49	MS9784-42	3.500	2.690-2.750	5.47
MS9784-20	1.375	565-625	2.58	MS9784-43	3.625	2.815-2.875	5.64
MS9784-21	1.438	628-688	2.67	MS9784-44	3.750	2.940-3.000	5.81
MS9784-22	1.500	690-750	2.75	MS9784-45	3.875	3.065-3.125	5.98
MS9784-23	1.562	752-812	2.84	MS9784-46	4.000	3.190-3.250	6.14
MS9784-24	1.625	815-875	2.93	MS9784-47	4.125	3.315-3.375	6.32
MS9784-25	1.688	878-938	3.01	MS9784-48	4.250	3.440-3.500	6.49
MS9784-26	1.750	940-1.000	3.10	MS9784-49	4.375	3.565-3.625	6.66
MS9784-27	1.812	1.002-1.062	3.18	MS9784-50	4.500	3.690-3.750	6.82
MS9784-28	1.875	1.065-1.125	3.26	MS9784-51	4.625	3.815-3.875	6.99
MS9784-29	1.938	1.128-1.188	3.34	MS9784-52	4.750	3.940-4.000	7.17
MS9784-30	2.000	1.190-1.250	3.43	MS9784-53	4.875	4.065-4.125	7.34
MS9784-31	2.125	1.315-1.375	3.60	MS9784-54	5.000	4.190-4.250	7.50
MS9784-32	2.250	1.440-1.500	3.77	MS9784-55	5.125	4.315-4.375	7.67
MS9784-33	2.375	1.565-1.625	3.94	MS9784-56	5.250	4.440-4.500	7.84
MS9784-34	2.500	1.690-1.750	4.11	MS9784-57	5.375	4.565-4.625	8.02
MS9784-35	2.625	1.815-1.875	4.28	MS9784-58	5.500	4.690-4.750	8.18
				MS9784-59	5.625	4.815-4.875	8.35
				MS9784-60	5.750	4.940-5.000	8.49
				MS9784-61	5.875	5.065-5.125	8.66
				MS9784-62	6.000	5.190-5.250	8.82

- 1 SHANK SHALL BE STRAIGHT WITHIN .003 TOTAL PER INCH OF BOLT LENGTH
- 2 THE CONCENTRICITY OF THREAD PD IN RELATION TO THE SHANK SHALL BE WITHIN .006 FIR
- 3 THE CONCENTRICITY OF THE SHANK IN RELATION TO THE WASHER FACE DIAMETER AND HEXAGON SHALL BE WITHIN .013 FIR
4. INCOMPLETE THREADS NOT TO ENTER FILLET
- 5 MATERIAL. CORROSION RESISTANT STEEL AMS 5643
- 6 HARDNESS. ROCKWELL C32-38
- 7 MANUFACTURING SPECIFICATION. AMS 7474
8. FLUORESCENT PENETRANT INSPECTION PER AMS 2645
- 9 SURFACE TEXTURE USAS B46 1-1962 UNLESS OTHERWISE SPECIFIED, SURFACES TO BE 125 MICROINCHES EXCEPT UPSET HEAD
10. BREAK SHARP EDGES .003- .015 UNLESS OTHERWISE SPECIFIED
11. DIMENSIONS IN INCHES UNLESS OTHERWISE SPECIFIED, TOLERANCES. LINEAR DIMENSIONS ± .010, ANGULAR DIMENSIONS ±5°
- 12 DO NOT USE UNASSIGNED PART NUMBERS

AS & AMS ARE SOCIETY OF AUTOMOTIVE ENGINEERS, INC PUBLICATIONS  
THIS STANDARD WAS DEVELOPED COOPERATIVELY WITH THE MILITARY SERVICES BY THE SAE AEROSPACE PART STANDARDS DIV.

P.A USAF-II	INTERNATIONAL INTEREST	TITLE	MILITARY STANDARD
Other Cust ARMY-AV NAVY-AS	ASCO AIR STD 17/2	BOLT, MACHINE - HEXAGON HEAD, FULL SHANK, AMS 5643, 250-28 UNJF-3A	<b>MS9784</b>
PROCUREMENT SPECIFICATION NONE	SUPERSEDES:		SHEET 1 OF 1

This military standard is approved by the Department of Defense and is necessary for all activities. Selection for all new engineering and design applications and for repetitive use shall be made from this document.

APPROVED 11 MAR 70 REVISED